



US00D858329S

(12) **United States Design Patent**
Takimoto

(10) **Patent No.:** **US D858,329 S**

(45) **Date of Patent:** **** *Sep. 3, 2019**

(54) **PRESSURE DETECTOR**

FOREIGN PATENT DOCUMENTS

(71) Applicant: **SAGINOMIYA SEISAKUSHO, INC.**,
Tokyo (JP)

JP 1486623 S 12/2013
KR 30-0913697-0002 S 7/2017

(72) Inventor: **Kazuya Takimoto**, Sayama (JP)

* cited by examiner

(73) Assignee: **SAGINOMIYA SEISAKUSHO, INC.**,
Tokyo (JP)

Primary Examiner — Antoine Duval Davis

(*) Notice: This patent is subject to a terminal disclaimer.

(74) *Attorney, Agent, or Firm* — Studebaker & Brackett
PC

(**) Term: **15 Years**

(57) **CLAIM**

(21) Appl. No.: **29/639,453**

The ornamental design for a pressure detector, as shown and described.

(22) Filed: **Mar. 6, 2018**

(30) **Foreign Application Priority Data**

DESCRIPTION

Sep. 8, 2017 (JP) 2017-019531

(51) **LOC (12) Cl.** **10-04**

(52) **U.S. Cl.**
USPC **D10/85**

(58) **Field of Classification Search**
USPC D10/85
CPC ... G01L 19/069; G01L 19/14; G01L 19/0046;
G01L 19/147; G01L 19/0645
See application file for complete search history.

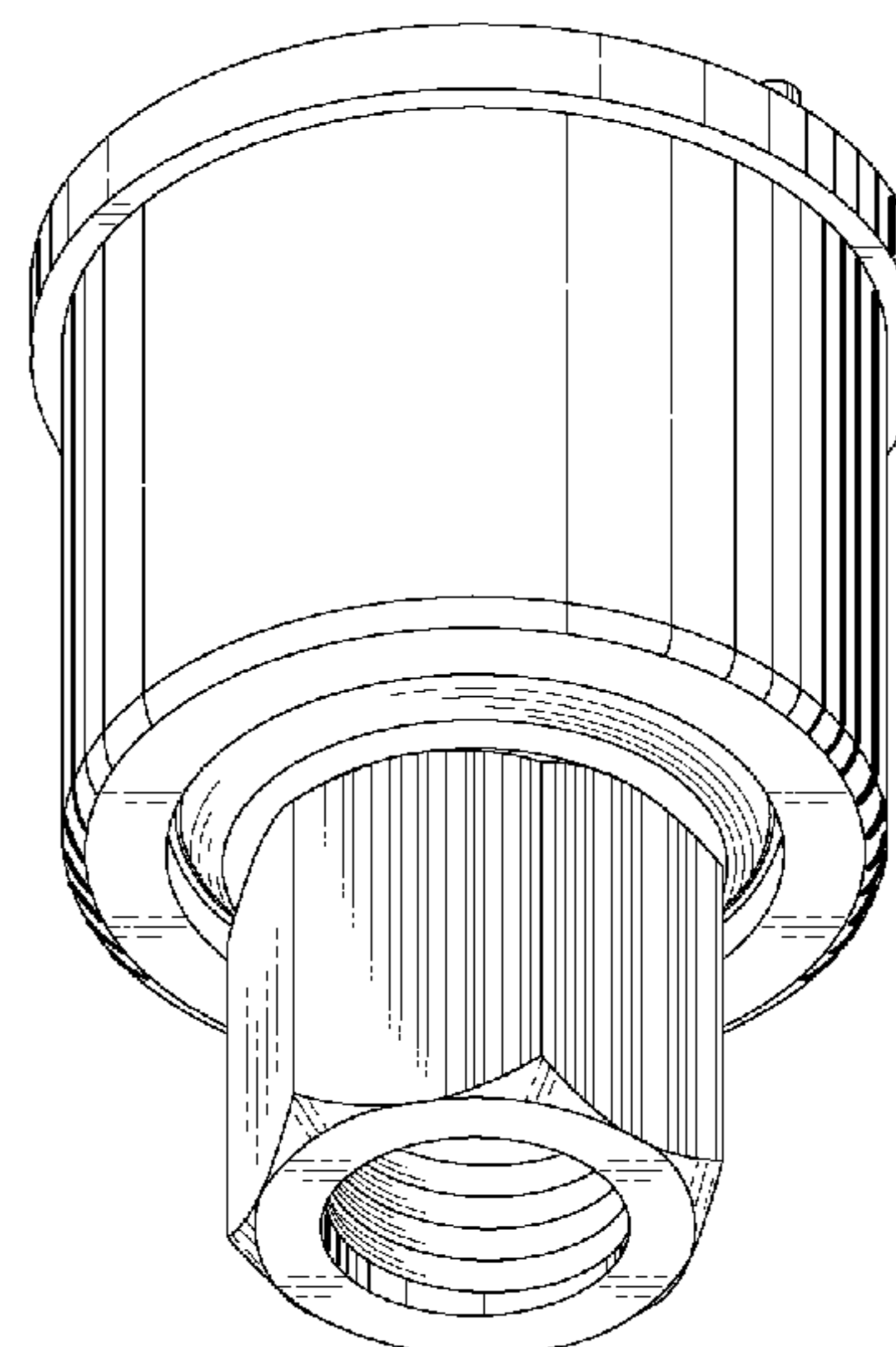
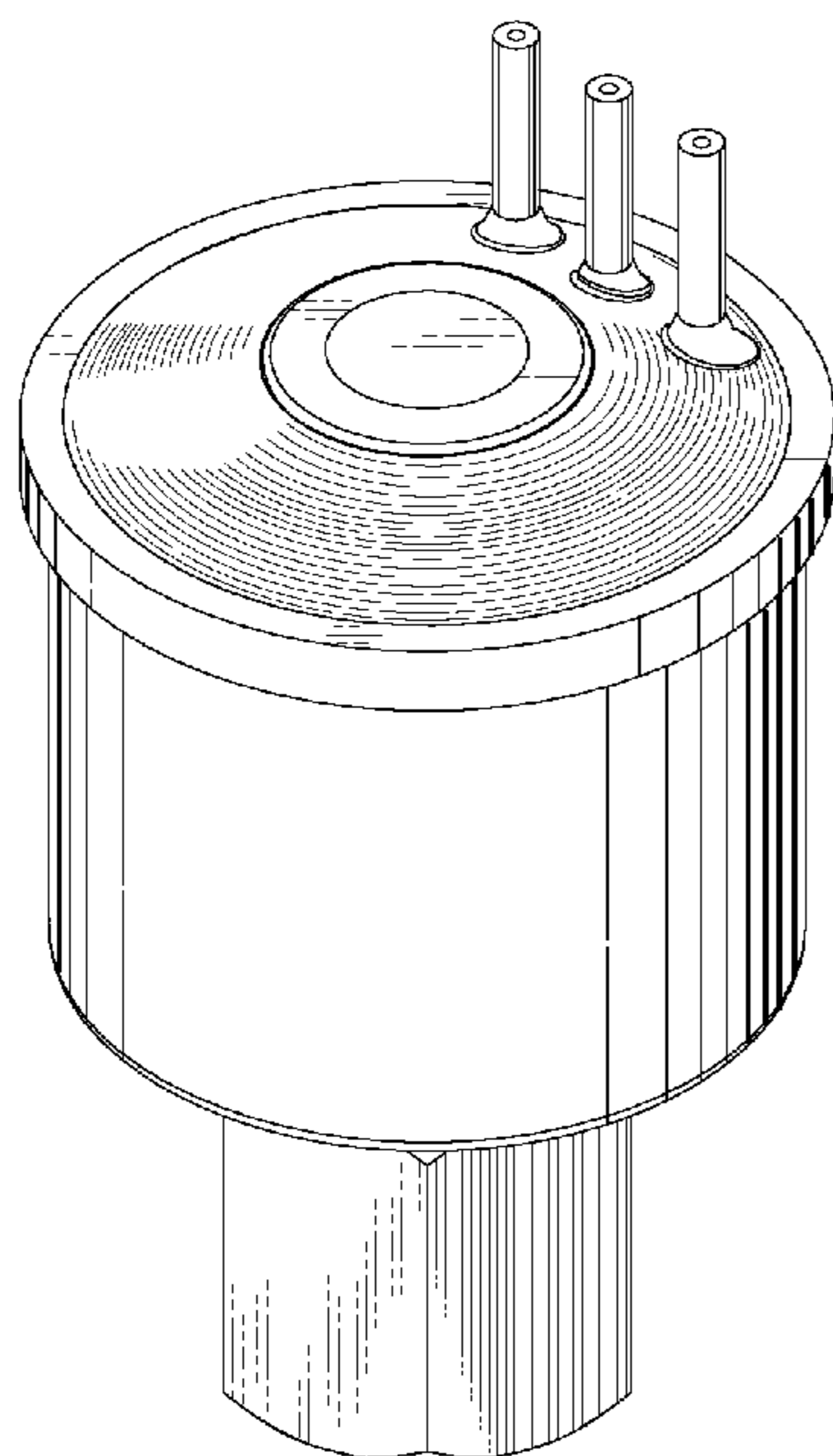
FIG. 1 is a front view of a pressure detector showing my new design;
FIG. 2 is a rear view thereof;
FIG. 3 is a left side view thereof;
FIG. 4 is a right side view thereof;
FIG. 5 is a top plan view thereof;
FIG. 6 is a bottom view thereof;
FIG. 7 is a top, front, right side perspective view thereof;
and,
FIG. 8 is a bottom, front, right side perspective view thereof.
This article is a pressure detector mainly used for a refrigerating machine, a cooling and heating machine, etc. From the top of this article, three electric wires are pulled out.

(56) **References Cited**

U.S. PATENT DOCUMENTS

D815,965 S * 4/2018 Takimoto D10/85

1 Claim, 8 Drawing Sheets



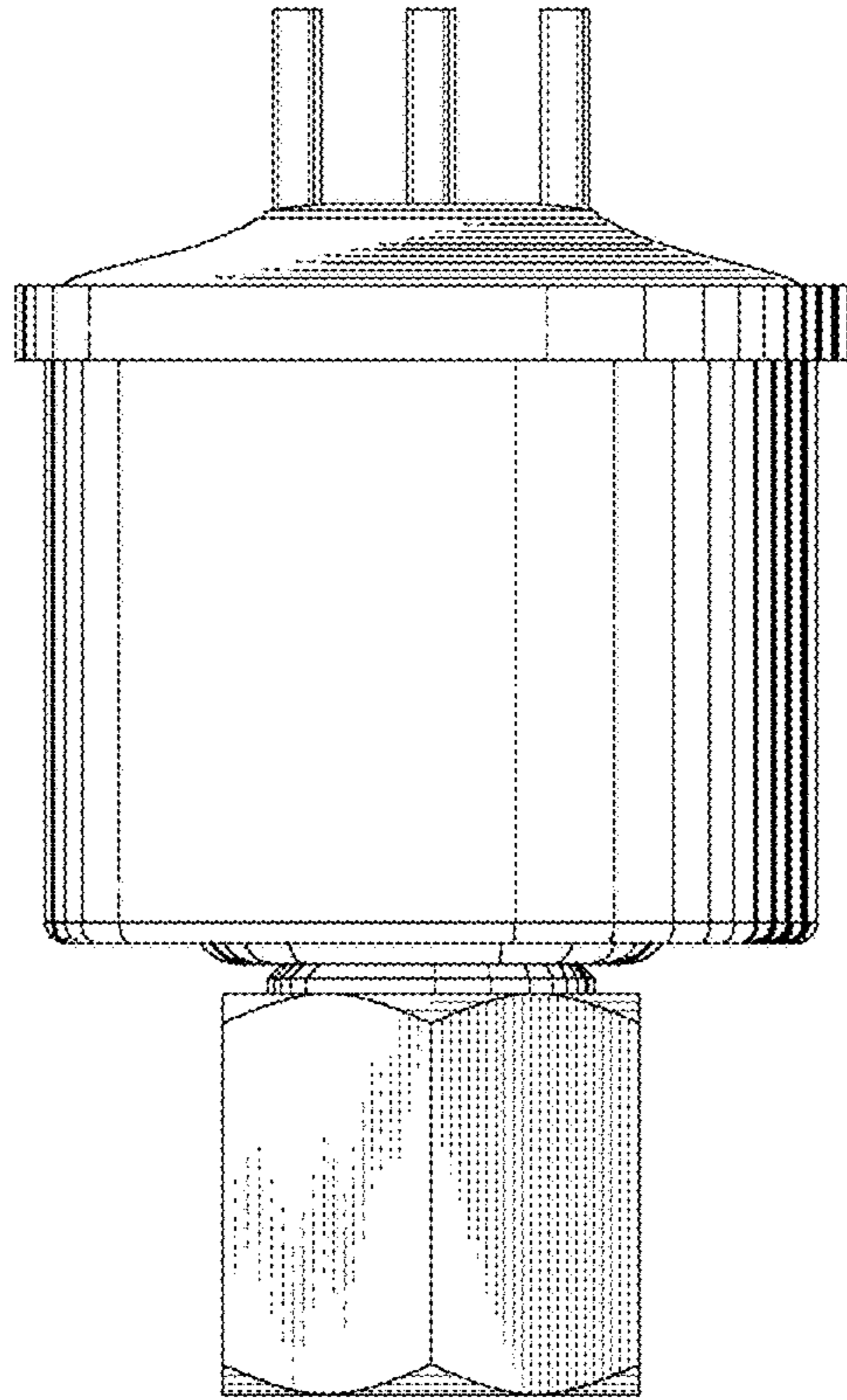


FIG. 1

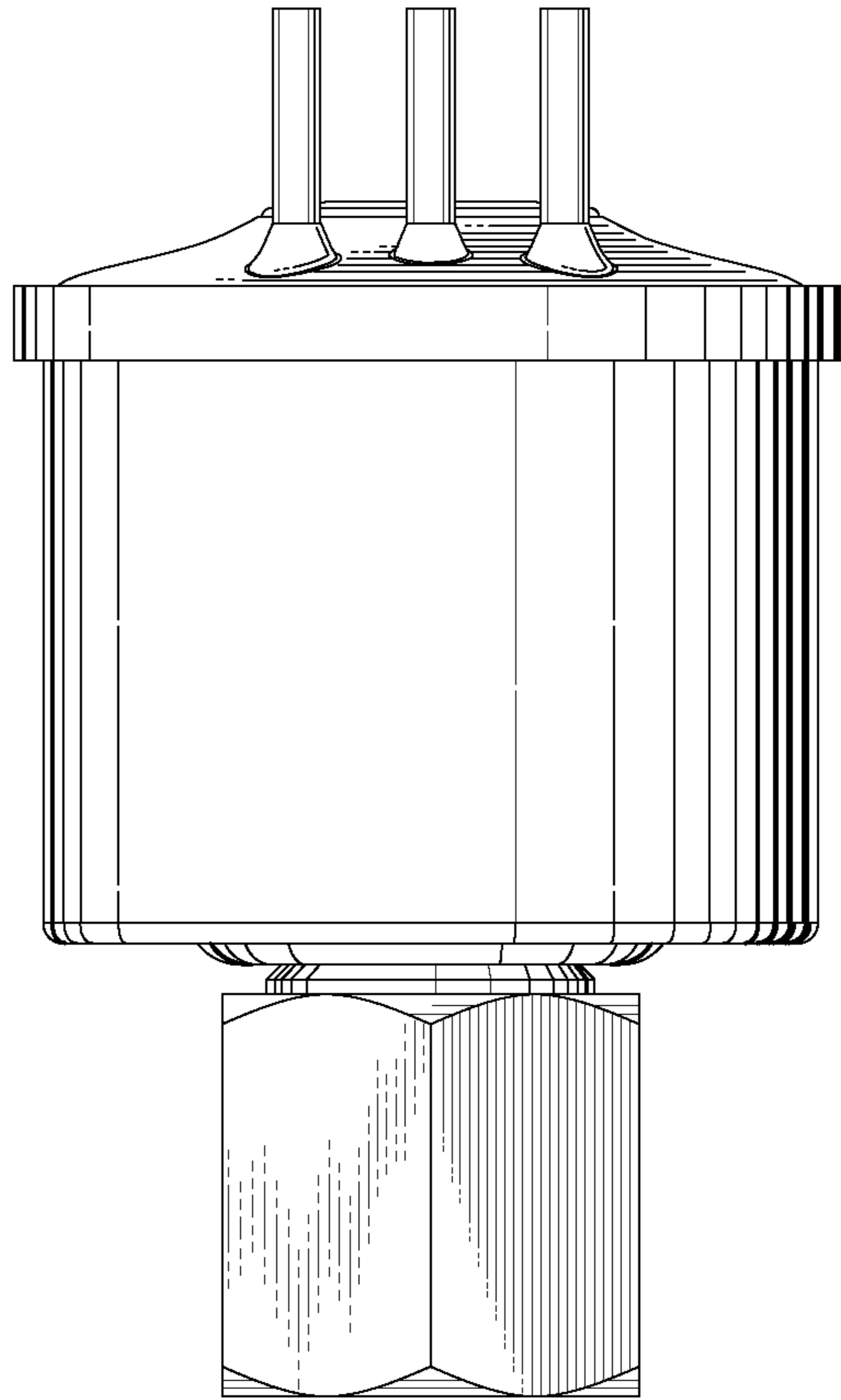


FIG. 2

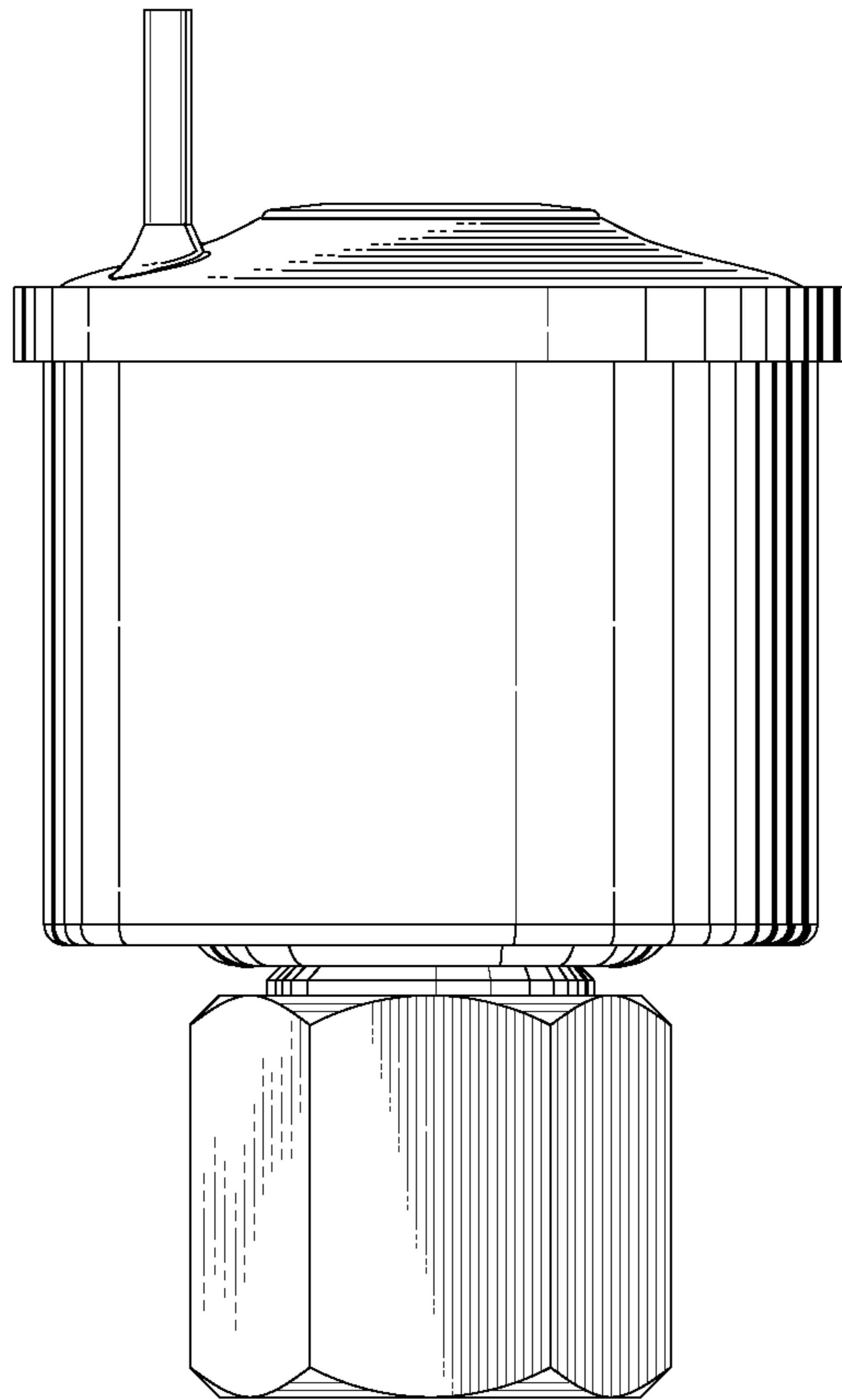


FIG. 3

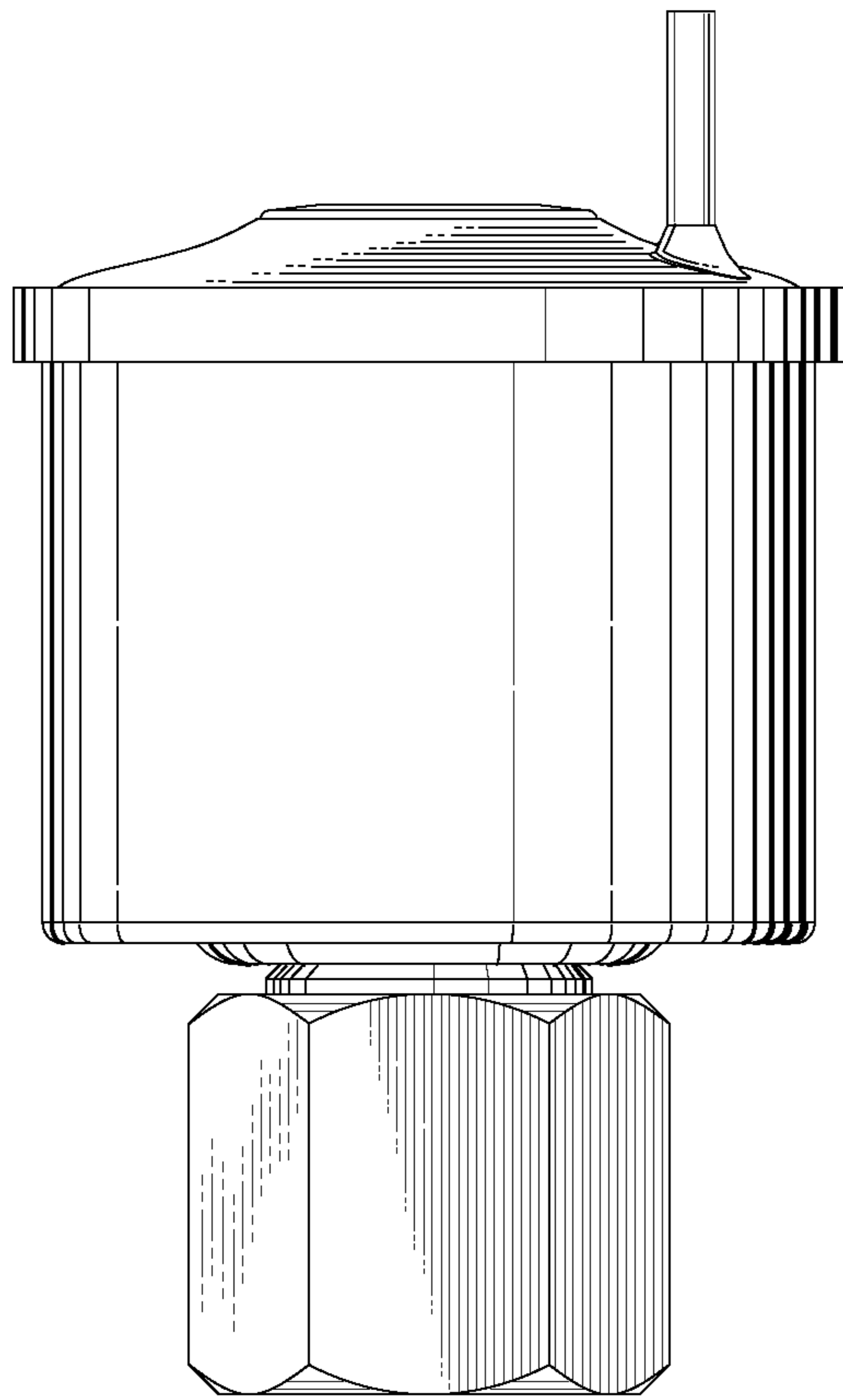


FIG. 4

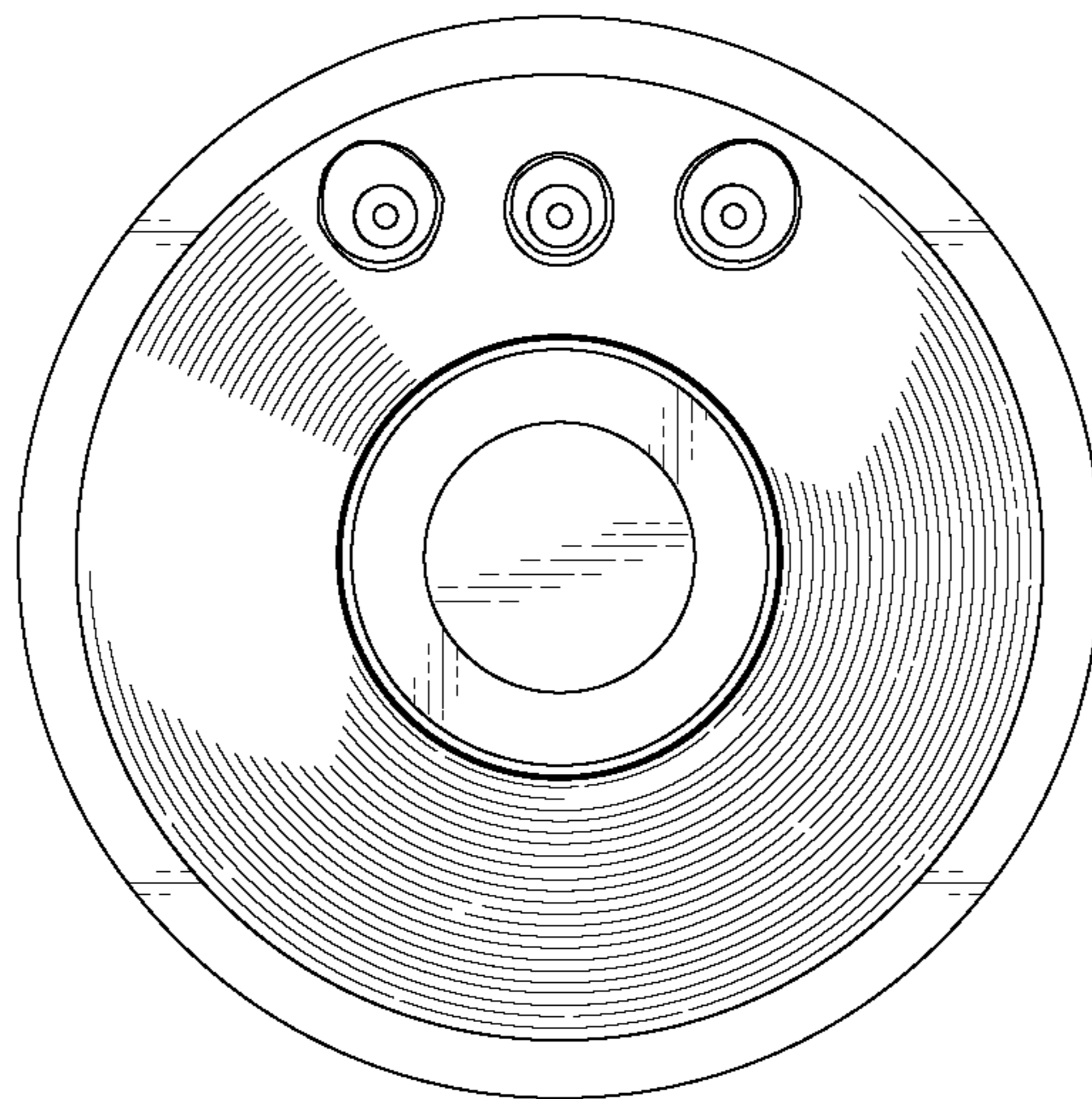


FIG. 5

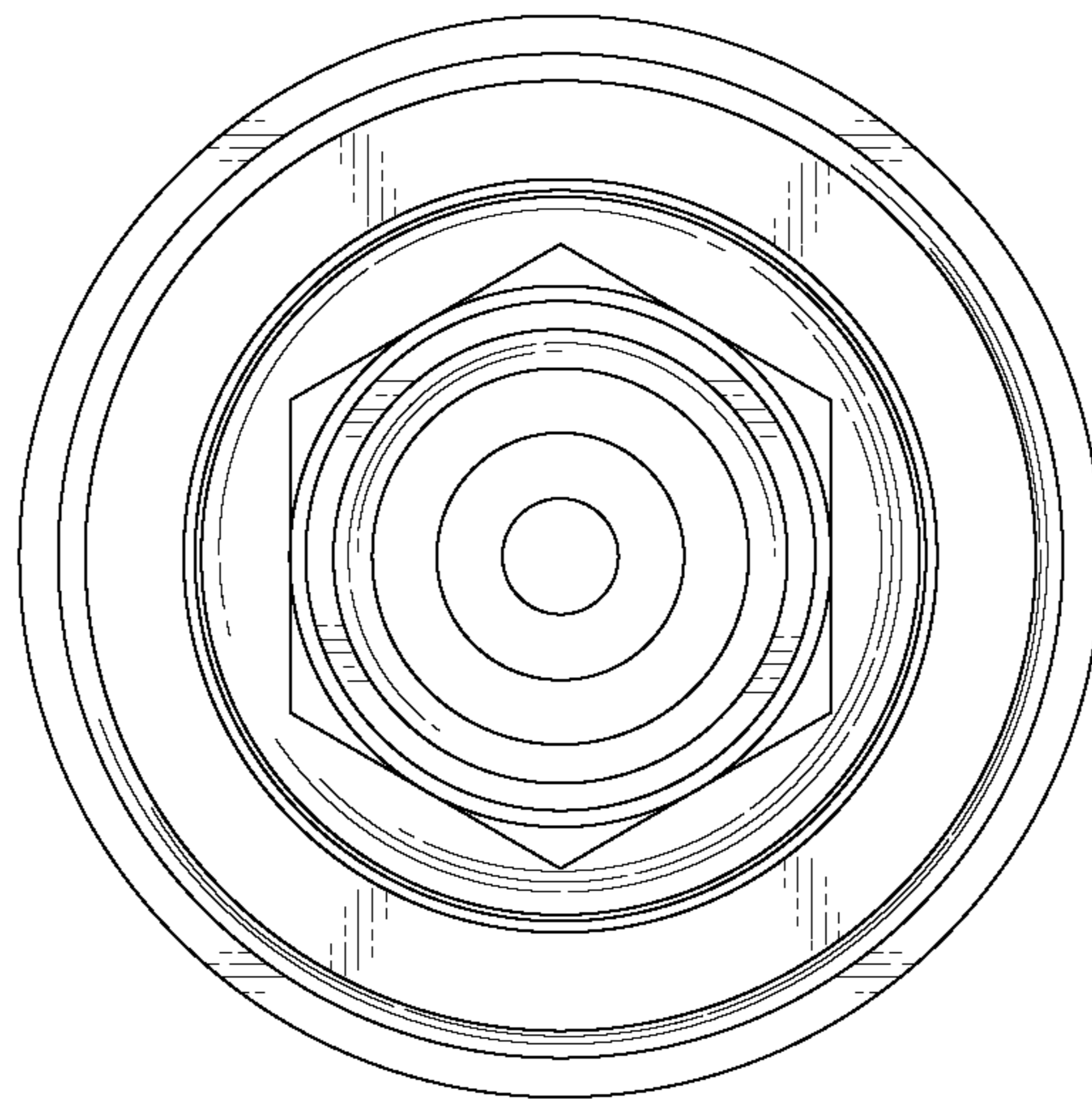


FIG. 6

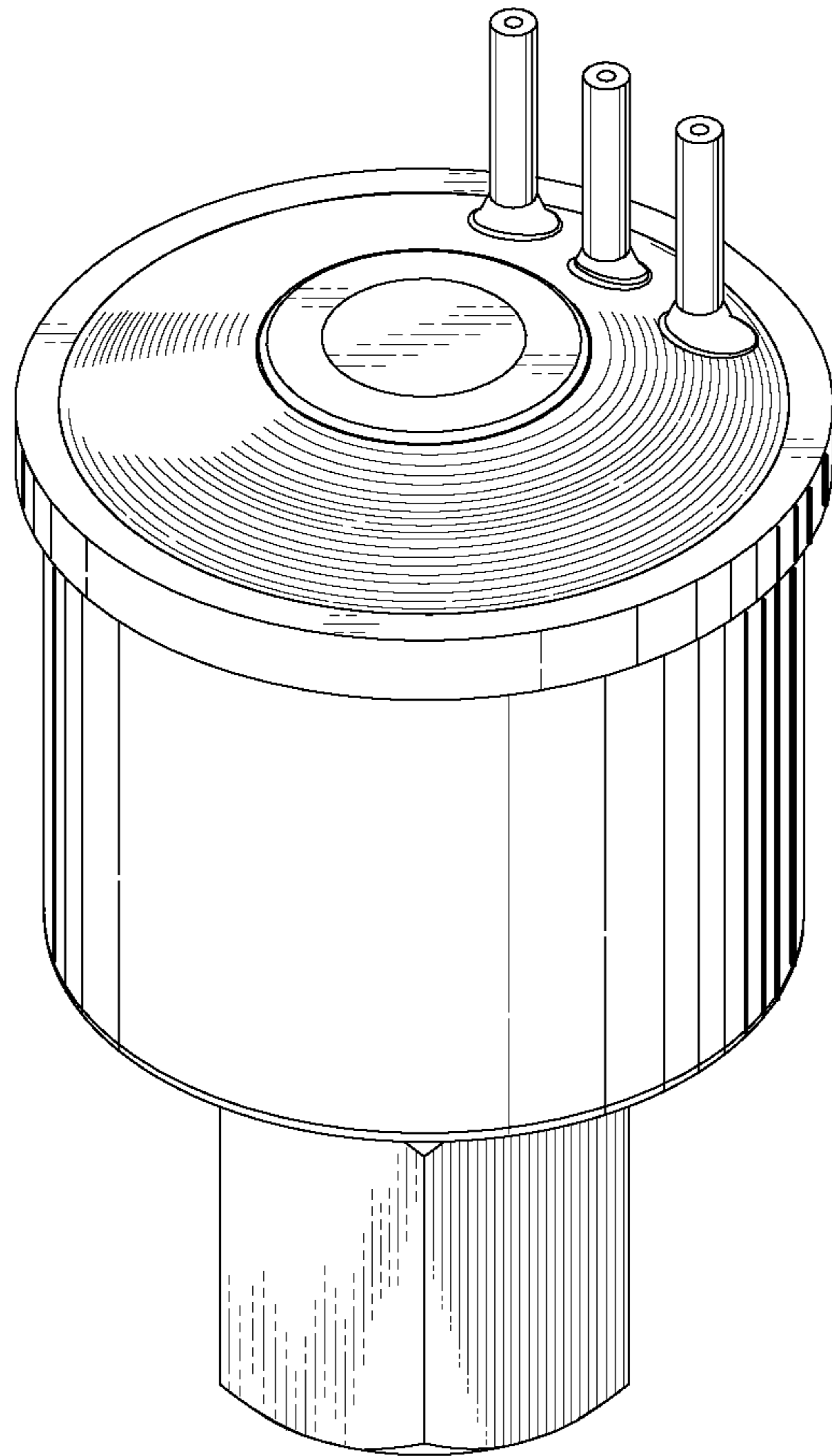


FIG. 7

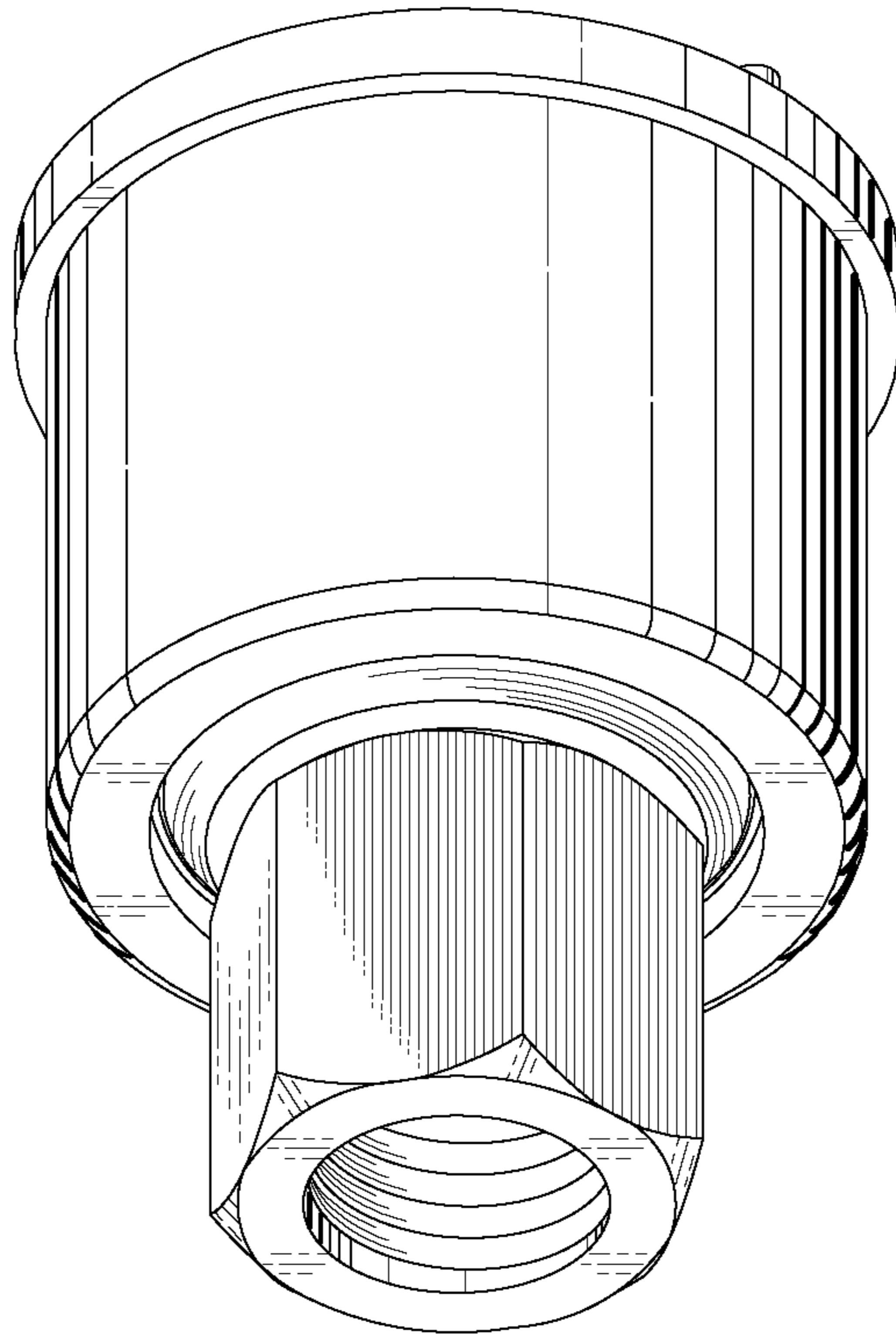


FIG. 8