



US00D858326S

(12) **United States Design Patent** (10) **Patent No.:** **US D858,326 S**
Shultz et al. (45) **Date of Patent:** **** Sep. 3, 2019**

(54) **PLUG FORCE TESTER**

(57) **CLAIM**

(71) Applicant: **Innovative Electrical Design, Inc.**,
Plattsburgh, NY (US)

The ornamental design for a plug force tester, as shown and described.

(72) Inventors: **Preston Shultz**, Woodstock, CT (US);
Kevin Crowl, Keene, NY (US)

DESCRIPTION

(73) Assignee: **Innovative Electrical Design, Inc.**,
Plattsburgh, NY (US)

(**) Term: **15 Years**

(21) Appl. No.: **29/633,219**

(22) Filed: **Jan. 12, 2018**

(51) **LOC (12) Cl.** **10-04**

(52) **U.S. Cl.**
USPC **D10/78**

(58) **Field of Classification Search**
USPC D10/46, 75, 78
CPC G01R 27/025; G01R 31/041; G01R 31/04;
G01R 31/045

See application file for complete search history.

FIG. 1 is a perspective view of an embodiment of a plug force tester, showing our new design;
FIG. 2 is a front view thereof;
FIG. 3 is a rear view thereof;
FIG. 4 is a side view thereof;
FIG. 5 is a second side view thereof;
FIG. 6 is a top view thereof;
FIG. 7 is a bottom view thereof;
FIG. 8 is a further perspective view showing additional, optional features for a design of a plug force tester;
FIG. 9 is a further front view thereof showing additional, optional features;
FIG. 10 is a further rear view thereof showing additional, optional features;
FIG. 11 is a further side view thereof showing additional, optional features;
FIG. 12 is a further second side view thereof showing additional, optional features;
FIG. 13 is a further top view thereof showing additional, optional features; and,
FIG. 14 is a further bottom view thereof showing additional, optional features.

(56) **References Cited**

U.S. PATENT DOCUMENTS

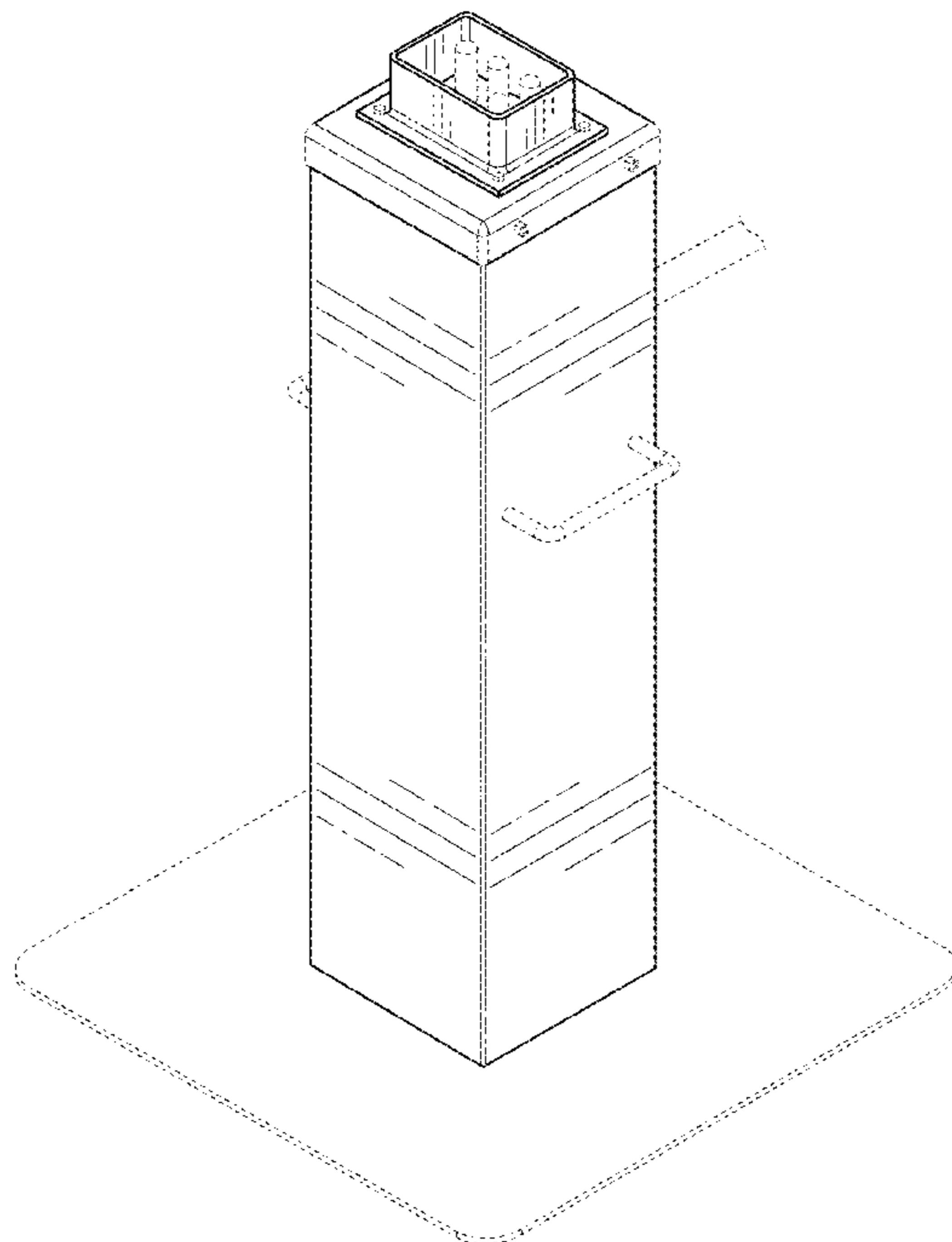
6,476,616 B2 * 11/2002 Yoshida G01R 31/045
324/538

* cited by examiner

The broken lines in the Figures are for the purpose of illustrating unclaimed portions of the plug force tester and form no part of the claimed design.
The shade lines in the Figures show contour and not surface ornamentation.

Primary Examiner — Antoine Duval Davis
(74) *Attorney, Agent, or Firm* — Downs Rachlin Martin
PLLC

1 Claim, 14 Drawing Sheets



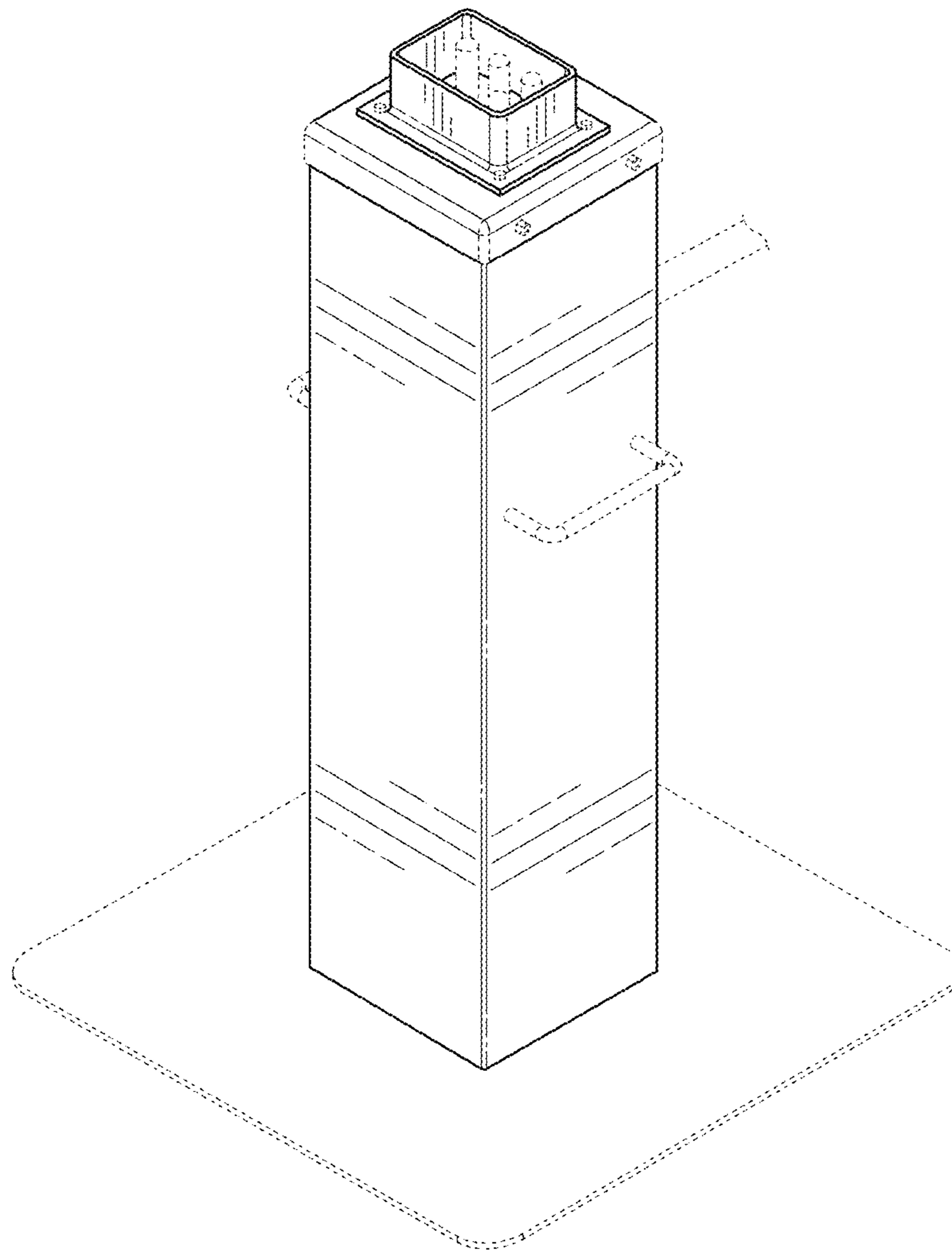


FIG. 1

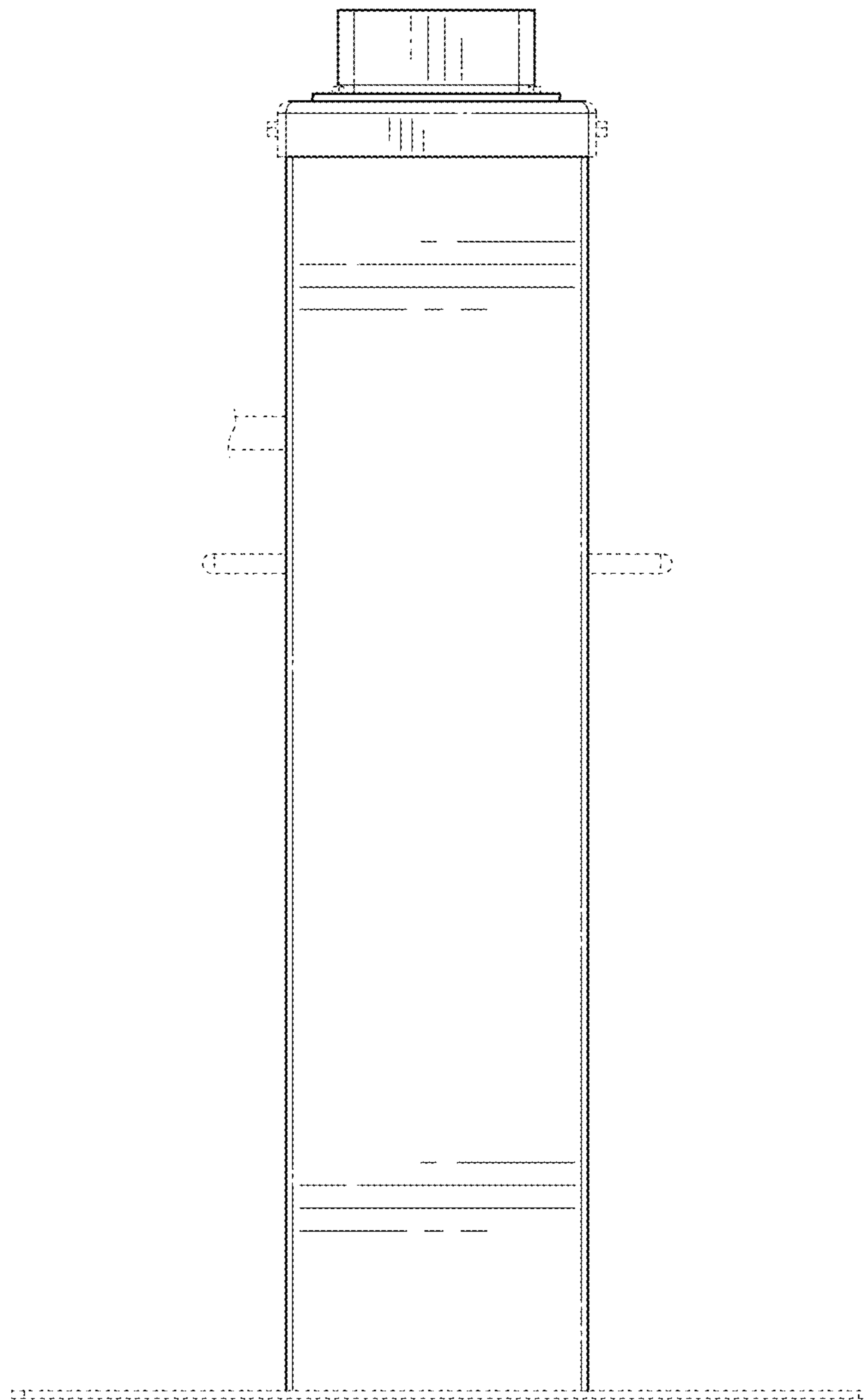


FIG. 2

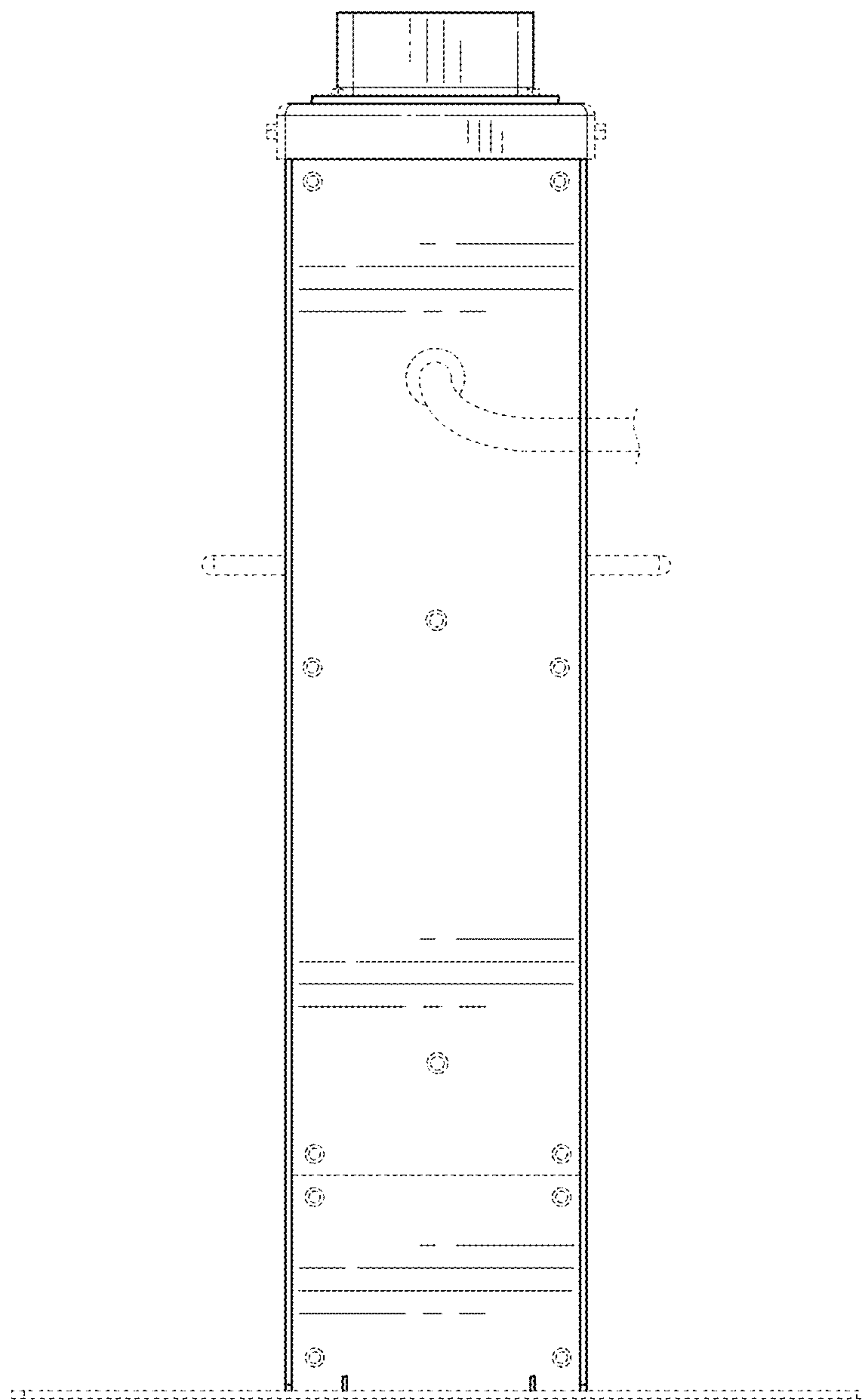


FIG. 3

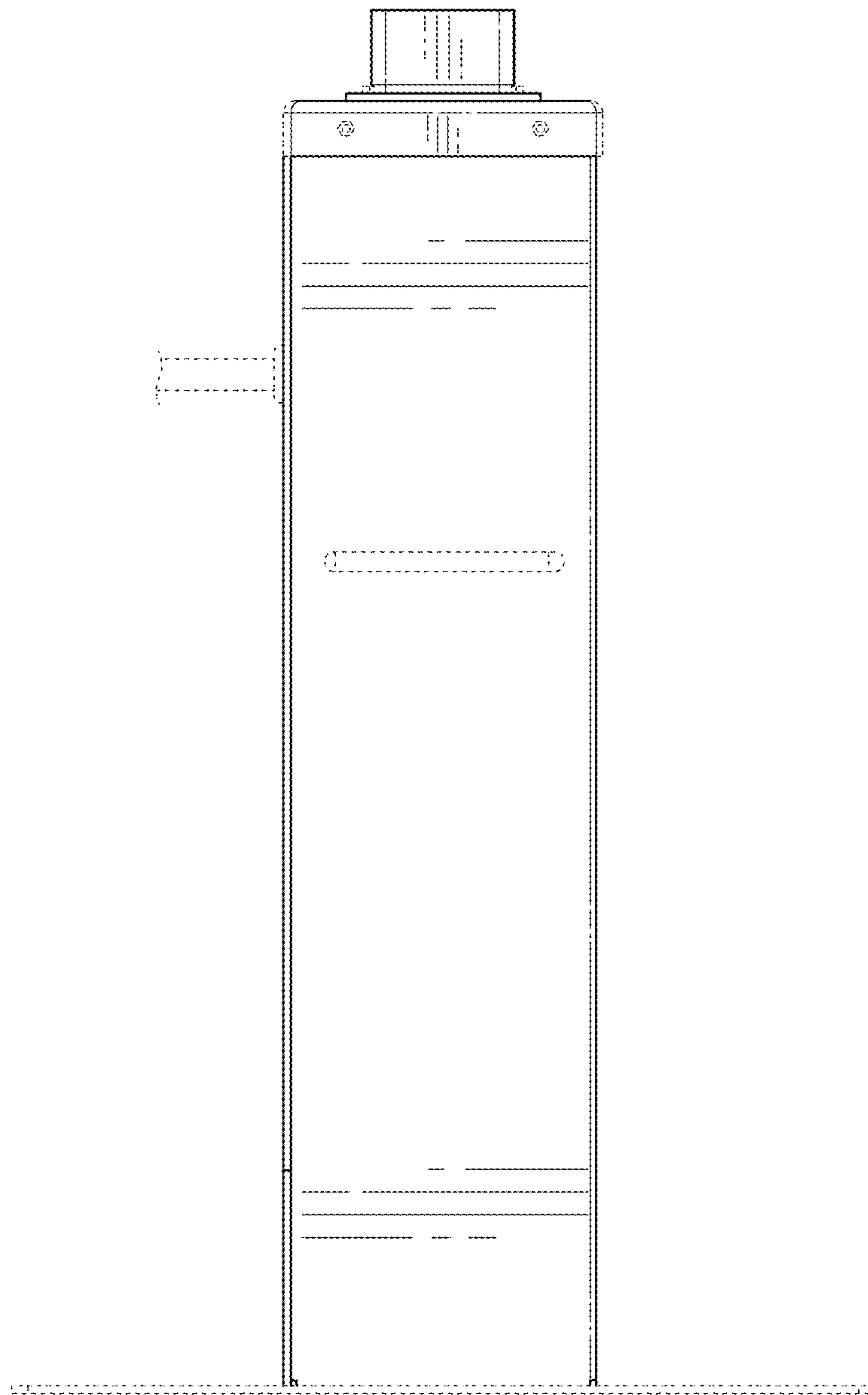


FIG. 4

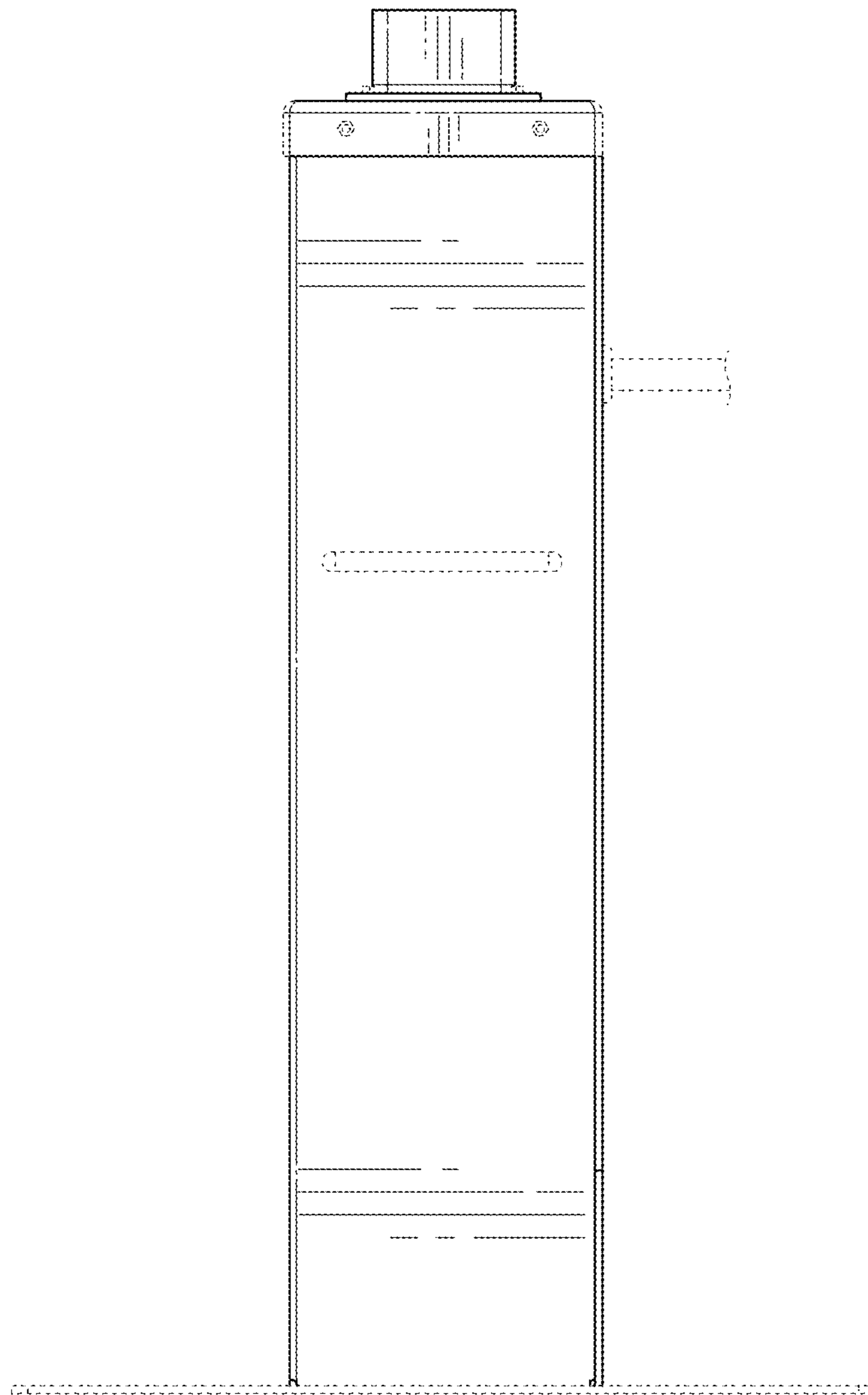


FIG. 5

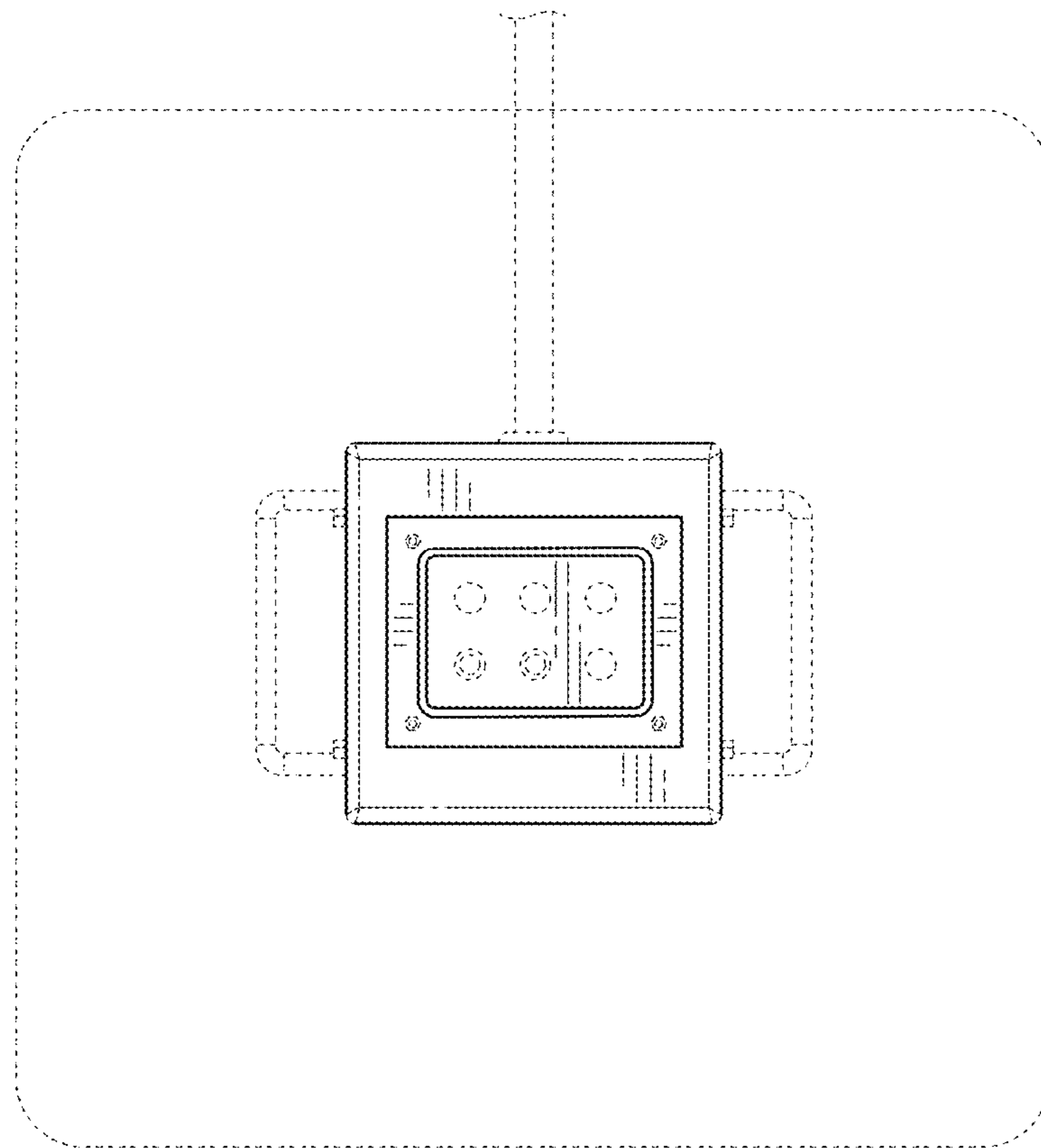


FIG. 6

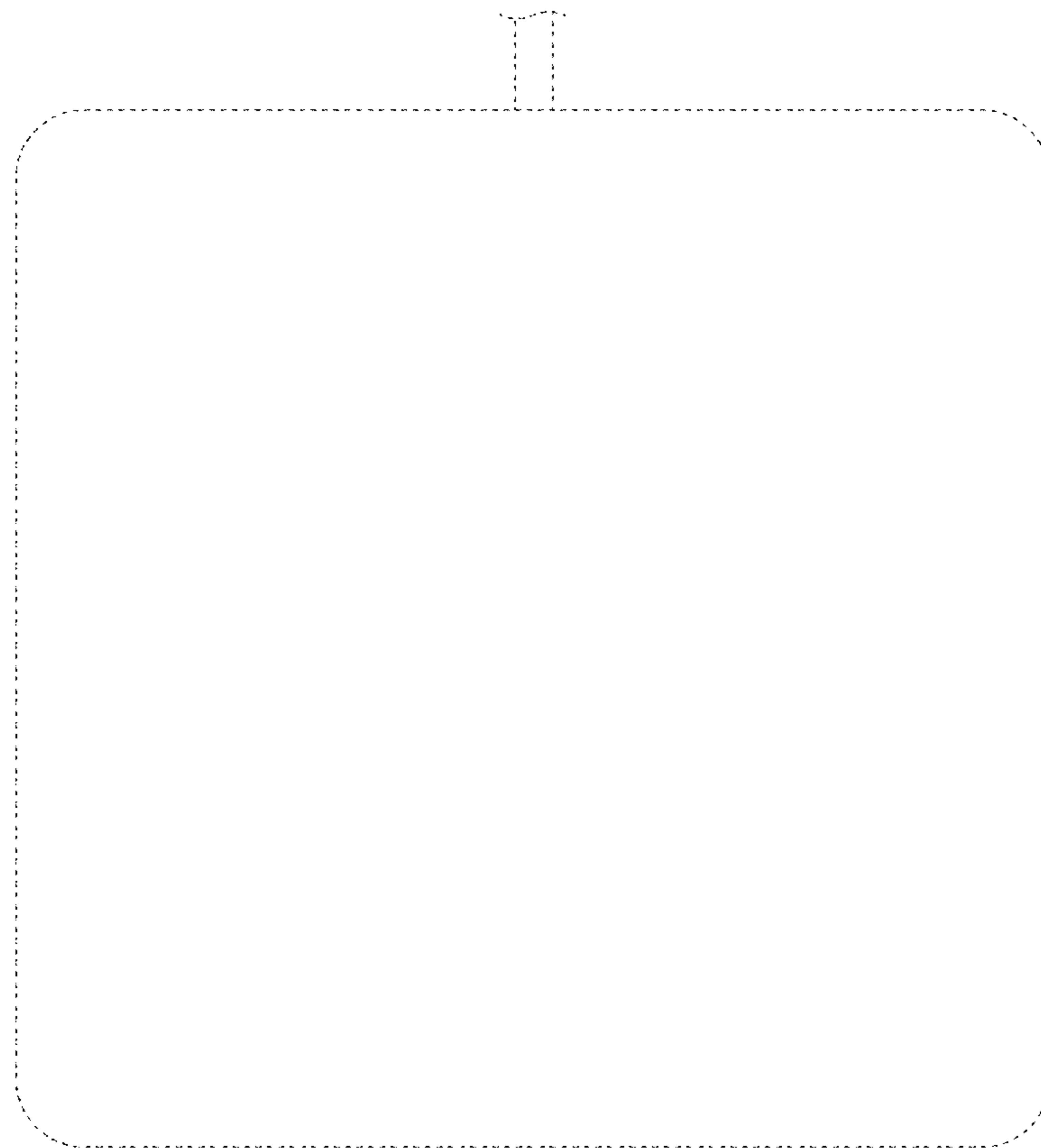


FIG. 7

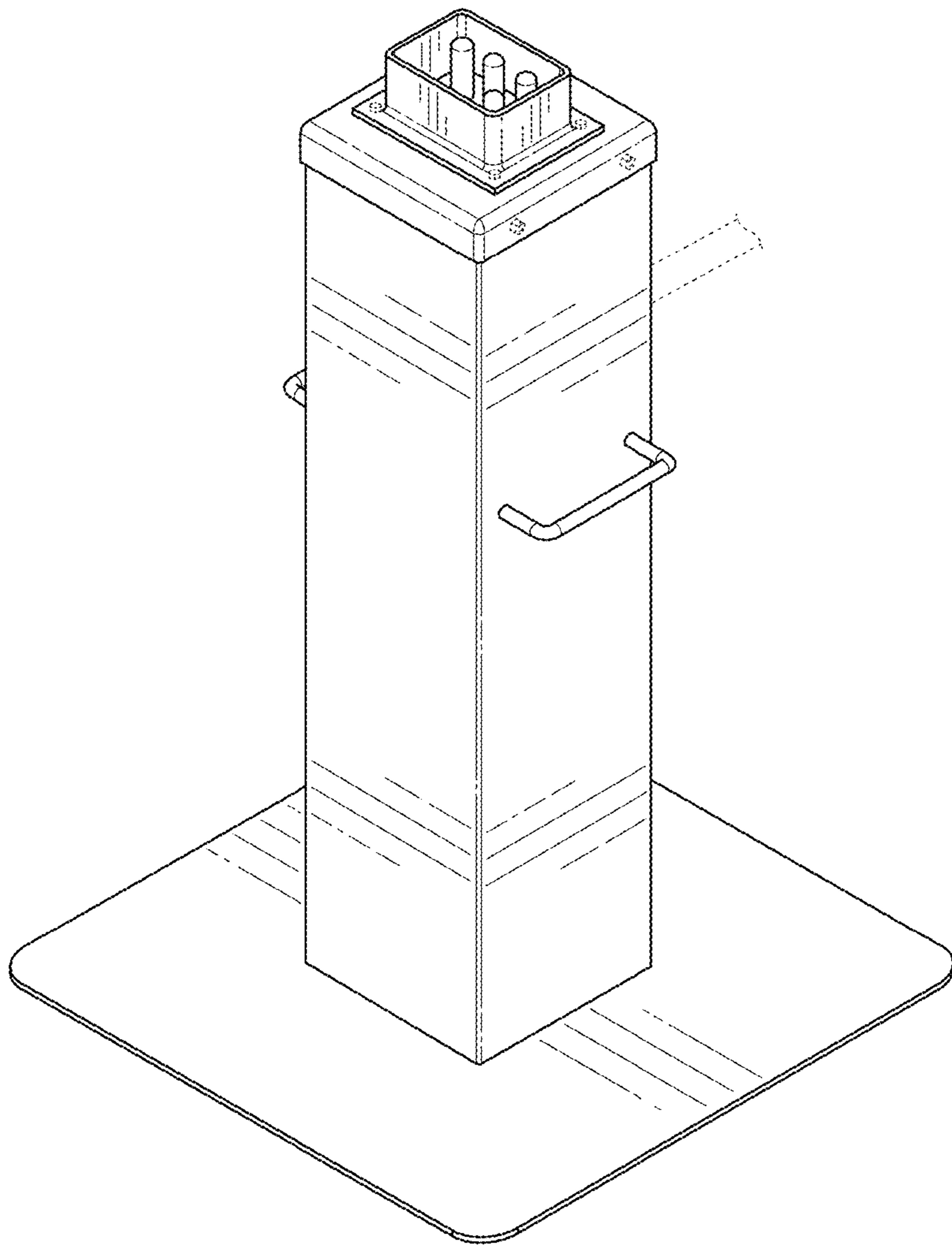


FIG. 8

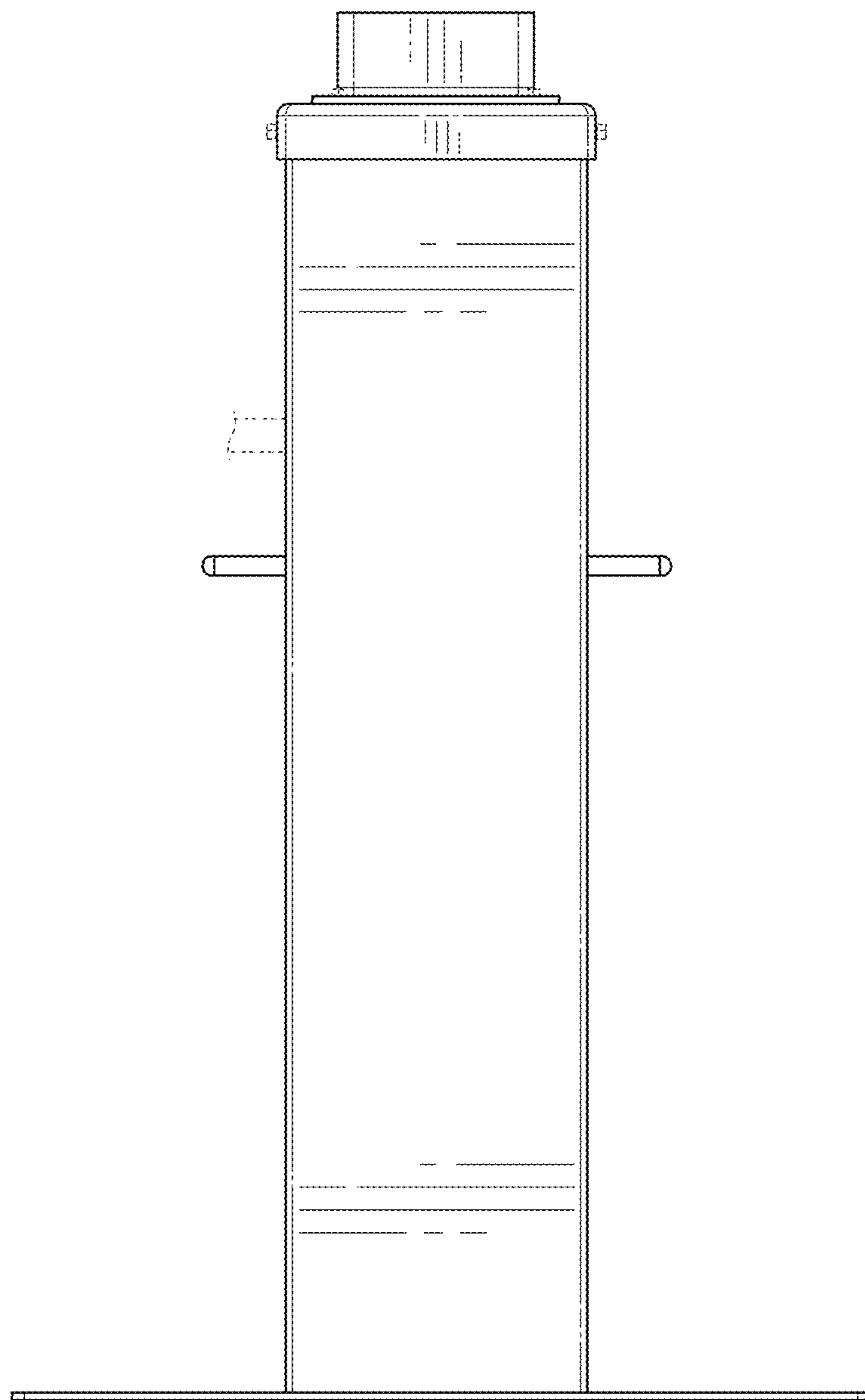


FIG. 9

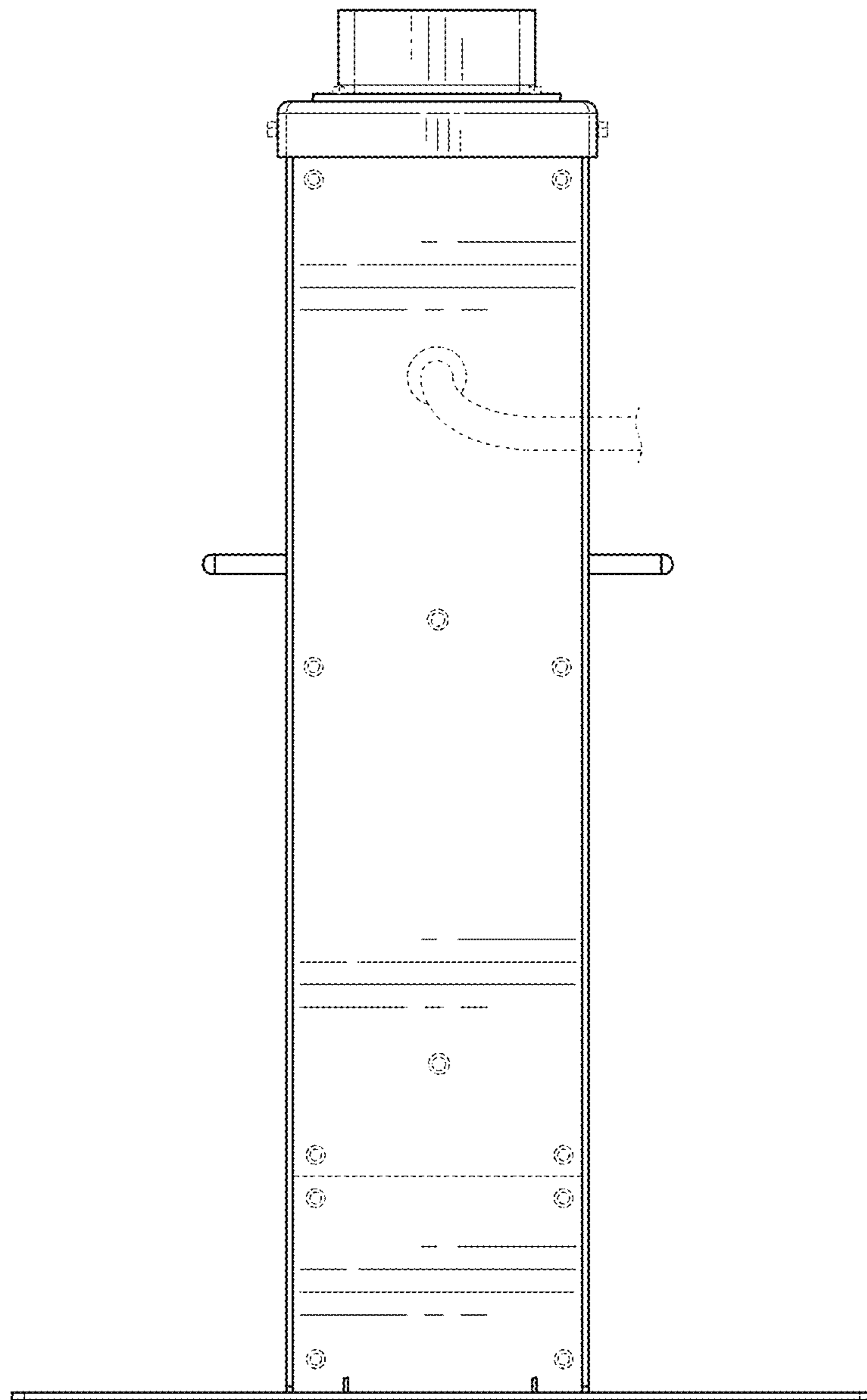


FIG. 10

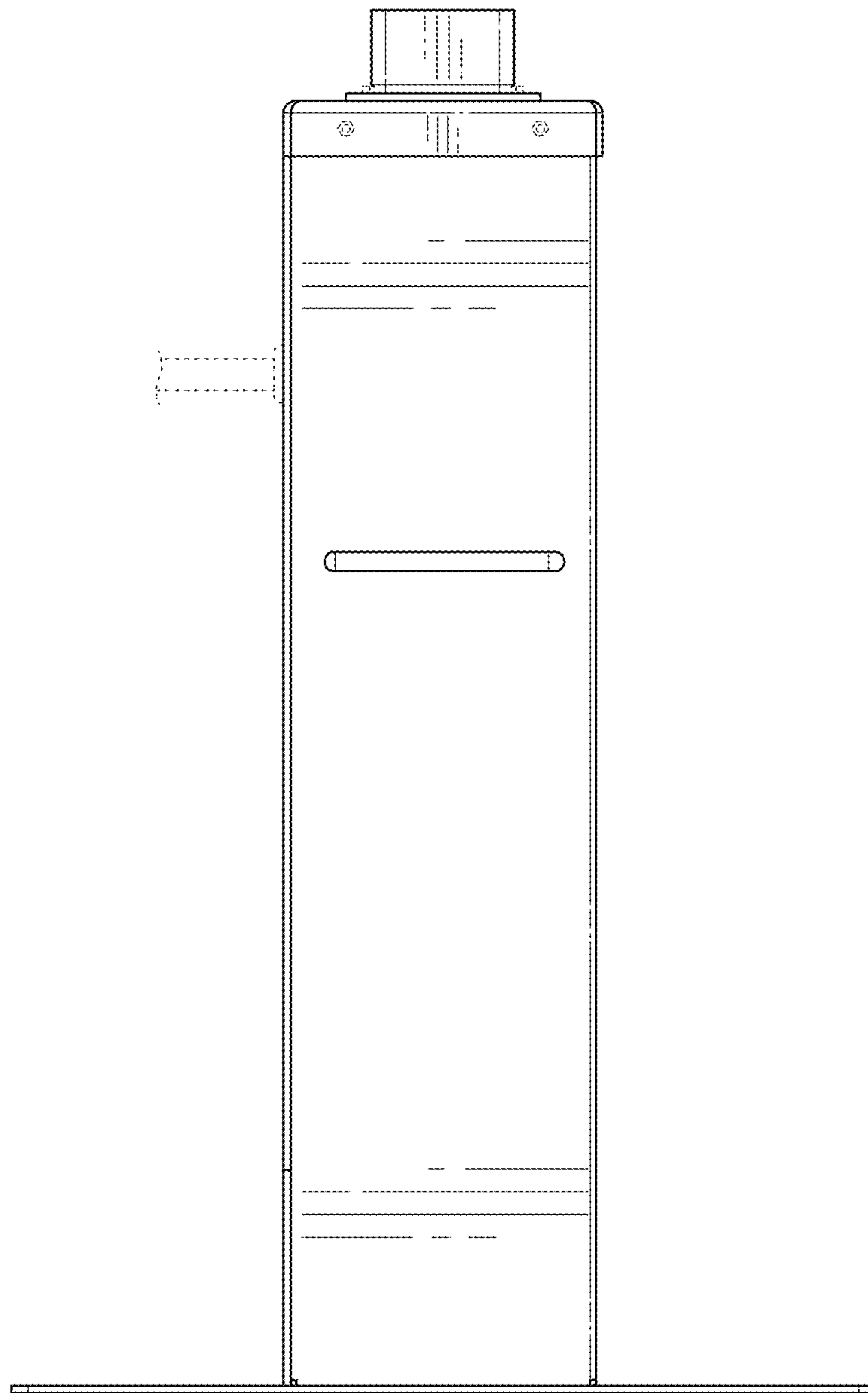


FIG. 11

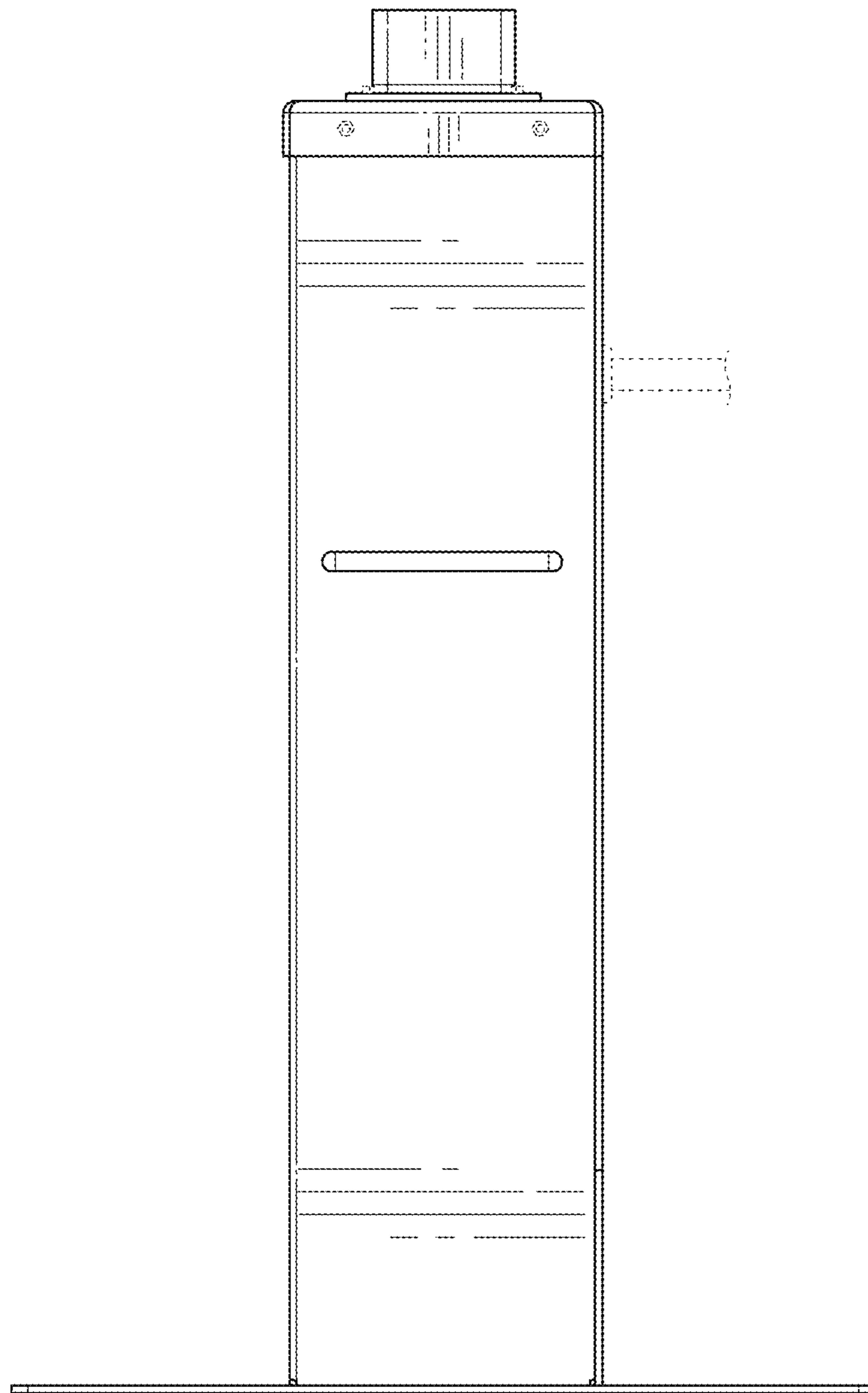


FIG. 12

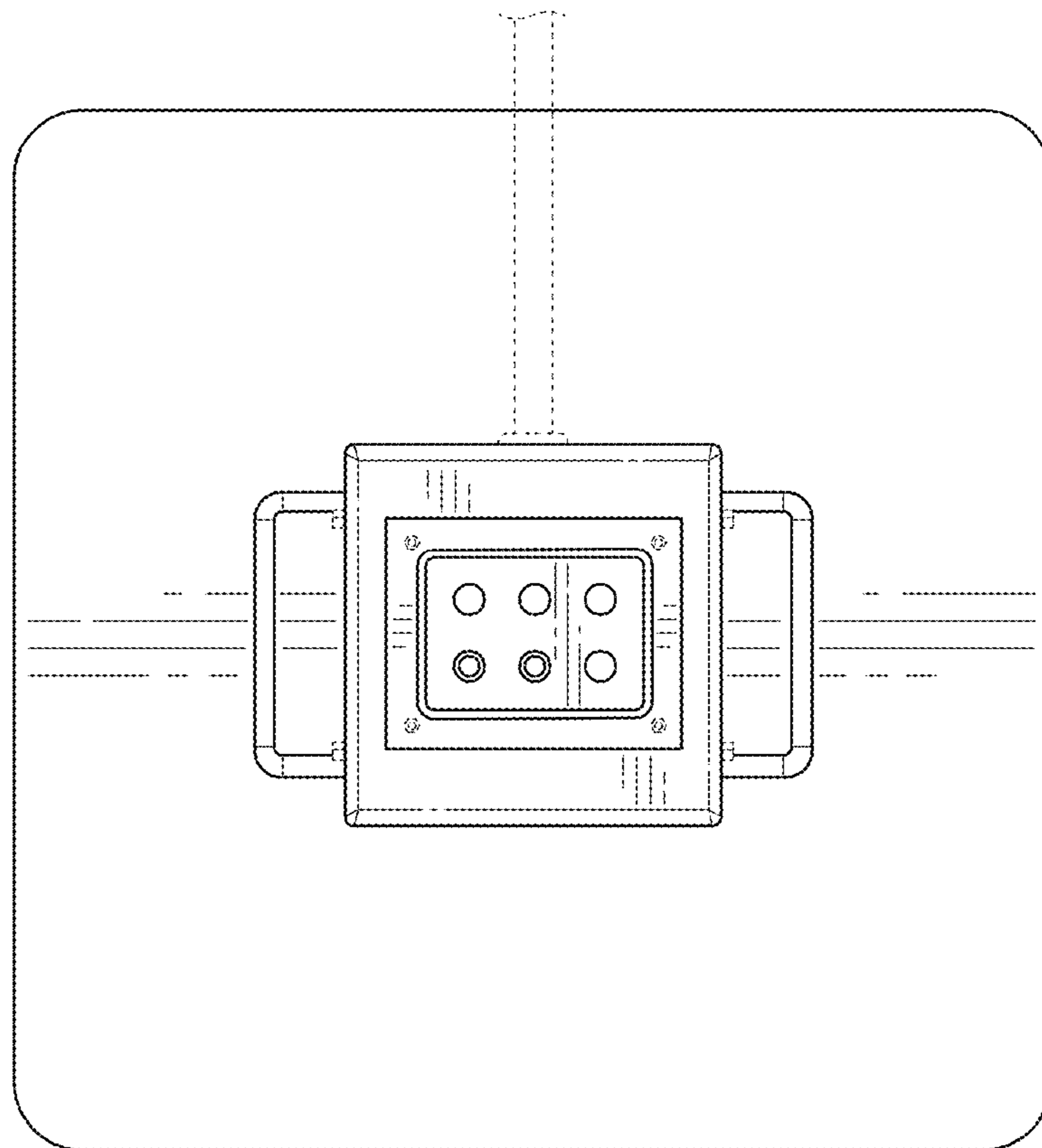


FIG. 13

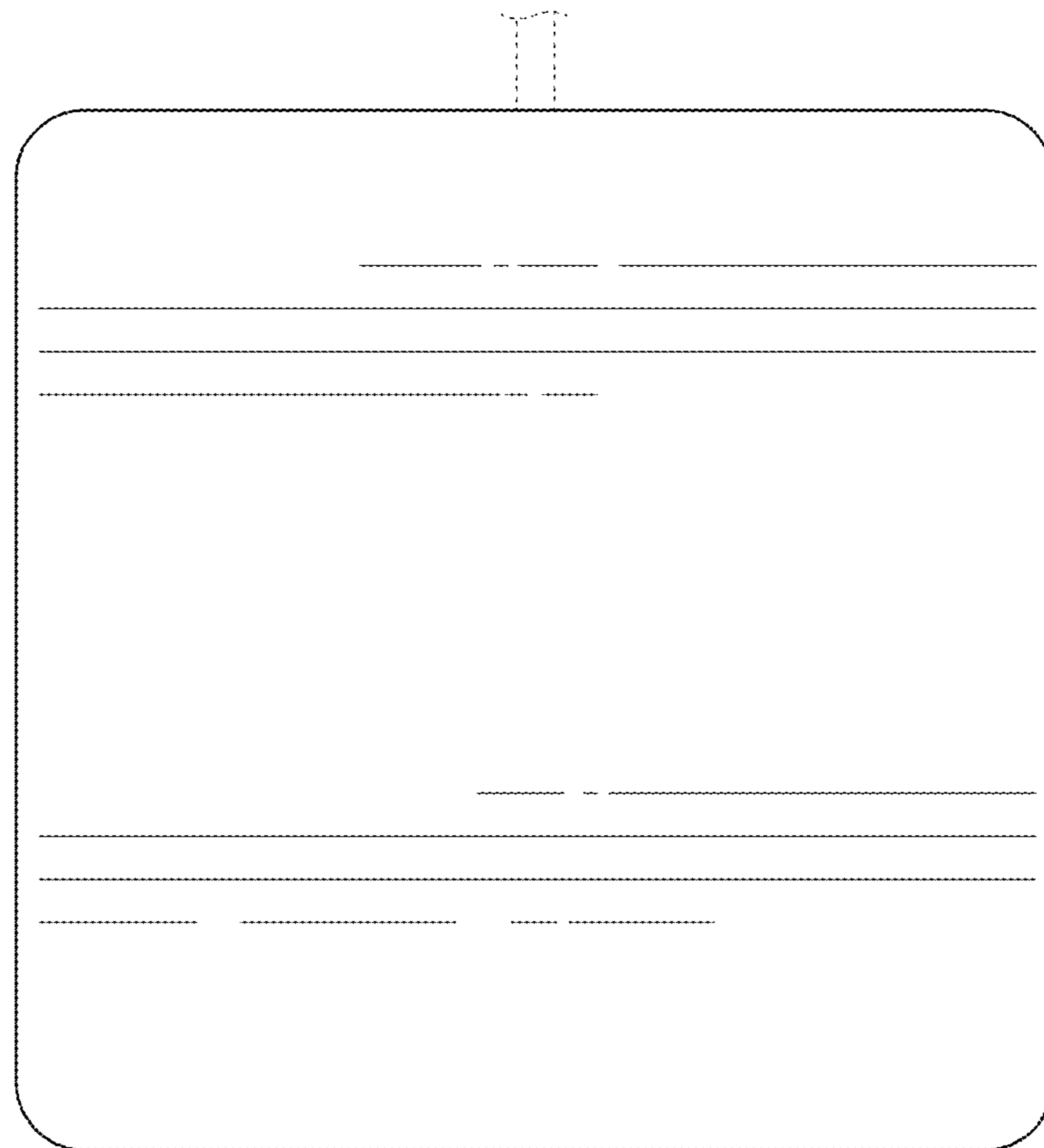


FIG. 14