



US00D858322S

(12) **United States Design Patent**
Goldberg

(10) **Patent No.:** **US D858,322 S**

(45) **Date of Patent:** **** Sep. 3, 2019**

(54) **TAPE MEASURE**

(71) Applicant: **Forever Green Holdings LLC,**
Teaneck, NJ (US)

(72) Inventor: **Edward Goldberg,** Teaneck, NJ (US)

(73) Assignee: **Forever Green Holdings LLC,**
Teaneck, NJ (US)

(**) Term: **15 Years**

(21) Appl. No.: **29/643,228**

(22) Filed: **Apr. 5, 2018**

(51) **LOC (12) Cl.** **10-04**

(52) **U.S. Cl.**
USPC **D10/72**

(58) **Field of Classification Search**

USPC D10/72
CPC G01B 3/10; G01B 3/1002; G01B 3/1041;
G01B 2003/1043; G01B 2003/1046;
G01B 2003/1048; G01B 2003/1051;
G01B 2003/1053; G01B 2003/1097;
G01B 3/1082; G01B 3/1056; G01B
3/563; G01B 3/566; G01B 3/1071; G01B
2003/1089; G01B 2003/1092; G01B
2003/1079; G01B 2003/1041; G01B
2003/1084; G07B 3/10

See application file for complete search history.

(56) **References Cited**

U.S. PATENT DOCUMENTS

4,856,726 A * 8/1989 Kang A01K 27/004
242/384.7
D310,042 S * 8/1990 Kang D10/72
D639,190 S * 6/2011 Cook D10/72

* cited by examiner

Primary Examiner — Antoine Duval Davis

(74) *Attorney, Agent, or Firm* — Ditthavong & Steiner,
P.C.

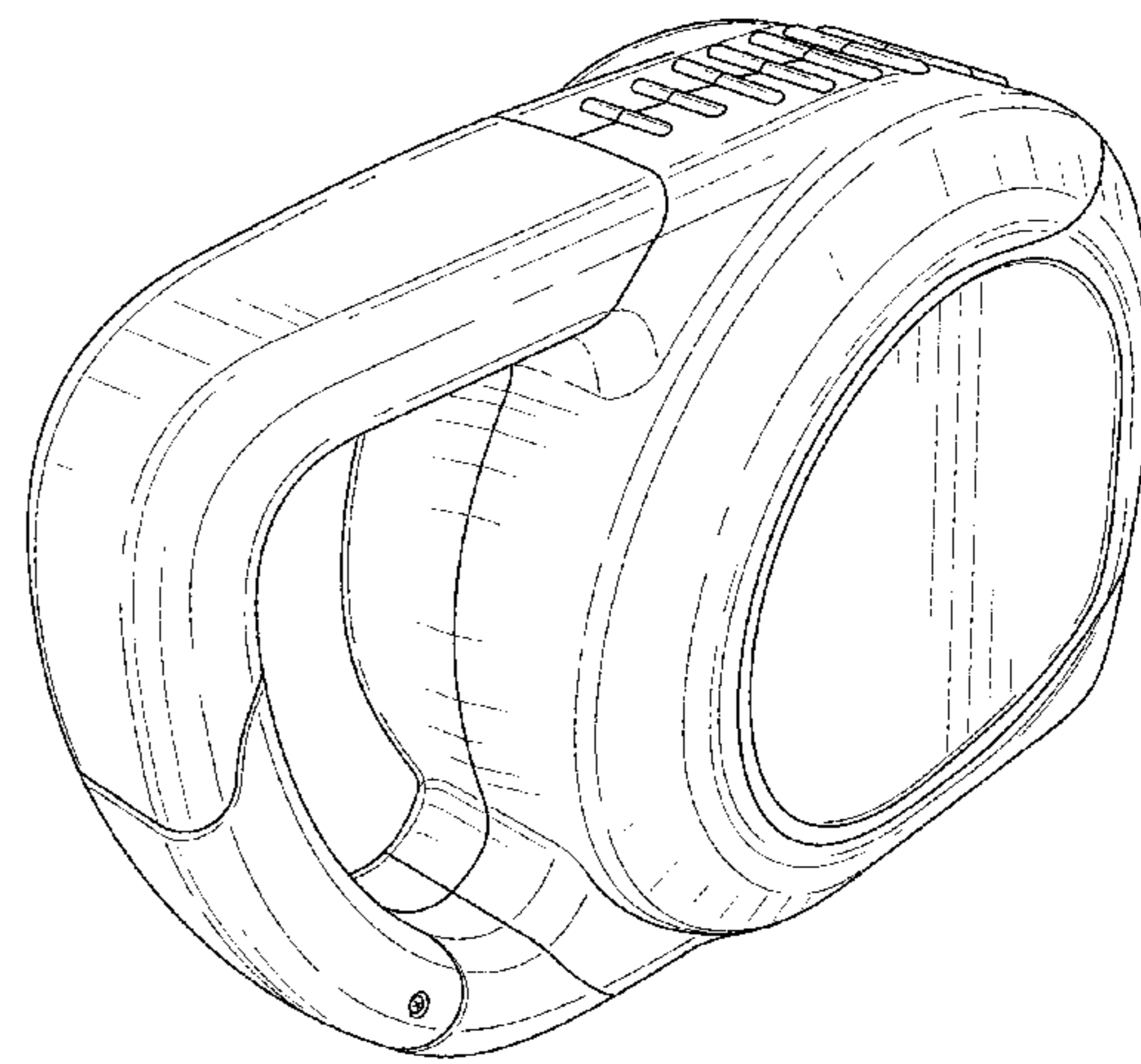
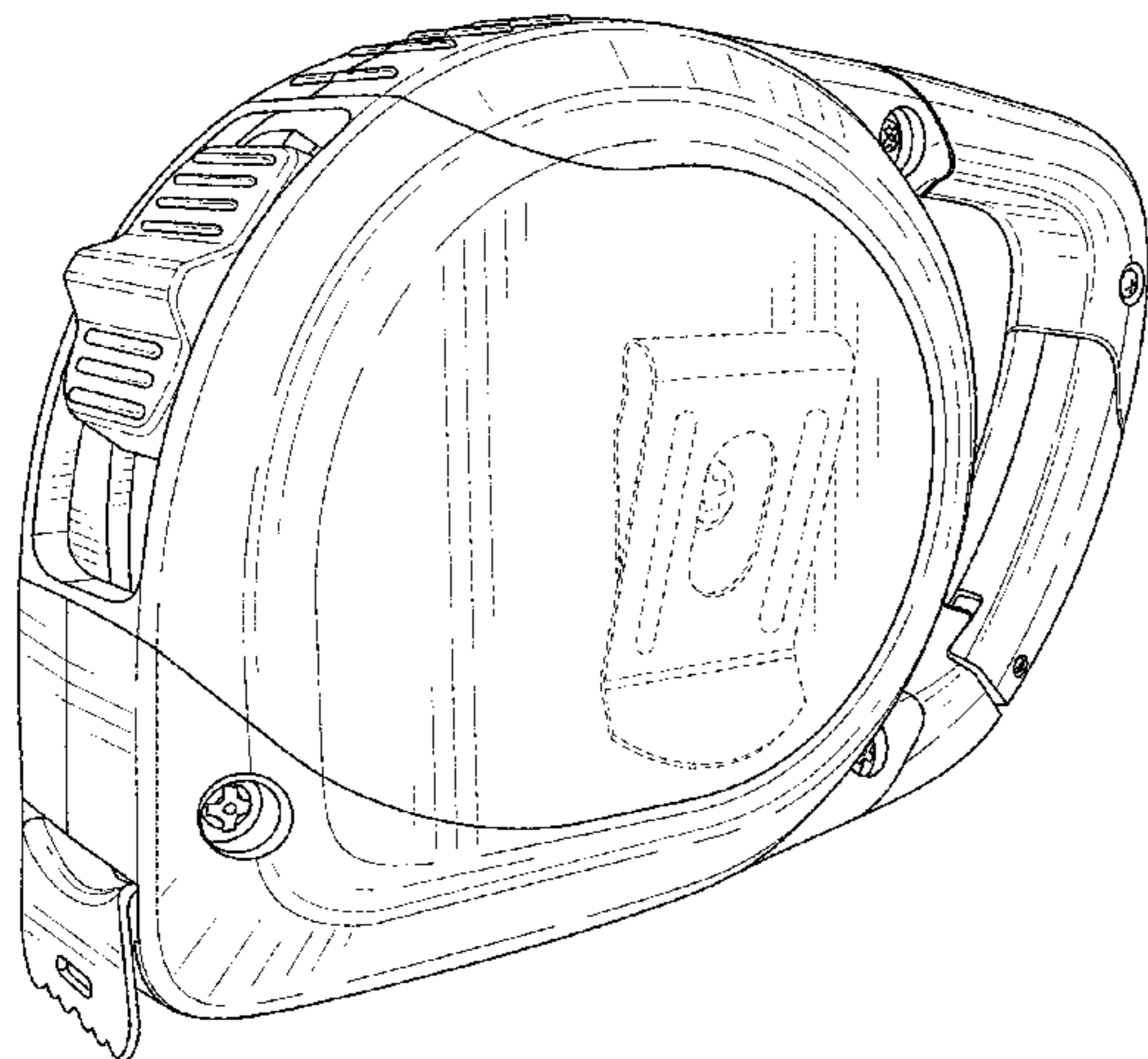
(57) **CLAIM**

The ornamental design for a tape measure, as shown and described in the accompanying drawings.

DESCRIPTION

FIG. 1 is a front-left side perspective view of an embodiment of a tape measure, showing my design;
FIG. 2 is a front view thereof;
FIG. 3 is a back view thereof;
FIG. 4 is a right side elevation thereof;
FIG. 5 is a left side elevation thereof;
FIG. 6 is a top view thereof;
FIG. 7 is a bottom view thereof;
FIG. 8 is a front-right side perspective view thereof;
FIG. 9 is a back-right side perspective view thereof;
FIG. 10 is a back-left side perspective view thereof;
FIG. 11 is a front-left side perspective view of another embodiment of a tape measure, showing my design;
FIG. 12 is a front view thereof;
FIG. 13 is a back view thereof;
FIG. 14 is a right side elevation thereof;
FIG. 15 is a left side elevation thereof;
FIG. 16 is a top view thereof;
FIG. 17 is a bottom view thereof;
FIG. 18 is a front-right side perspective view thereof;
FIG. 19 is a back-right side perspective view thereof; and,
FIG. 20 is a back-left side perspective view thereof.

1 Claim, 20 Drawing Sheets



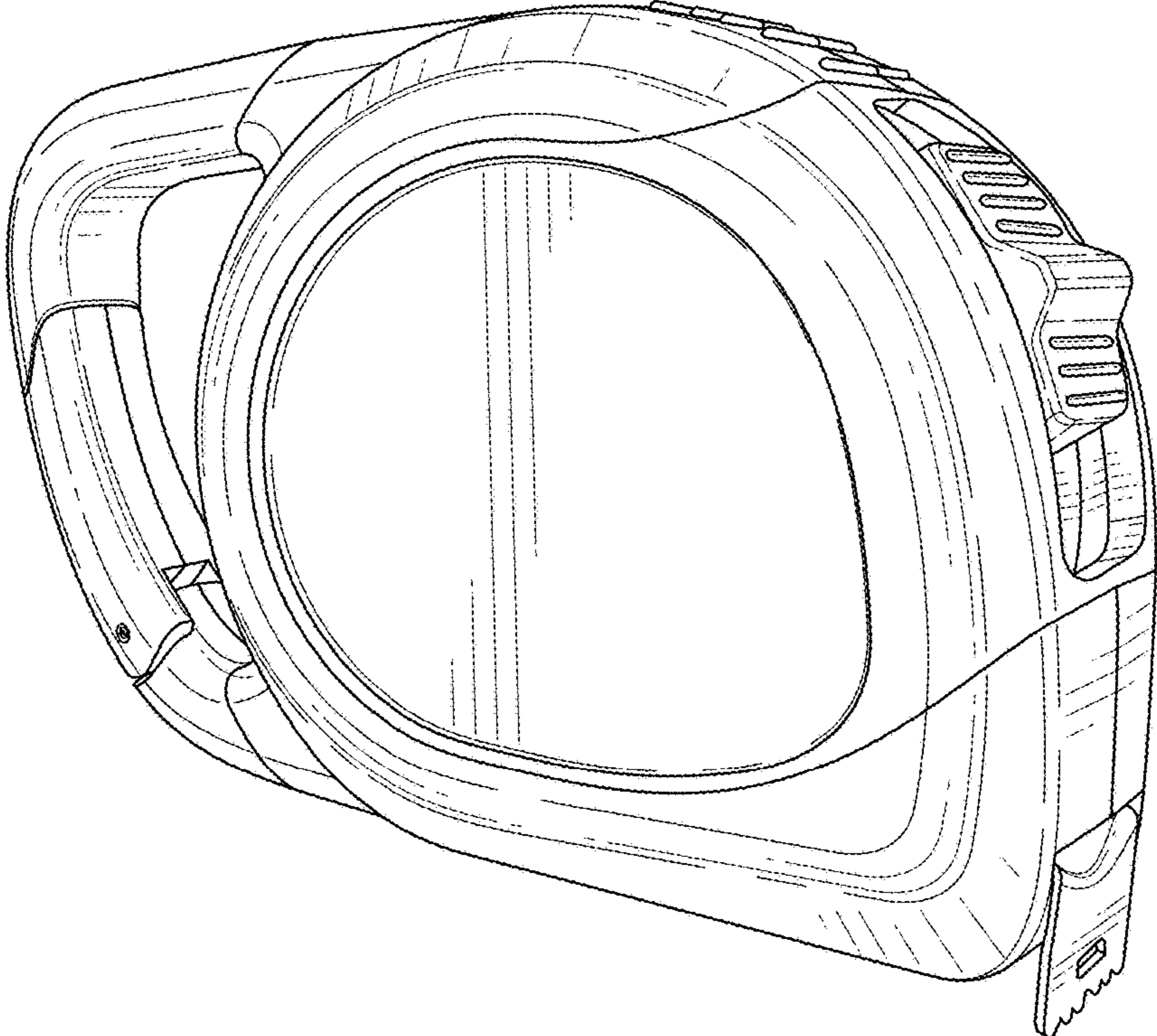


FIG. 1

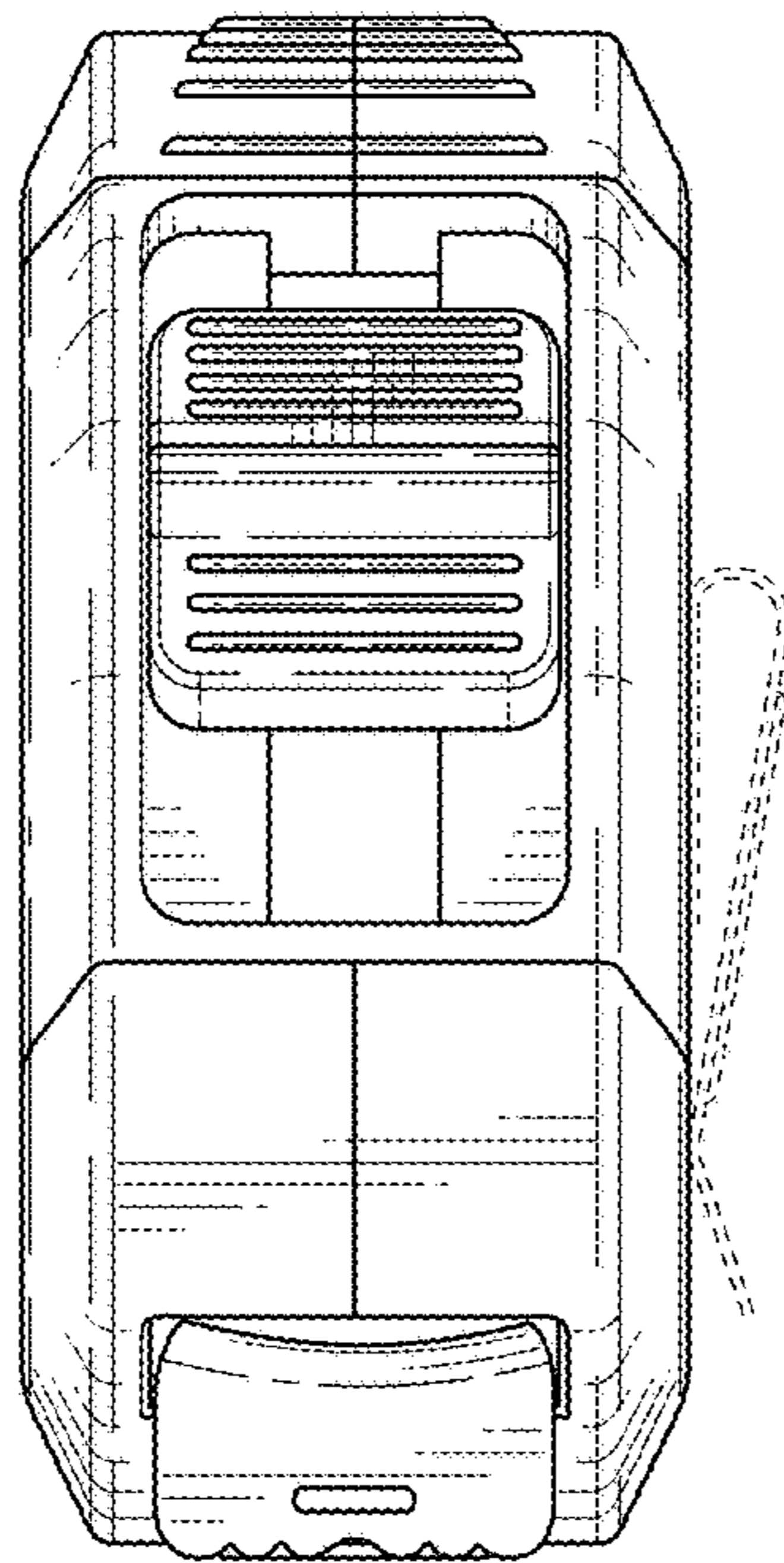


FIG. 2

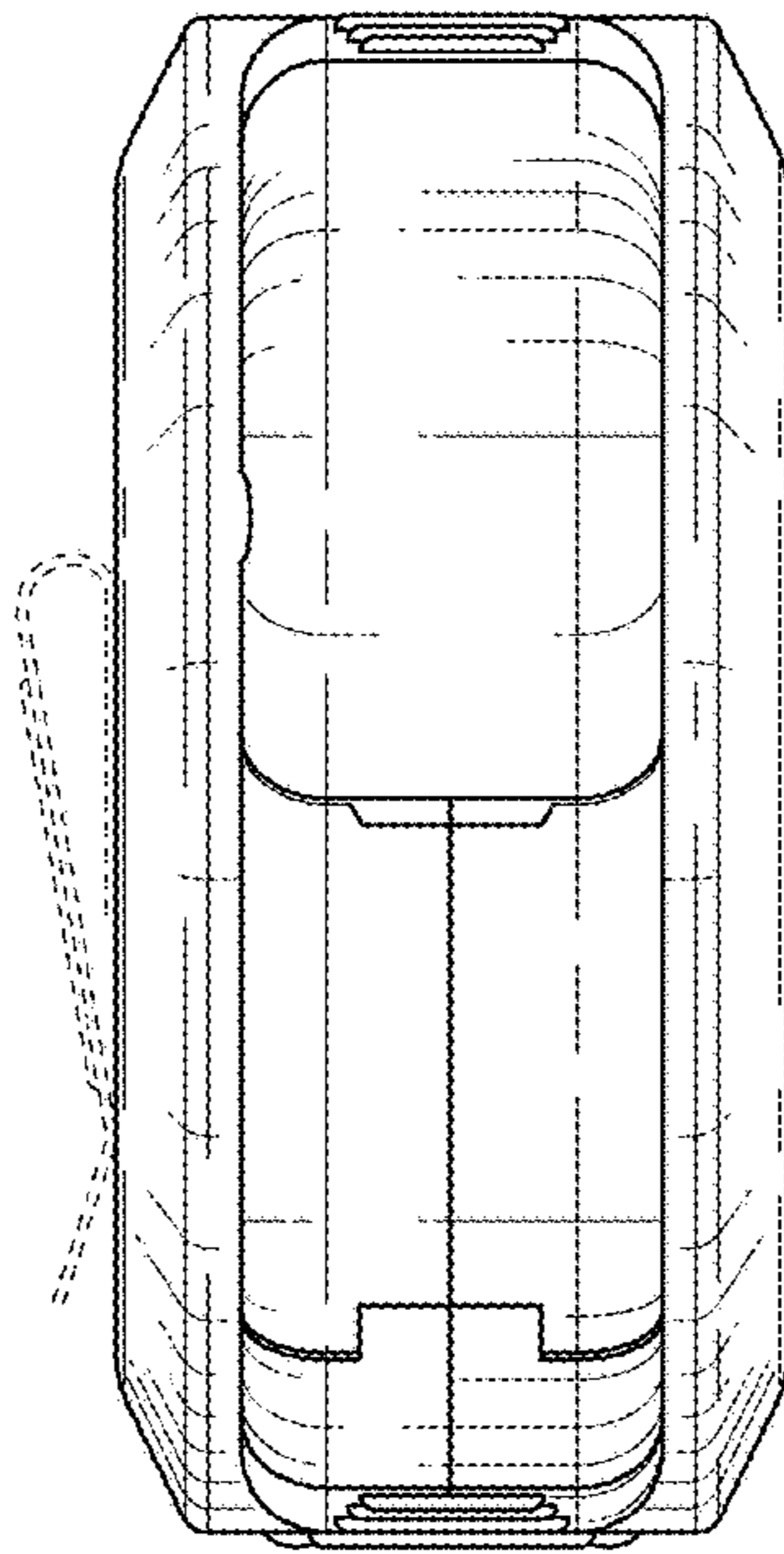


FIG. 3

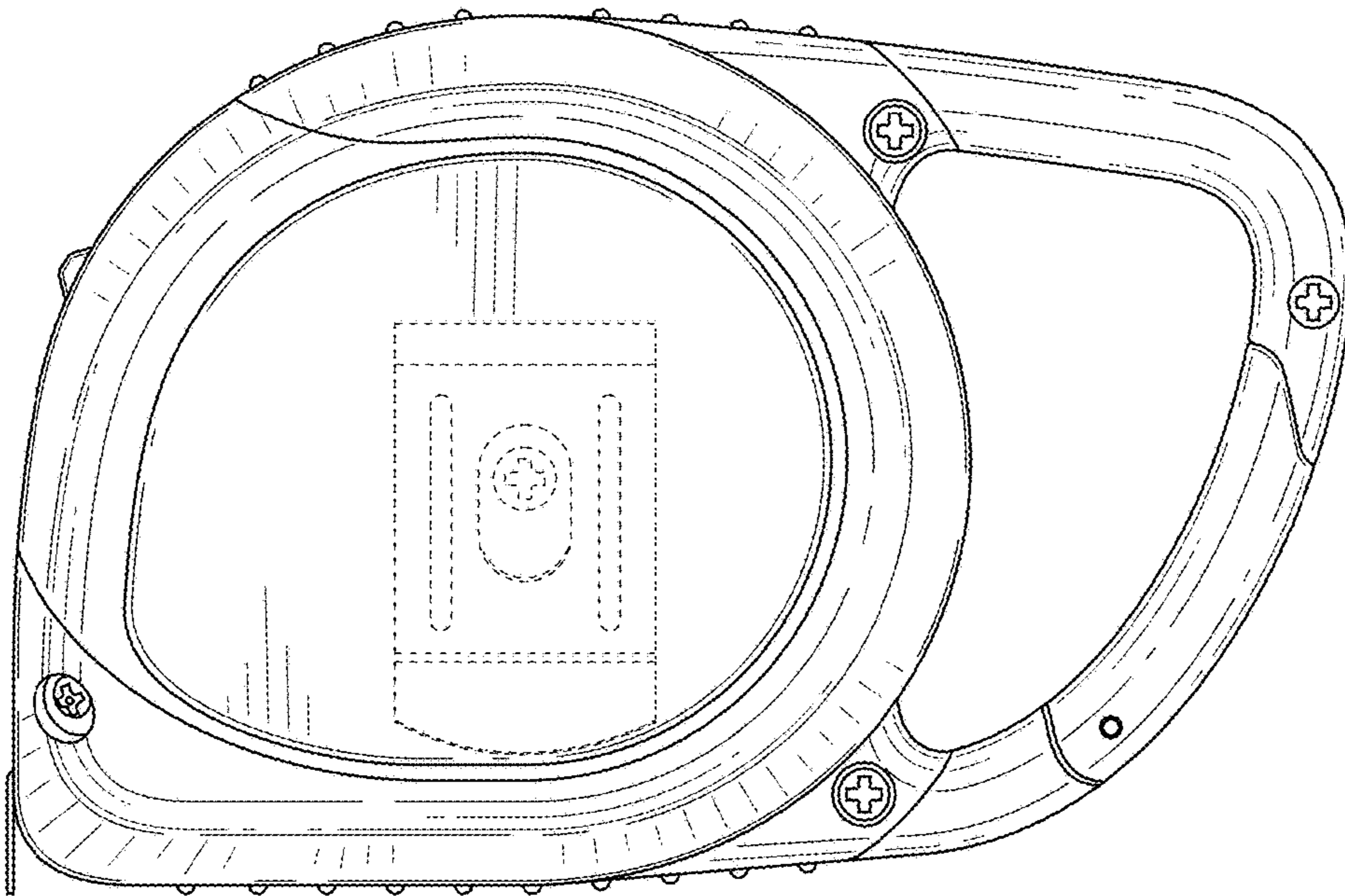


FIG. 4

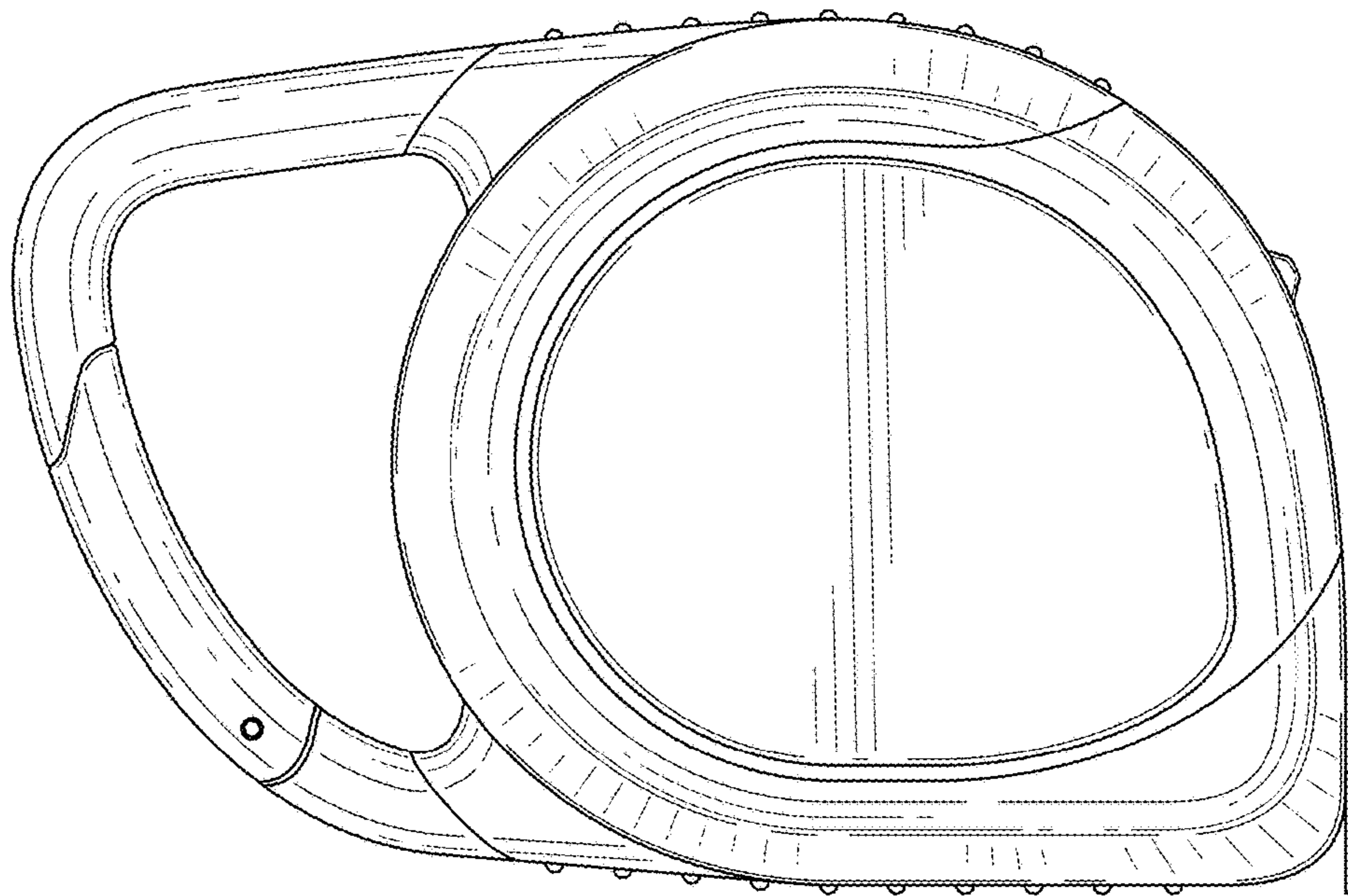


FIG. 5

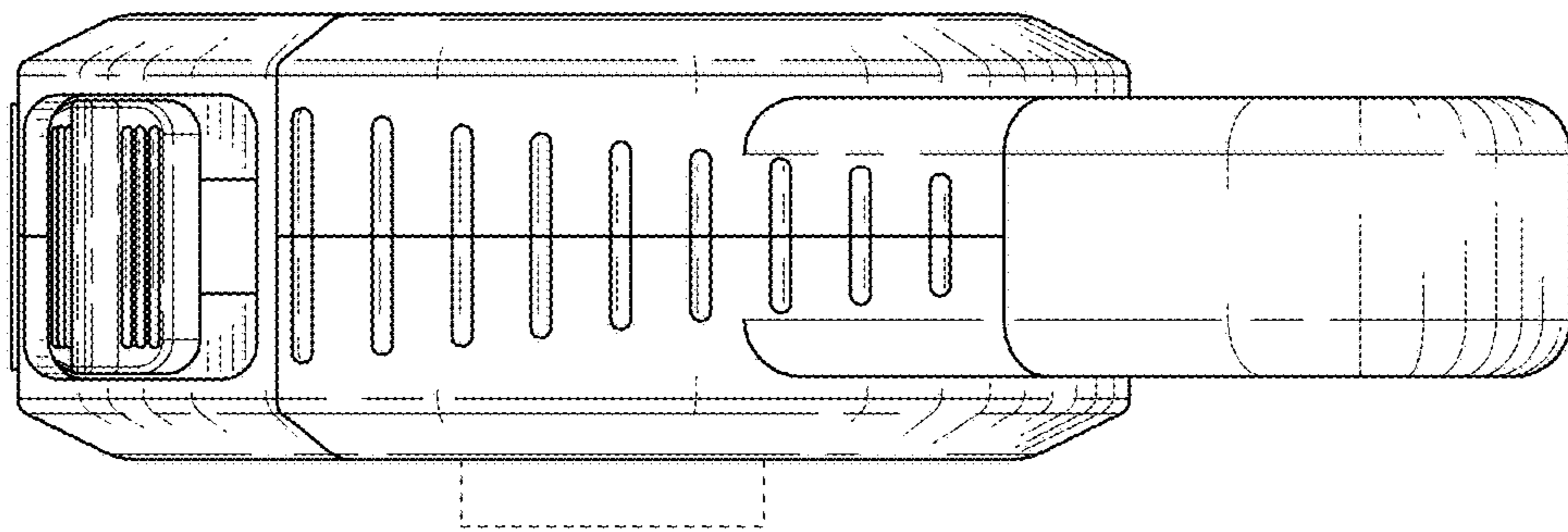


FIG. 6

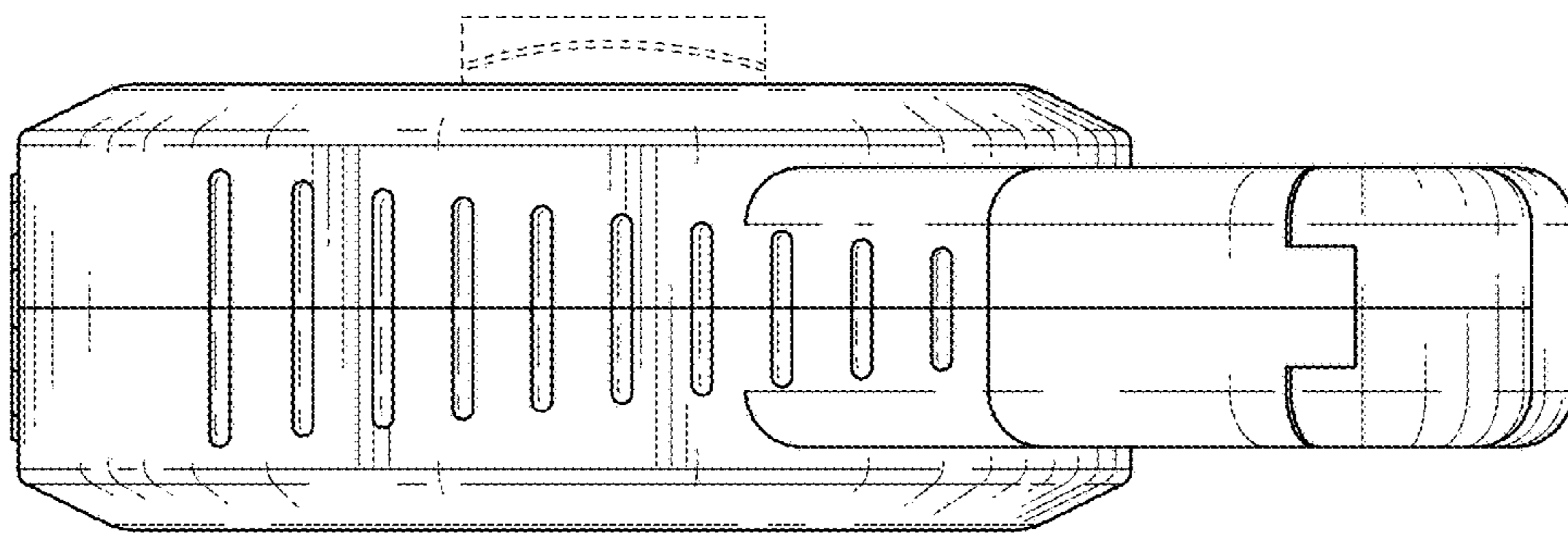


FIG. 7

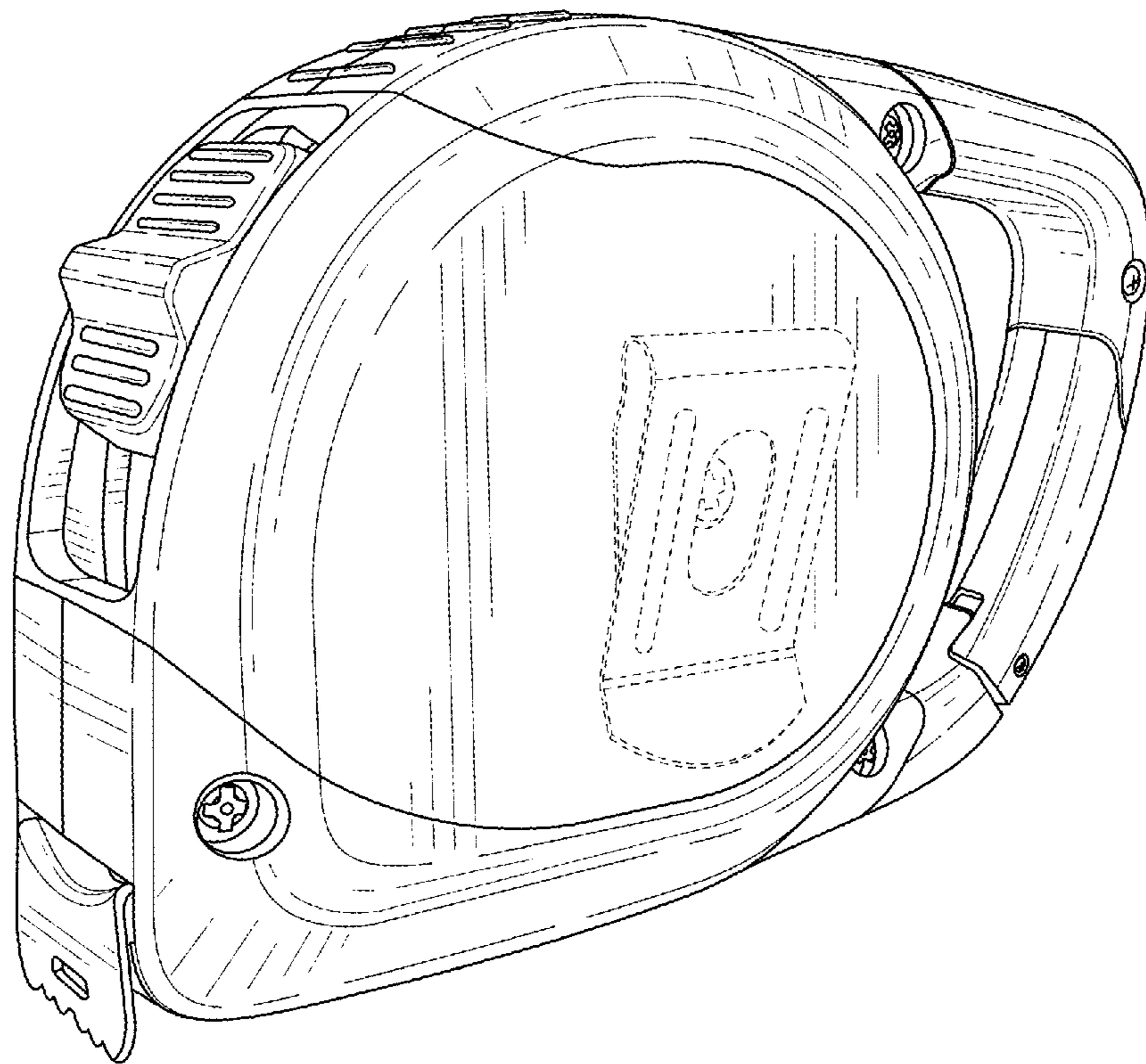


FIG. 8

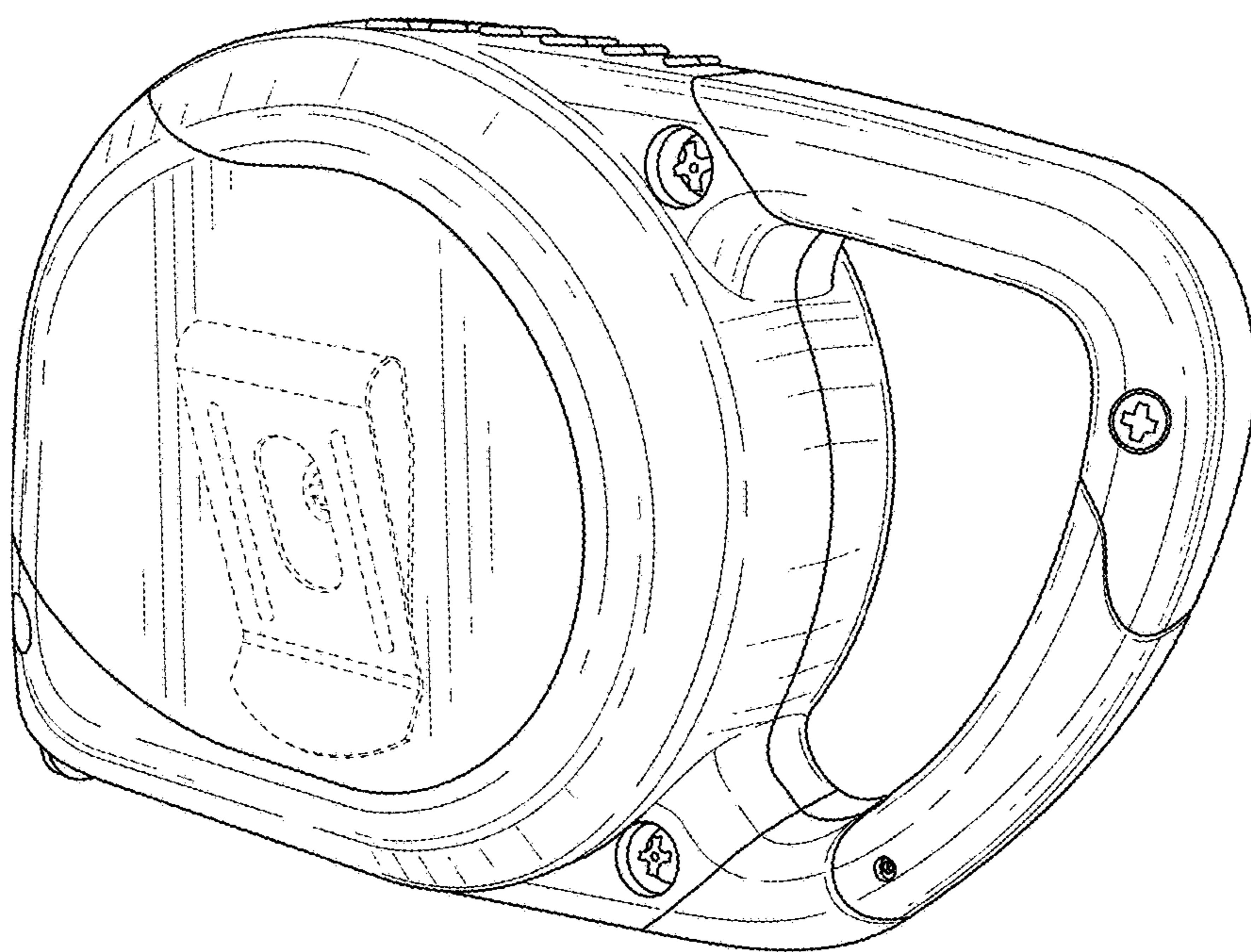


FIG. 9

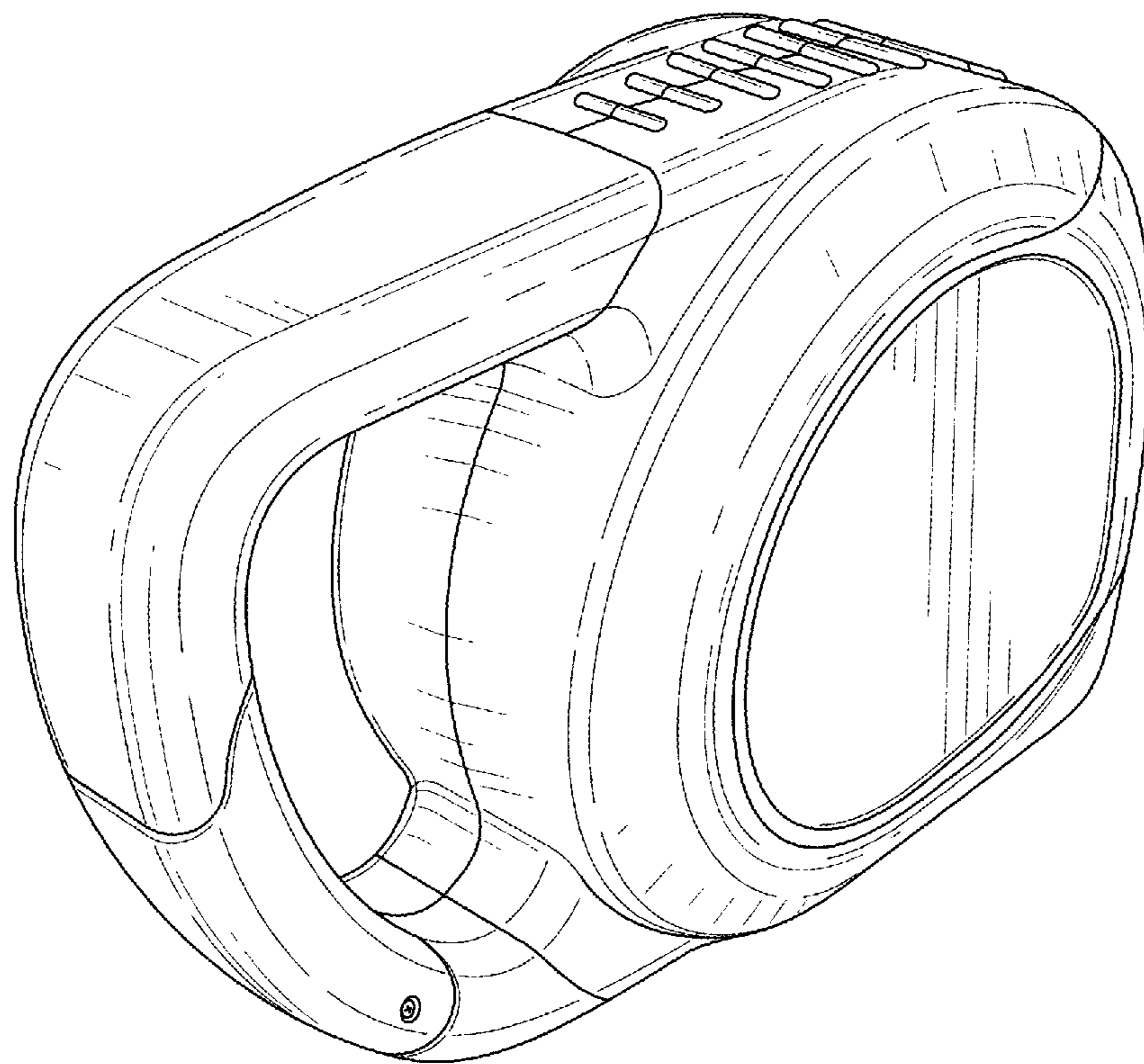


FIG. 10

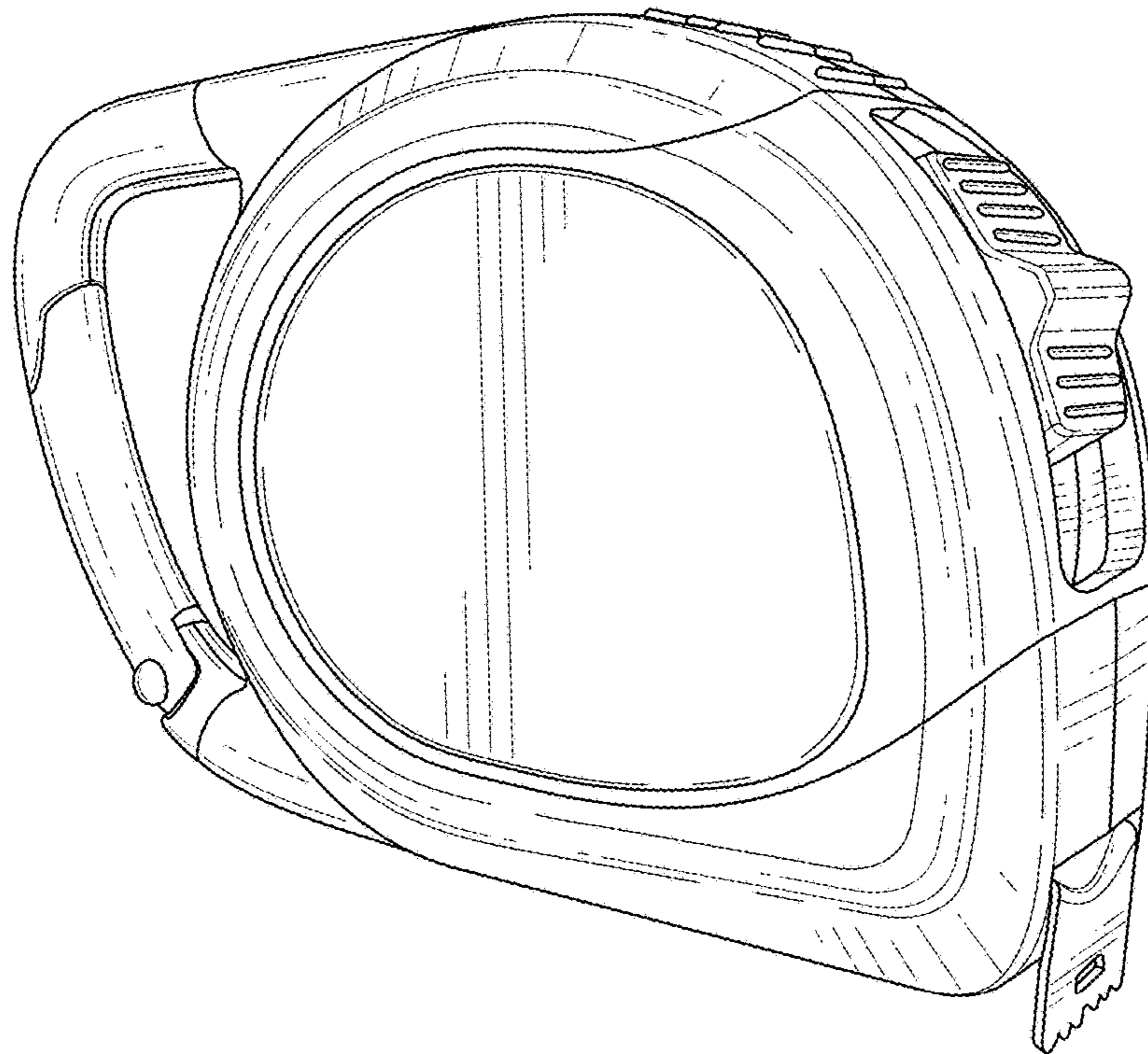


FIG. 11

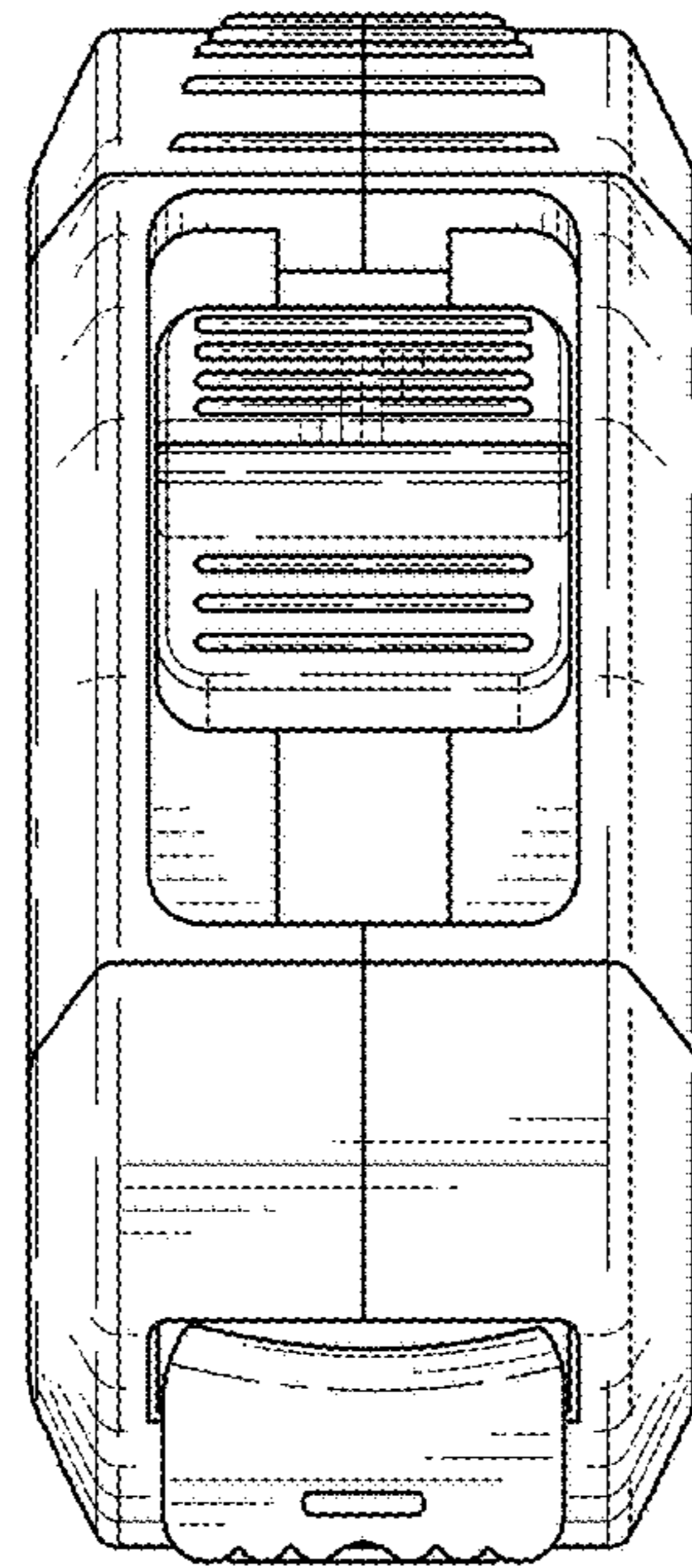


FIG. 12

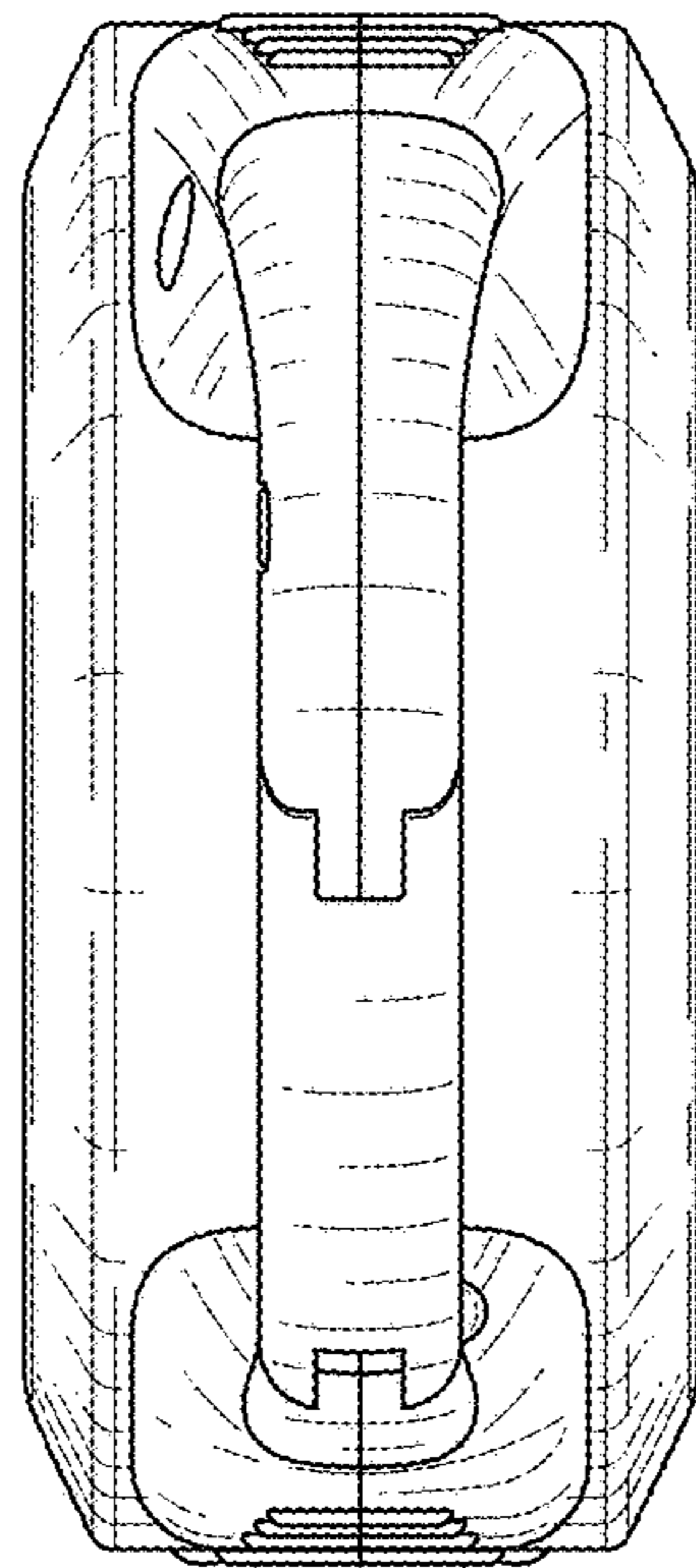


FIG. 13

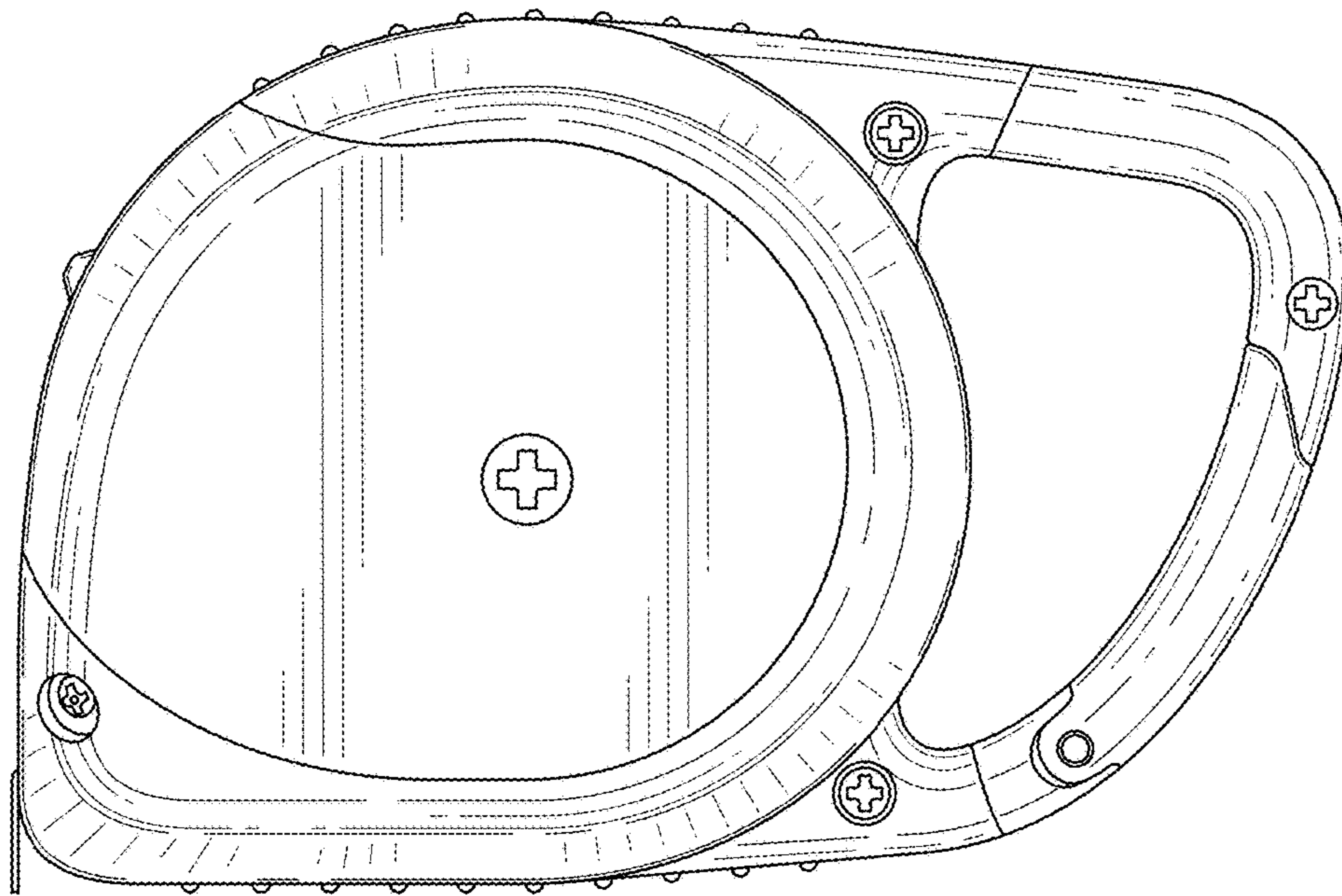


FIG. 14

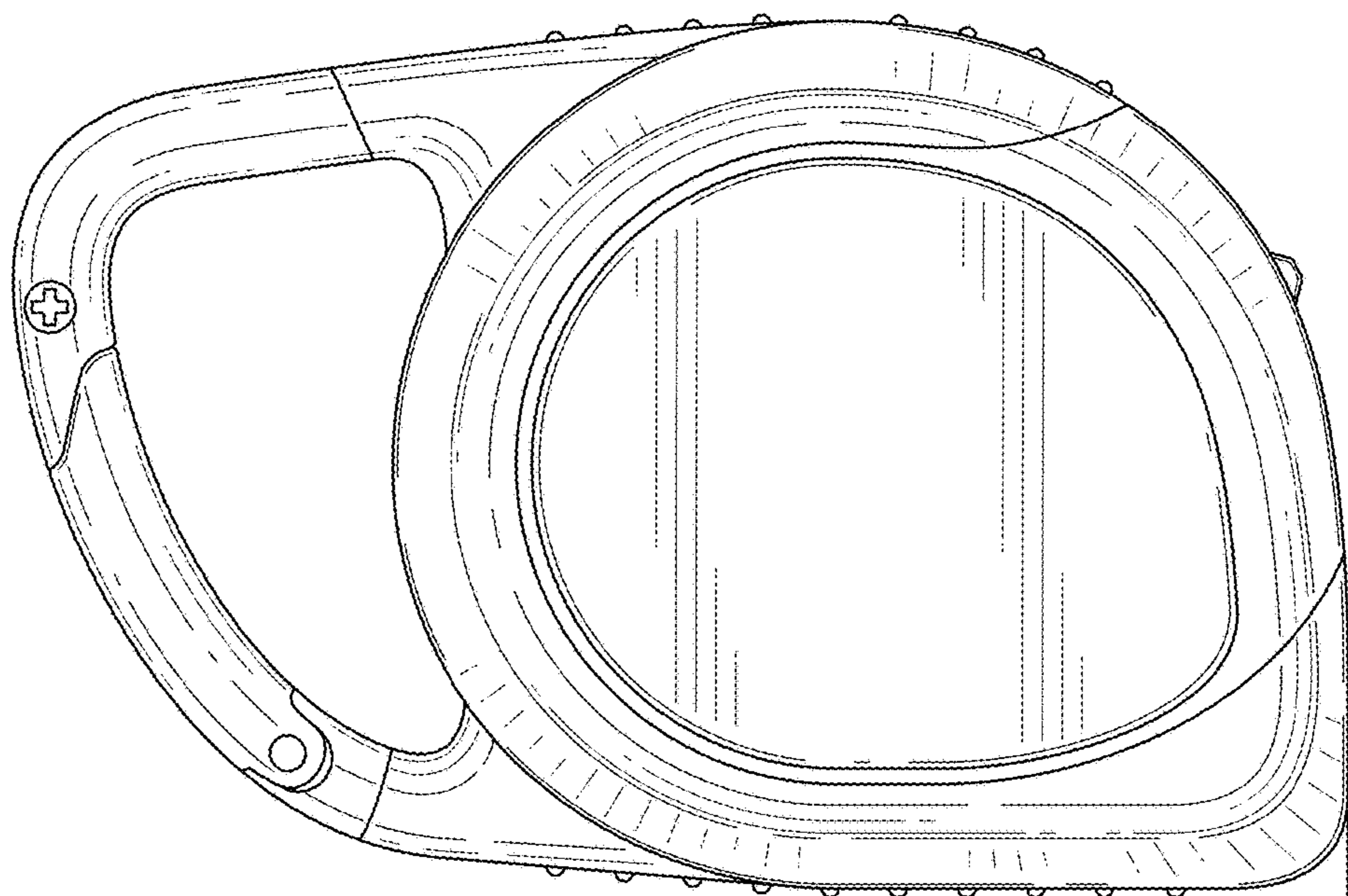


FIG. 15

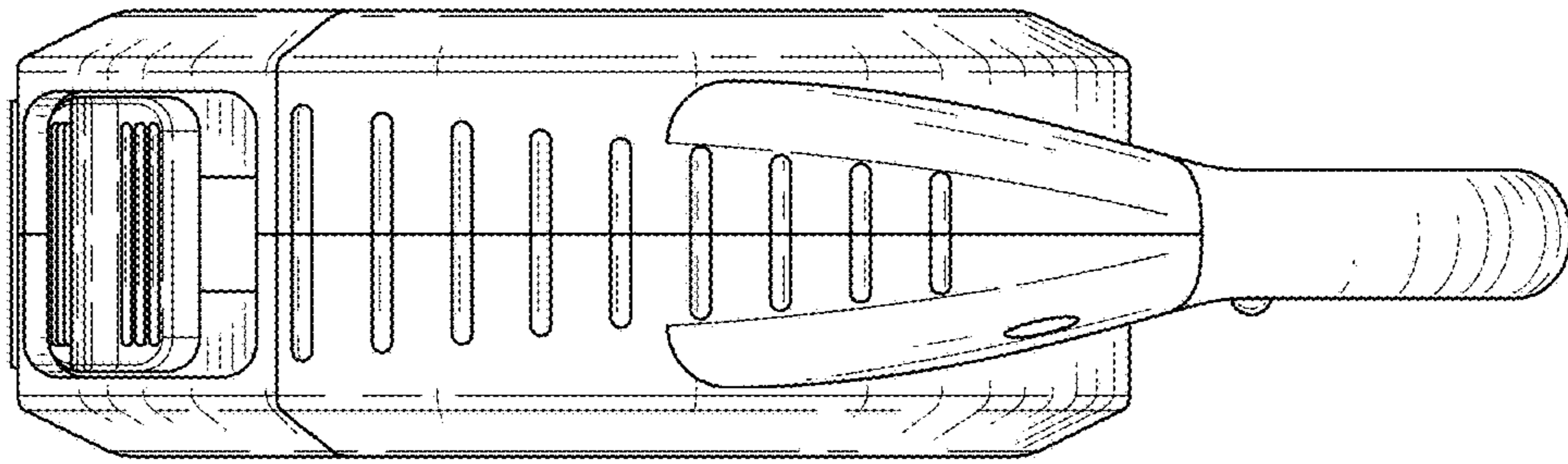


FIG. 16

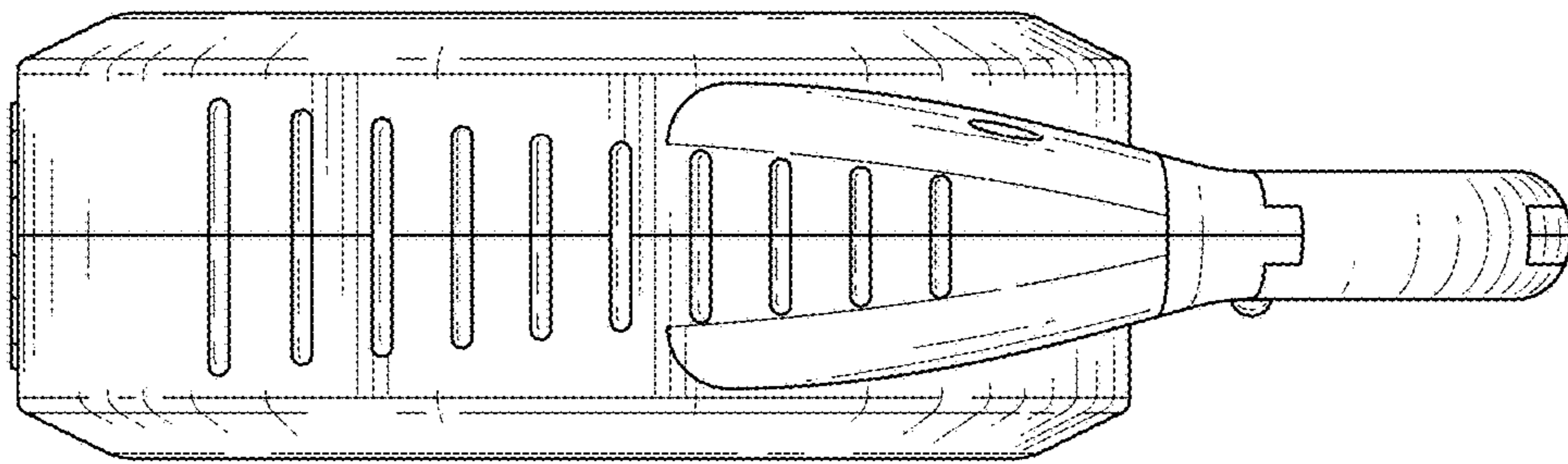


FIG. 17

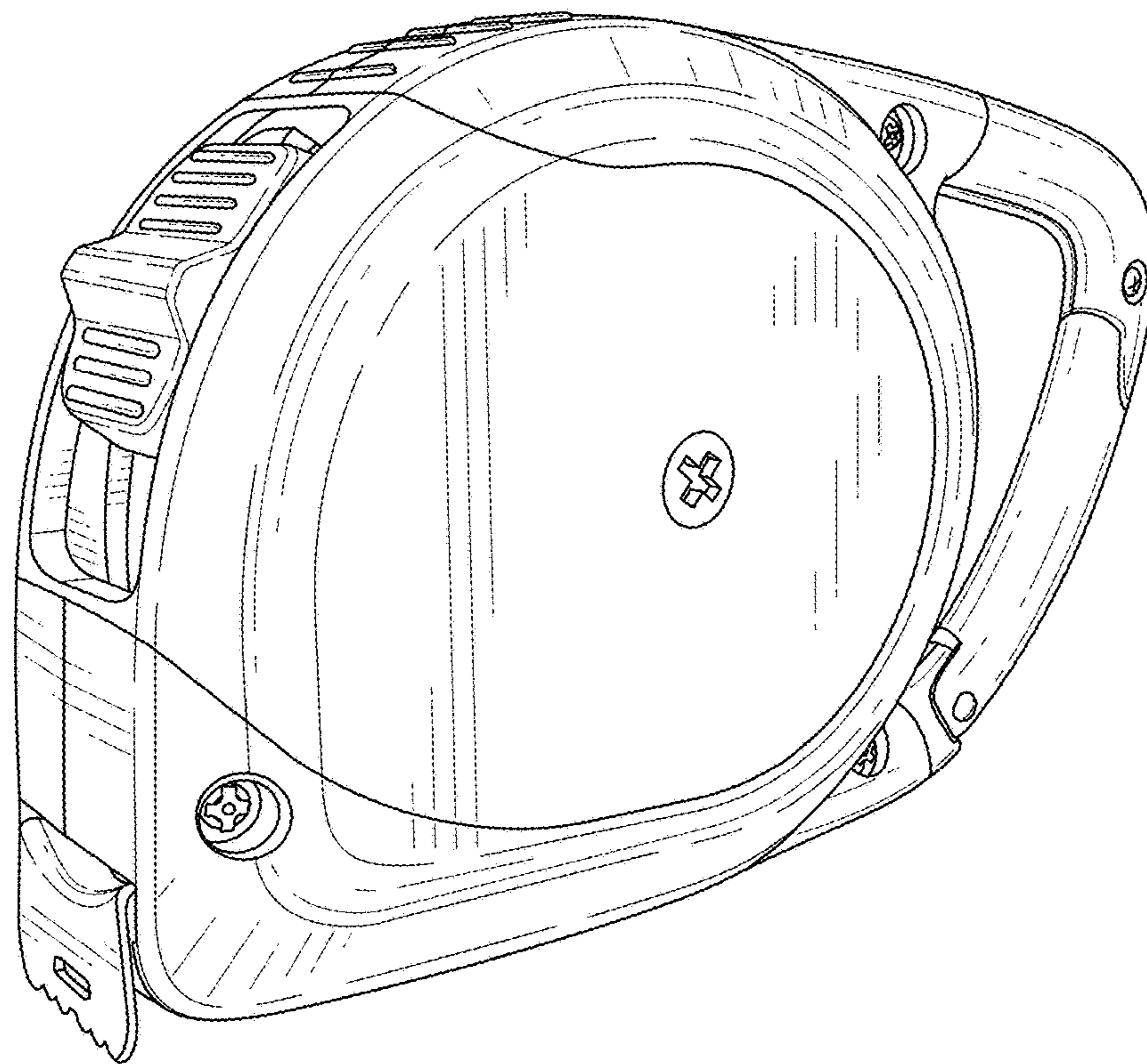


FIG. 18

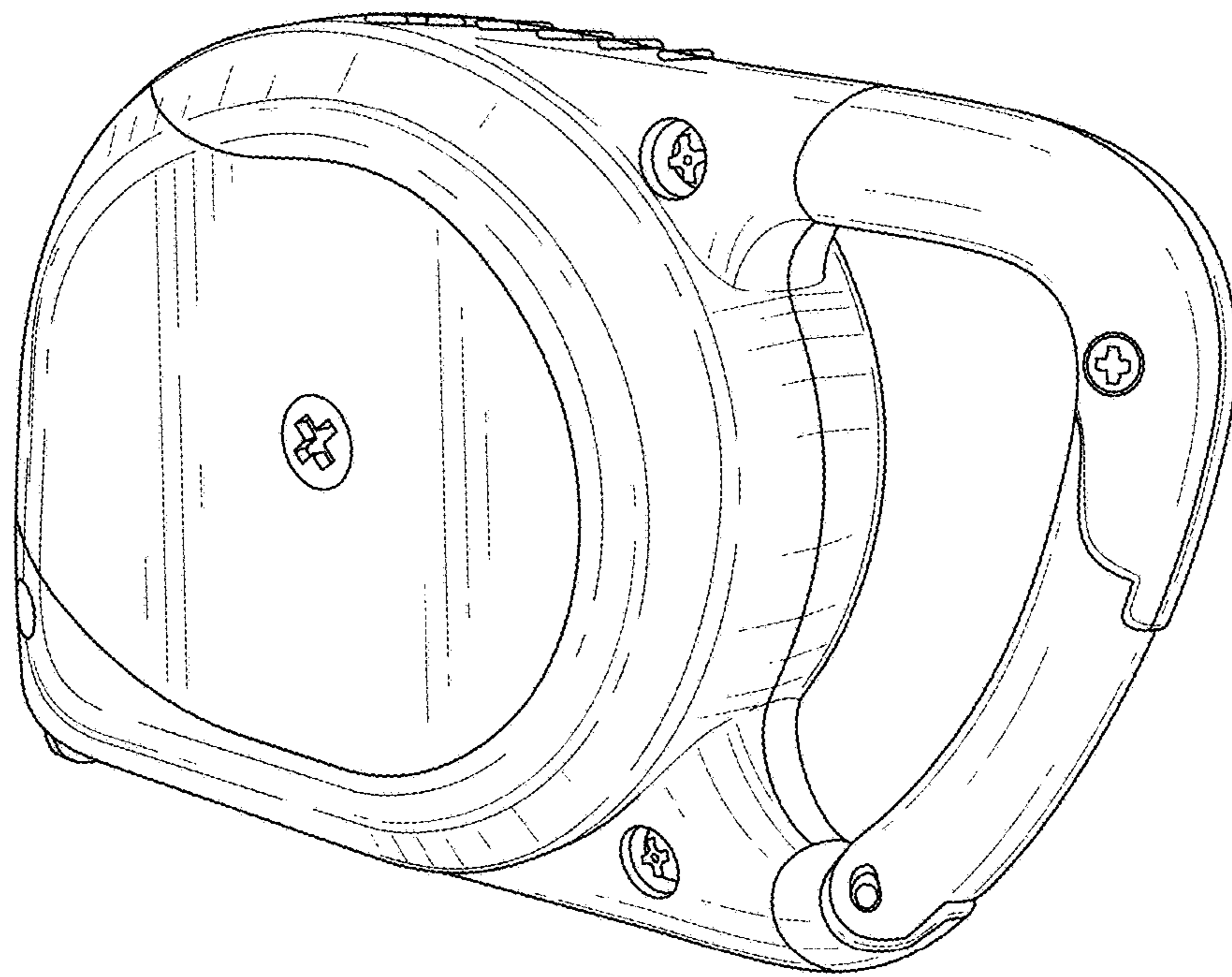


FIG. 19

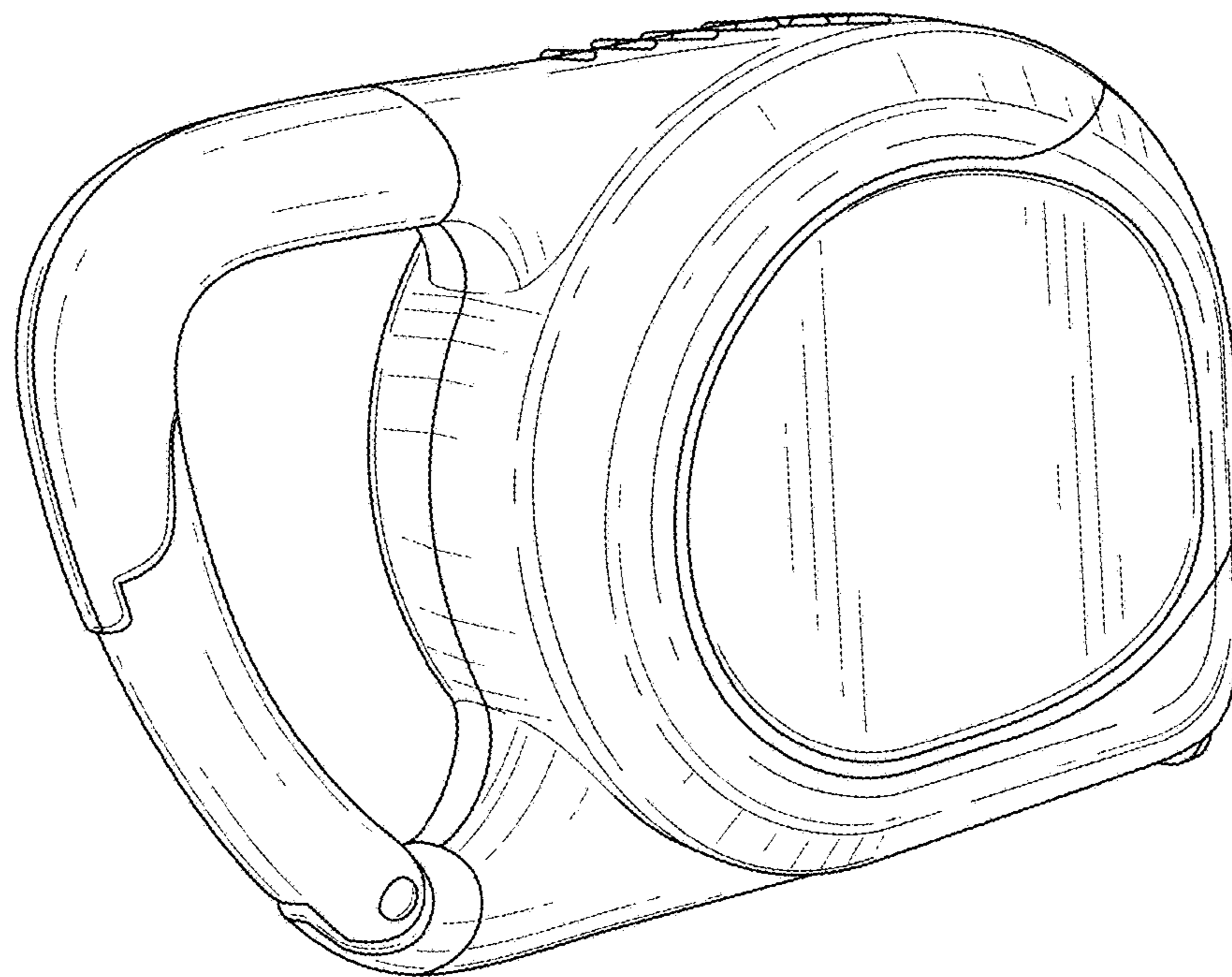


FIG. 20