



US00D858320S

(12) **United States Design Patent** (10) **Patent No.:** **US D858,320 S**
Wang (45) **Date of Patent:** **** Sep. 3, 2019**

(54) **FOOD THERMOMETER**

D506,688 S 6/2005 Rund
D837,668 S * 1/2019 Zou D10/57
D841,494 S 2/2019 Liu

(71) Applicant: **FINEMOLD TECHNOLOGIES CO., LIMITED**, Shenzhen (CN)

* cited by examiner

(72) Inventor: **Baohong Wang**, Shaoyang (CN)

Primary Examiner — Antoine Duval Davis

(**) Term: **15 Years**

(74) *Attorney, Agent, or Firm* — Erson IP (Nelson IP)

(21) Appl. No.: **29/688,225**

(57) **CLAIM**

(22) Filed: **Apr. 19, 2019**

The ornamental design for a food thermometer, as shown and described.

(51) **LOC (12) Cl.** **10-04**

(52) **U.S. Cl.**
USPC **D10/57**

DESCRIPTION

(58) **Field of Classification Search**

USPC D10/57
CPC G01K 2207/02; G01K 2207/04; G01K 2207/06; G01K 2207/08

FIG. 1 is a perspective view of a food thermometer showing my new design;
FIG. 2 is a front view thereof;
FIG. 3 is a rear view thereof;
FIG. 4 is a left side view thereof;
FIG. 5 is a right side view thereof;
FIG. 6 is a top plan view thereof; and,
FIG. 7 is a bottom plan view thereof.

See application file for complete search history.

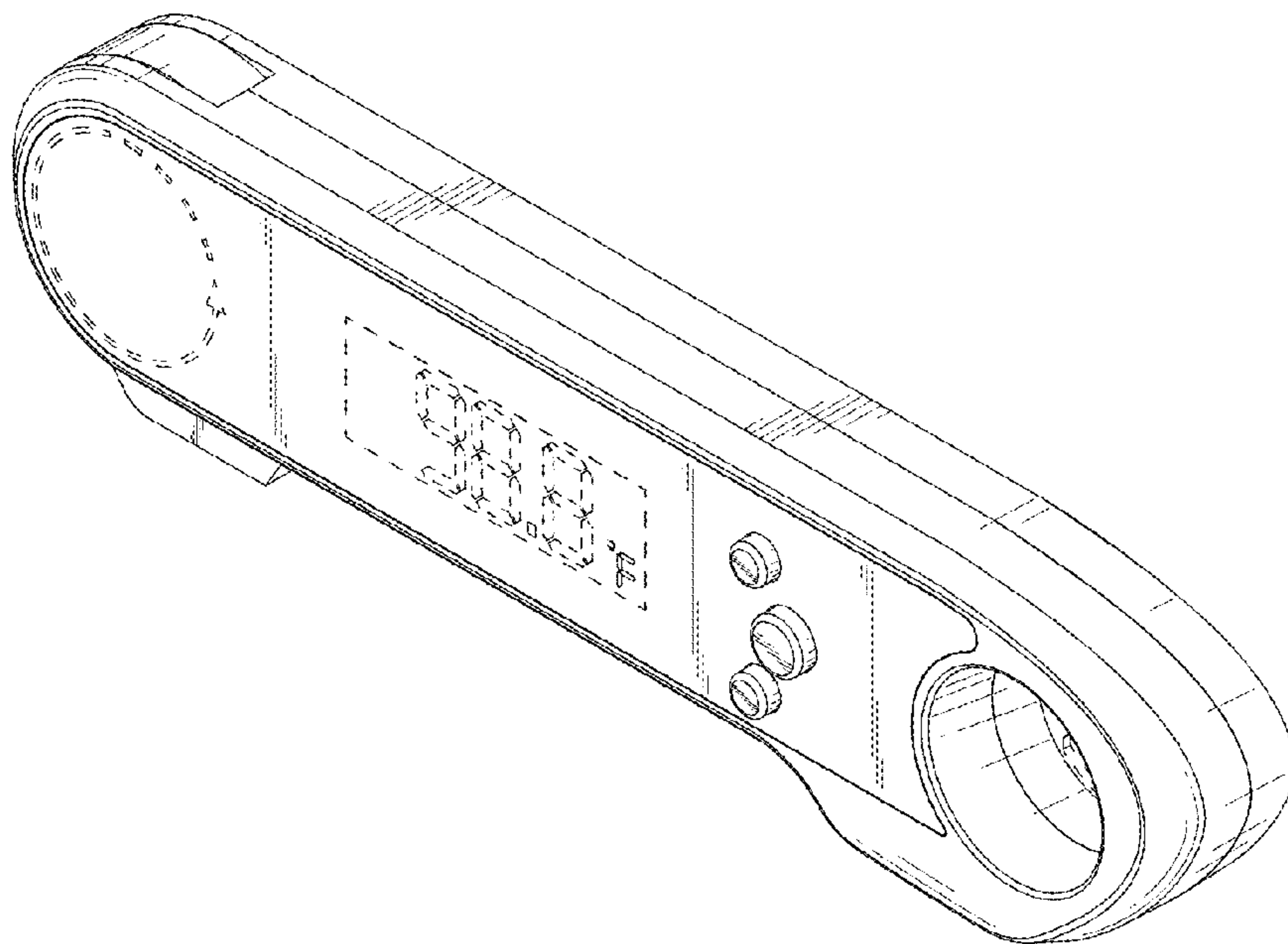
The broken lines are for the purposes of illustrating portions of the food thermometer and form no part of the claimed design.

(56) **References Cited**

U.S. PATENT DOCUMENTS

6,056,435 A * 5/2000 Pompei G01J 5/0022
374/133
6,319,206 B1 * 11/2001 Pompei G01J 5/0022
374/E13.003

1 Claim, 7 Drawing Sheets



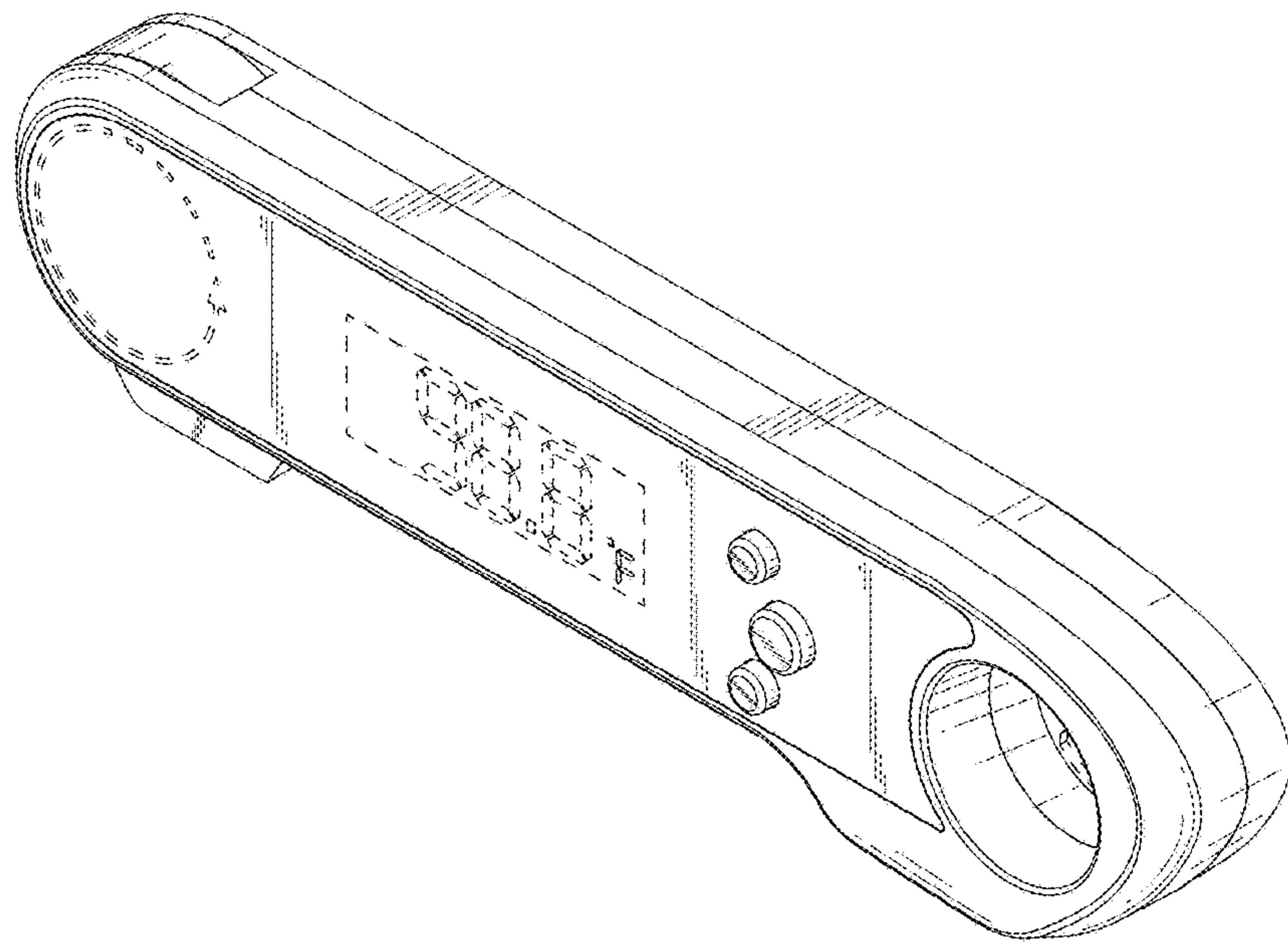


FIG. 1

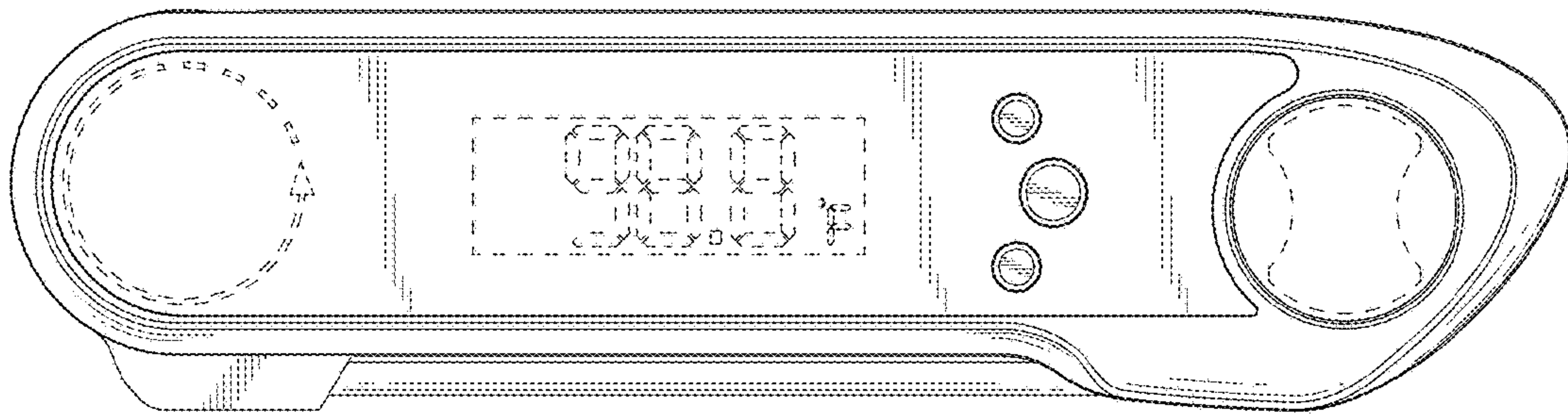


FIG. 2

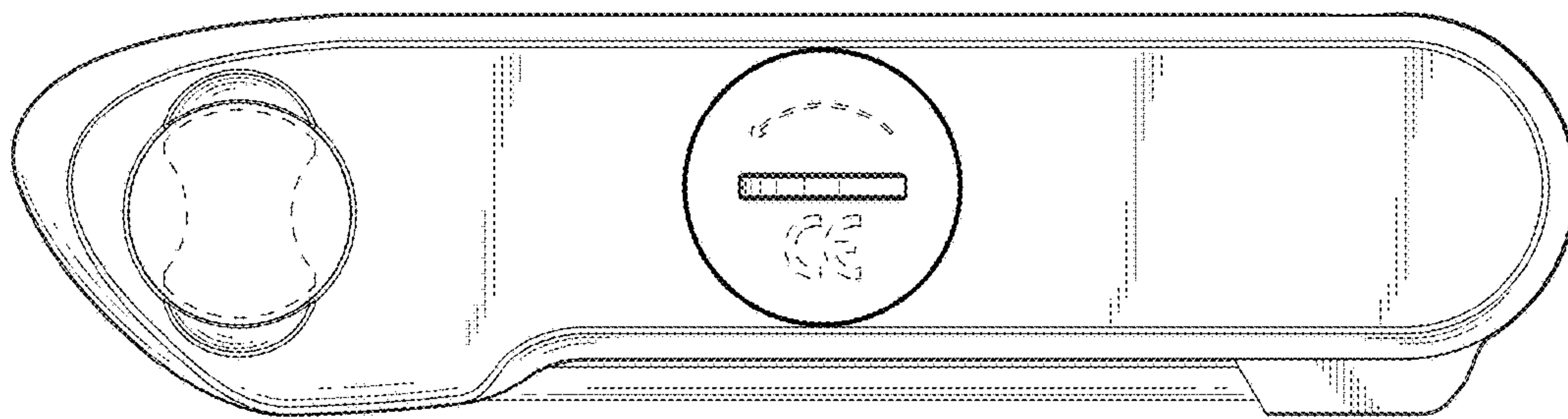


FIG. 3

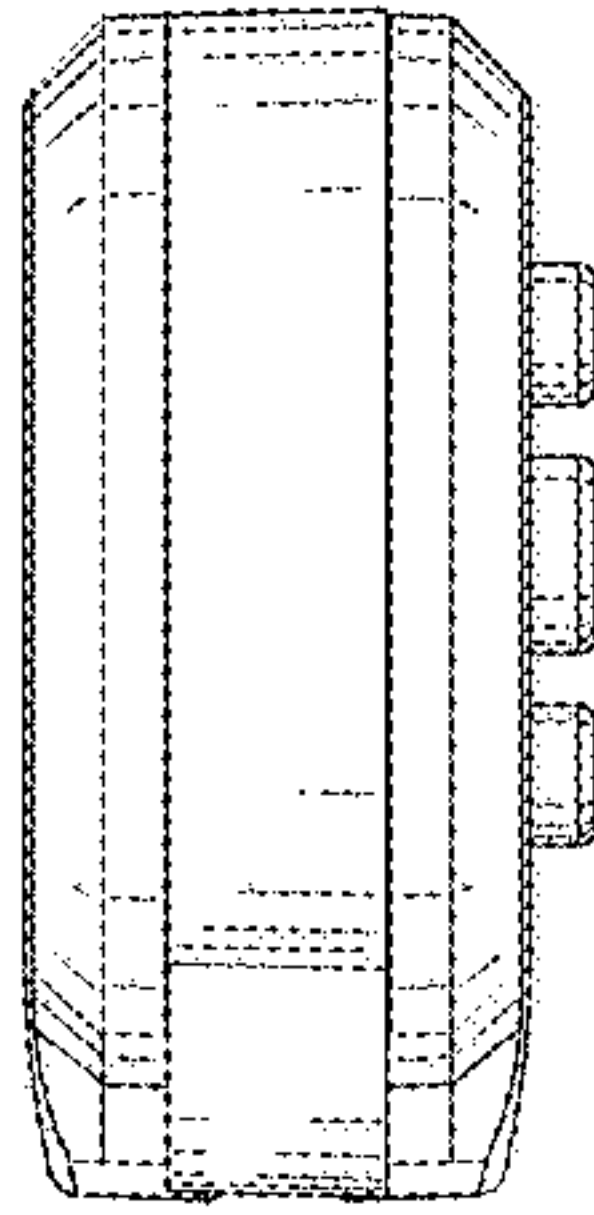


FIG. 4

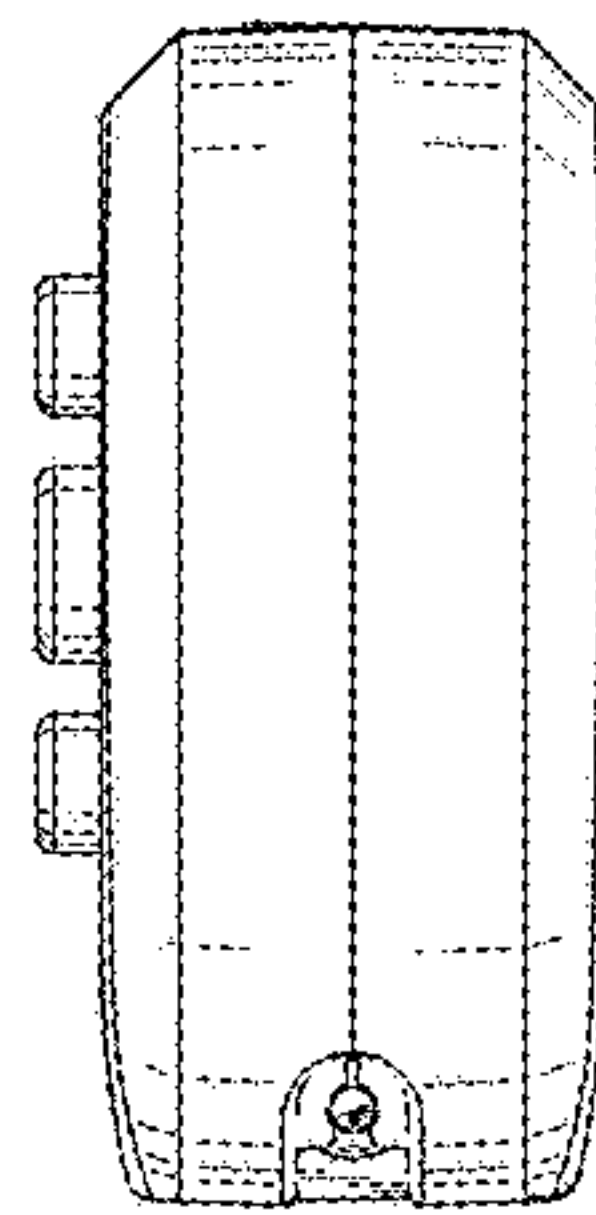


FIG. 5

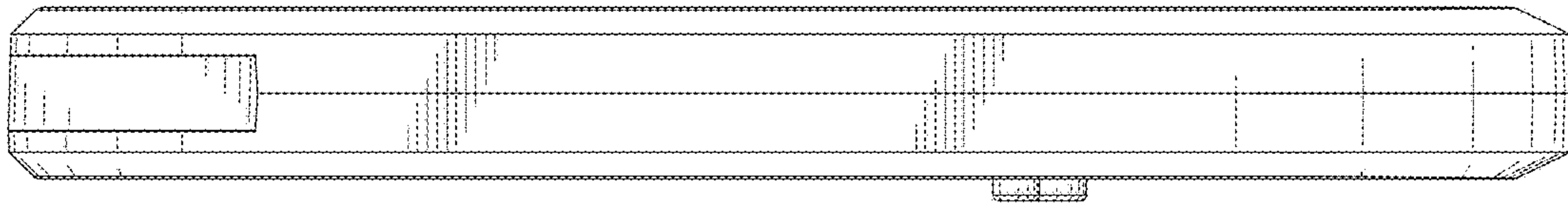


FIG. 6

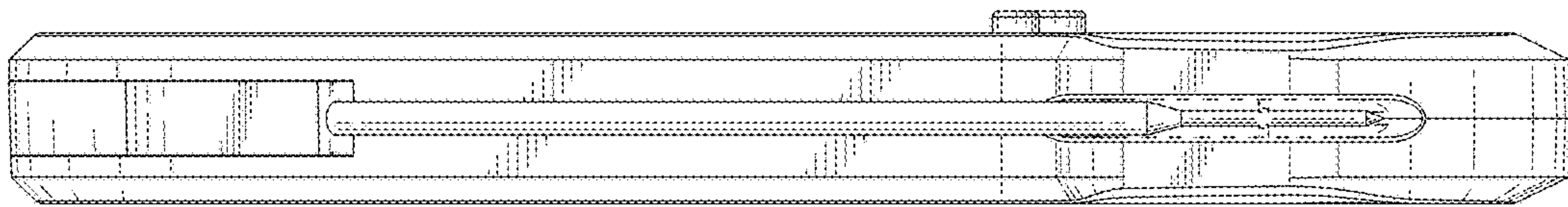


FIG. 7