



US00D858319S

(12) **United States Design Patent** (10) **Patent No.:** **US D858,319 S**  
**Liu** (45) **Date of Patent:** **\*\* Sep. 3, 2019**

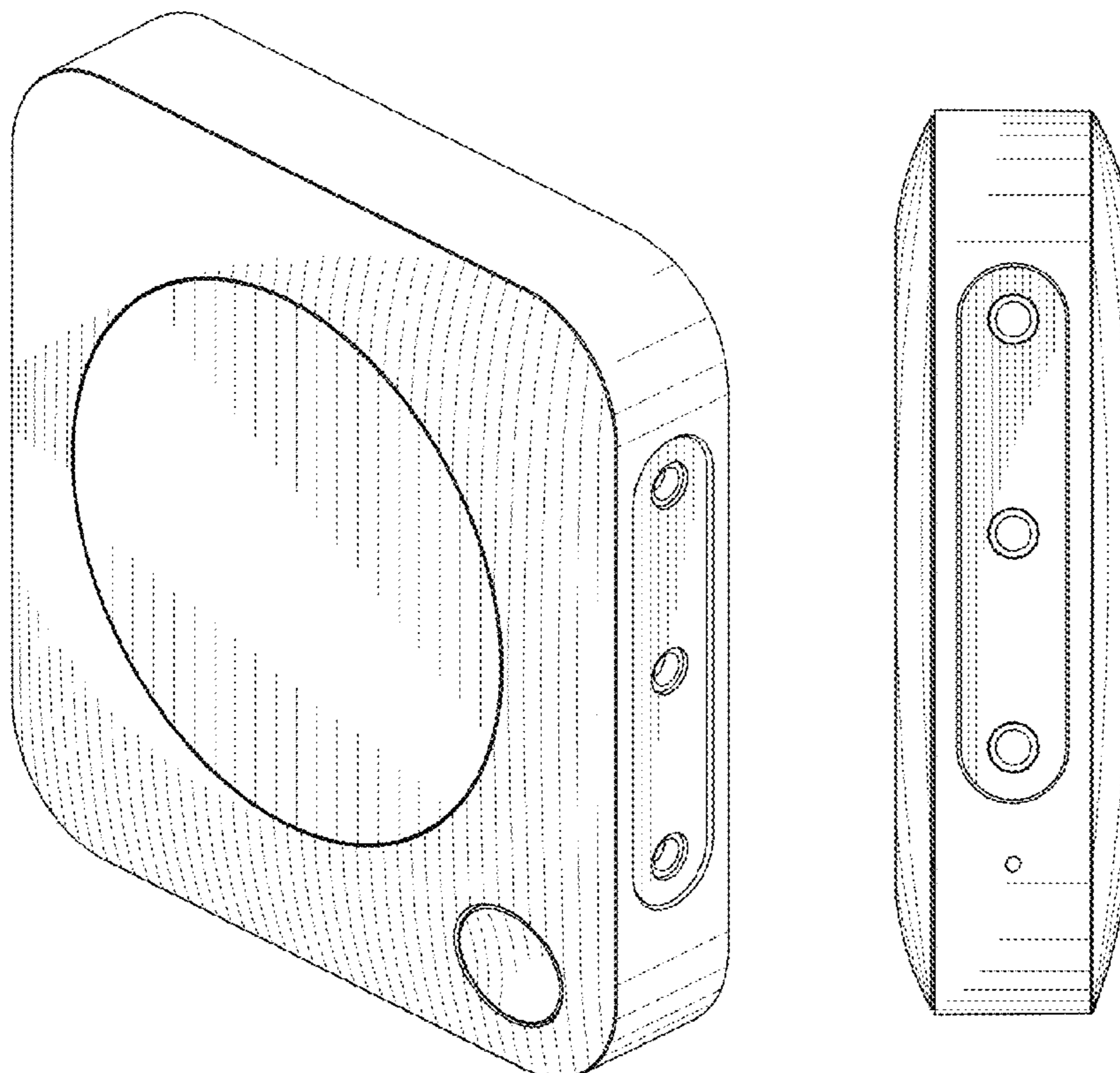
(54) **WIRELESS COOKING THERMOMETER**  
(71) Applicant: **SZ BLUE SCIENCE INTELLIGENT TECHNOLOGY CO., LTD.**,  
Shenzhen, Guangdong (CN)  
(72) Inventor: **Zhiwu Liu**, Shenzhen (CN)  
(73) Assignee: **SZ BLUE SCIENCE INTELLIGENT TECHNOLOGY CO., LTD.**,  
Shenzhen, Guangdong (CN)  
(\*\*) Term: **15 Years**  
(21) Appl. No.: **29/647,841**  
(22) Filed: **May 16, 2018**  
(51) **LOC (12) Cl.** ..... **10-04**  
(52) **U.S. Cl.**  
USPC ..... **D10/57**  
(58) **Field of Classification Search**  
USPC ..... D10/57  
CPC ..... G01K 2207/02; G01K 2207/04; G01K  
2207/06; G01K 2207/08  
See application file for complete search history.

(56) **References Cited**  
U.S. PATENT DOCUMENTS  
D472,480 S \* 4/2003 Chung ..... D10/57  
D473,150 S \* 4/2003 Chung ..... D10/57  
D840,846 S \* 2/2019 Liu ..... D10/57  
D841,494 S \* 2/2019 Liu ..... D10/57  
\* cited by examiner  
*Primary Examiner* — Antoine Duval Davis  
(74) *Attorney, Agent, or Firm* — Juan Carlos A. Marquez;  
Marquez IP Law Office, PLLC

(57) **CLAIM**  
I claim the ornamental design for a wireless cooking thermometer, as shown and described.

**DESCRIPTION**  
FIG. 1 is a perspective view of a wireless cooking thermometer showing my new design;  
FIG. 2 is a front elevation view thereof;  
FIG. 3 is a rear elevation view thereof;  
FIG. 4 is a left-side elevation view thereof;  
FIG. 5 is a right-side elevation view thereof;  
FIG. 6 is a top elevation view thereof; and,  
FIG. 7 is a bottom elevation view thereof.

**1 Claim, 6 Drawing Sheets**



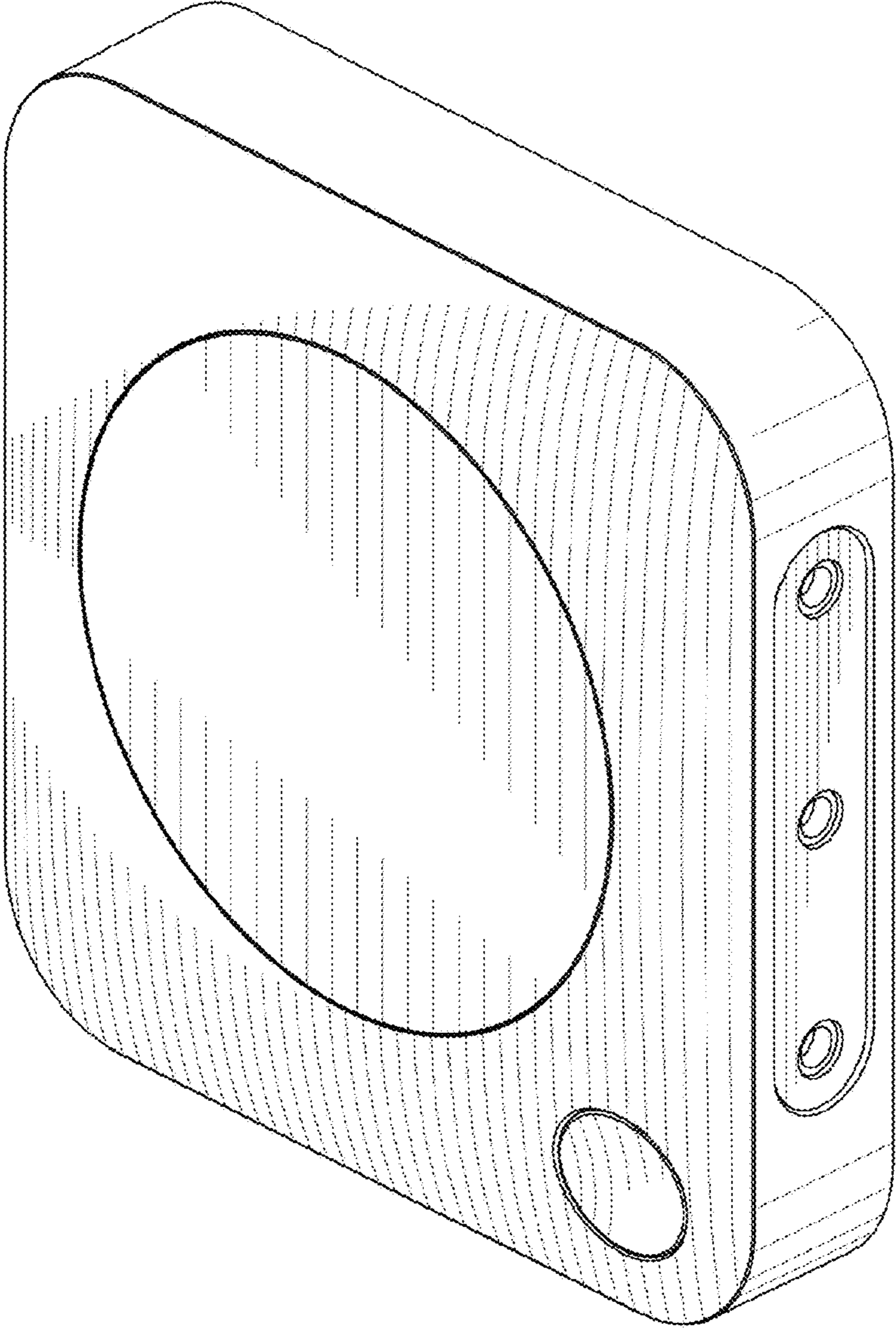


FIG. 1

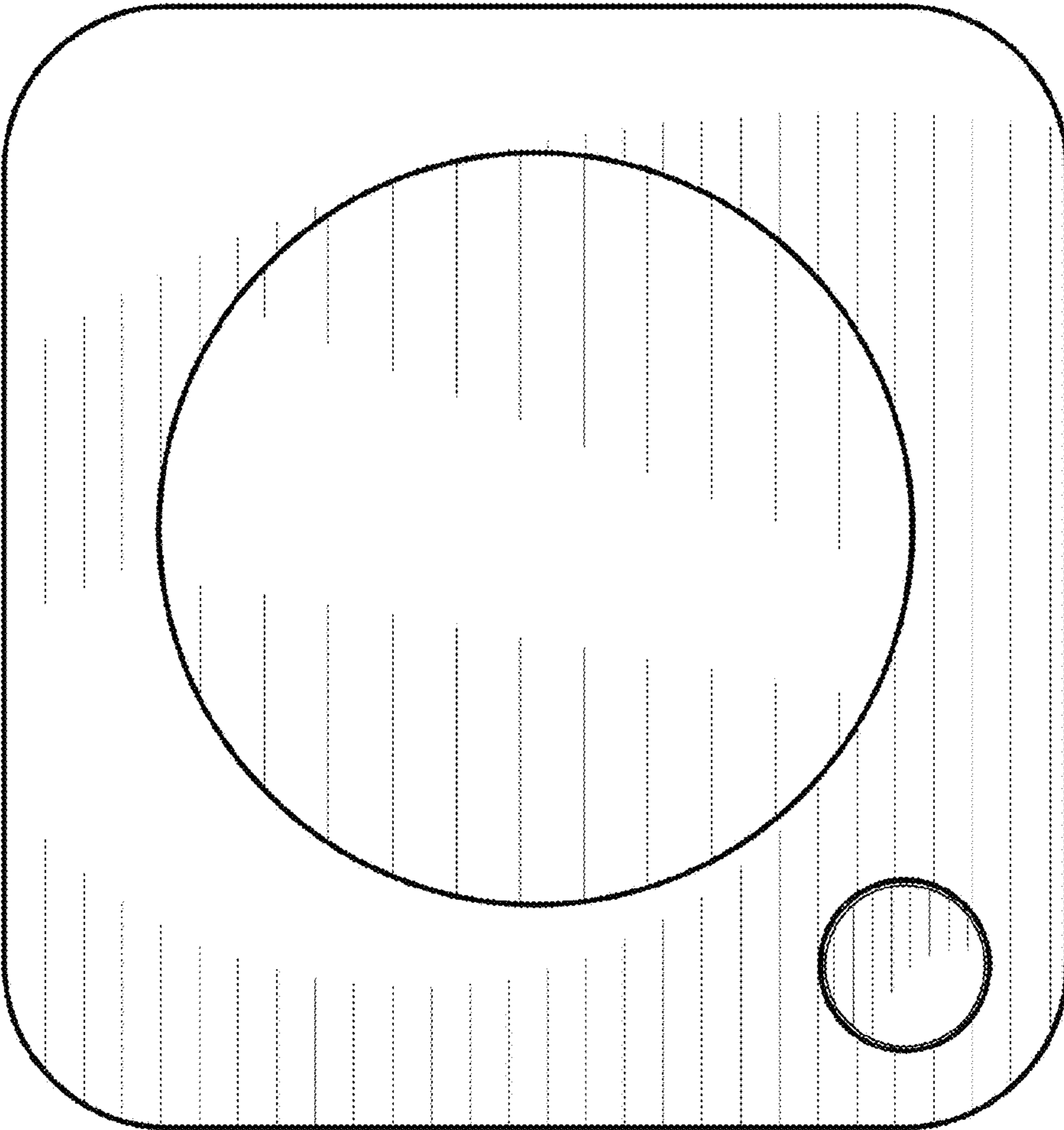


FIG. 2

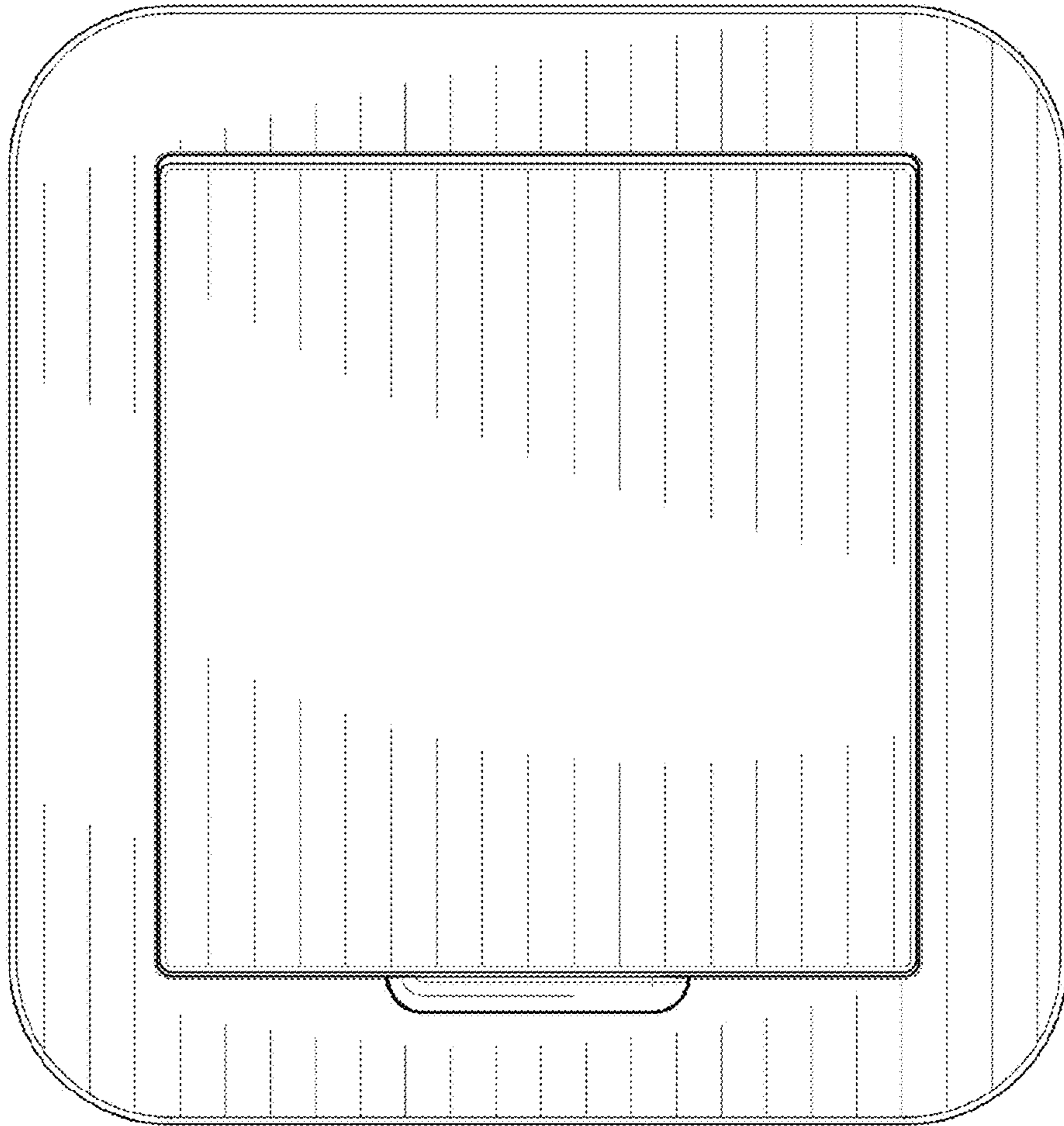


FIG. 3

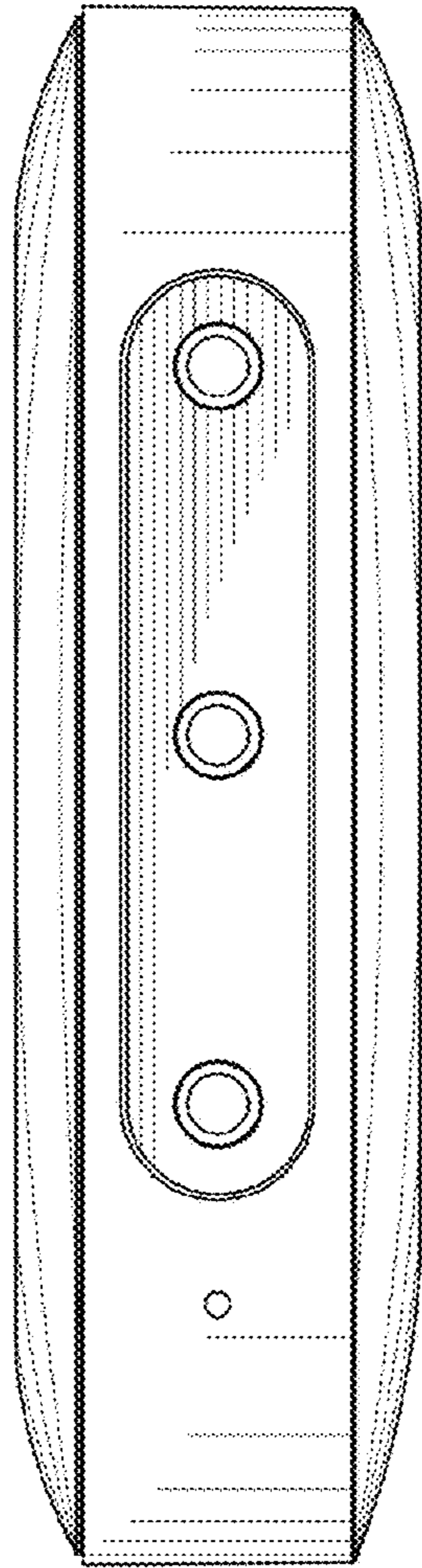


FIG. 4

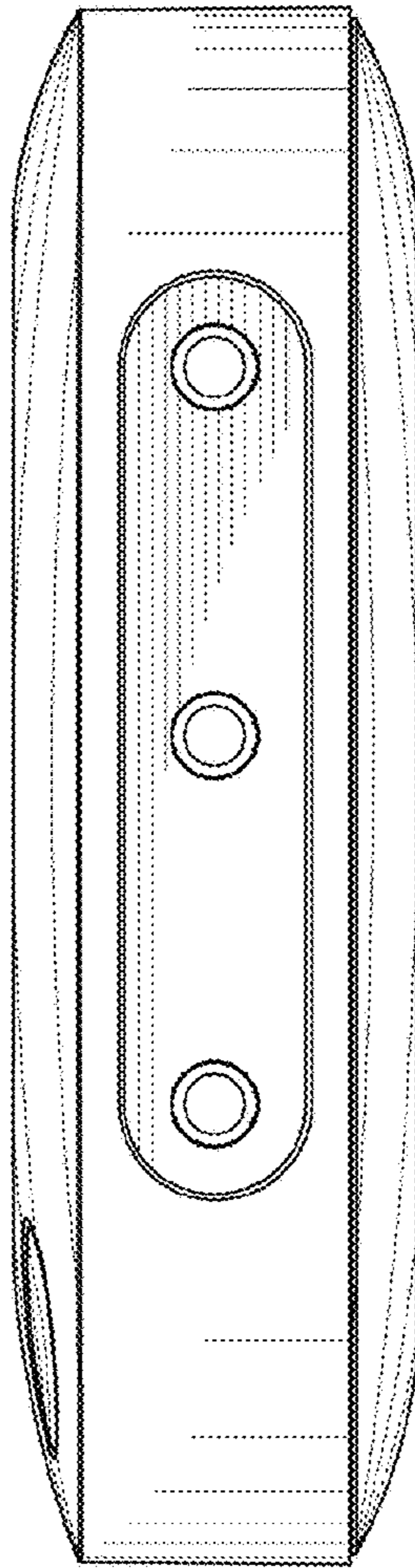


FIG. 5

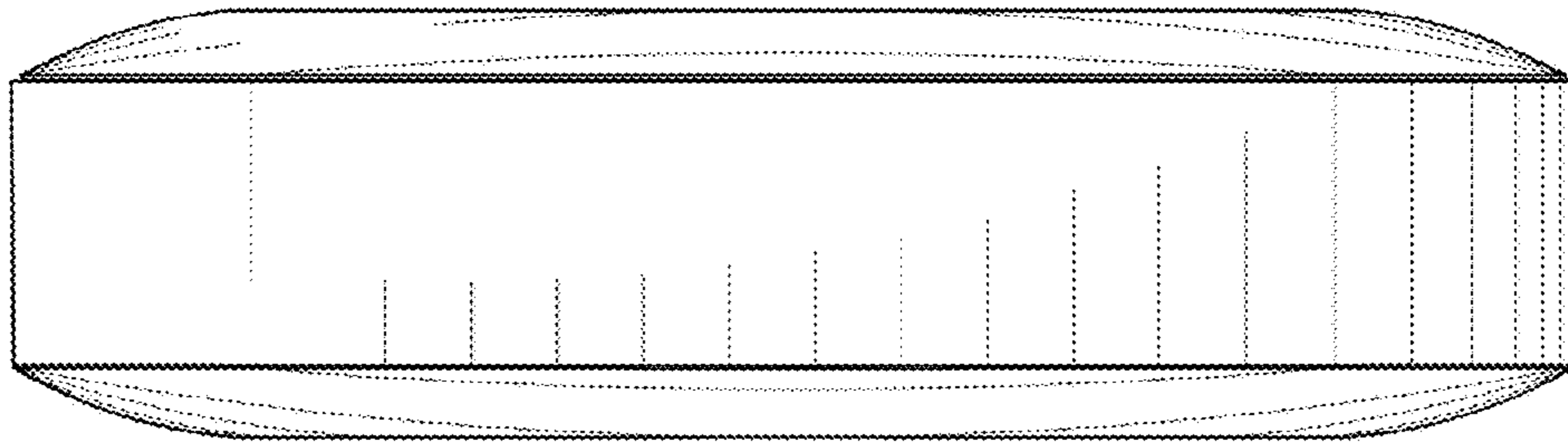


FIG. 6

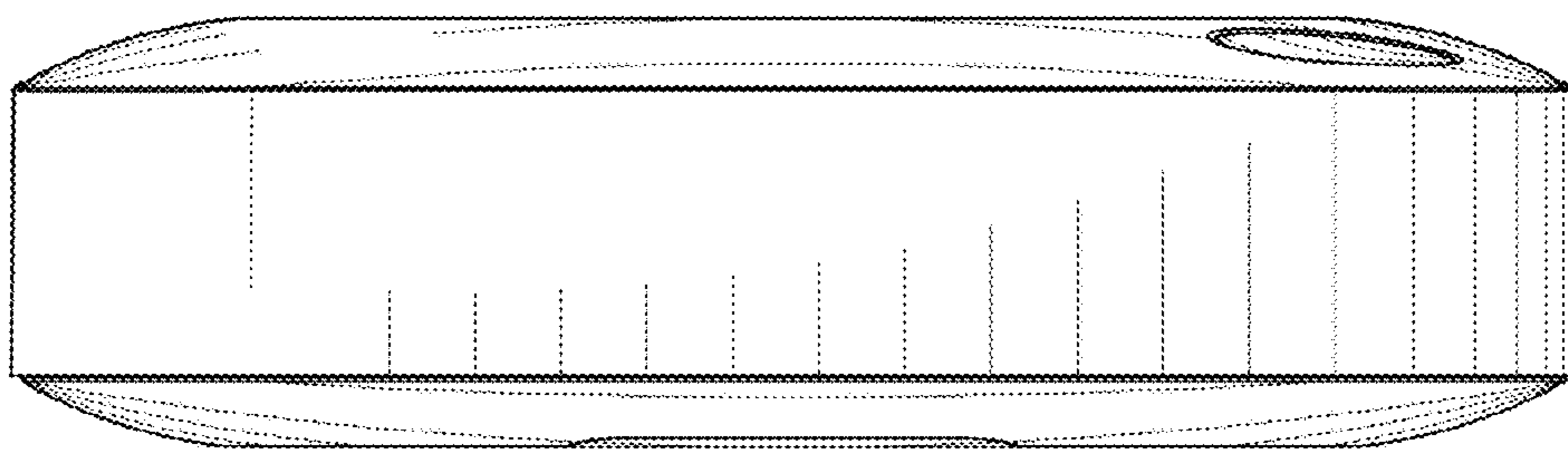


FIG. 7