



US00D858317S

(12) **United States Design Patent** (10) **Patent No.:** **US D858,317 S**  
**Hu** (45) **Date of Patent:** **\*\* Sep. 3, 2019**

(54) **COMBINED THERMOMETER AND  
HYGROMETER**

FOREIGN PATENT DOCUMENTS

(71) Applicant: **SHENZHEN QIANHAI PATUOXUN  
NETWORK AND TECHNOLOGY  
CO., LTD**, Shenzhen (CN)

CN 304344232 11/2017  
EM 004024982-0001 6/2017

(72) Inventor: **Zaihui Hu**, Shenzhen (CN)

\* cited by examiner

(73) Assignee: **SHENZHEN QIANHAI PATUOXUN  
NETWORK AND TECHNOLOGY  
CO., LTD**, Shenzhen (CN)

*Primary Examiner* — Antoine Duval Davis  
(74) *Attorney, Agent, or Firm* — JCIP Global Inc.

(\*\*) Term: **15 Years**

(21) Appl. No.: **29/687,761**

(22) Filed: **Apr. 16, 2019**

(51) **LOC (12) Cl.** ..... **10-04**

(52) **U.S. Cl.**

USPC ..... **D10/53**

(58) **Field of Classification Search**

USPC ..... D10/52, 53, 57

CPC ..... G05D 23/1907; G01W 1/02; G01W 1/04;

G01W 1/06; G01W 1/11; G01N 17/00;

G01N 19/10; G01N 27/00; G01N 27/048

See application file for complete search history.

(56) **References Cited**

U.S. PATENT DOCUMENTS

D816,520 S \* 5/2018 Elrod ..... D10/52

D839,757 S \* 2/2019 Pang ..... D10/52

(57) **CLAIM**

The ornamental design for a combined thermometer and hygrometer, as shown and described.

**DESCRIPTION**

FIG. 1 is a perspective view of a combined thermometer and hygrometer showing my new design;

FIG. 2 is a front view thereof;

FIG. 3 is a rear view thereof;

FIG. 4 is a left side view thereof;

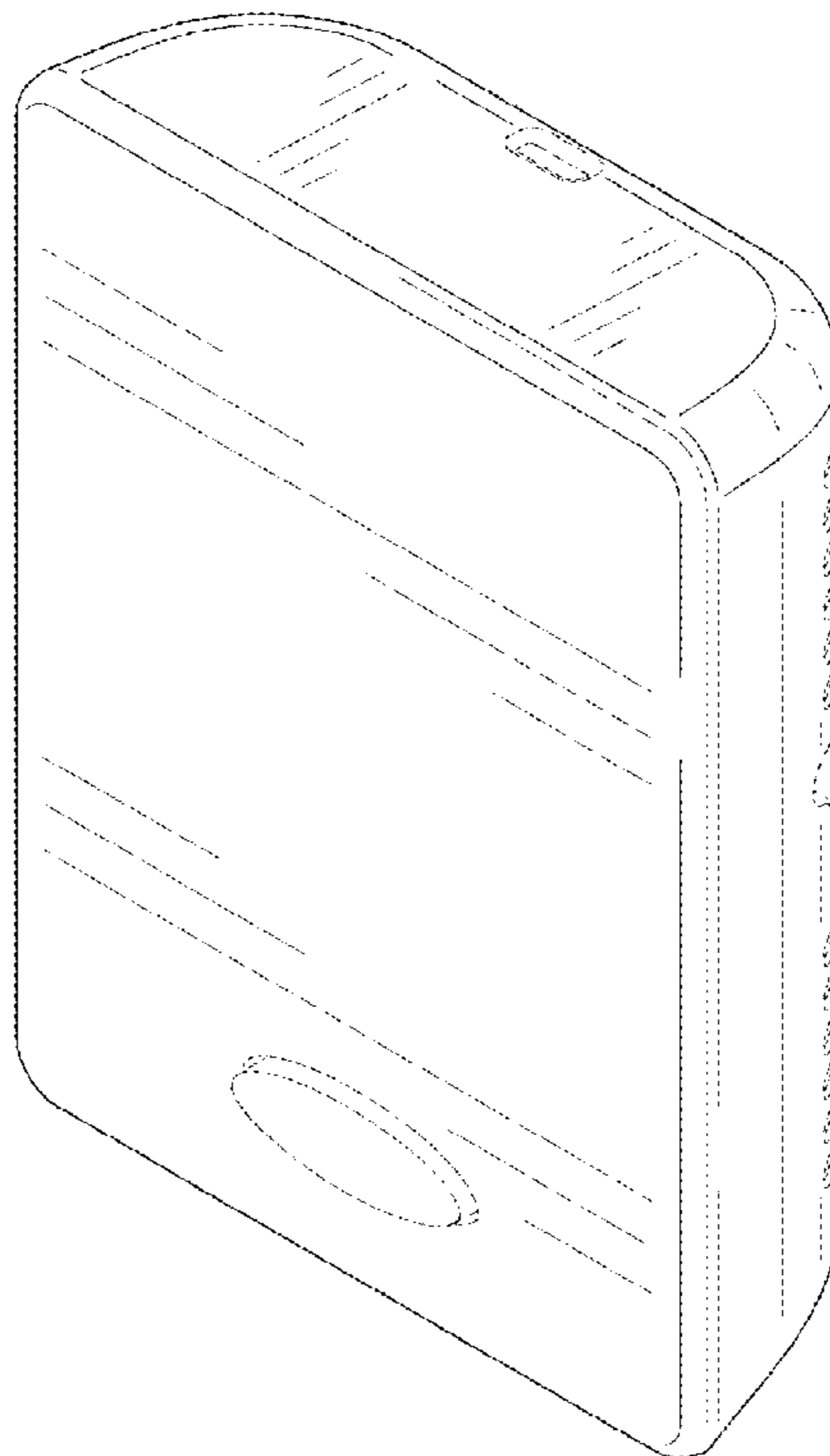
FIG. 5 is a right side view thereof;

FIG. 6 is a top view thereof; and,

FIG. 7 is a bottom view thereof.

The broken lines in the drawings represent environment and form no part of the claimed design.

**1 Claim, 5 Drawing Sheets**



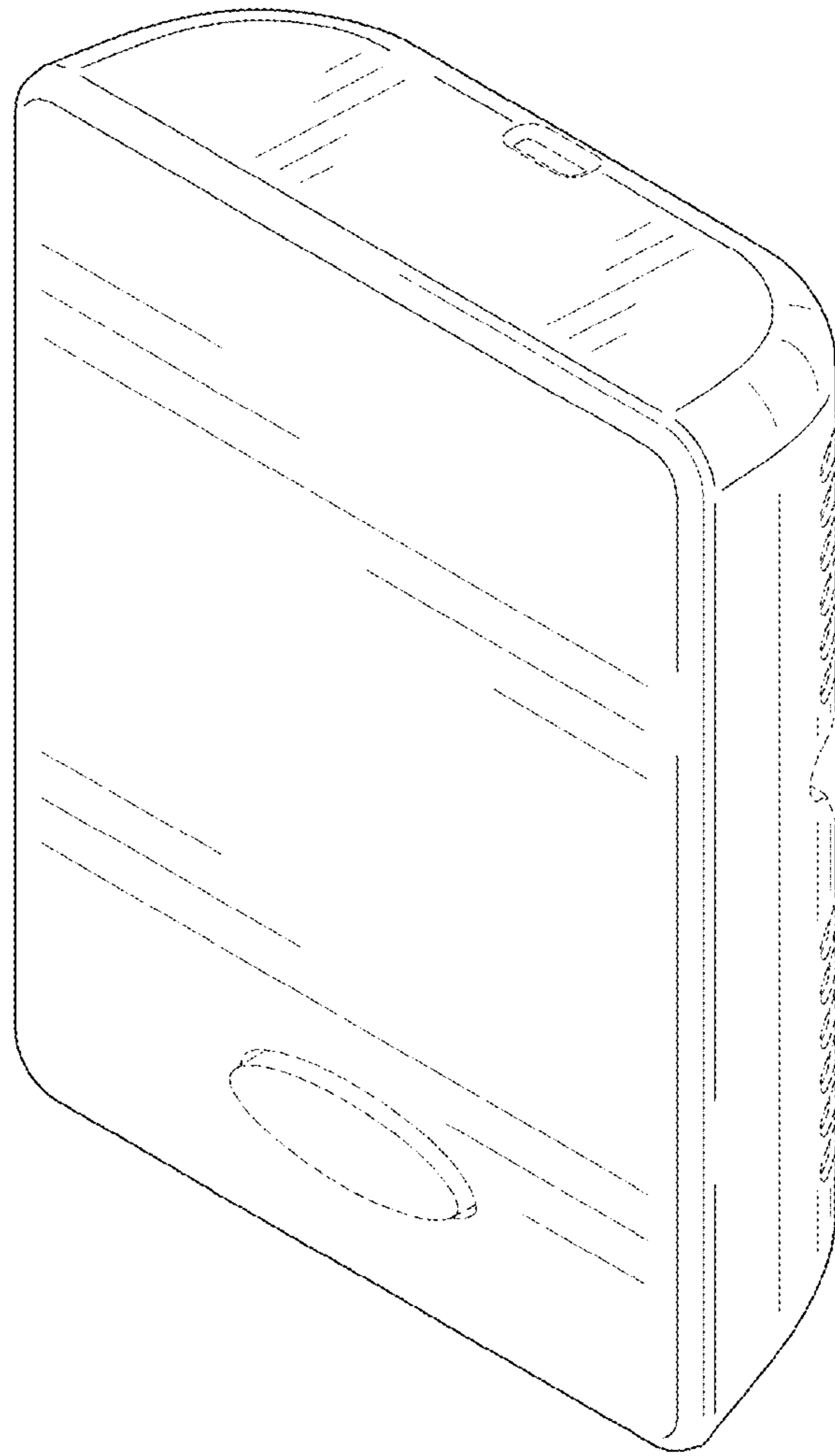


FIG. 1

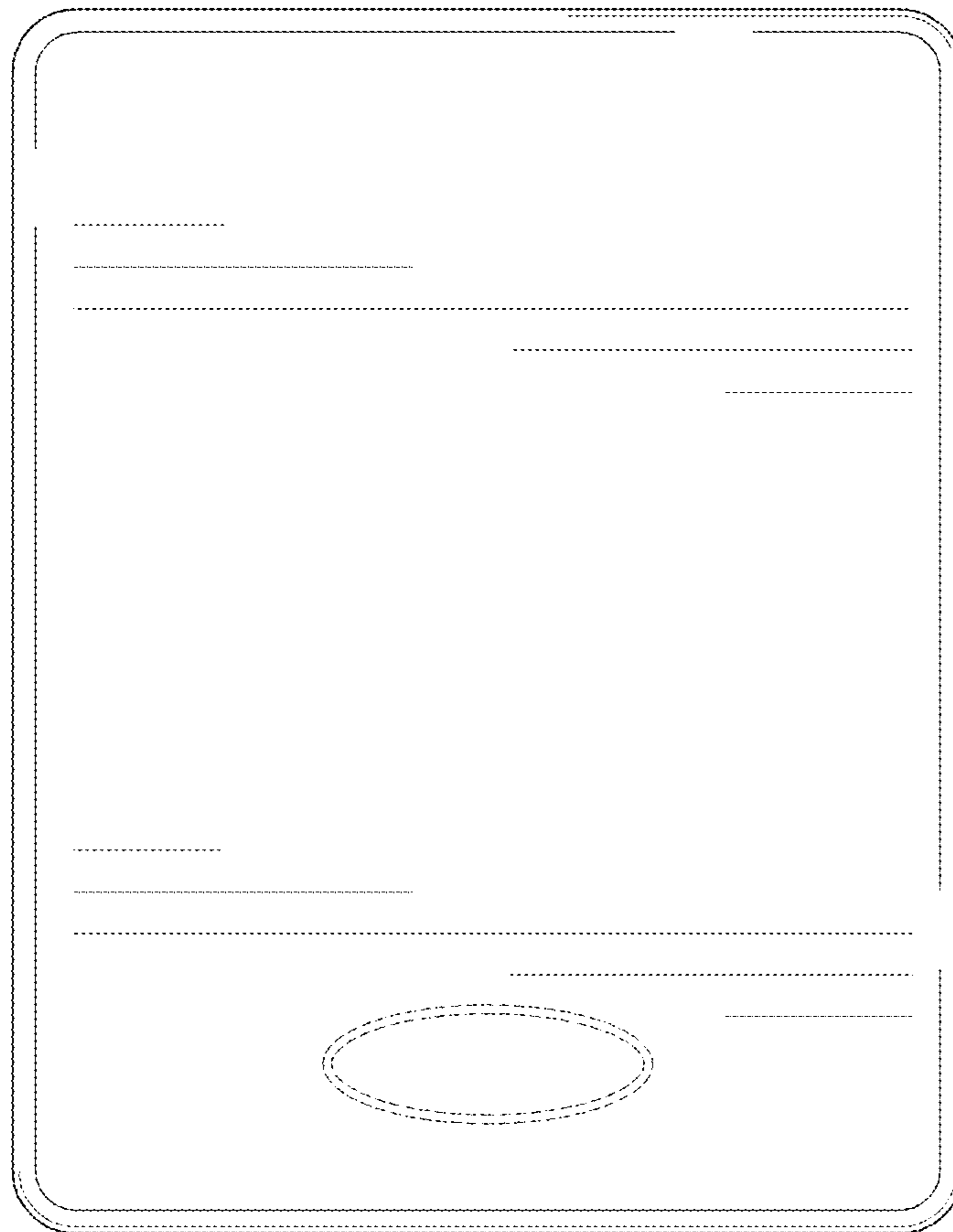


FIG. 2

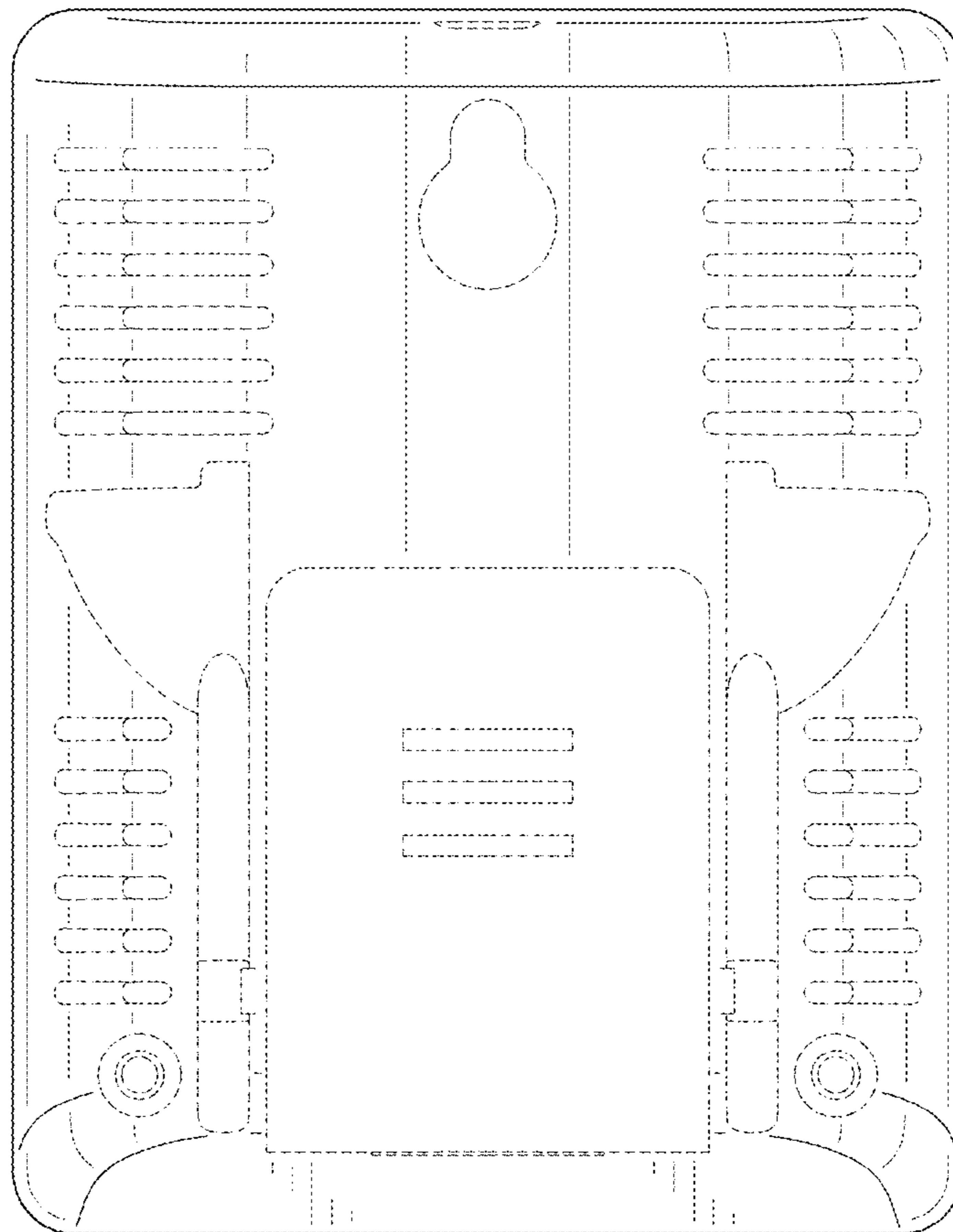


FIG. 3

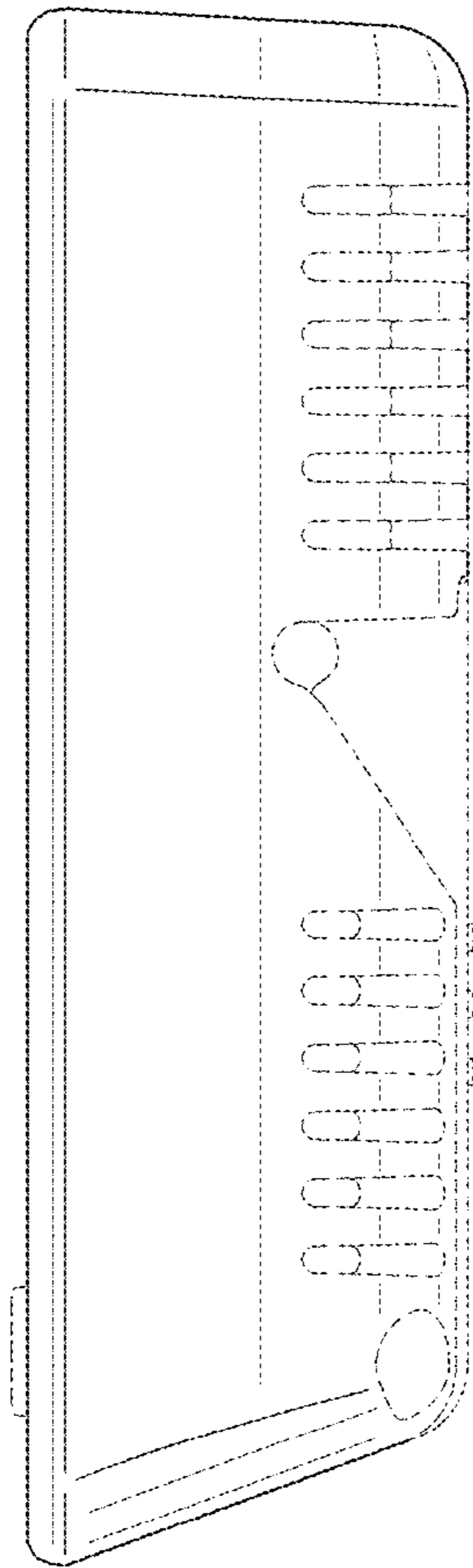


FIG. 4

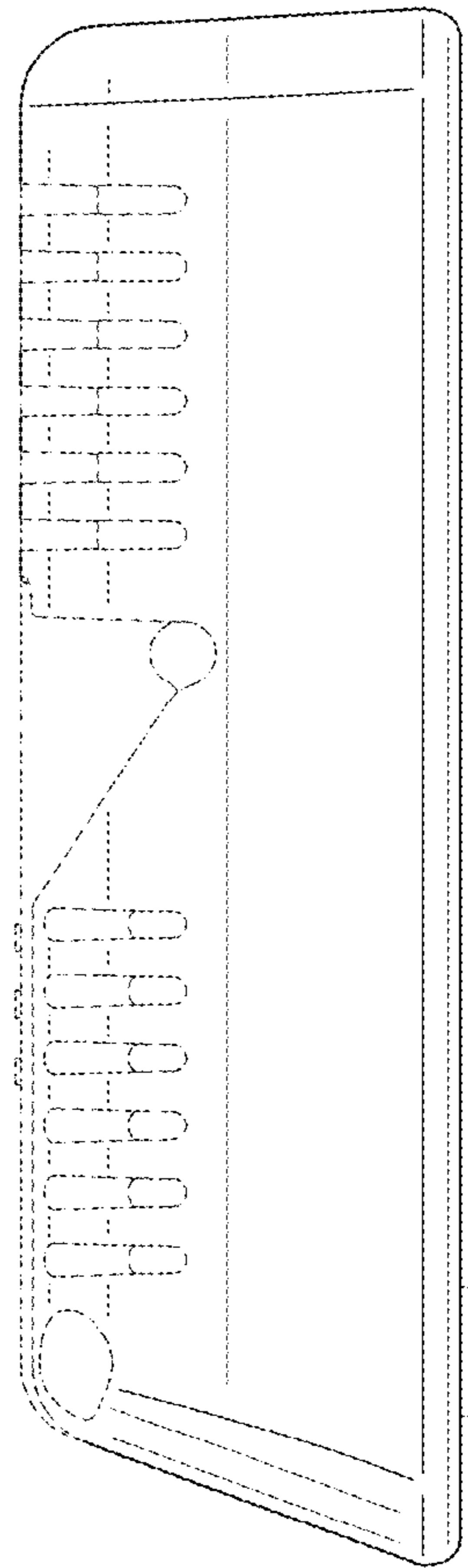


FIG. 5

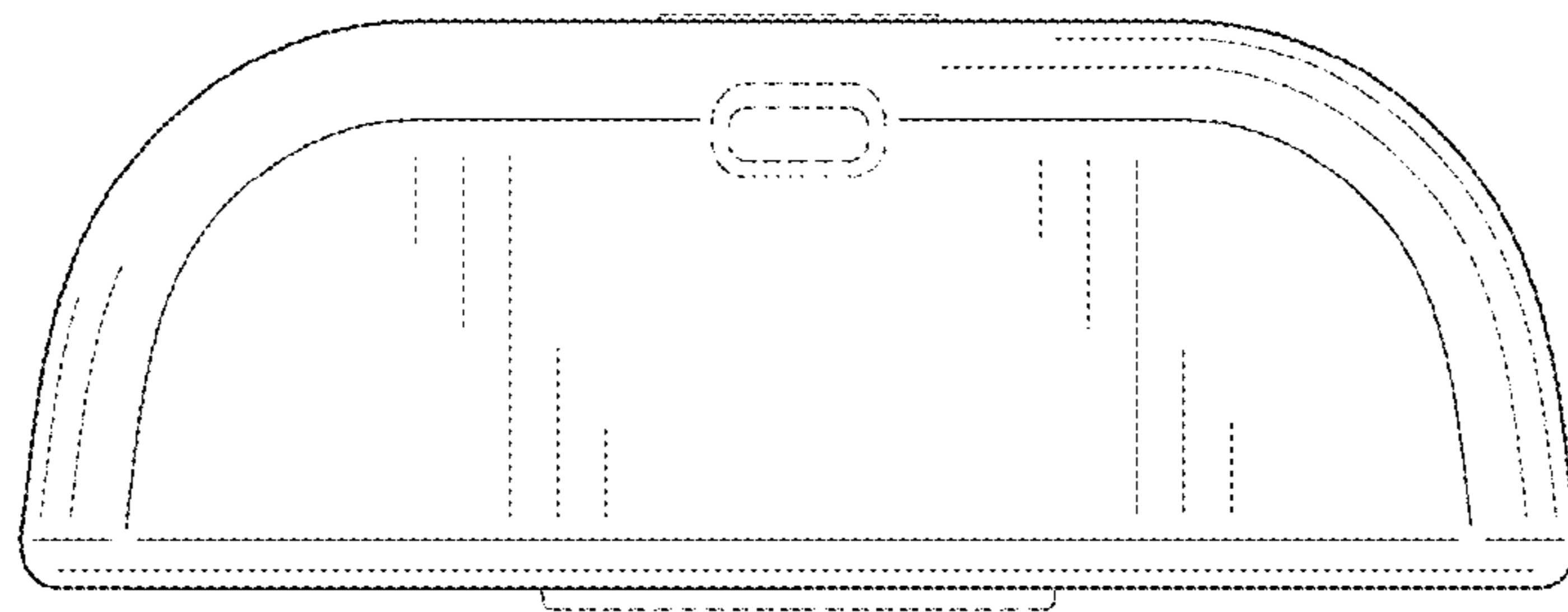


FIG. 6

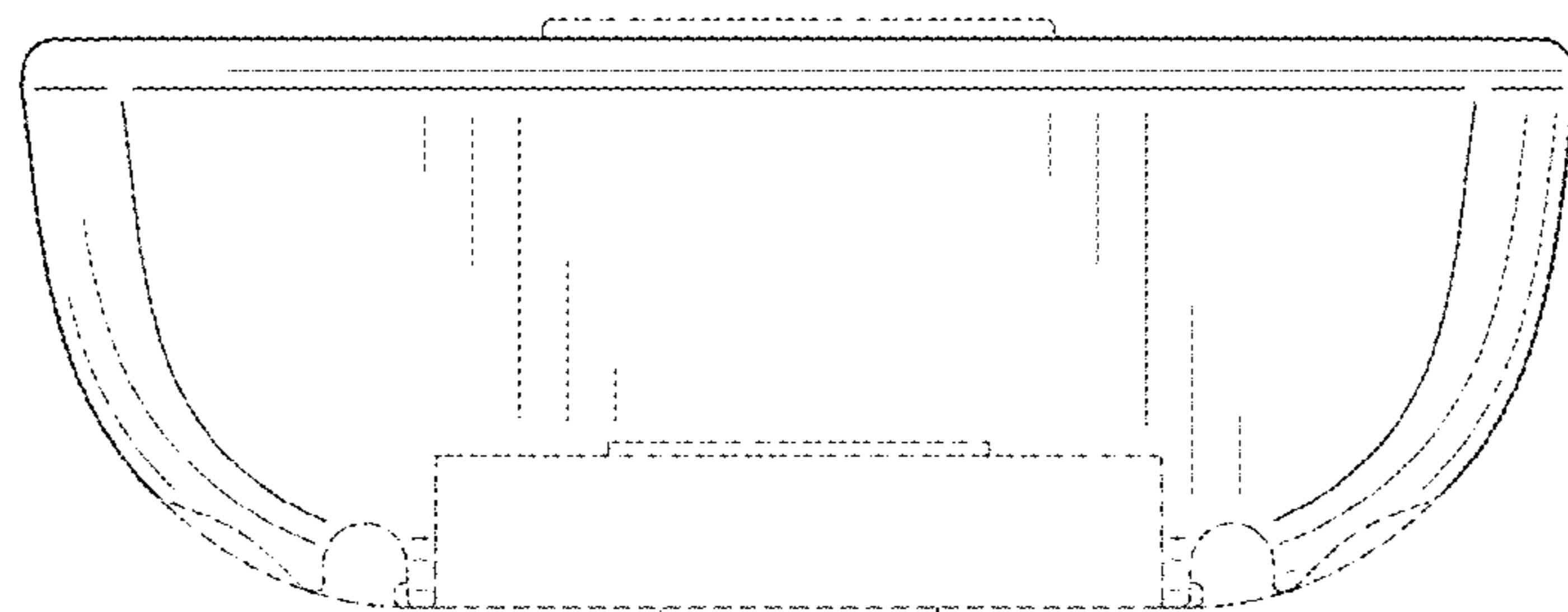


FIG. 7