



US00D858315S

(12) **United States Design Patent**  
**Monachon**

(10) **Patent No.:** **US D858,315 S**

(45) **Date of Patent:** **\*\* Sep. 3, 2019**

(54) **WATCH**

(71) Applicant: **Omega Ltd**, Biel/Bienne (CH)

(72) Inventor: **Jean-Claude Monachon**, Bevaix (CH)

(73) Assignee: **Omega Ltd**, Biel/Bienne (CH)

(\*\*) Term: **15 Years**

(21) Appl. No.: **29/637,806**

(22) Filed: **Feb. 22, 2018**

(30) **Foreign Application Priority Data**

Oct. 17, 2017 (WO) ..... DM/098168

(51) **LOC (12) Cl.** ..... **10-02**

(52) **U.S. Cl.**  
USPC ..... **D10/39**

(58) **Field of Classification Search**  
USPC ..... D10/30-32, 37-39, 122-124, 126, 128;  
D11/222; D8/307, 312  
See application file for complete search history.

(56) **References Cited**

**U.S. PATENT DOCUMENTS**

- 258,801 A \* 5/1882 Payson, Jr. .... G04B 19/32  
368/226
- D246,890 S \* 1/1978 Yu ..... D8/322
- D257,214 S \* 10/1980 Withers ..... D8/310
- D297,125 S \* 8/1988 Grinberg ..... D10/126
- D504,332 S \* 4/2005 Chodat ..... D10/39
- D531,063 S \* 10/2006 Reginelli ..... D10/32
- D547,211 S \* 7/2007 Dias ..... D10/39
- D565,430 S \* 4/2008 Wartesian ..... D10/38
- D577,613 S \* 9/2008 Rochat ..... D10/38
- D578,023 S \* 10/2008 Rochat ..... D10/32
- D580,794 S \* 11/2008 Takahashi ..... D10/32
- D586,242 S \* 2/2009 Schoepfer ..... D10/39

- D618,575 S \* 6/2010 Duport ..... D10/126
- D645,784 S \* 9/2011 You ..... D11/222
- D650,297 S \* 12/2011 Duport ..... D10/39
- D651,928 S \* 1/2012 Favre ..... D10/126
- D675,940 S \* 2/2013 Sasaki ..... D10/32
- D690,209 S \* 9/2013 Kawashima ..... D10/32
- D703,552 S \* 4/2014 Monachon ..... D10/32
- D704,077 S \* 5/2014 Monachon ..... D10/32

(Continued)

**OTHER PUBLICATIONS**

Omega De Ville Tresor Ladies Watch | ablogtowatch.com, posted Dec. 2017 [online]. © 2007-2018 aBlogtoWatch [retrieved Dec. 21, 2018] from Internet: <<https://www.ablogtowatch.com/omega-de-ville-tresor-ladies-watch/>> (Year: 2017).\*

*Primary Examiner* — Sandra S Snapp

*Assistant Examiner* — Katherine Glennon

(74) *Attorney, Agent, or Firm* — Abelman, Frayne & Schwab

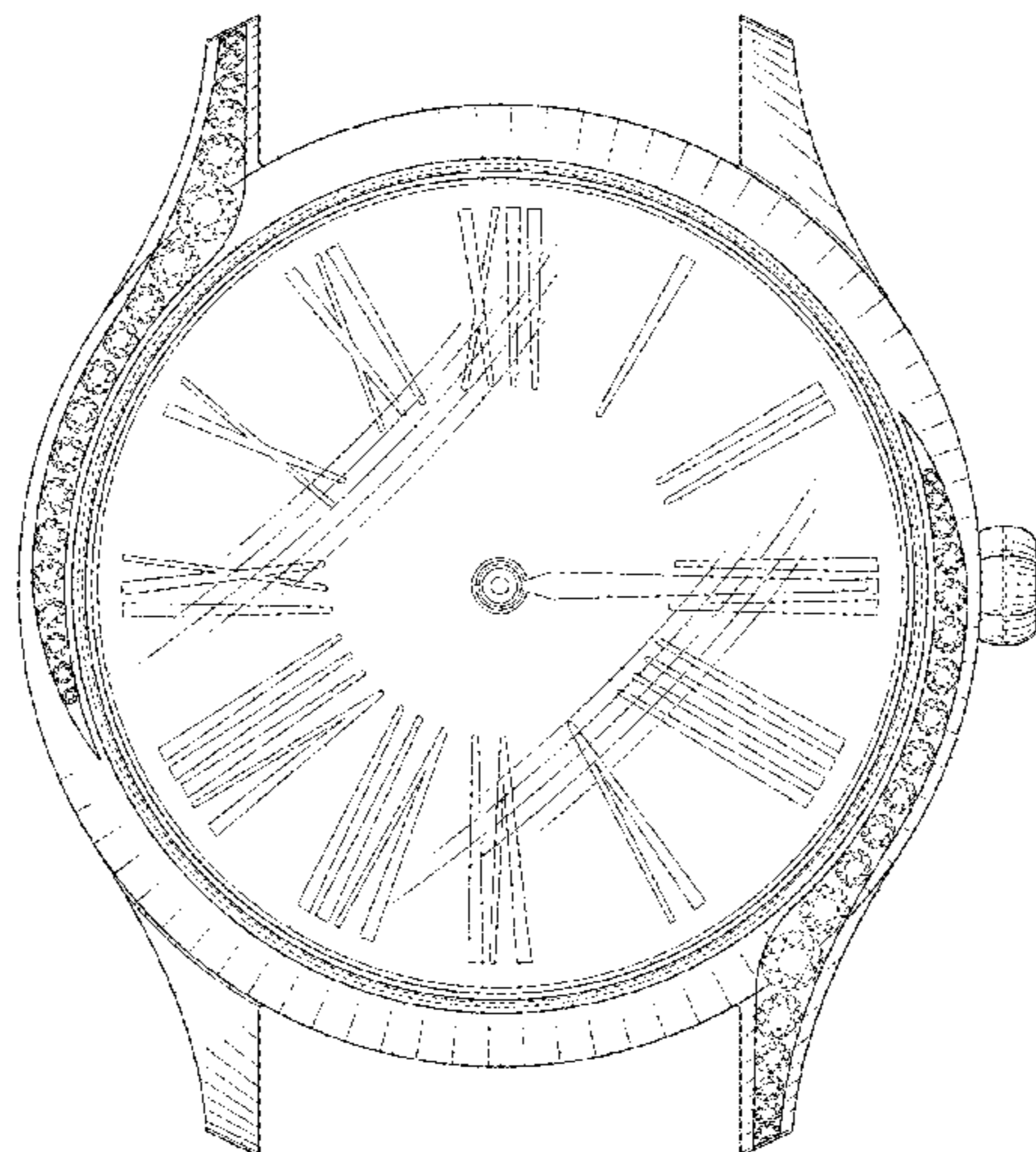
(57) **CLAIM**

The ornamental design for a watch, as shown and described.

**DESCRIPTION**

FIG. 1 is a front view of a watch showing the new design; FIG. 2 is a rear view thereof; FIG. 3 is right side view thereof; FIG. 4 is a left side view thereof; FIG. 5 is a top view thereof; FIG. 6 is a bottom view thereof; FIG. 7 is a front, right, and top perspective view thereof; and, FIG. 8 is a rear, left, and top perspective view thereof. The broken line showing of the watch is for the purpose of illustrating portions of the article and forms no part of the claimed design.

**1 Claim, 6 Drawing Sheets**



(56)

**References Cited**

U.S. PATENT DOCUMENTS

D705,085	S	*	5/2014	Monachon	.....	D10/34
D755,643	S	*	5/2016	Giannini	.....	D10/126
D759,504	S	*	6/2016	Sugiura	.....	D10/128
D768,017	S	*	10/2016	Calvani	.....	D10/126
D768,523	S	*	10/2016	Calvani	.....	D10/126
D768,524	S	*	10/2016	Calvani	.....	D10/126
D793,877	S	*	8/2017	Lasserre	.....	D10/38
D797,593	S	*	9/2017	Antifora	.....	D10/126
D823,153	S	*	7/2018	Rabassa	.....	D10/122

\* cited by examiner



FIG. 1

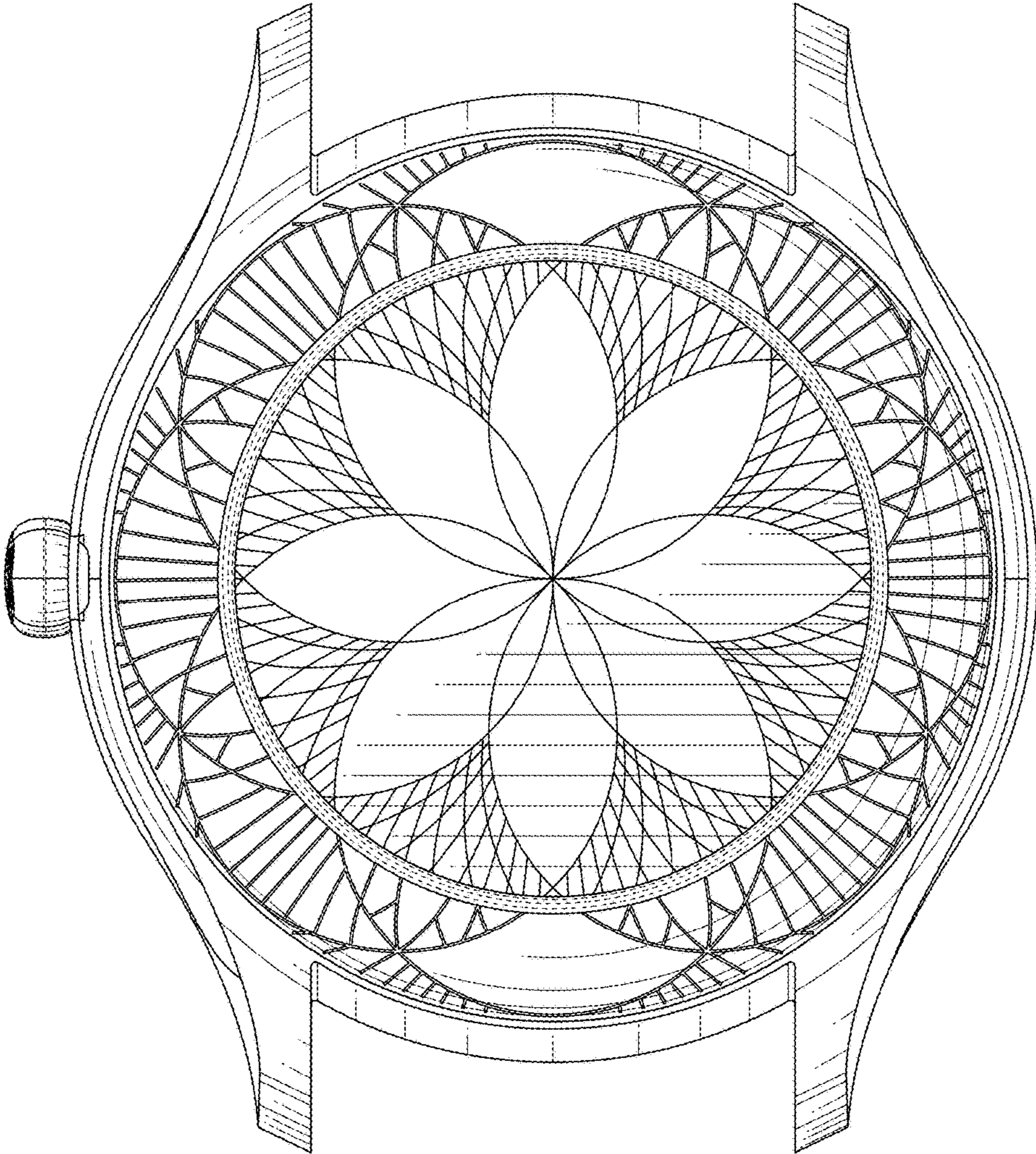


FIG. 2

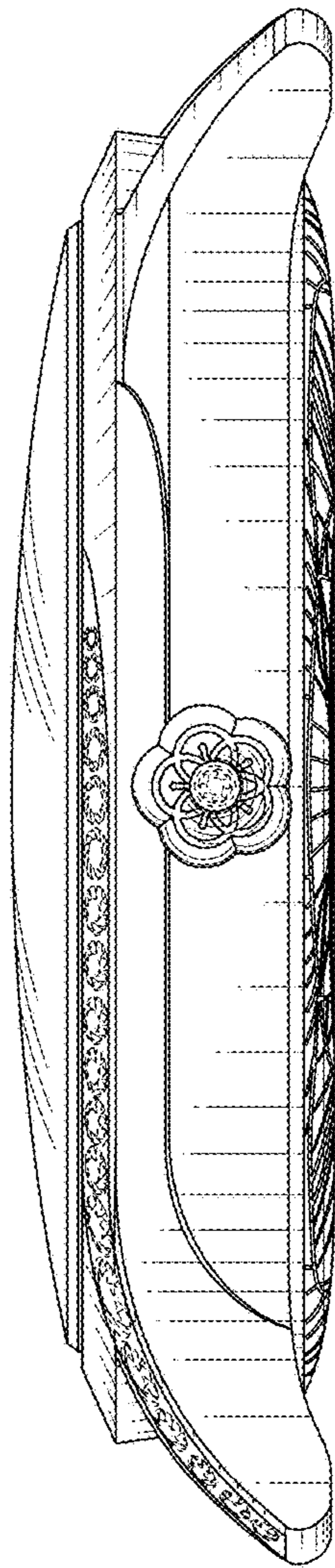


FIG. 3

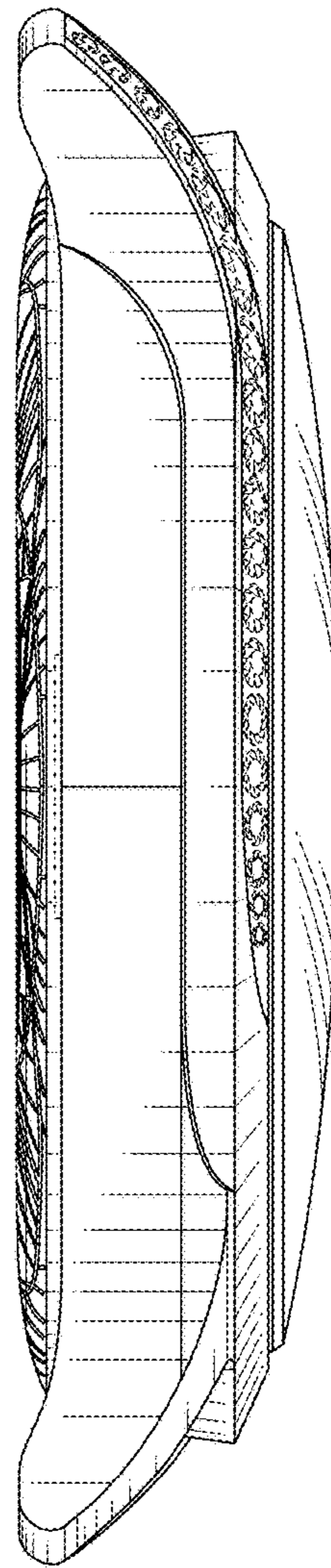


FIG. 4

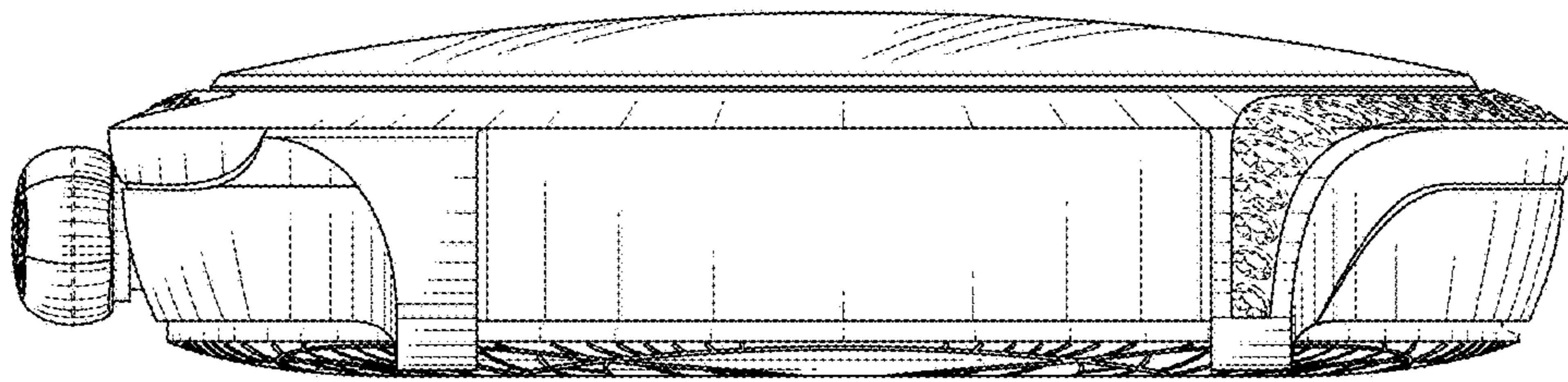


FIG. 5

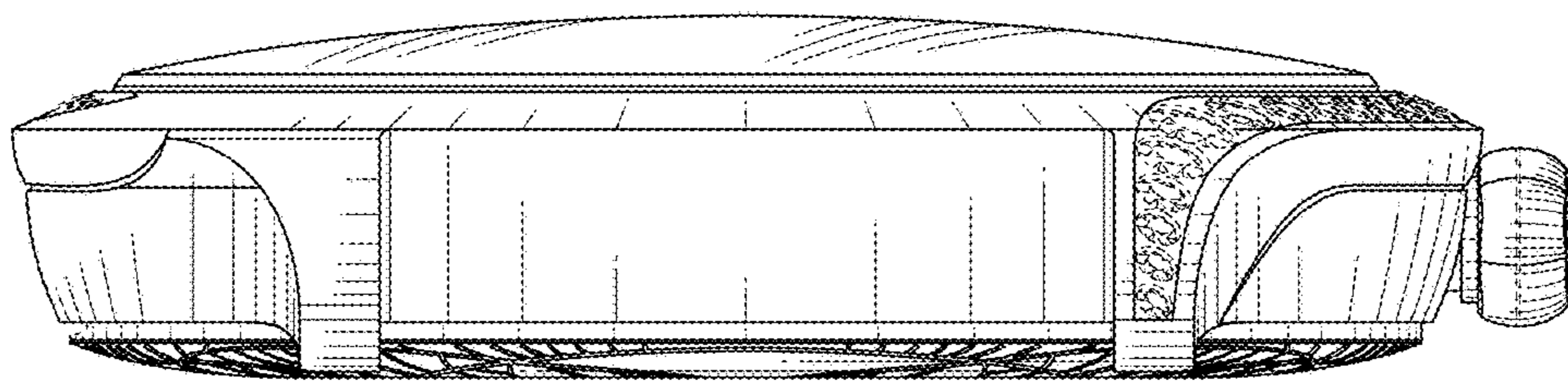


FIG. 6

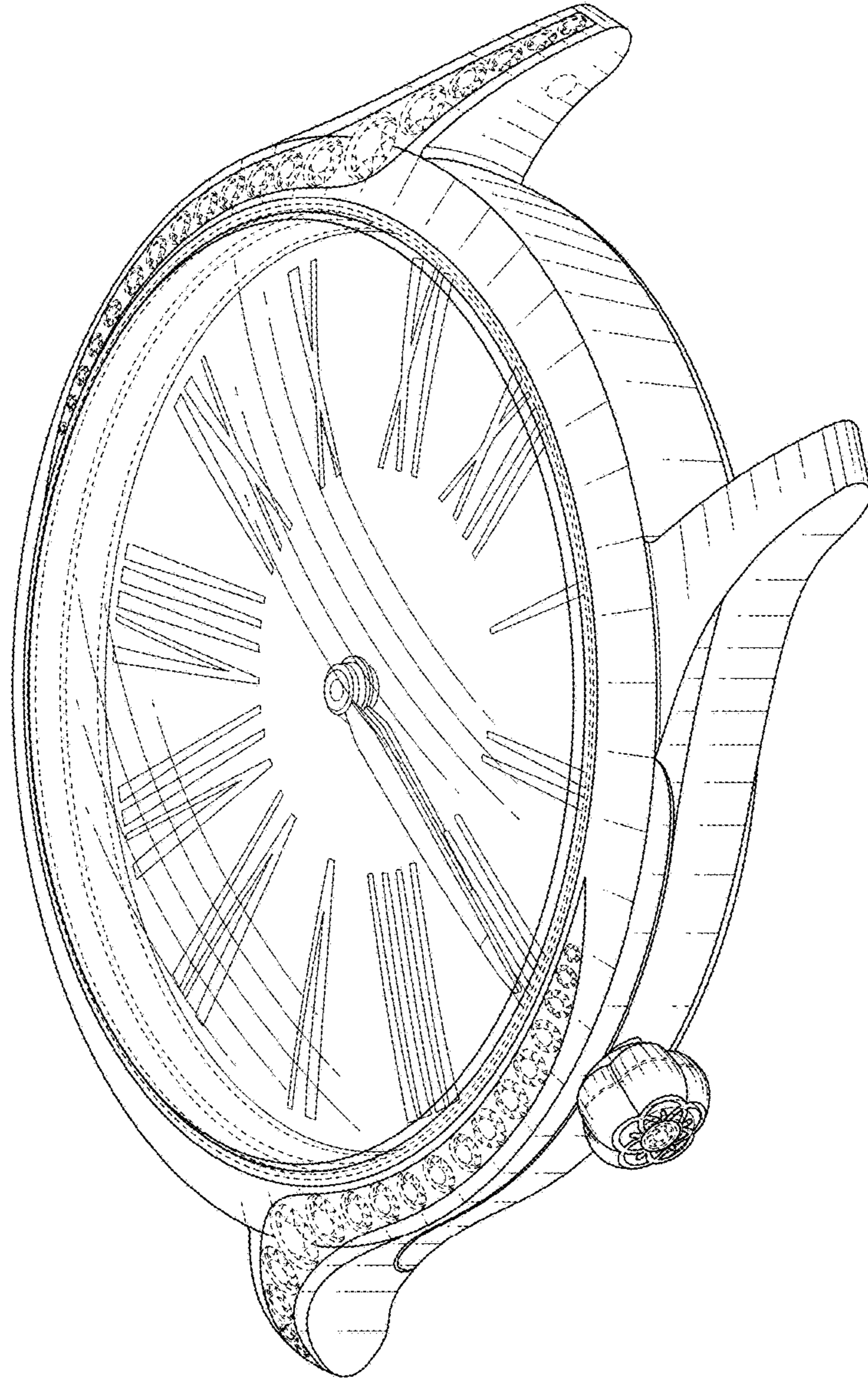


FIG. 7

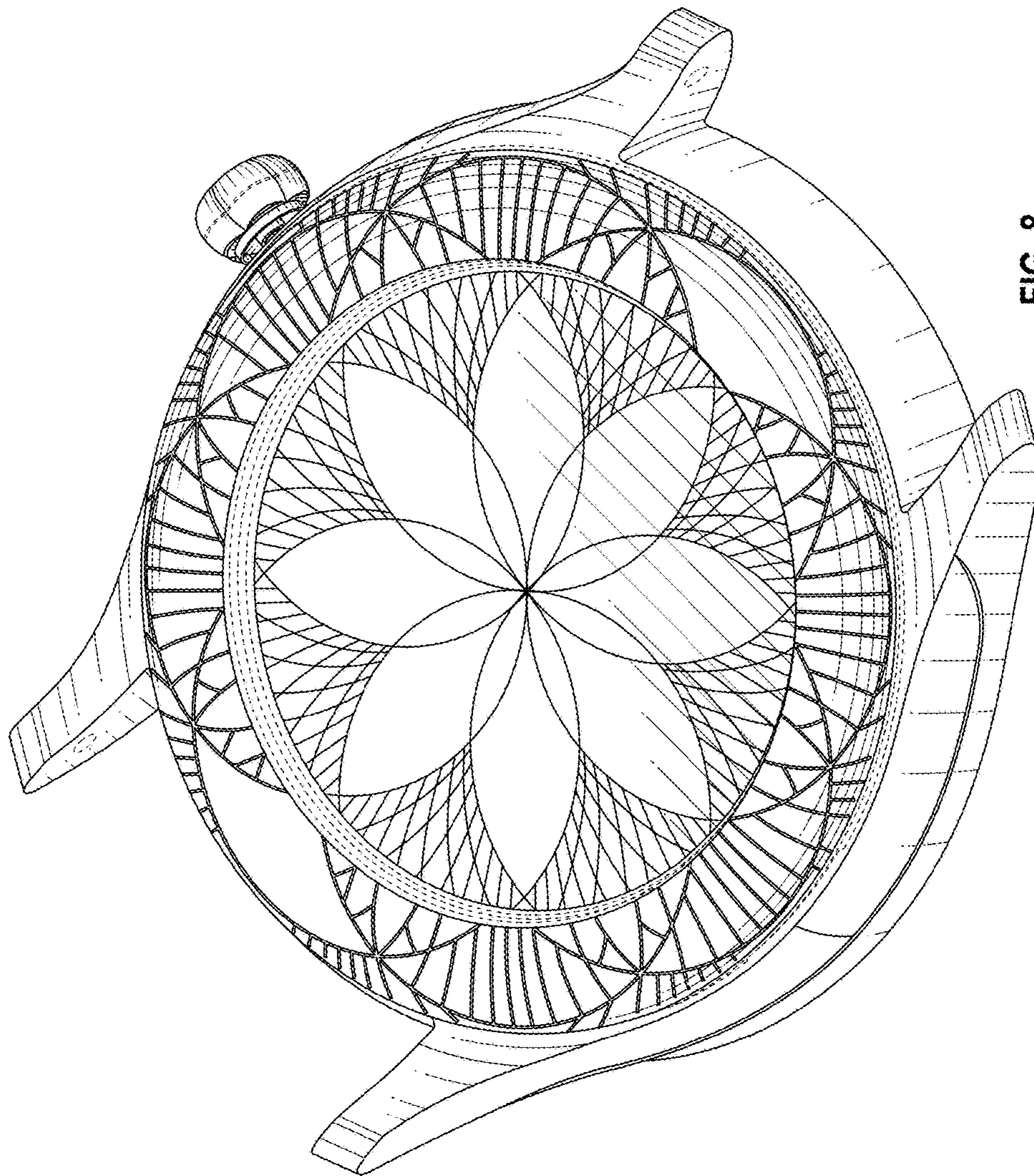


FIG. 8