



US00D858314S

(12) **United States Design Patent**
Hoi et al.

(10) **Patent No.:** **US D858,314 S**

(45) **Date of Patent:** **** Sep. 3, 2019**

- (54) **WATCHCASE**
- (71) Applicant: **CITIZEN WATCH CO., LTD.**,
Nishitokyo-shi, Tokyo (JP)
- (72) Inventors: **Benjamin Cheng Chin Hoi**, Kowloon
(HK); **Leung Yau Kong**, New
Territories (HK)
- (73) Assignee: **Citizen Watch Co., Ltd.** (JP)
- (**) Term: **15 Years**
- (21) Appl. No.: **29/638,620**
- (22) Filed: **Feb. 28, 2018**
- (51) **LOC (12) Cl.** **10-02**
- (52) **U.S. Cl.**
USPC **D10/30; D10/128**
- (58) **Field of Classification Search**
USPC D10/30–32, 37–39, 122–124, 126, 128
See application file for complete search history.

- D731,327 S * 6/2015 Schoepfer D10/39
- D760,096 S * 6/2016 Lutgen D10/126
- D760,606 S * 7/2016 Bonadei D10/128
- D793,879 S * 8/2017 Tonohori D10/30
- D815,547 S * 4/2018 Plange D10/30
- D823,139 S * 7/2018 Kuroda D10/39
- 10,096,439 B2 * 10/2018 Wakuda H01H 13/78
- D833,302 S * 11/2018 Soares D10/39

OTHER PUBLICATIONS

Citizen Promaster Eco-Drive Diver and Pilot| citizenwatchglobal.com posted Mar. 2018 [online]. © Citizen WatchCo., Ltd. [retrieved Dec. 4, 2018] from Internet: <<https://www.citizenwatch-global.com/news/2018/20180322-6/index.html>> (Year: 2018).*

* cited by examiner

Primary Examiner — Karen E Kearney

Assistant Examiner — Katherine Glennon

(74) *Attorney, Agent, or Firm* — RatnerPrestia

(57) **CLAIM**

The ornamental design for a watchcase, as shown and described.

(56) **References Cited**

U.S. PATENT DOCUMENTS

- D336,440 S * 6/1993 Favre D10/30
- D380,392 S * 7/1997 Kennedy D10/30
- D382,816 S * 8/1997 Riley D10/30
- D433,638 S * 11/2000 Kaneko D10/32
- D554,536 S * 11/2007 Tonohori D10/31
- D555,515 S * 11/2007 Krieger D10/31
- D580,280 S * 11/2008 Takahashi D10/39
- D599,218 S * 9/2009 Izuka D10/32
- D652,328 S * 1/2012 Laucella D10/39
- D664,864 S * 8/2012 Kawashima D10/32
- D706,144 S * 6/2014 Monachon D10/39
- D707,138 S 6/2014 Kamata
- D707,139 S * 6/2014 Mille D10/39
- D708,077 S * 7/2014 Mille D10/31
- D730,201 S * 5/2015 Giannini D10/39

DESCRIPTION

FIG. 1 is an enlarged perspective view of a watchcase showing our new design; FIG. 2 is a front elevational view thereof; FIG. 3 is a left side elevational view thereof; FIG. 4 is a right side elevational view thereof; FIG. 5 is a rear elevational view thereof; and, FIG. 6 is a top plan view thereof; the bottom plan view is a mirror image of the top plan view thereof. The broken lines are for illustrative purposes only and form no part of the claimed design.

1 Claim, 4 Drawing Sheets

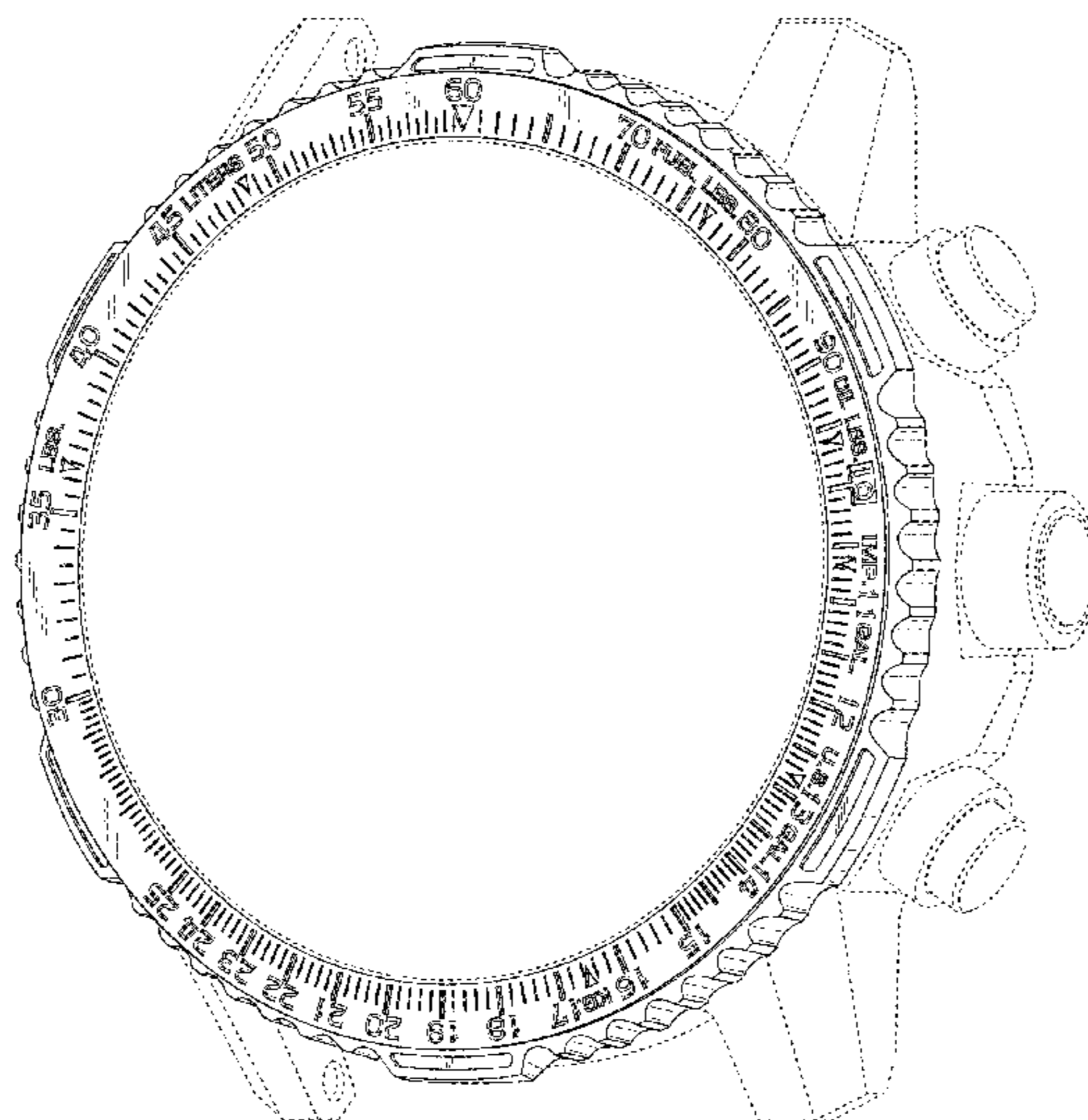


FIG. 1

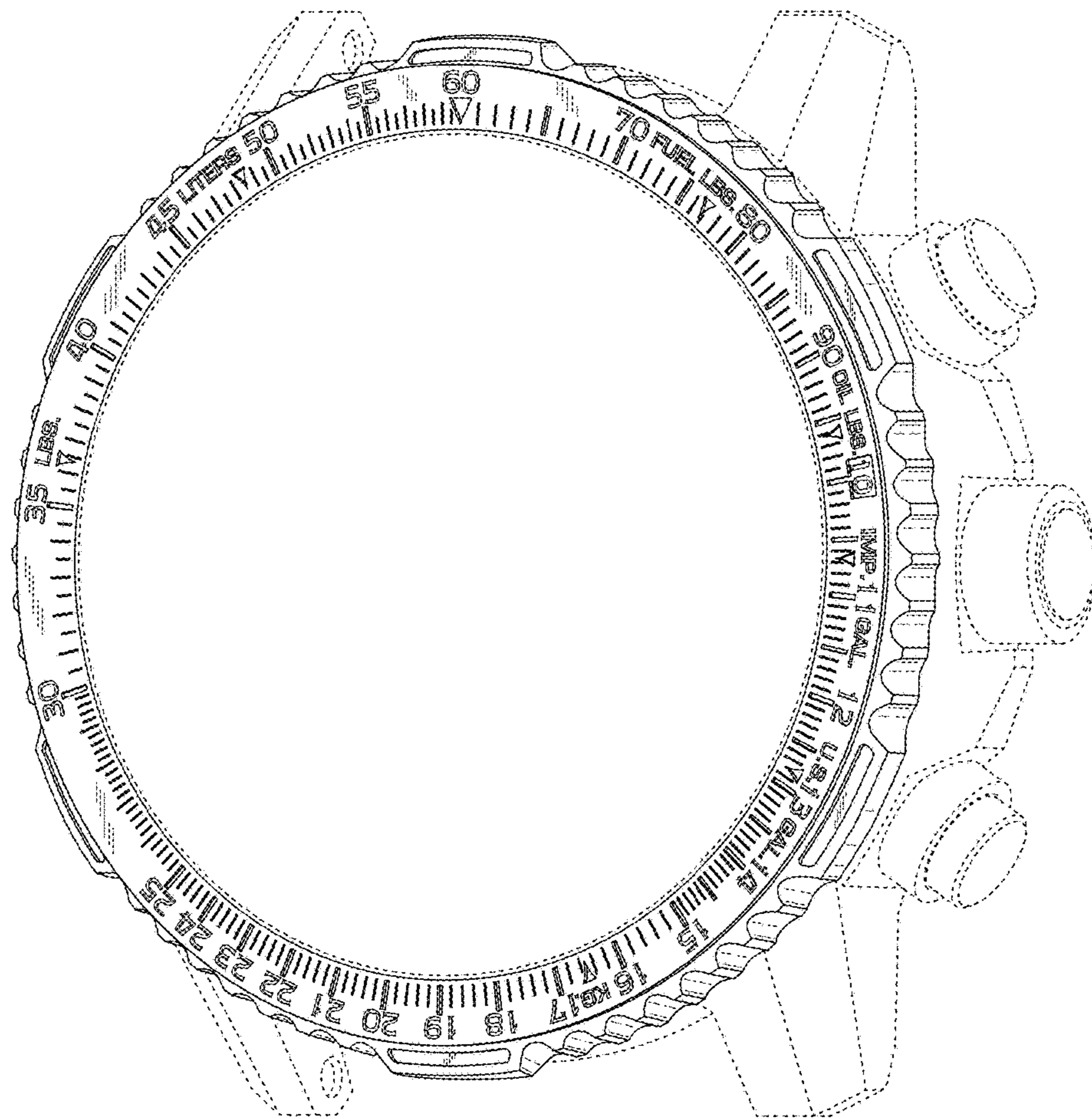


FIG. 2

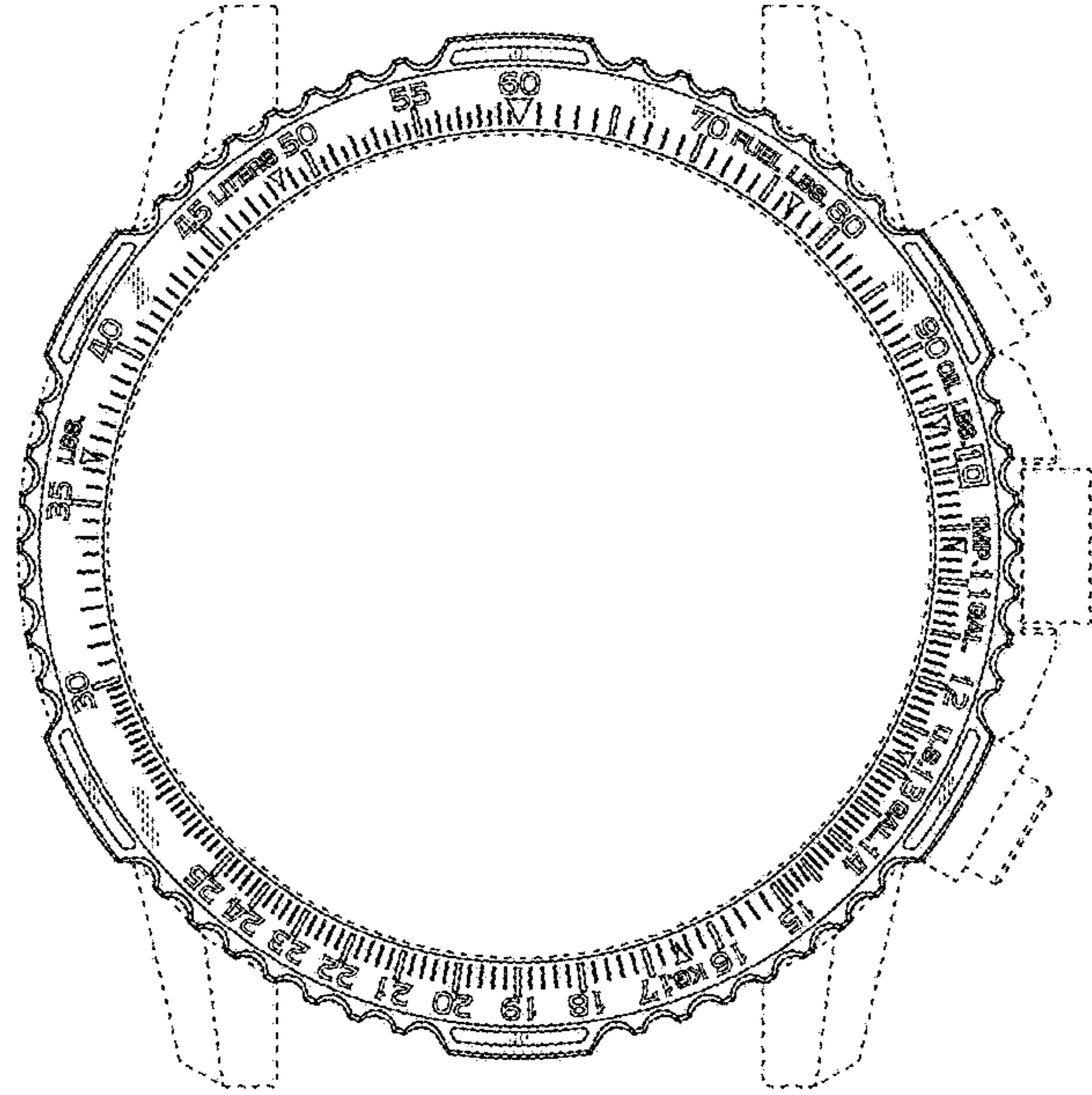


FIG. 3

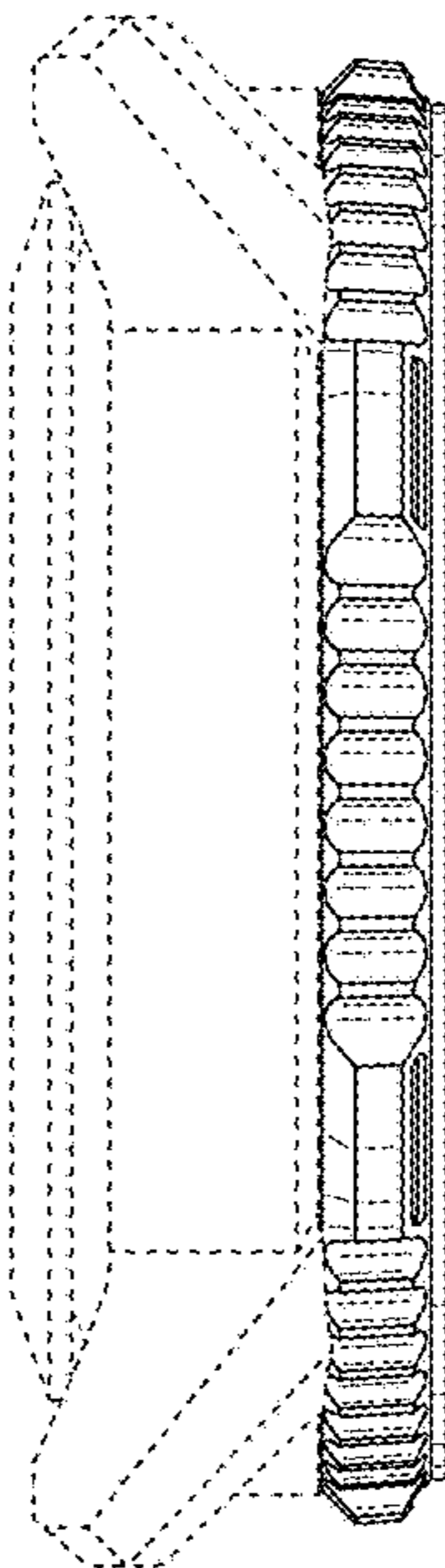


FIG. 4

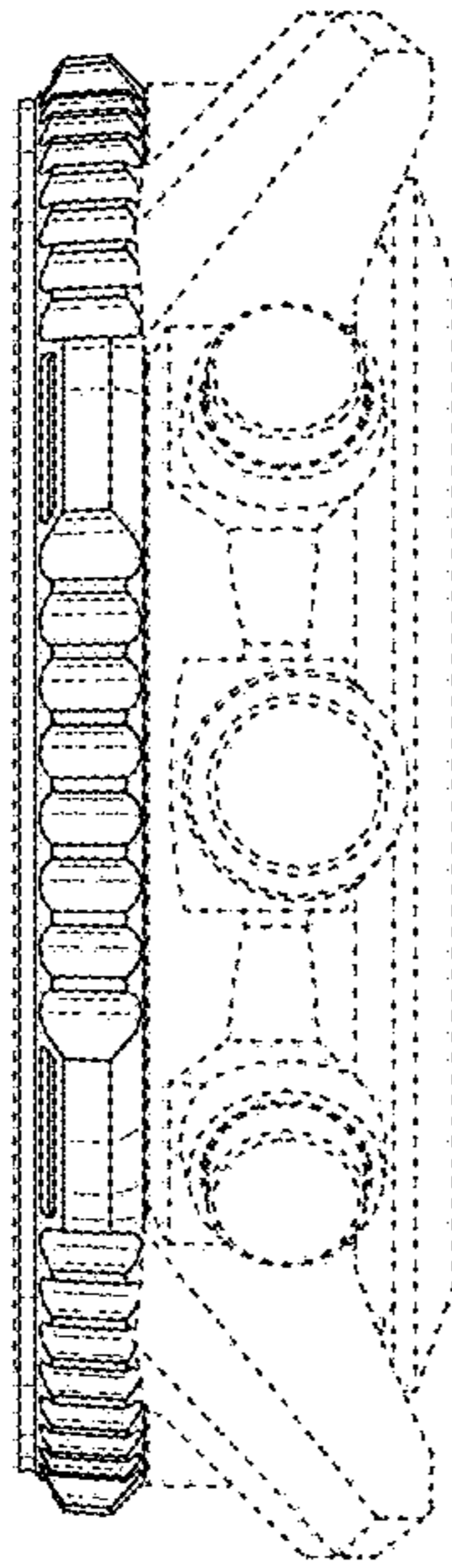


FIG. 5

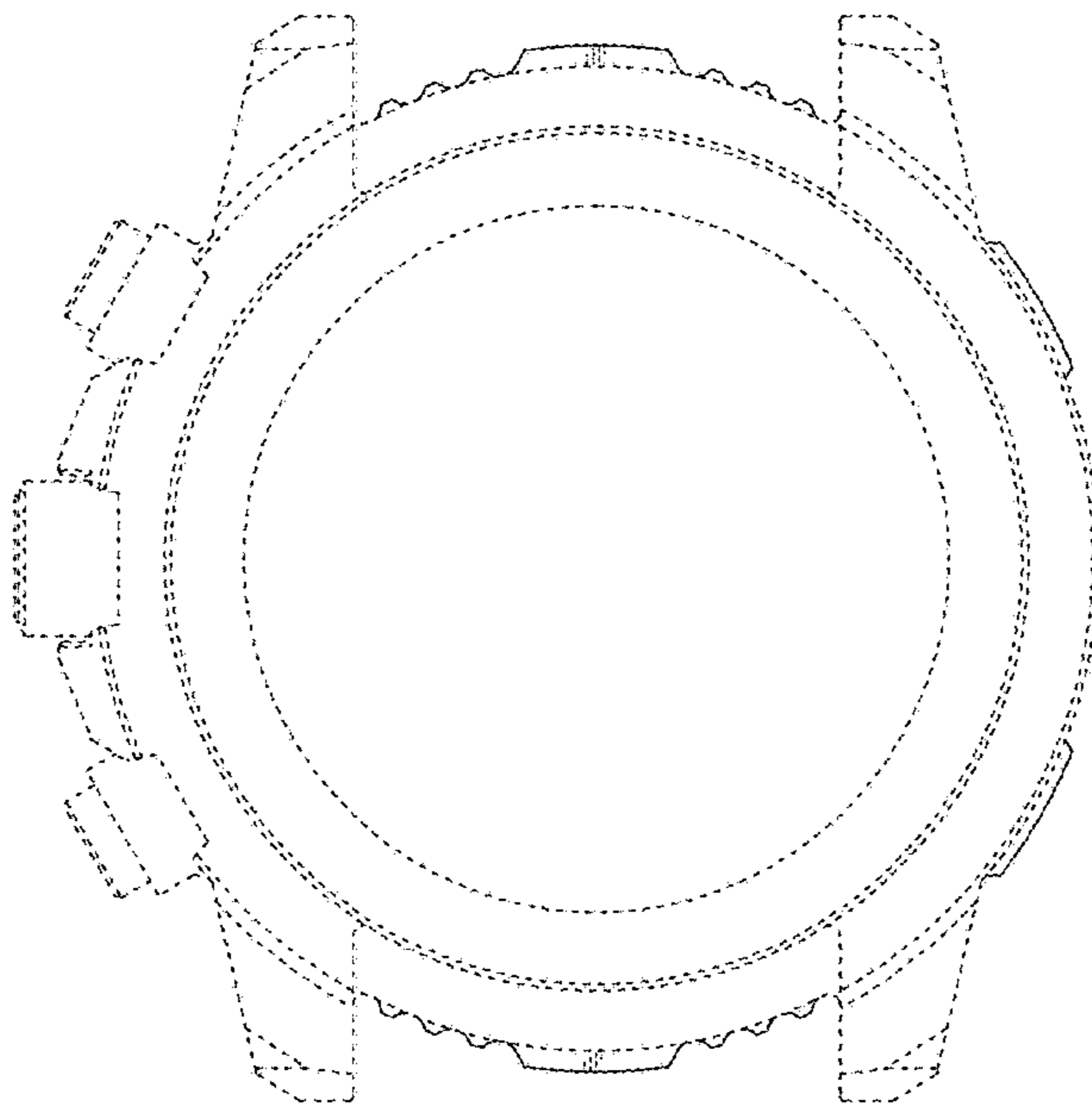


FIG. 6

