



US00D858313S

(12) **United States Design Patent** (10) **Patent No.:** **US D858,313 S**
Berneron (45) **Date of Patent:** **** Sep. 3, 2019**

(54) **WATCH CASE**
(71) Applicant: **Richemont International SA,**
Villars-sur-Glane (CH)
(72) Inventor: **Sylvain Berneron,** Geneva (CH)
(73) Assignee: **Richemont International SA,**
Villars-sur-Glane (CH)

D380,970 S * 7/1997 Phillips D10/30
D384,897 S * 10/1997 Kennedy D10/30
D397,042 S * 8/1998 Riley D10/30
D417,158 S * 11/1999 Krauss D10/30
D746,157 S * 12/2015 Babcock D10/30
D759,512 S * 6/2016 Belamich D10/126
D769,146 S * 10/2016 Firth D10/128
D824,275 S * 7/2018 Sivriere D11/35
D827,453 S * 9/2018 Davoli D10/37
2017/0086538 A1* 3/2017 Siahaan A44C 5/14

(**) Term: **15 Years**
(21) Appl. No.: **29/626,503**
(22) Filed: **Nov. 17, 2017**

OTHER PUBLICATIONS

Baume Mercier Sister Brand Baume | posted at watchonista.com
May 2018 © The Watches Network 2018 [online][site visited Sep.
6, 2018]. Available from internet: <<https://www.watchonista.com/articles/watch-industry/industry-news-baume-mercier-introduces-start-sister-brand-baume>> (Year: 2018).*

(30) **Foreign Application Priority Data**

Jun. 2, 2017 (WO) DM/096387

* cited by examiner

(51) **LOC (12) Cl.** **10-02**
(52) **U.S. Cl.**
USPC **D10/30**

Primary Examiner — Sandra S Snapp
Assistant Examiner — Katherine Glennon
(74) *Attorney, Agent, or Firm* — Taft Stettinius &
Hollister LLP

(58) **Field of Classification Search**
USPC D10/1-2, 10, 30-33, 36-39, 98-99,
D10/122-124, 126-128, 132; D11/3;
D14/344; D24/167, 186
CPC G04C 19/00; G04C 19/02; G04B 19/00;
G04B 19/025; G04B 19/08; G04B
19/048; G04B 19/04; G04B 19/046;
G04B 19/06; G04B 19/065; G04B
19/082; G04B 19/085; G04B 19/087;
G04B 19/10; G04B 19/103; G04B
19/106; G04B 47/042; G04B 19/12;
G04B 19/18; G04B 19/223; G04B 19/23;
G04B 19/24; G04B 19/241; G04B
19/243; G04D 3/04
See application file for complete search history.

(57) **CLAIM**

The ornamental design for a watch case, as shown and described.

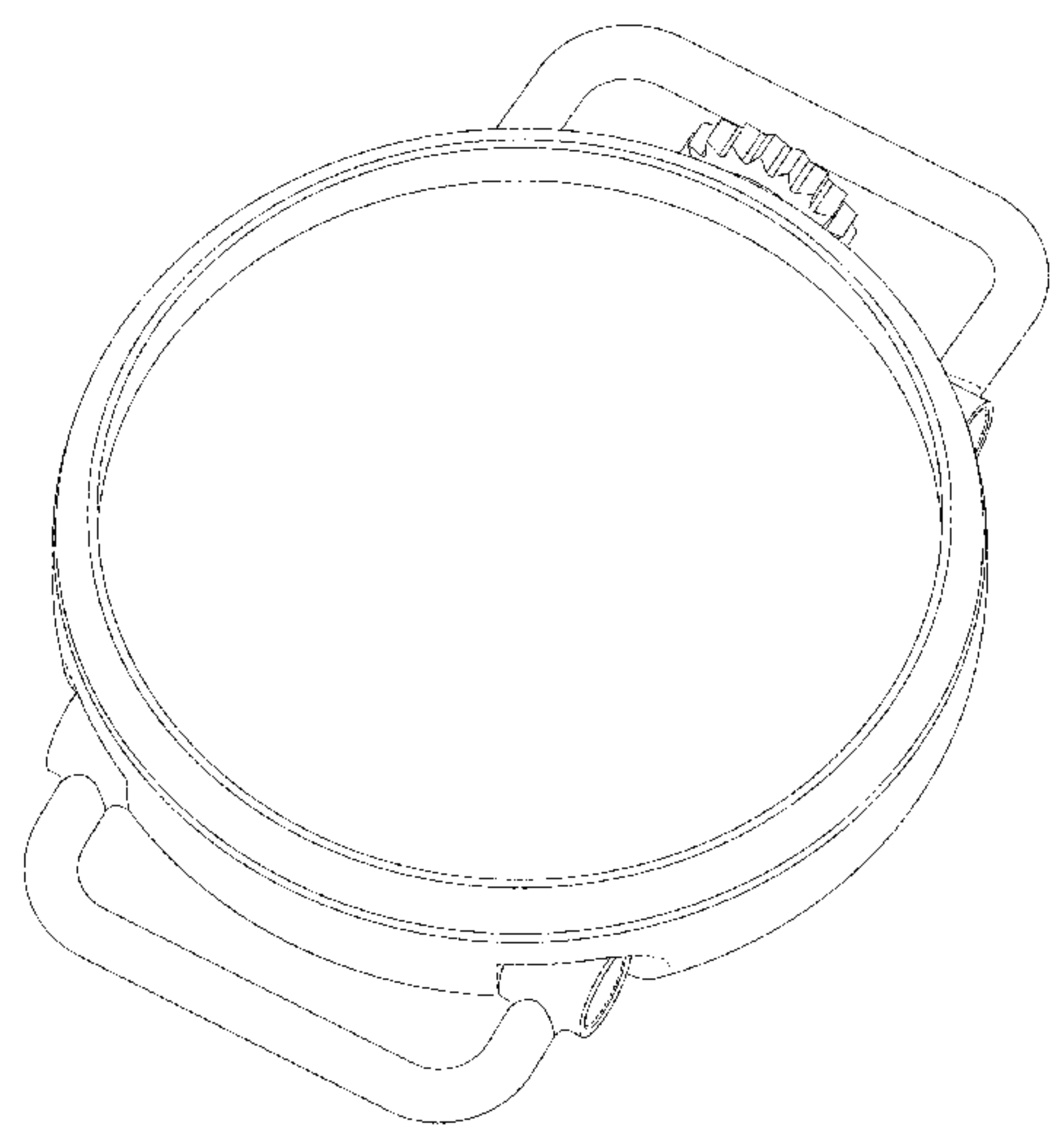
DESCRIPTION

FIG. 1 is a front elevational view of a watch case showing my new design;
FIG. 2 is a back elevational view thereof;
FIG. 3 is a right side elevational view thereof;
FIG. 4 is a left side elevational view thereof;
FIG. 5 is a top plan view thereof;
FIG. 6 is a bottom plan view thereof;
FIG. 7 is a front, right side perspective view thereof; and,
FIG. 8 is a back, left side perspective view thereof.
The broken lines in the drawing figures depict unclaimed subject matter that forms no part of the claimed design.

(56) **References Cited**
U.S. PATENT DOCUMENTS

D69,291 S * 1/1926 Tannenbaum D10/36
D360,142 S * 7/1995 Polenberg D10/30
D377,612 S * 1/1997 Lee D10/2

1 Claim, 8 Drawing Sheets



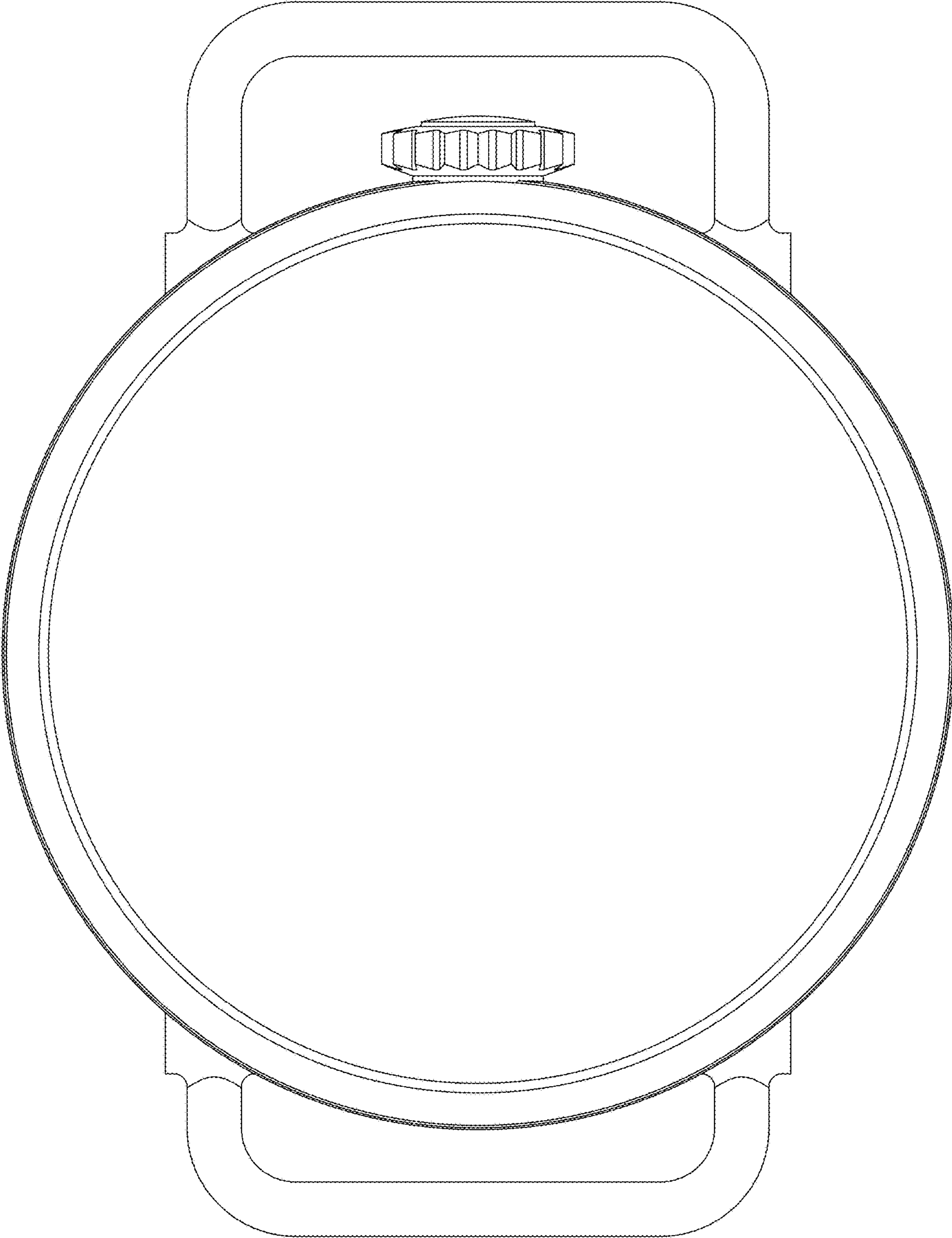


Fig. 1

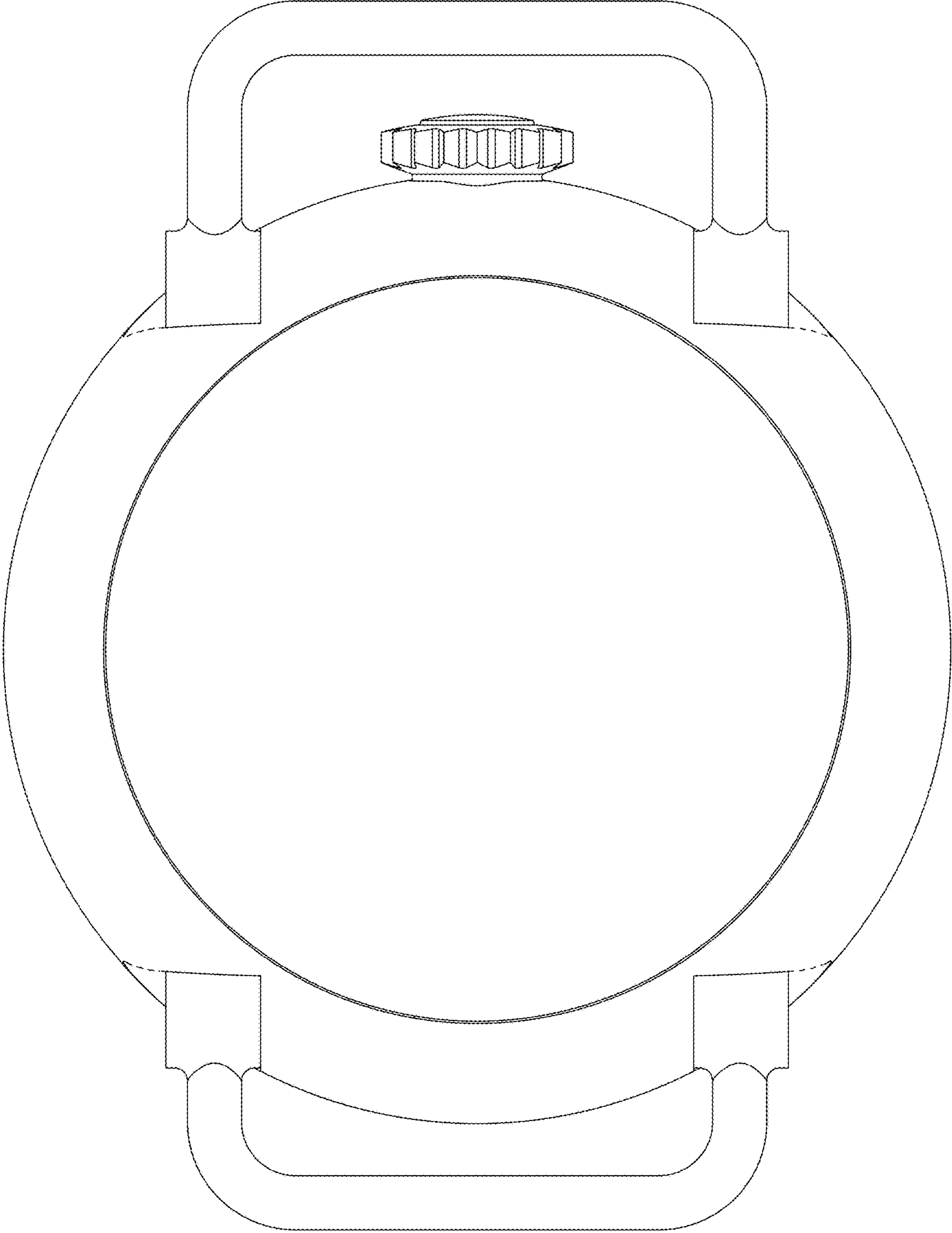


Fig. 2

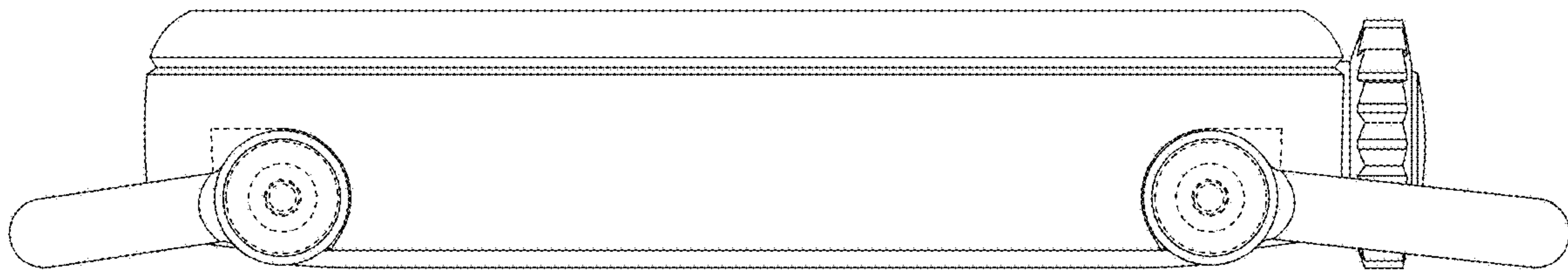


Fig. 3

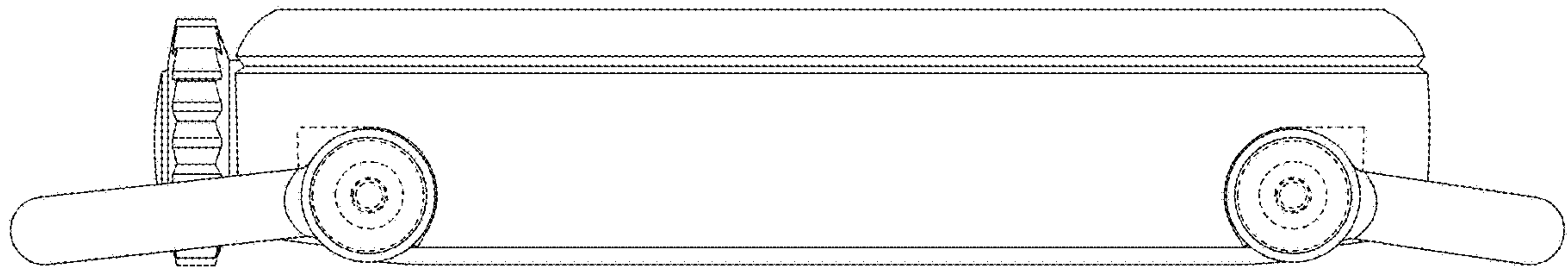


Fig. 4

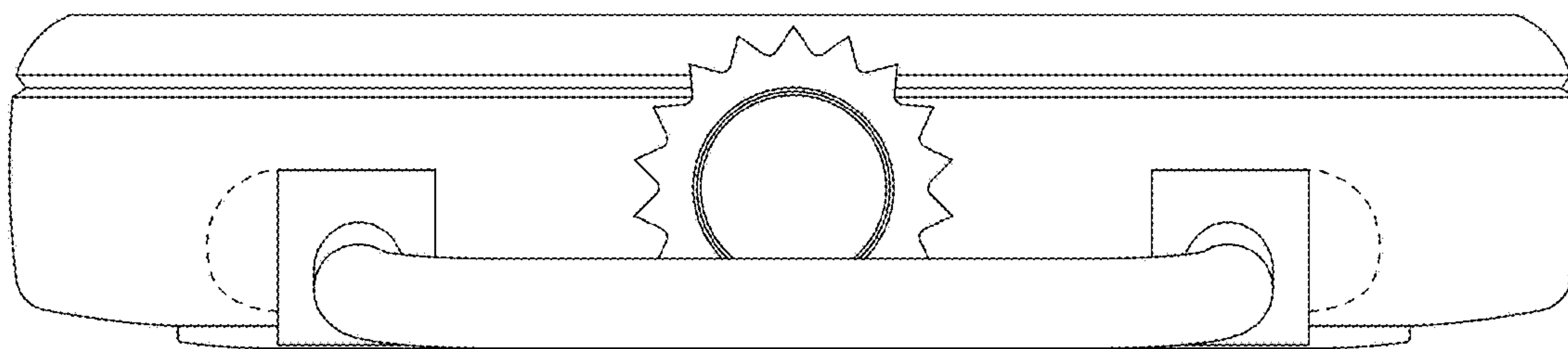


Fig. 5

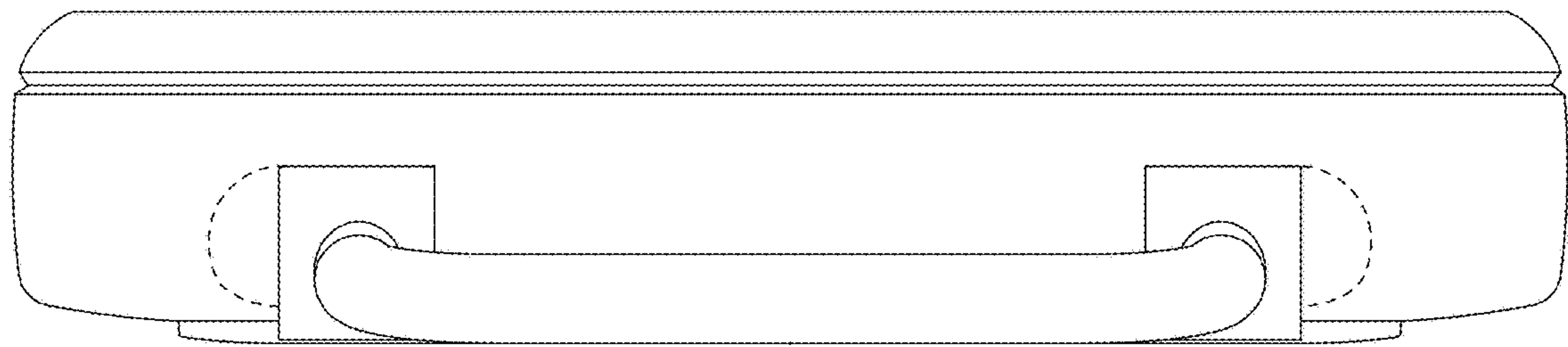


Fig. 6

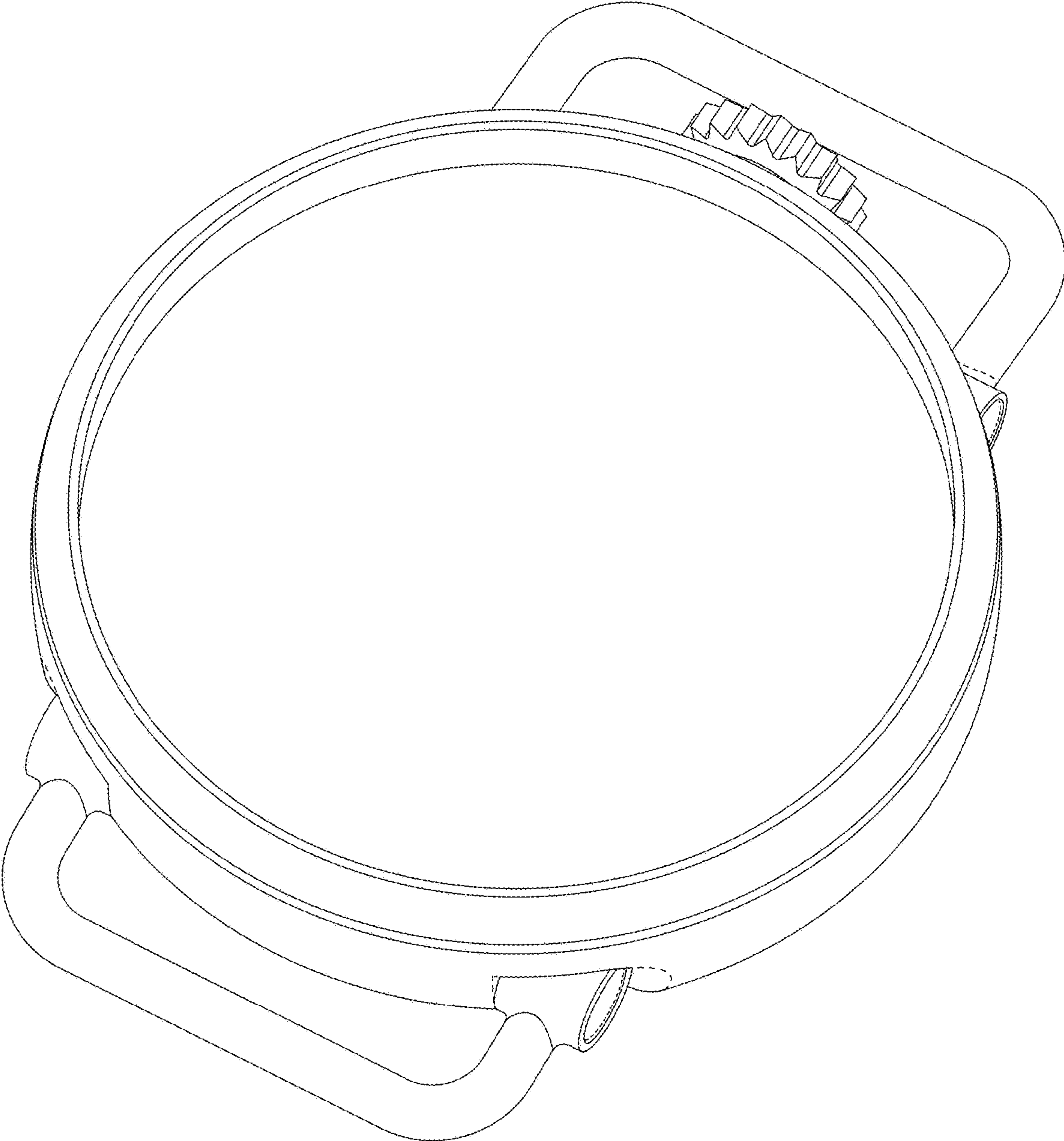


Fig. 7

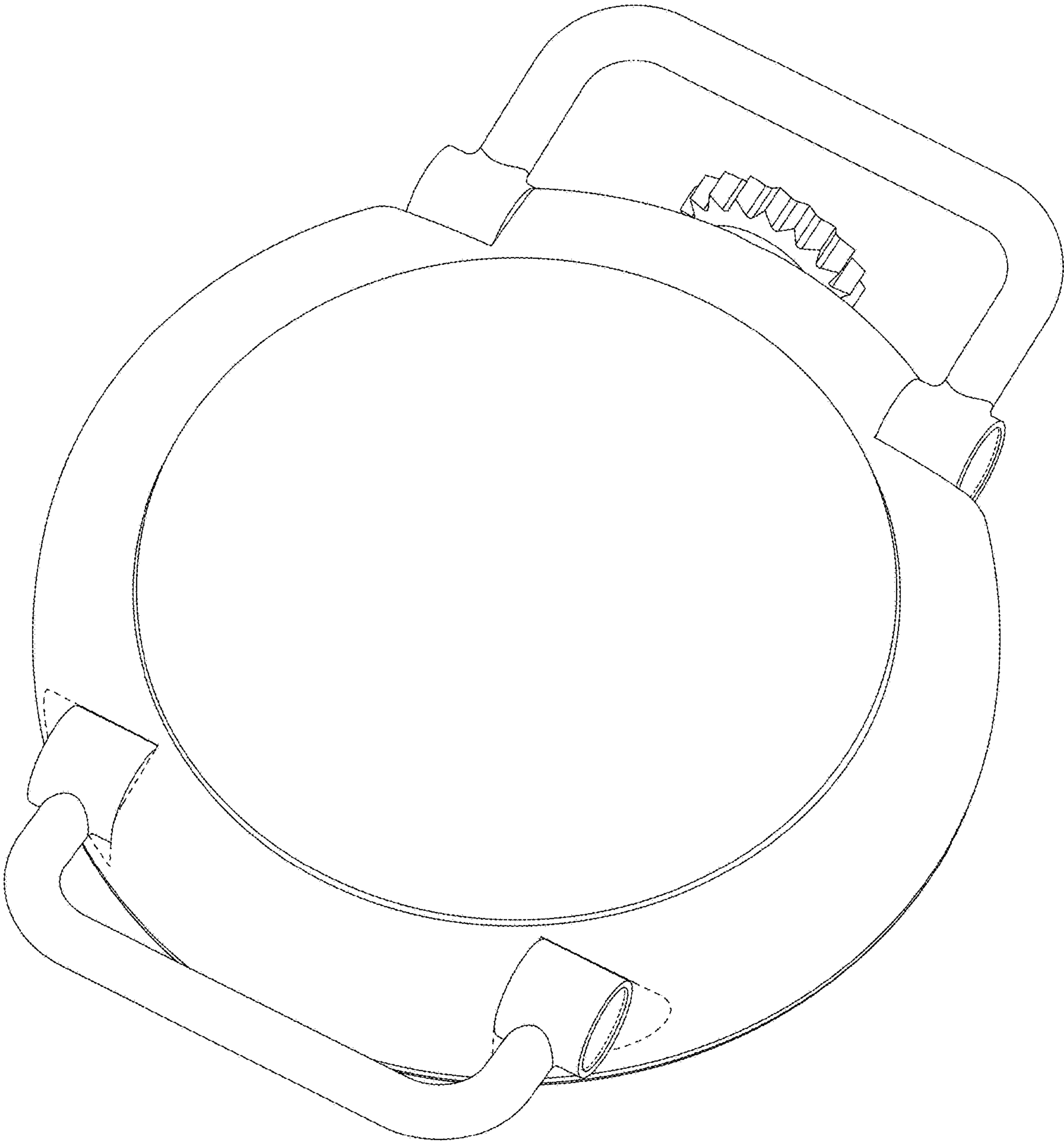


Fig. 8