



US00D858312S

(12) **United States Design Patent** (10) **Patent No.:** **US D858,312 S**  
**Liu et al.** (45) **Date of Patent:** **\*\* Sep. 3, 2019**

(54) **WATCH WITH DISPLAY**

(56) **References Cited**

(71) Applicant: **Garmin Switzerland GmbH**,  
Schaffhausen (CH)

(72) Inventors: **Kevin Liu**, Kansas City, MO (US);  
**Jared L. Mockler**, Olathe, KS (US);  
**Christopher J. Hanshew**, Lenexa, KS  
(US)

(73) Assignee: **Garmin Switzerland GmbH** (CH)

(\*\*) Term: **15 Years**

(21) Appl. No.: **29/613,381**

(22) Filed: **Aug. 9, 2017**

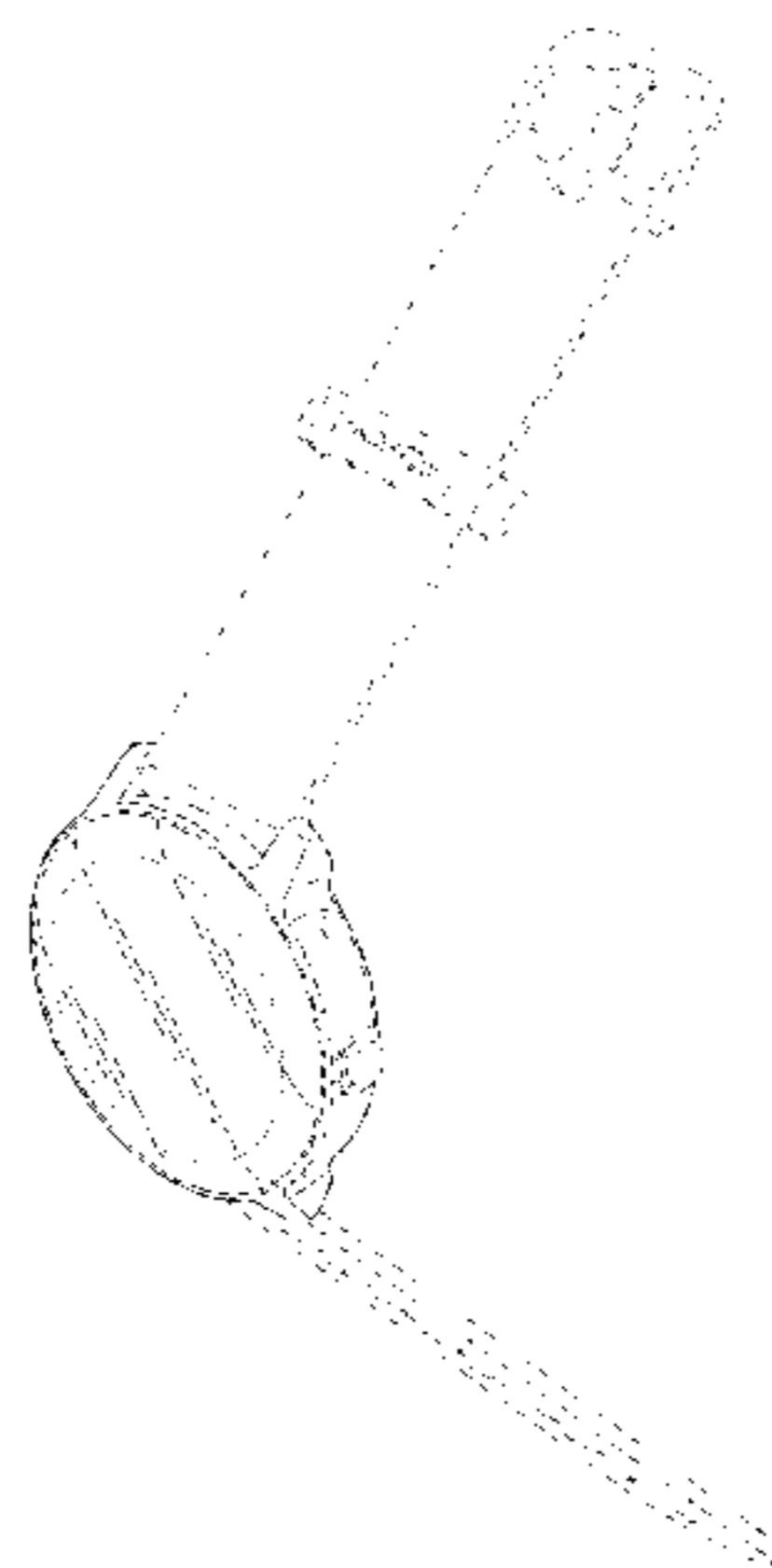
(51) **LOC (12) Cl.** ..... **10-02**

(52) **U.S. Cl.**  
USPC ..... **D10/30; D14/344**

(58) **Field of Classification Search**  
USPC ..... D10/1-2, 10, 30-33, 36-39, 98-99,  
D10/122-124, 126-128, 132; D11/3;  
D14/344; D24/167, 186  
CPC ..... G04B 19/00; G04B 19/04; G04B 19/06;  
G04B 19/065; G04B 19/08; G04B  
19/085; G04B 19/10; G04B 19/103;  
G04B 19/106; G04B 47/042; G04B  
47/048; G04B 19/12; G04B 19/18; G04B  
19/223; G04B 19/22; G04B 19/283;  
G04B 37/00; G04B 37/0008; G04B  
37/0058; G04B 37/04; G04B 37/0418;  
G04B 45/0061; G04B 45/0069; G04B  
19/26; G04B 19/264; G04D 3/04; A44C  
5/00; A44C 5/0053; G04C 19/00; G04C  
19/02; G04C 3/001; G04F 1/00; G04F  
3/00; G04F 3/02; G04G 17/00; G04G  
17/005; G04G 17/02-04; G04G 17/08;  
H01Q 1/27; H01Q 1/273  
See application file for complete search history.

U.S. PATENT DOCUMENTS

D222,784 S	12/1971	Ganges .....	D10/39
3,733,809 A	5/1973	Reiter et al. ....	368/232
3,740,944 A	6/1973	Chopard .....	368/281
3,901,023 A	8/1975	Uebelhardt .....	368/281
D317,265 S *	6/1991	Giolla .....	D10/39
5,226,023 A	7/1993	Grimm .....	368/228
D417,158 S	11/1999	Krauss .....	D10/30
D447,063 S *	8/2001	Scheufele .....	D10/30
D459,241 S	6/2002	Bodino .....	D10/32
D471,115 S	3/2003	Buechner .....	D10/39
6,577,558 B1	6/2003	Ricci .....	D10/30
D504,624 S	5/2005	Bodino .....	D10/39
D538,182 S	3/2007	Lalo .....	D10/32
D573,486 S	7/2008	Sanz .....	D10/38
D585,310 S	1/2009	Allison .....	D10/39
D592,975 S	5/2009	Markl .....	D10/32
D596,510 S	7/2009	Register et al. ....	D10/38
D607,346 S	1/2010	Bove et al. ....	D10/38
D610,922 S	3/2010	Lammers-Meis et al. ....	D10/32
D633,812 S	3/2011	Yurman .....	D10/32
D652,325 S *	1/2012	Ahlstrom .....	D10/31
D657,697 S	4/2012	Lammers-Meis et al. ....	D10/38
D658,079 S	4/2012	Emch .....	D10/38
D658,518 S	5/2012	Behling .....	D10/39
D660,726 S	5/2012	Register et al. ....	D10/38
D660,727 S	5/2012	Parmigiani .....	D10/38
D661,206 S	6/2012	Register et al. ....	D10/38
D664,865 S *	8/2012	Luk Ying Yee .....	D10/38
D678,081 S *	3/2013	Cabiddu .....	D10/38
D682,712 S *	5/2013	Lammers-Meis .....	D10/38
D725,497 S	3/2015	Henne .....	D10/38
D735,589 S *	8/2015	Grinberg .....	D10/38
D739,268 S	9/2015	Lammers-Meis et al. ....	D10/30
D740,136 S *	10/2015	Henne .....	D10/30
D742,761 S	11/2015	Grazian et al. ....	D10/30
D743,282 S *	11/2015	Park .....	D10/30
D748,501 S *	2/2016	Cerrato .....	D10/30
D749,431 S *	2/2016	Babcock .....	D10/30
D752,583 S *	3/2016	Solomon .....	D10/38
D756,240 S *	5/2016	Register .....	D10/30
D767,566 S *	9/2016	Morgenroth .....	D14/344
D768,623 S *	10/2016	Zou .....	D10/39
D772,081 S	11/2016	Lee et al. ....	D10/30
D773,944 S *	12/2016	Wang .....	D10/30
D778,737 S *	2/2017	Jacobs .....	D10/38



D779,342	S	*	2/2017	Lintz	.....	D10/30
D789,542	S	*	6/2017	Lillquist	.....	D24/167
D794,631	S	*	8/2017	Solomon	.....	D10/38
D794,632	S	*	8/2017	Solomon	.....	D10/38
9,760,064	B2	*	9/2017	Kim	.....	G04G 21/00
D799,986	S	*	10/2017	Monachon	.....	D10/30
D805,405	S	*	12/2017	Henne	.....	D10/30
D805,406	S	*	12/2017	Register	.....	D10/30
D806,581	S	*	1/2018	Register	.....	D10/30
D806,582	S	*	1/2018	Register	.....	D10/30
D809,512	S	*	2/2018	Mistry	.....	D14/344
D809,938	S	*	2/2018	Hou	.....	D10/30
D815,090	S	*	4/2018	Chan	.....	D14/344
D823,853	S	*	7/2018	Yoshimoto	.....	D14/344
10,030,994	B2	*	7/2018	Roush	.....	G01C 22/006
D839,753	S	*	2/2019	Domke	.....	D10/30
D842,855	S	*	3/2019	Akana	.....	D14/344
D844,458	S	*	4/2019	Lillquist	.....	D10/30
D848,864	S	*	5/2019	Mockler	.....	D10/30
D849,561	S	*	5/2019	Behling	.....	D10/30
D851,504	S	*	6/2019	Henne	.....	D10/30
2012/0320715	A1	*	12/2012	Maruyama	.....	G04R 60/12 368/10
2014/0225786	A1	*	8/2014	Lyons	.....	H01Q 1/273 343/702
2016/0313701	A1	*	10/2016	Coakley	.....	G04B 37/106
2018/0287248	A1	*	10/2018	Han	.....	H01Q 1/273
2018/0294553	A1	*	10/2018	Lim	.....	G04B 37/14

OTHER PUBLICATIONS

Garmin Vivoactive 3 review | posted at wareable.com Oct. 2017 © 2014-2018 Wareable [online][site visited Oct. 11, 2018]. Available from internet: <<https://www.wareable.com/garmin/garmin-vivoactive-3-review>> (Year: 2017).\*

Top Hybrid Watches for 2018 | posted at gadgetsandwearables.com May 2018 © Gadgets & Wearables 2015-2018 [online][site visited Oct. 11, 2018]. Available from internet: <<https://gadgetsandwearables.com/2018/05/09/hybrid-smartwatch/#withings>> (Year: 2018).\*

Garmin Forerunner 645 Music | posted at drainmaker.com Mar. 2018 © 2018 DC Rainmaker [online][site visited Oct. 12, 2018]. Available from internet: <<https://www.drainmaker.com/2018/03/garmin-forerunner-645-music-gps-watch-in-depth-review.html>> (Year: 2018).\*

Moto 360 | posted at endgadget.com Oct 2015 © 2018 Oath Tech Network Aol Tech [online][site visited Oct. 11, 2018]. Available from internet: <<https://www.endgadget.com/2015/10/09/moto-360-review-2015/#/>> (Year: 2015).\*

U.S. Appl. No. 29/590,890, filed Jan. 13, 20107, Domke.

Garmin Forerunner 405, published Jan. 2008.

Garmin Forerunner 610, published Mar. 2011.

Printout from <http://consumer.huawei.com/en/wearables/huawei-watch/index.htm> published prior to Dec. 15, 2016.

Printout from <http://www.apple.com/watch/> published prior to Jan. 25, 2016.

Printout from <http://www.chrono24.com/hublot/formula-1-king-power-fl-ceramic-limited-sealed--id1818204.htm> published prior to Dec. 15, 2016.

Printout from <http://www.computerworld.com/article/2643100/moto-360-review-an-elegant-smartwatch-wth-exceptional-features.html> published prior to May 8, 2015.

Printout from <http://www.cookoo2.com/> , published prior to May 21, 2015.

Printout from <http://www.lindewerdelin.com/products/watches/spidolite>, published prior to May 21, 2012.

Printout from [http://www.ralphlauren.fr/category/index.jsp?categoryId=53519341&ab=fr\\_FR\\_Watches\\_LP\\_Slot\\_5\\_S1](http://www.ralphlauren.fr/category/index.jsp?categoryId=53519341&ab=fr_FR_Watches_LP_Slot_5_S1) published prior to Dec. 15, 2016.

Printout from <http://www.suunto.com/en-US/Product-search/See-all-Sports-Watches/?sortby=New&searchTerm=traverse&pace=0> published prior to Dec. 15, 2016.

Printout from <http://www.lagheuer.com/int-en/luxury-watches/carrera/carrera-calibre-heuer-01-chronograph-titanium-43-mm-grey-others-bracelet> published prior to Aug. 15, 2016.

Printout from <http://www.lagheuer.com/int-en/luxury-watches/carrera/carrera-calibre-1887automatic-chronograph43-mm-black-steel-bracelet-car2a10-ba0799>, published prior to Aug. 15, 2016.

Printout from <http://www.t-touch.com/en-en/#!/t-touch-expert-solar> published prior to Dec. 15, 2016.

Printout from [https://jet.com/product/detail/fc92daab81424e10baa51759e0ea8729?icmp=pla\\*gal:NJ\\_dur\\_Cwin\\_Mens\\_Clothing\\_Shoe\\_Accessories\\_a1.Mens\\_Clothing-Shoes\\_Accessories\\_Mens\\_Watches\\_Mens\\_Watches\\_a1;na;PLA\\_791051016\\_46779163368\\_pla-322827945084:na:na:na\\*2&code=PLA15](https://jet.com/product/detail/fc92daab81424e10baa51759e0ea8729?icmp=pla*gal:NJ_dur_Cwin_Mens_Clothing_Shoe_Accessories_a1.Mens_Clothing-Shoes_Accessories_Mens_Watches_Mens_Watches_a1;na;PLA_791051016_46779163368_pla-322827945084:na:na:na*2&code=PLA15) published prior to Apr. 6, 2017.

Printout from <https://www.amazon.com/Salvatore-Ferragamo-F55LGQ6877-S113-Carbon/dp/B007O20FO8> published prior to Apr. 6, 2017.

Printout from <https://www.amazon.com/Welder-K28-7100-Chronograph-Ion-Plated-Stainless/dp/B001PRFJOY> published prior to Dec. 15, 2016.

Printout from [https://www.asus.com/ZenWatch/ASUS\\_ZenWatch\\_WI500Q/](https://www.asus.com/ZenWatch/ASUS_ZenWatch_WI500Q/) published prior to Jan. 25, 2016.

Printout from <https://www.audemarspiquel.com/en/watch-collection/royal-oak-offshore/> published prior to Dec. 15, 2016.

Printout from [https://www.bloomingdales.com/shop/product/g-shock-g-steel-53.8mm?ID=2725010&pla\\_country=US&cm\\_mmc=Google-PLA-ADC-\\_-Jewelry%20%26%20Accessories-NA-\\_-G-shock-\\_-889232168203USA&CAWELAID=120156070005934945&CAGPSPN=pla&CAAGID=47685648719&CATCI=pla-383074889643&CATARGETID=120156070006241384&cadevice=c&glid=EAlalOobChMIvMbEIL3B1wIVk6DsCh3QDwNME-AQYASABEgJNgvD\\_BwE](https://www.bloomingdales.com/shop/product/g-shock-g-steel-53.8mm?ID=2725010&pla_country=US&cm_mmc=Google-PLA-ADC-_-Jewelry%20%26%20Accessories-NA-_-G-shock-_-889232168203USA&CAWELAID=120156070005934945&CAGPSPN=pla&CAAGID=47685648719&CATCI=pla-383074889643&CATARGETID=120156070006241384&cadevice=c&glid=EAlalOobChMIvMbEIL3B1wIVk6DsCh3QDwNME-AQYASABEgJNgvD_BwE), published prior to Dec. 15, 2016.

Printout from <https://www.cnet.com/products/lg-g-watch/review/> published prior to Jan. 25, 2016.

Printout from <https://www.omegawatches.com/watch-omega-speedmaster-moonwatch-professional-chronograph-42-mm-31133423001002> published prior to Apr. 6, 2017.

Printout from <https://www.sonymobile.com/global-en/products/smart-products/smartwatch-3-swr50/> published prior to Jan. 25, 2016.

Printout from [www.drainmaker.com/2012/04/suunto-ambit-in-depth-review.html](http://www.drainmaker.com/2012/04/suunto-ambit-in-depth-review.html) published prior to Sep. 29, 2015.

Printout from [www.suunto.com/en-US/Products/Sports-Watches/Suunto-Ambit2/Suunto-Ambit2-Black/](http://www.suunto.com/en-US/Products/Sports-Watches/Suunto-Ambit2/Suunto-Ambit2-Black/) published prior to Sep. 29, 2015.

Printout from [www.theaaronloy.com/wp-content/uploads/2013/07/Casio-MT-G-G-Shock-Watch.jpg](http://www.theaaronloy.com/wp-content/uploads/2013/07/Casio-MT-G-G-Shock-Watch.jpg) published prior to Sep. 29, 2015.

Printout from [www.watchtowhat.com/wp-content/uploads/2015/03/casio-edifice-8.jpg](http://www.watchtowhat.com/wp-content/uploads/2015/03/casio-edifice-8.jpg) published prior to Sep. 29, 2015.

Printout from <https://www.suunto.com/en-us/Sports-Watch-Collections/Suunto-Core-Collection/> published prior to Aug. 9, 2017.

Printout from <https://www.suunto.com/en-us/Products/Sports-Watches/Suunto-Elementum-Ventus/Suunto-Elementum-Ventus-Brown-Leather/> published prior to Apr. 6, 2017.

Printout from <http://www.gpsrunningwatchreview.com/reviews/suunto-x-10-review/> published Nov. 2010.

Printout from <http://practicaltravelgear.blogspot.com/2008/07/timex-expedition-e-compass-titanium.html> published Jul. 2008.

Printout from <https://www.tissotwatches.com/en-gb/shop/tissot-t-touch-ii-titanium-gent-3.html> published prior to Aug. 9, 2017.

\* cited by examiner

Primary Examiner — Sandra S Snapp

Assistant Examiner — Katherine Glennon

(74) Attorney, Agent, or Firm — Samuel M. Korte; Max M. Ali

(57) CLAIM

The ornamental design for a watch with display, as shown and described.

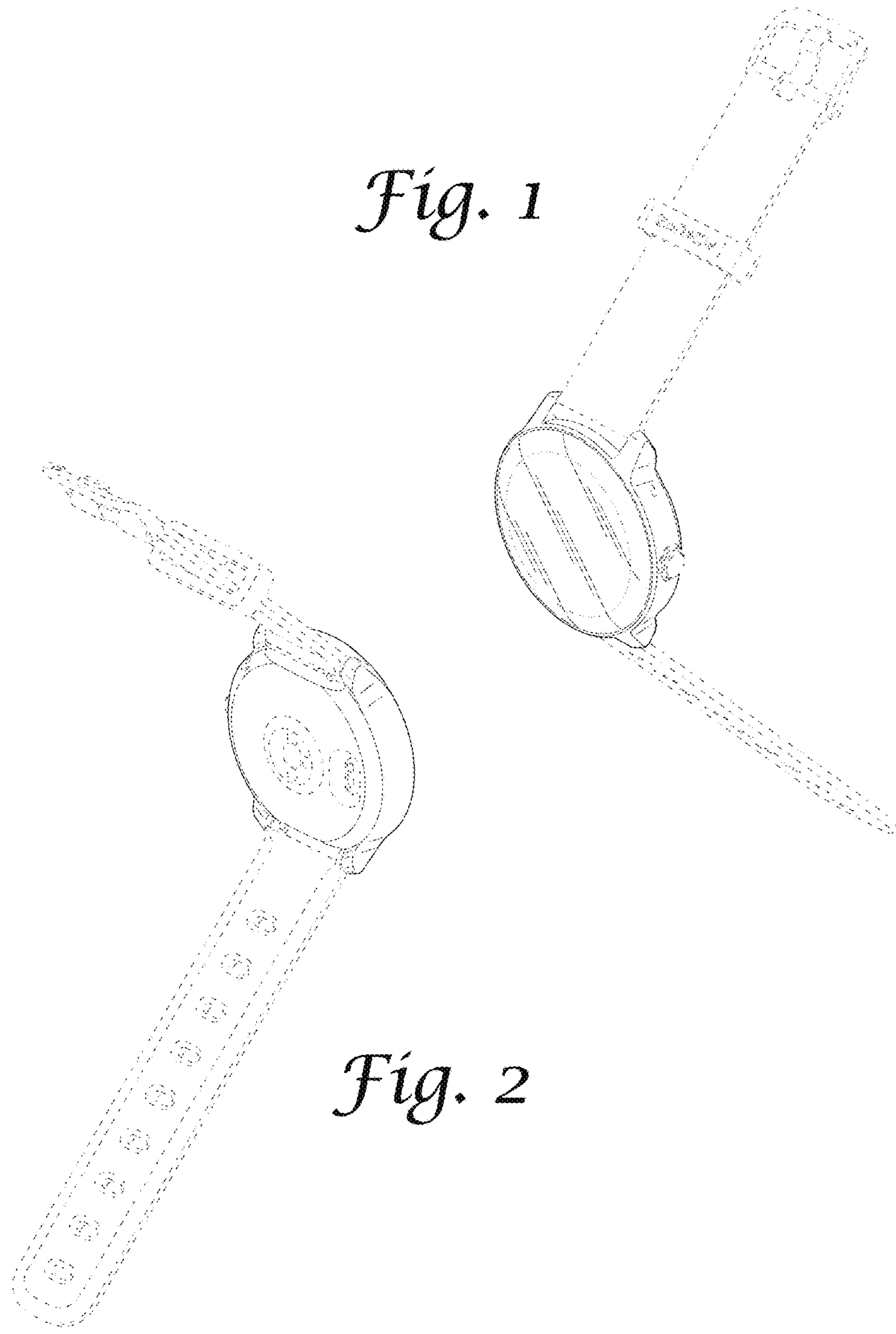
DESCRIPTION

FIG. 1 is a front perspective view of a watch with display according to the present invention;

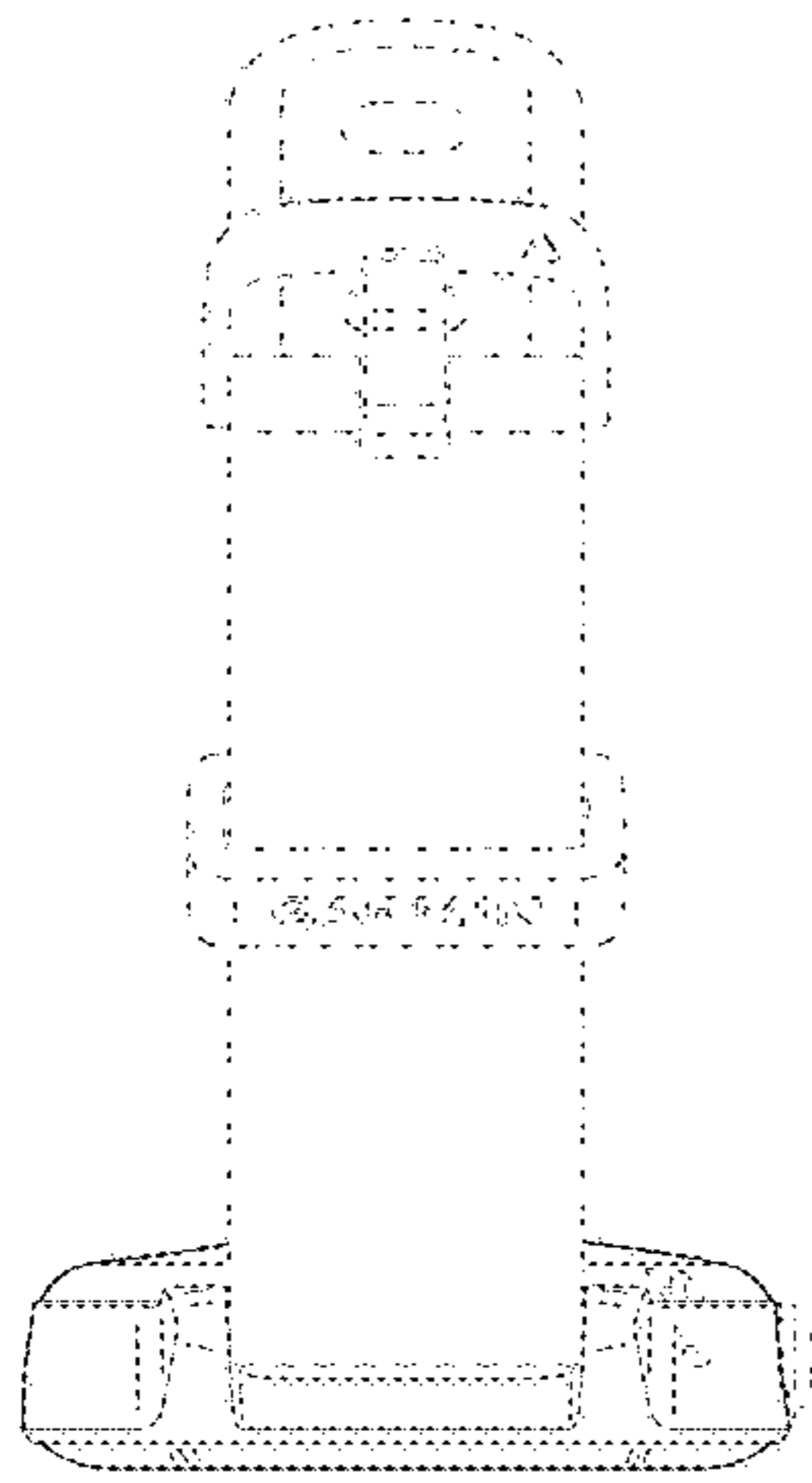
FIG. 2 is a rear perspective view of the watch with display;  
FIG. 3 is a top view of the watch with display;  
FIG. 4 is a front view of the watch with display;  
FIG. 5 is a bottom view of the watch with display;  
FIG. 6 is a rear view of the watch with display;  
FIG. 7 is a left side view of the watch with display; and,  
FIG. 8 is a right side view of the watch with display.  
The broken lines shown in the drawings represent portions  
of the watch with display that form no part of the claimed  
design.

**1 Claim, 4 Drawing Sheets**

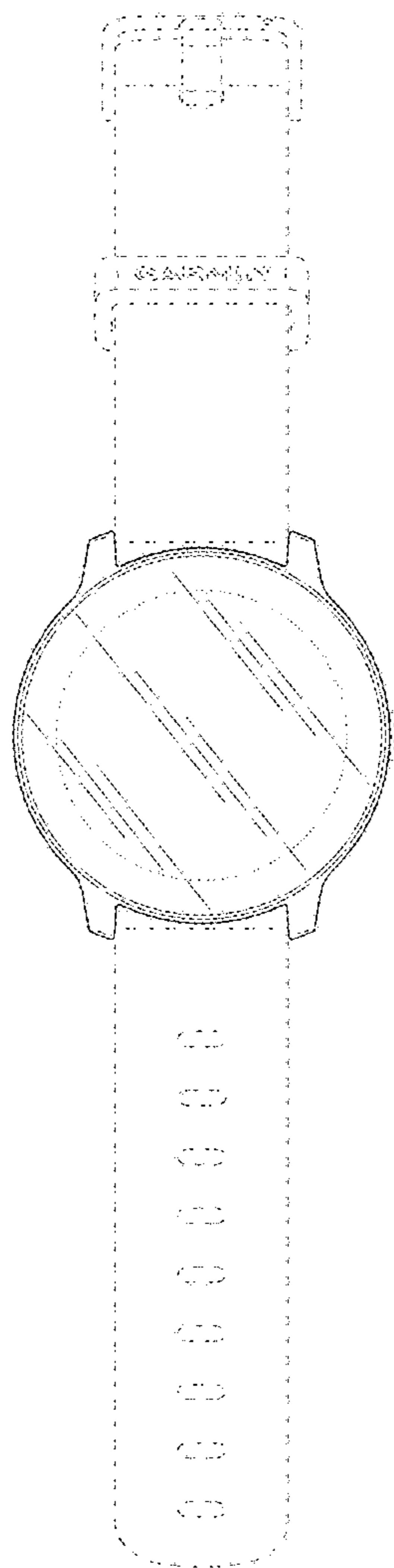
*Fig. 1*



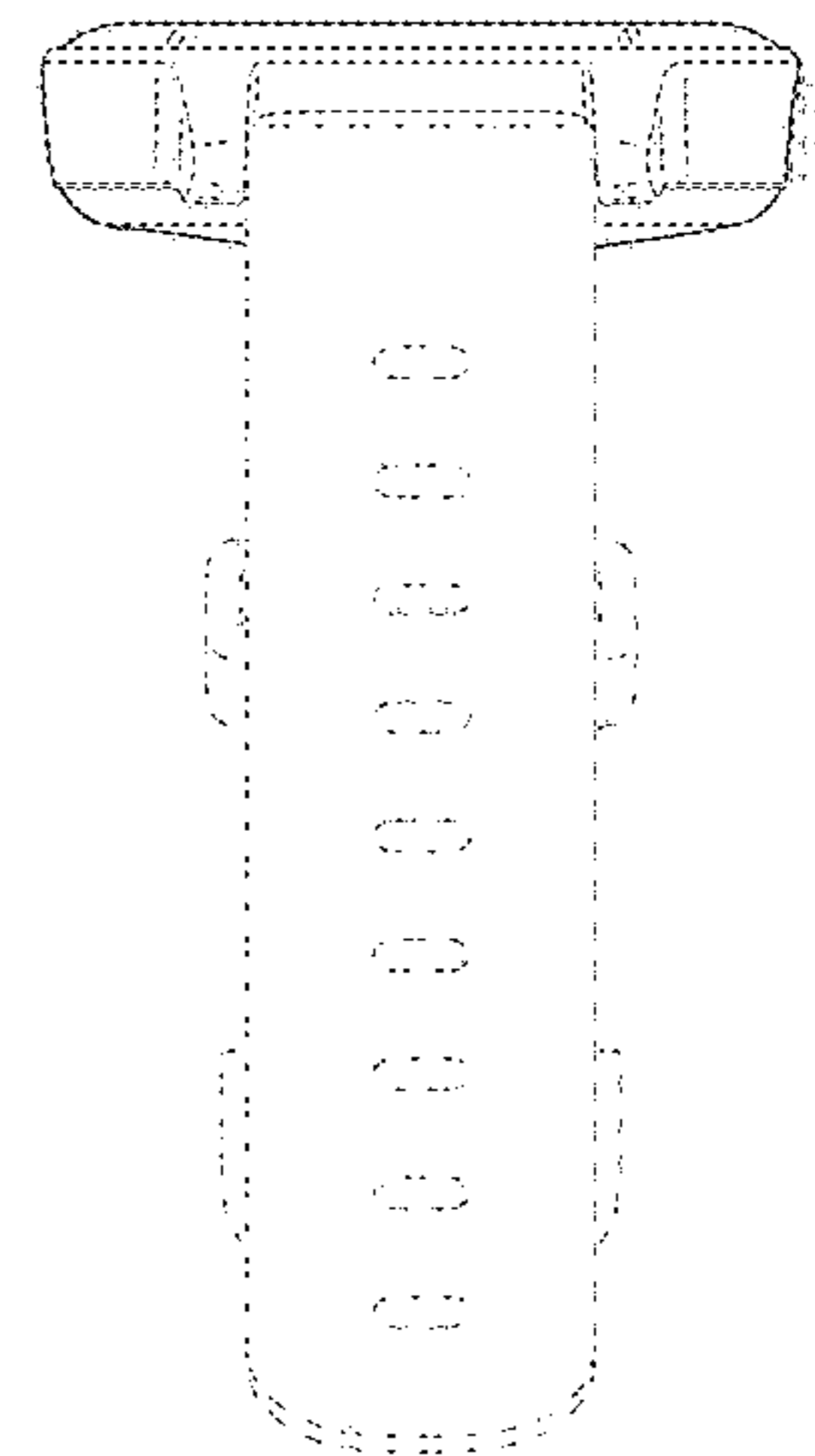
*Fig. 2*



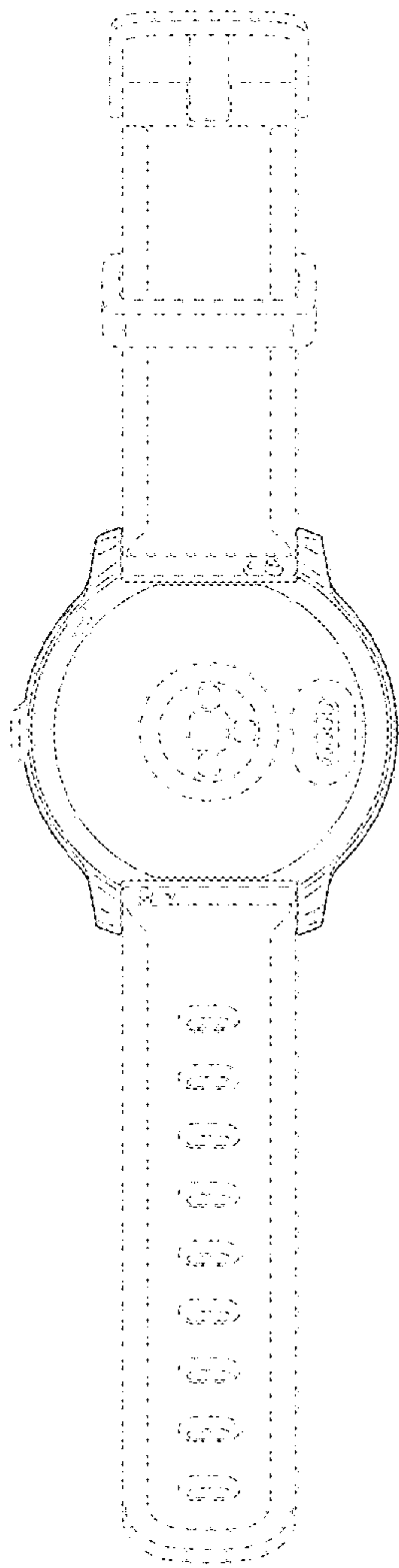
*Fig. 3*



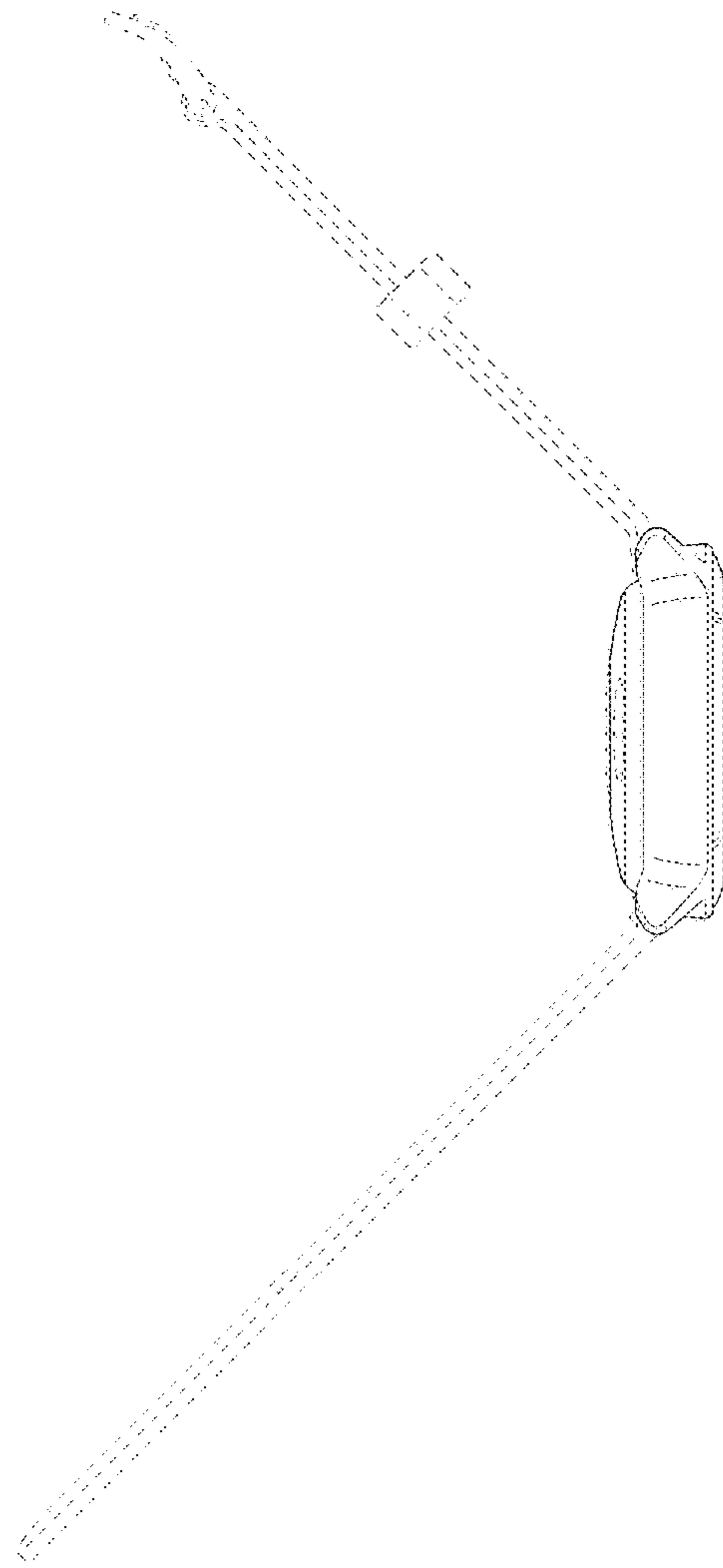
*Fig. 4*



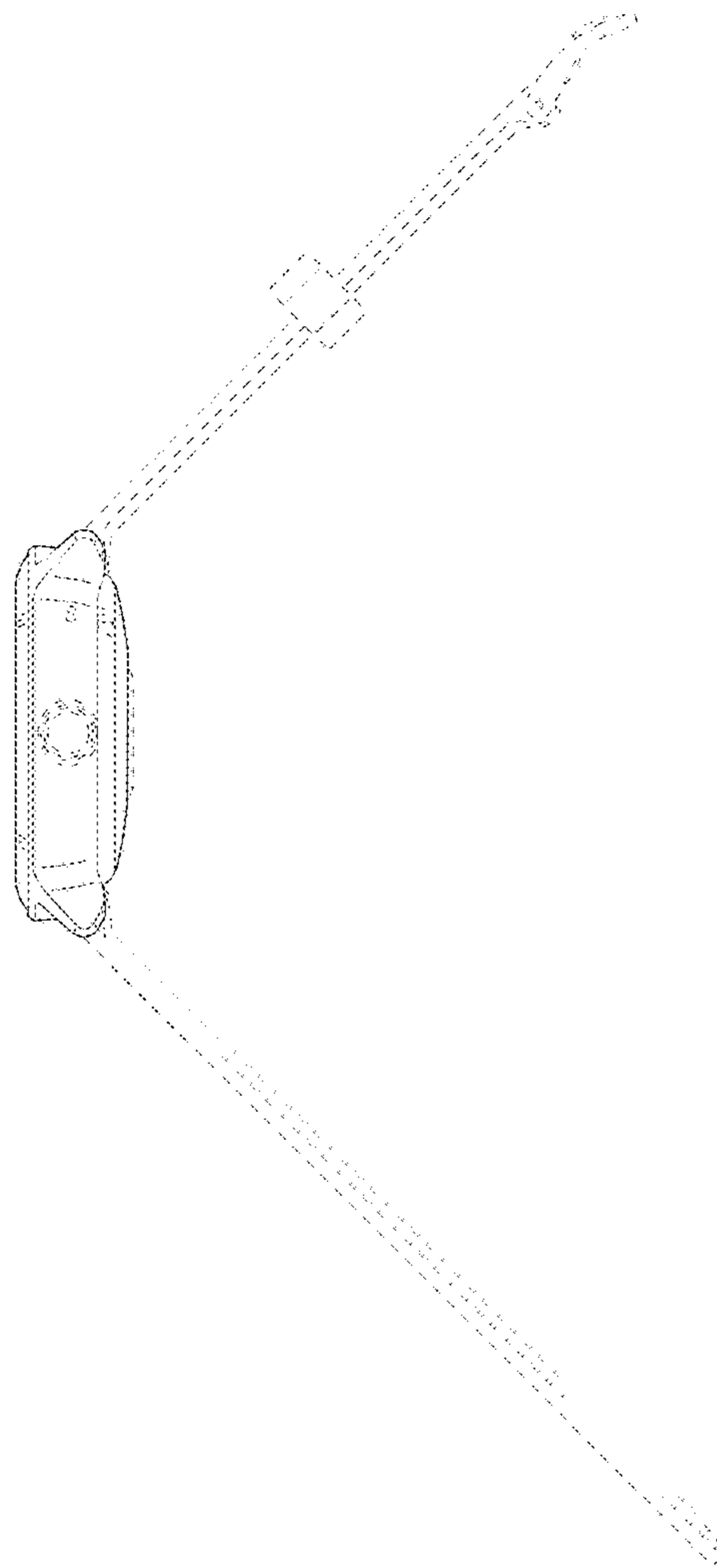
*Fig. 5*



*Fig. 6*



*Fig. 7*



*Fig. 8*