



US00D858311S

(12) **United States Design Patent** (10) **Patent No.:** **US D858,311 S**
Zhang et al. (45) **Date of Patent:** **** Sep. 3, 2019**

(54) **CHILDREN'S SMART WATCH**

(56) **References Cited**

(71) Applicant: **Shen Zhen Zeusis Technologies Co., Ltd.**, Shenzhen, Guangdong Province (CN)

U.S. PATENT DOCUMENTS

D368,433 S * 4/1996 Schulze D10/30
D541,179 S * 4/2007 Ahlstrom D10/31
D591,620 S * 5/2009 Giannini D10/32

(72) Inventors: **Shu Zhang**, Shenzhen (CN); **Jing Wang**, Shenzhen (CN)

(Continued)

(73) Assignee: **SHENZHEN DOZEN TECHNOLOGIES CO., LTD.**, Shenzhen, Guangdong Province (CN)

OTHER PUBLICATIONS

Misfit Phase Hybrid | posted at endgadget.com Oct. 18, 2016 © 2018 Oath Tech Network Aol Tech. [online][site visited Sep. 24, 2018]. Available from internet: <<https://www.engadget.com/2016/10/18/misfit-phase-hybrid-smartwatch/#/>> (Year: 2016).*

(**) Term: **15 Years**

(Continued)

(21) Appl. No.: **29/605,263**

Primary Examiner — Sandra S Snapp

(22) Filed: **May 24, 2017**

Assistant Examiner — Katherine Glennon

(30) **Foreign Application Priority Data**

(74) *Attorney, Agent, or Firm* — Cheng-Ju Chiang

Apr. 26, 2017 (CN) 2017 3 0146043

(51) **LOC (12) Cl.** **10-02**

(57) **CLAIM**

(52) **U.S. Cl.**
USPC **D10/30**

The ornamental design for a children's smart watch, as shown and described.

(58) **Field of Classification Search**

DESCRIPTION

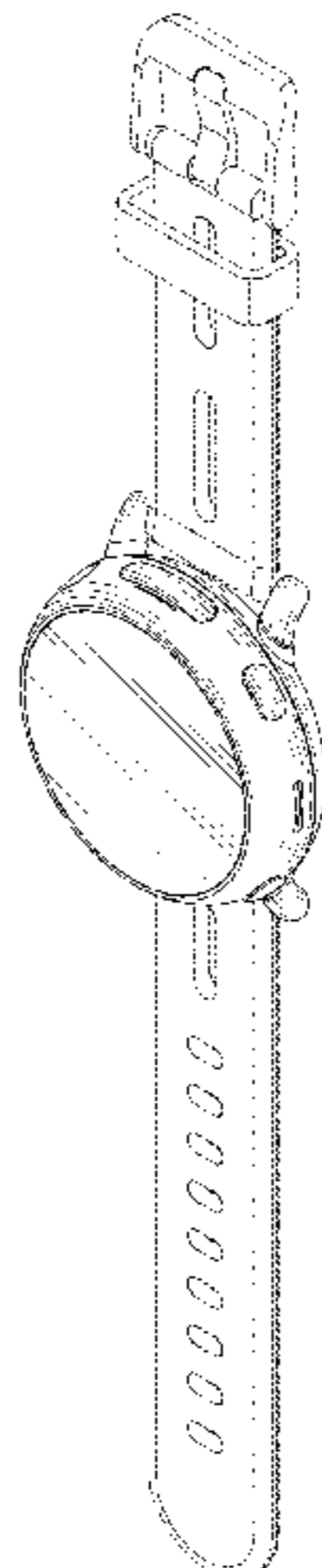
USPC D10/1-2, 10, 30-33, 36-39, 98-99, D10/122-124, 126-128, 132; D11/3; D14/344; D24/167, 186
CPC G04B 19/00; G04B 19/04; G04B 19/06; G04B 19/065; G04B 19/08; G04B 19/085; G04B 19/10; G04B 19/103; G04B 19/106; G04B 47/042; G04B 47/048; G04B 19/12; G04B 19/18; G04B 19/223; G04B 19/22; G04B 19/283; G04B 37/00; G04B 37/0008; G04B 37/0058; G04B 37/04; G04B 37/0418; G04B 45/0061; G04B 45/0069; G04B 19/26; G04B 19/264; G04D 3/04; A44C 5/00; A44C 5/0053; G04C 19/00; G04C 19/02; G04C 3/001; G04F 1/00; G04F 3/00; G04F 3/02; G04G 17/00; G04G 17/005; G04G 17/02-04; G04G 17/08

FIG. 1 is a top, right front perspective view of a children's smart watch showing our new design;
FIG. 2 is a bottom, left front perspective view thereof;
FIG. 3 is a front view thereof;
FIG. 4 is a rear view thereof;
FIG. 5 is a left-side view thereof;
FIG. 6 is a right-side view thereof;
FIG. 7 is a top view thereof;
FIG. 8 is a bottom view thereof; and,
FIG. 9 is an enlarged view of the circled portion 9 shown in FIG. 3.

The broken lines shown in the drawings represent environment and form no part of the claimed design.

See application file for complete search history.

1 Claim, 6 Drawing Sheets



(56)

References Cited

U.S. PATENT DOCUMENTS

D604,643 S * 11/2009 Ahlstrom D10/31
D625,203 S * 10/2010 Giannini D10/32
D785,718 S * 5/2017 Kuramoto D10/32
D795,251 S * 8/2017 Mistry D14/344
2008/0049560 A1 * 2/2008 Clarkson G04B 37/1486
368/281
2013/0088942 A1 * 4/2013 Perko G04R 60/10
368/278
2015/0102879 A1 * 4/2015 Jacobs H01F 7/0247
335/294
2016/0013544 A1 * 1/2016 Lyons H01Q 1/273
343/702
2017/0212474 A1 * 7/2017 Iguchi G04B 37/084
2018/0136610 A1 * 5/2018 Guo G04B 37/113

OTHER PUBLICATIONS

MyKronos ZeRound Smartwatch | posted at amazon.com n.d. ©
1996-2018, Amazon.com, Inc. [online][site visited Sep. 24, 2018].
Available from internet: <<https://www.amazon.com/MyKronoz-Premium-Smartwatch-circular-touchscreen/dp/B01N40Z3BL>> (Year:
2018).*

* cited by examiner

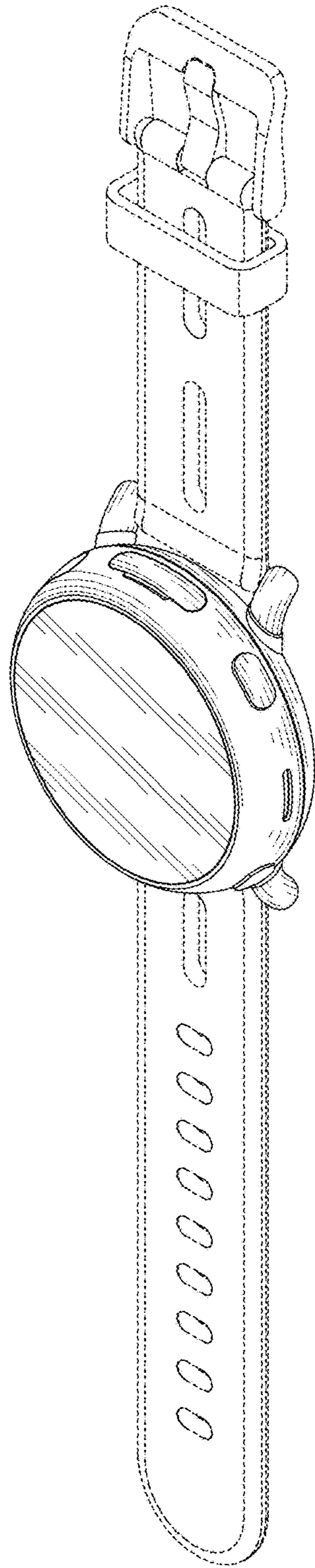


FIG. 1

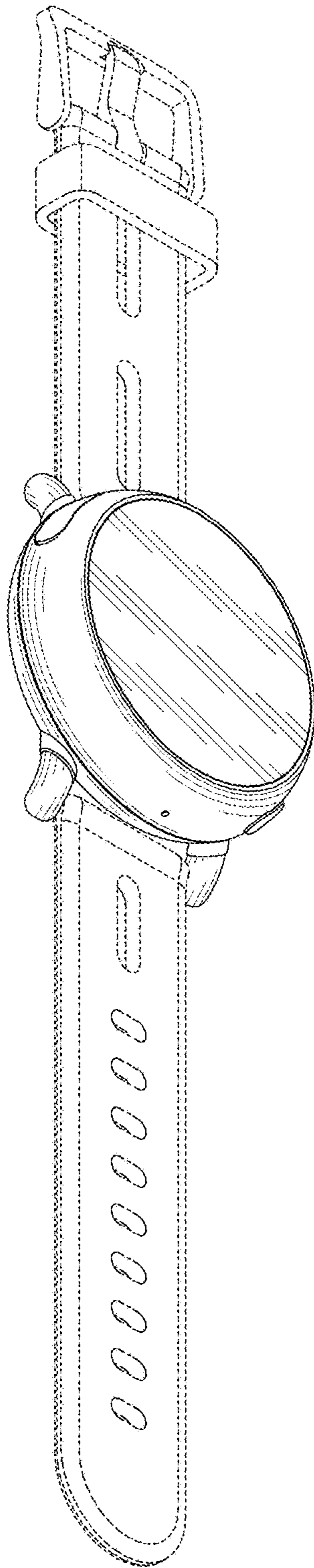


FIG. 2

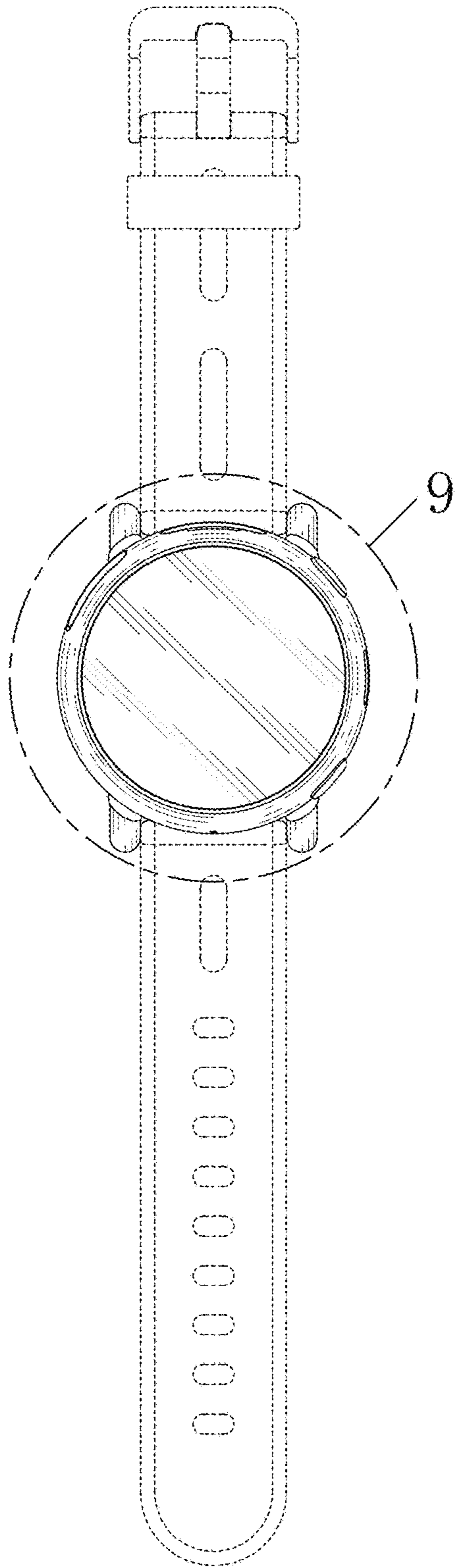


FIG. 3

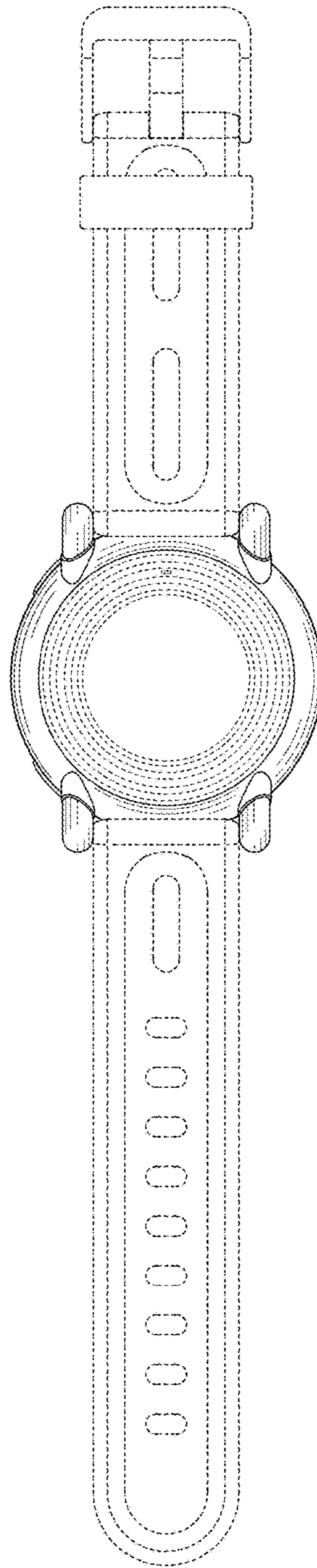


FIG. 4

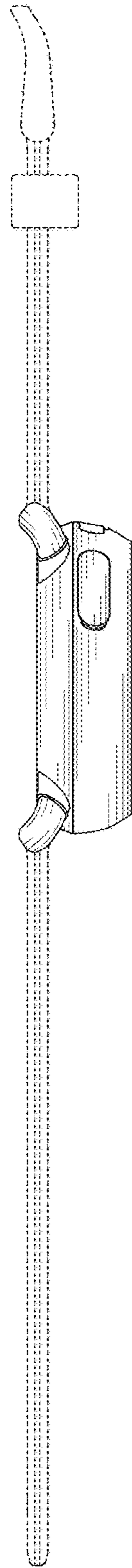


FIG. 5

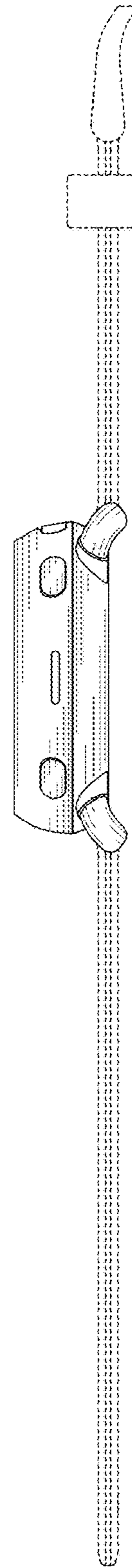


FIG. 6

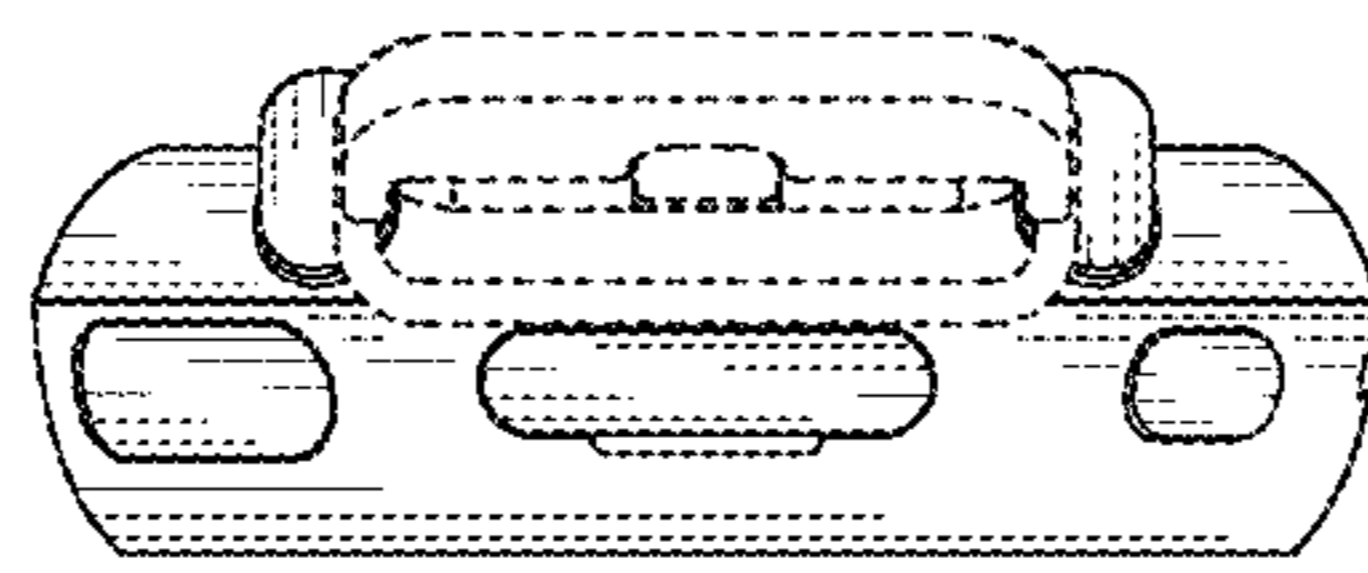


FIG. 7

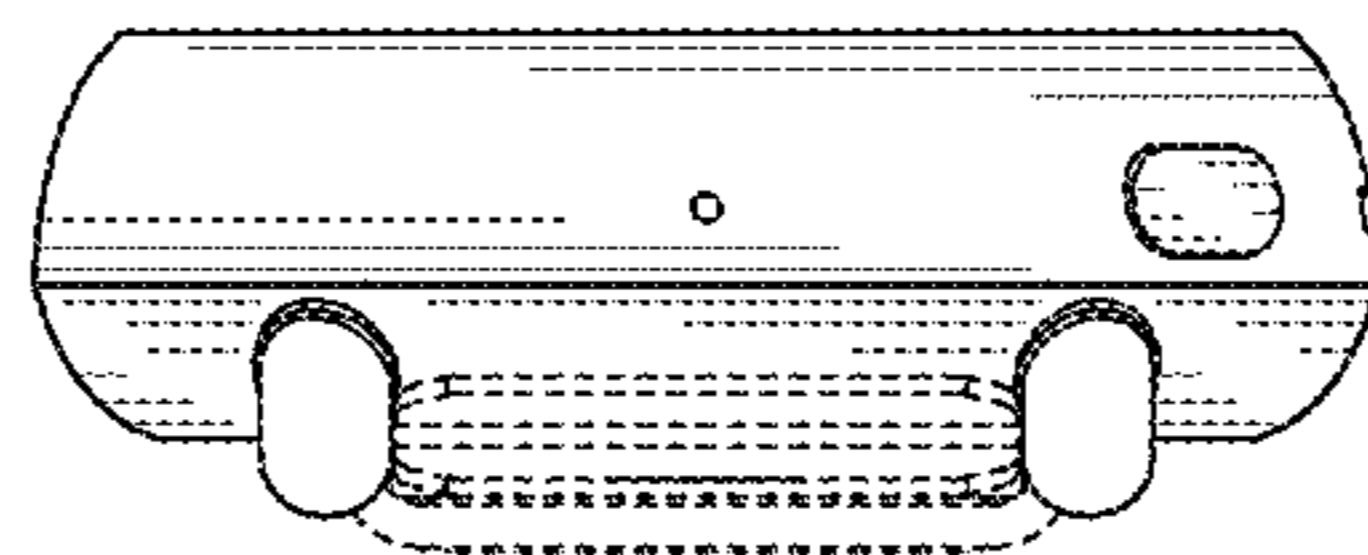


FIG. 8

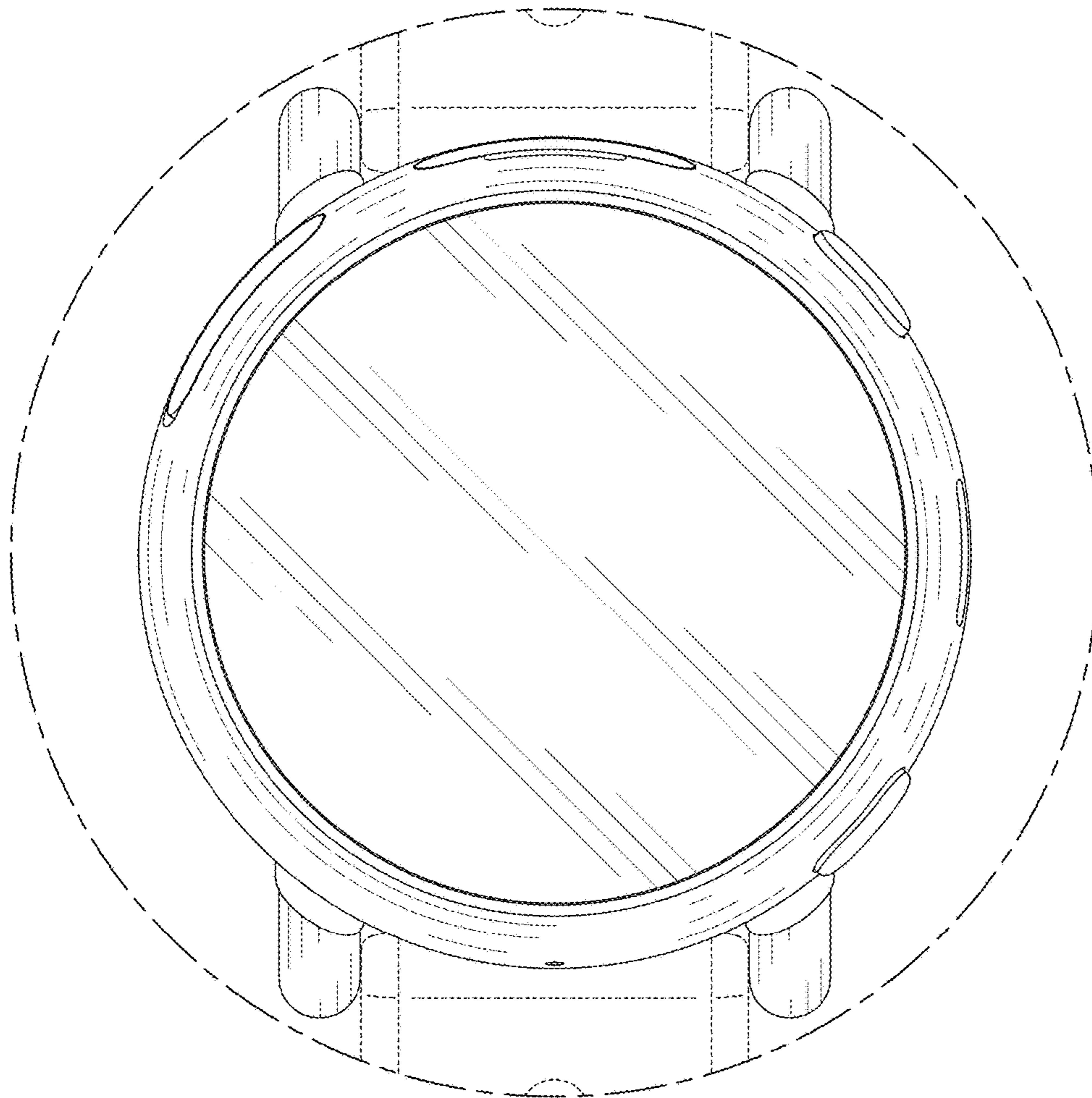


FIG. 9