



US00D858310S

(12) **United States Design Patent** (10) **Patent No.:** **US D858,310 S**
He (45) **Date of Patent:** **** Sep. 3, 2019**

(54) **ALARM CLOCK**
(71) Applicant: **Min He**, Shenzhen (CN)
(72) Inventor: **Min He**, Shenzhen (CN)
(73) Assignee: **Min He**, Shenzhen (CN)
(**) Term: **15 Years**
(21) Appl. No.: **29/643,634**
(22) Filed: **Apr. 10, 2018**
(51) **LOC (12) Cl.** **10-02**
(52) **U.S. Cl.**
USPC **D10/1**
(58) **Field of Classification Search**
USPC D10/1-29, 40, 41, 128-130; D14/170,
D14/171, 188, 194, 195, 197, 198
CPC G04B 19/00; G04B 19/04; G04B 19/34;
G04B 45/0069; G04C 3/00; G04C 3/0001
See application file for complete search history.

7,978,565 B2 * 7/2011 Coffaro G04G 13/02
368/109
D645,841 S * 9/2011 Joseph D14/171
D648,743 S * 11/2011 Chang D14/168
D773,429 S * 12/2016 Holzer D14/171

* cited by examiner

Primary Examiner — Sandra S Snapp
(74) *Attorney, Agent, or Firm* — Timothy T. Wang; Ni,
Wang & Massand, PLLC

(57) **CLAIM**

The ornamental design for an alarm clock, as shown and described.

DESCRIPTION

FIG. 1 is a rear, top perspective view of an alarm clock showing my new design;
FIG. 2 is a front elevation view thereof;
FIG. 3 is a rear elevation view thereof;
FIG. 4 is a right side elevation view thereof;
FIG. 5 is a left side elevation view thereof;
FIG. 6 is a top plan view thereof; and,
FIG. 7 is a bottom plan view thereof.

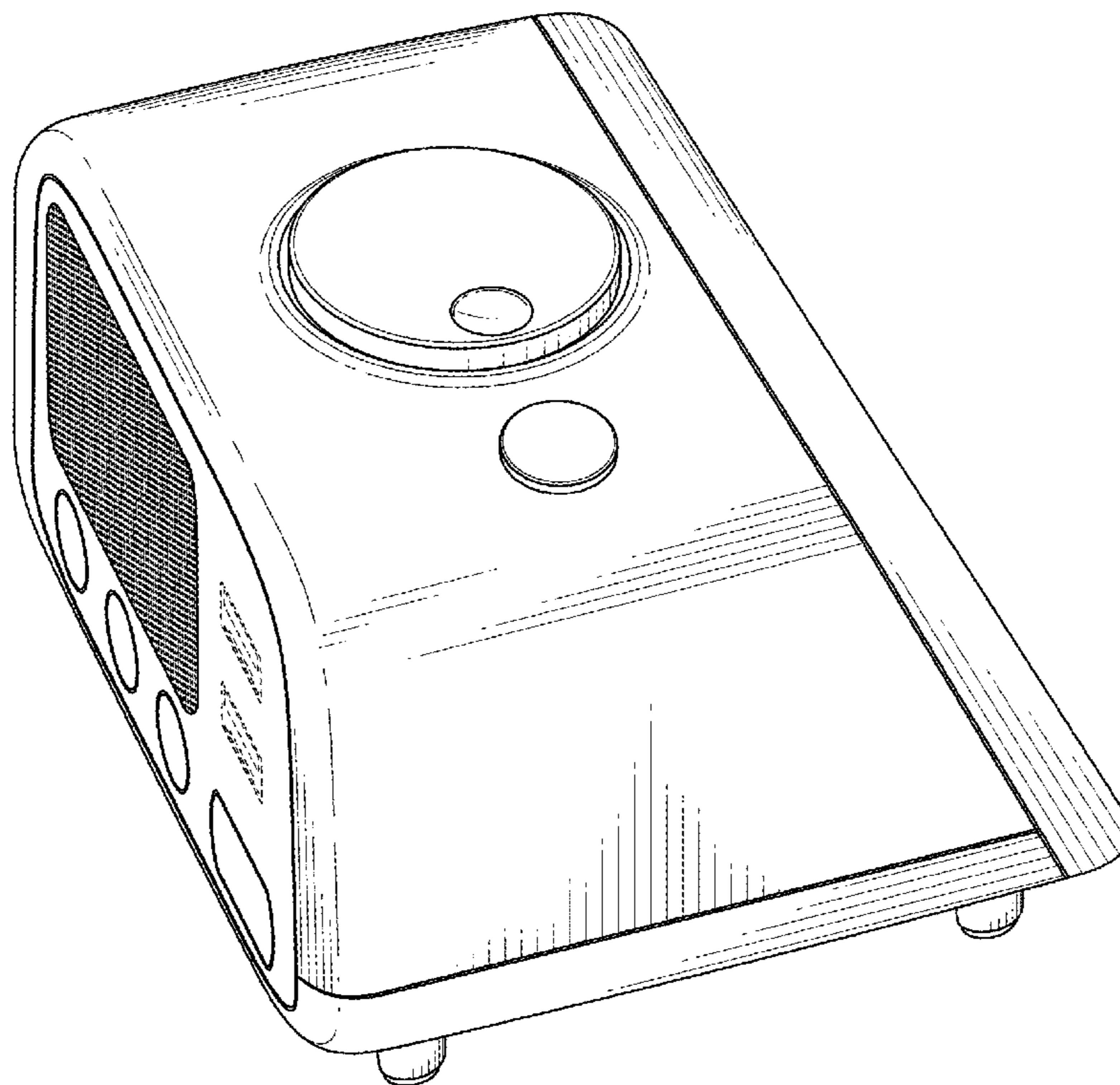
The broken lines showing of elements on the alarm clock, illustrate portions of the article and form no part of the claimed design.

(56) **References Cited**

U.S. PATENT DOCUMENTS

D194,976 S * 4/1963 Waytona 455/347
D252,498 S * 7/1979 Terada D10/15
D298,417 S * 11/1988 Sund D10/40
D605,625 S * 12/2009 Skurdal D14/171
D614,200 S * 4/2010 Skurdal D14/496

1 Claim, 5 Drawing Sheets



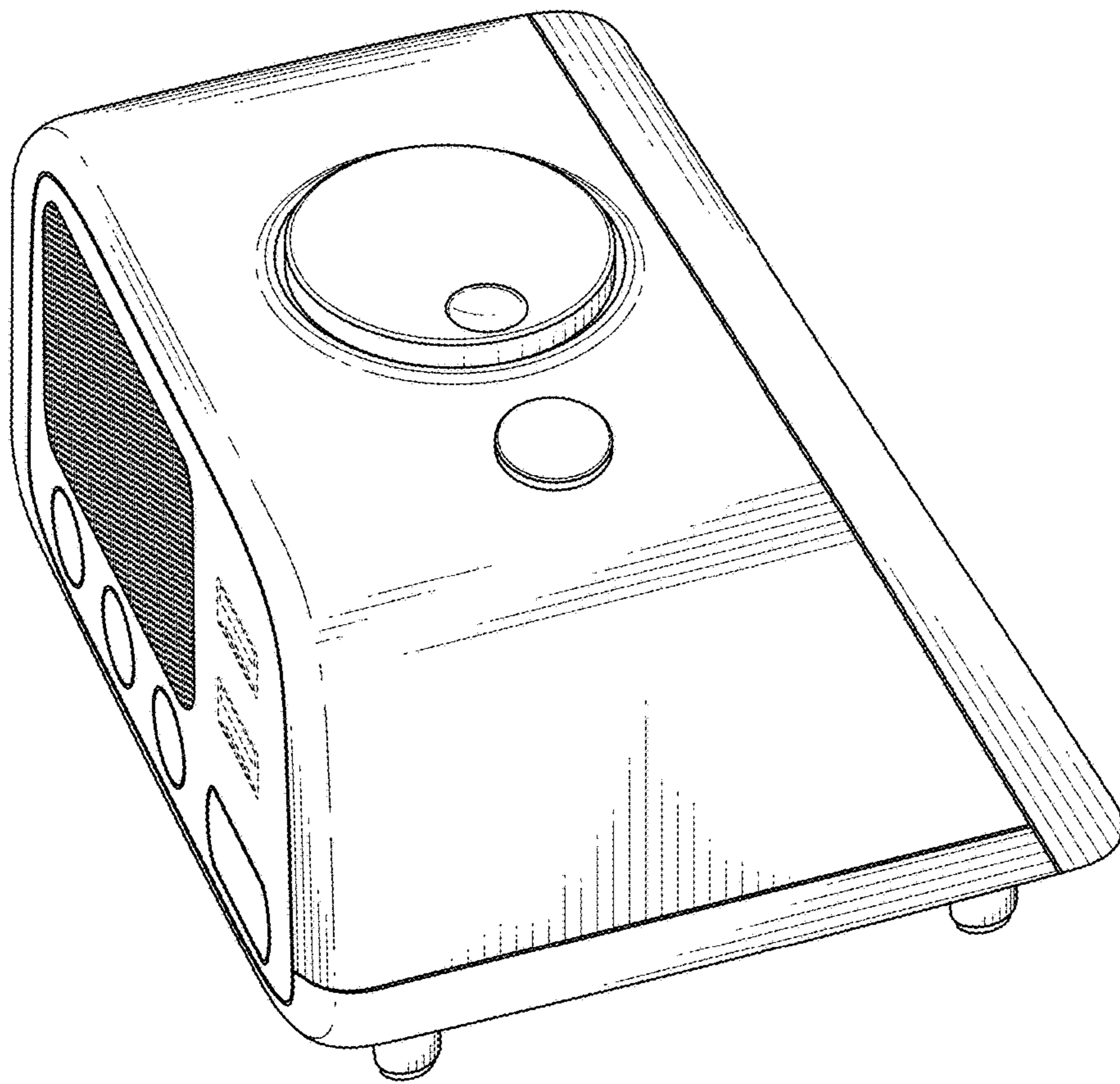


FIG. 1

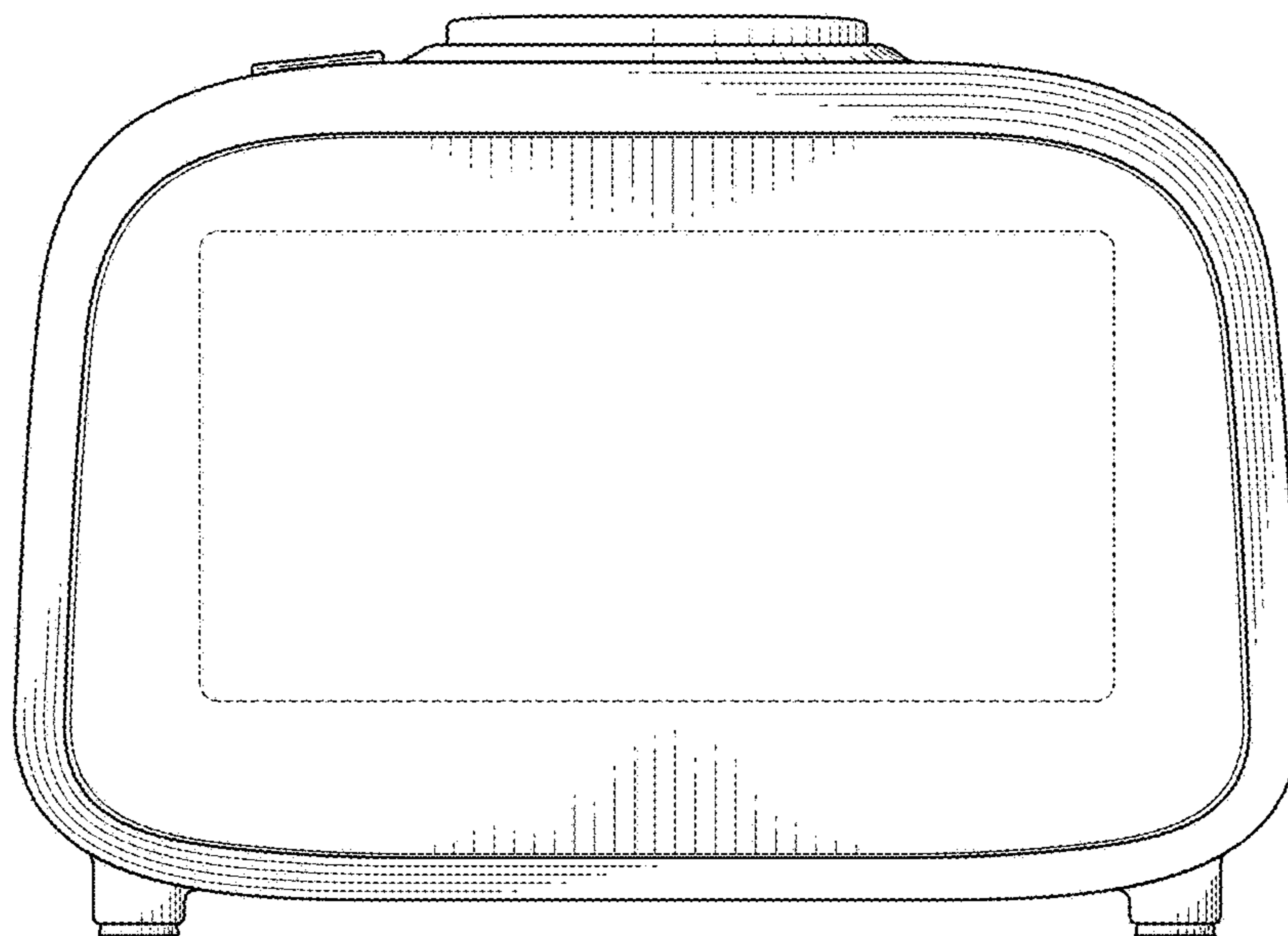


FIG. 2

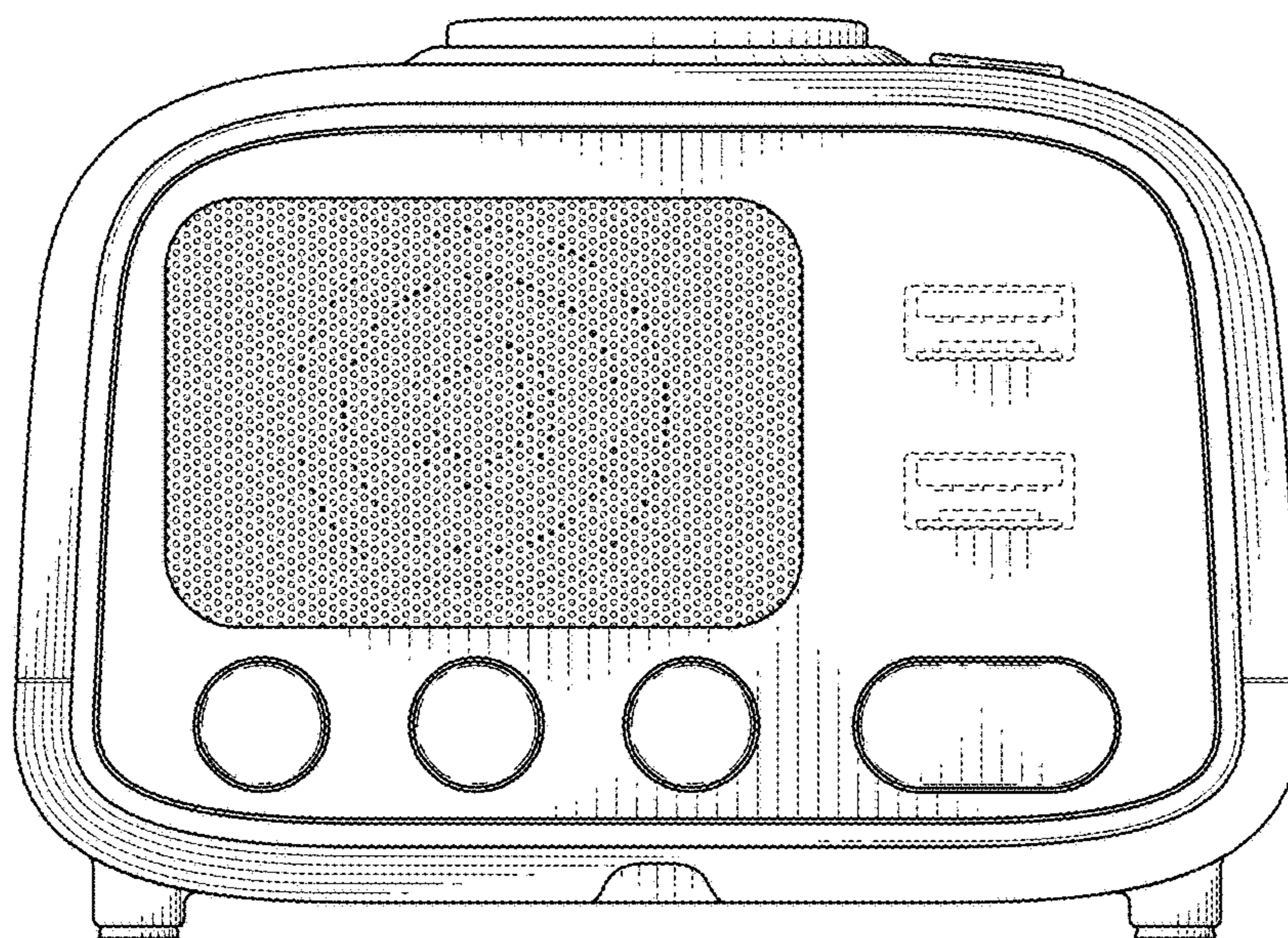


FIG. 3

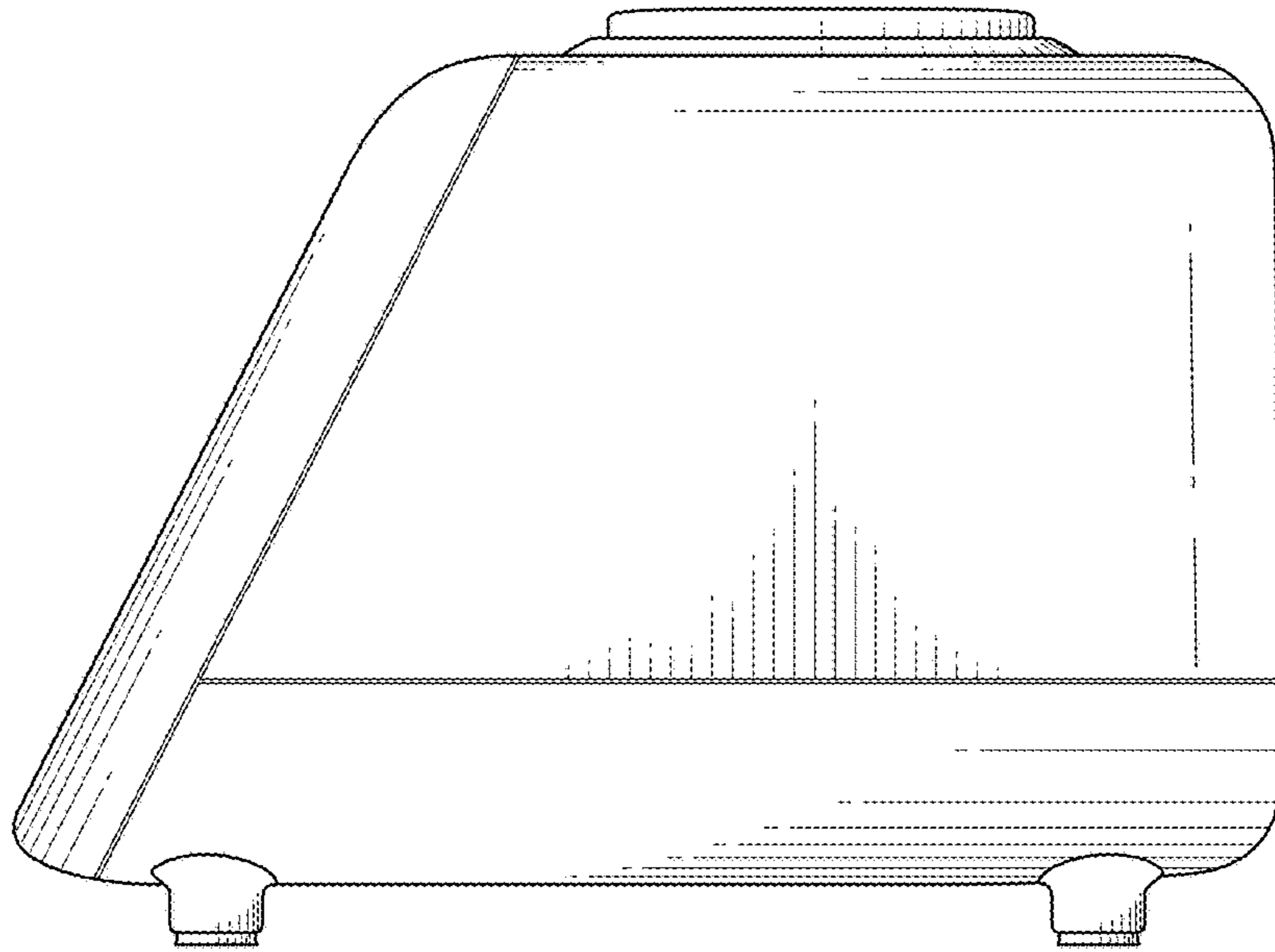


FIG. 4

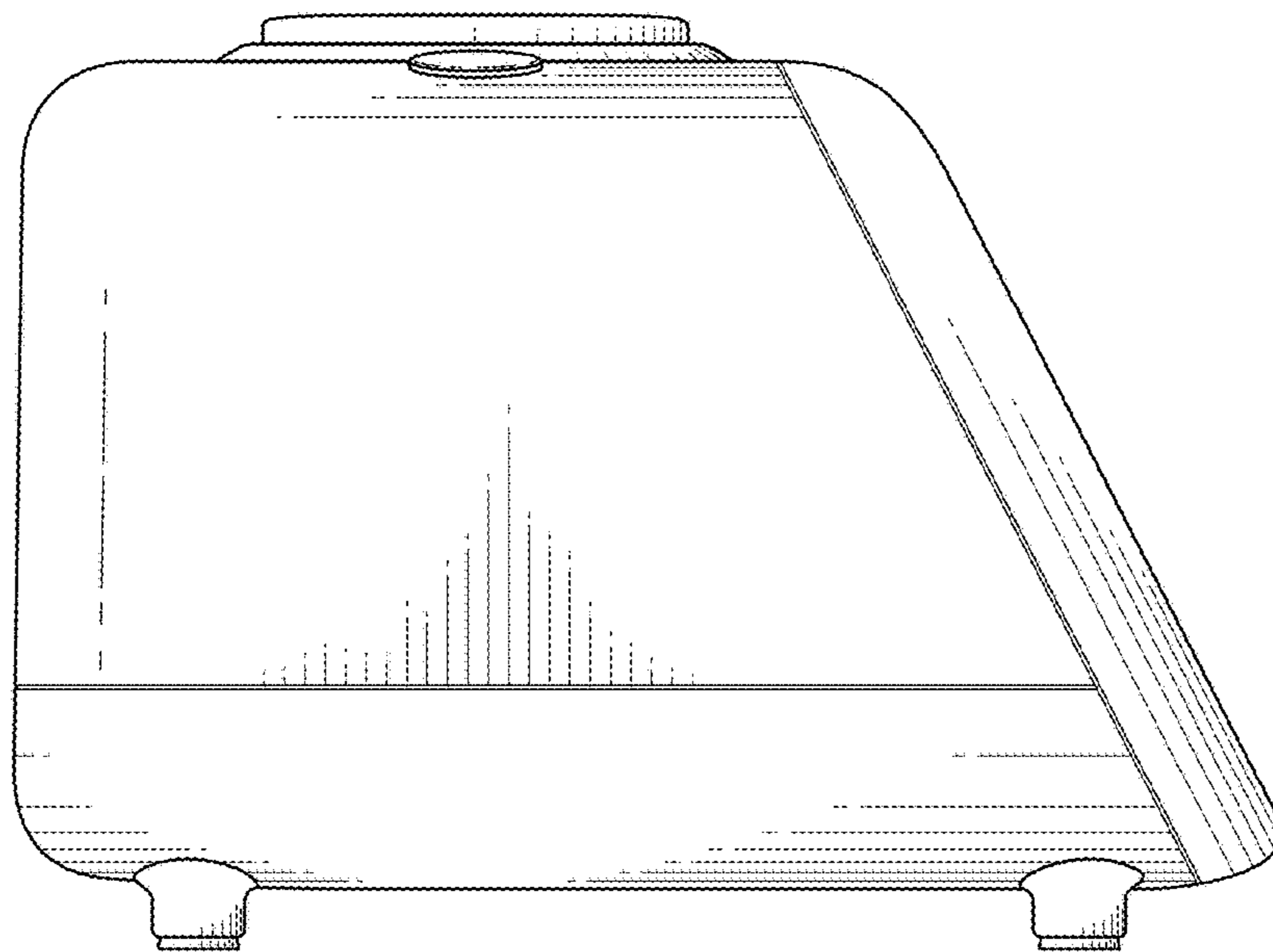


FIG. 5

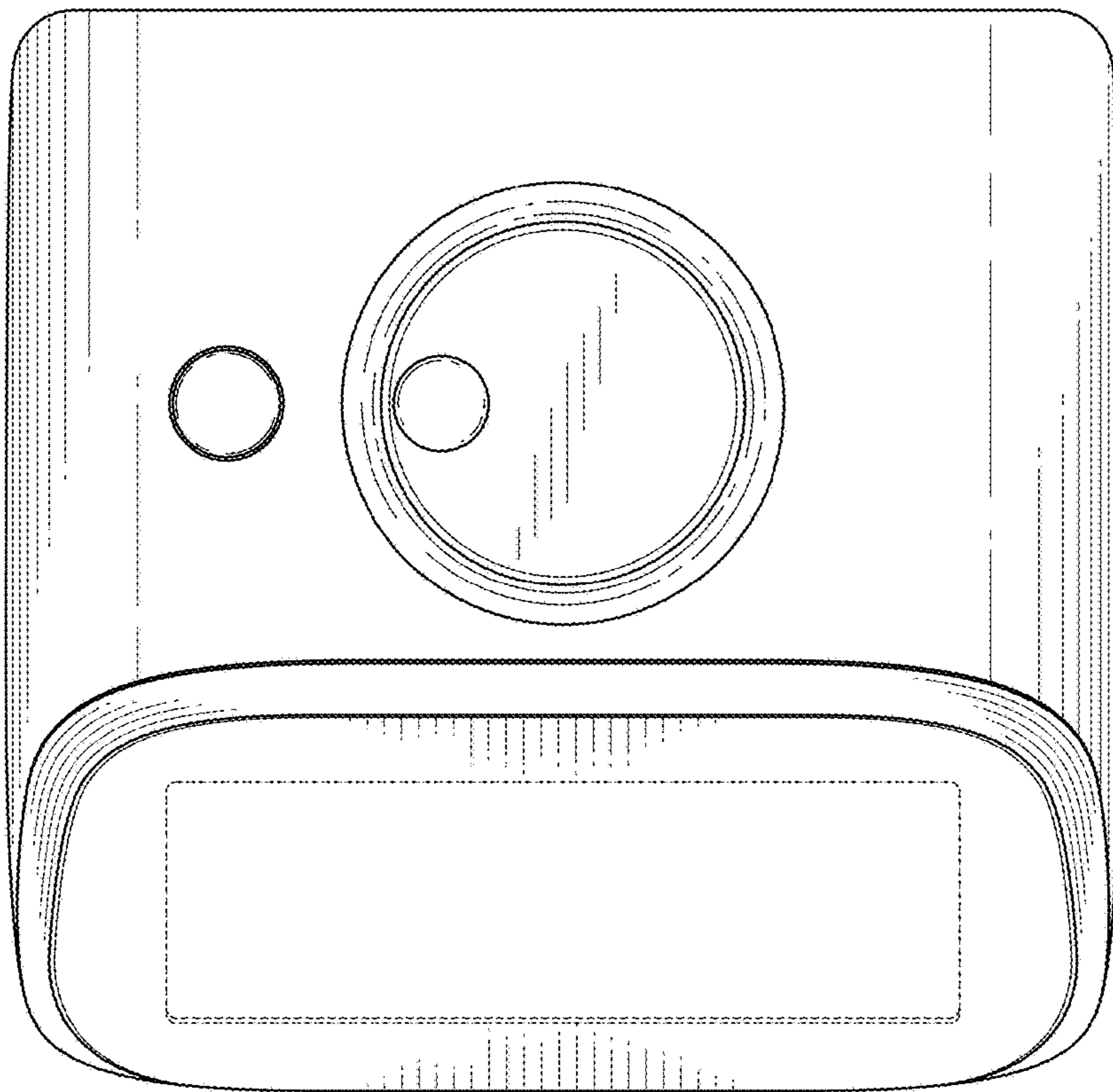


FIG. 6

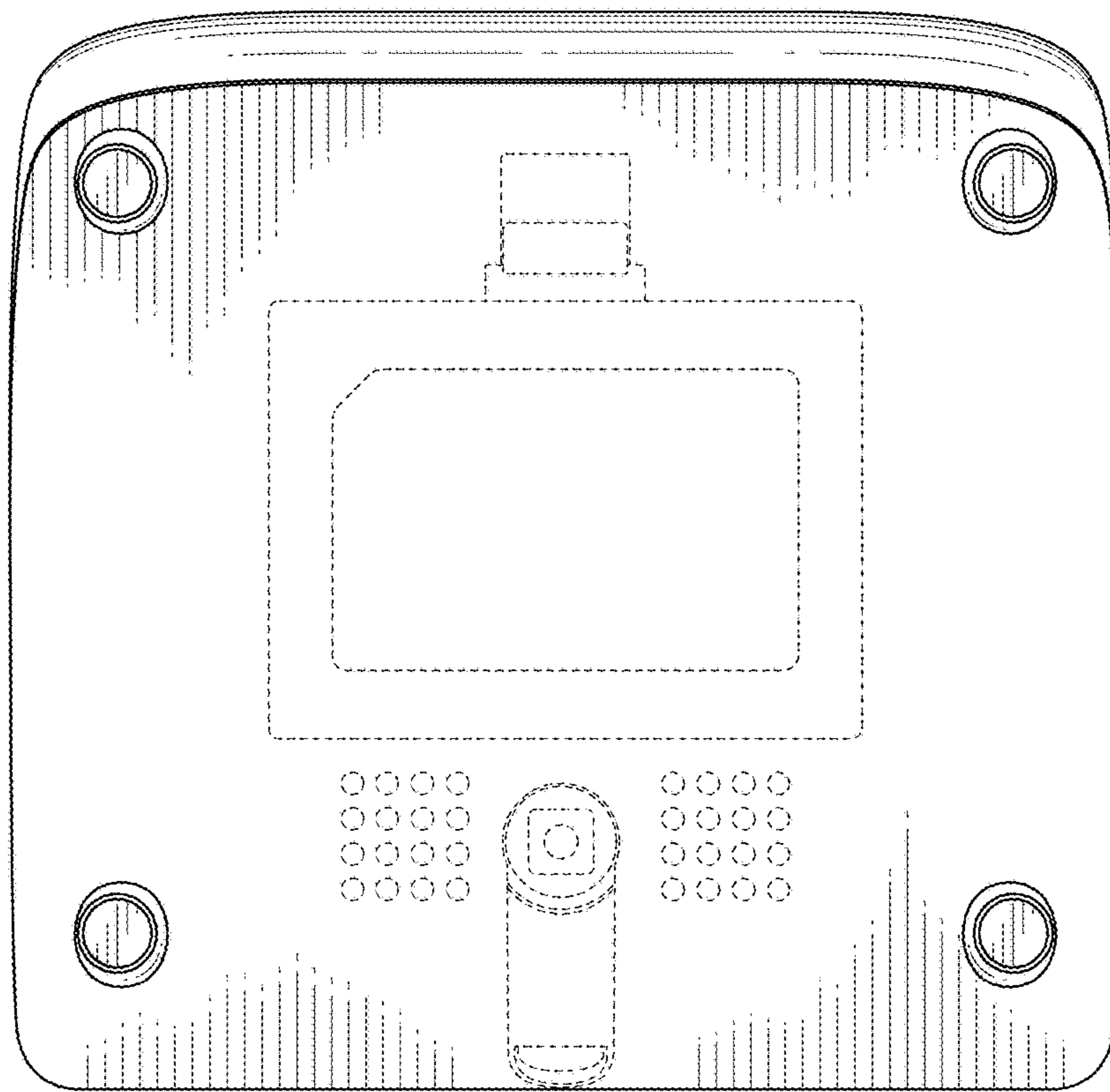


FIG. 7