



US00D858306S

(12) **United States Design Patent**
Nagata

(10) **Patent No.:** **US D858,306 S**

(45) **Date of Patent:** **** Sep. 3, 2019**

(54) **BOTTLE FOR COSMETICS**

(71) Applicant: **Kaori Nagata**, Tokyo (JP)

(72) Inventor: **Kaori Nagata**, Tokyo (JP)

(73) Assignee: **SHISEIDO CO., LTD.**, Tokyo (JP)

(**) Term: **15 Years**

(21) Appl. No.: **29/654,615**

(22) Filed: **Jun. 26, 2018**

(51) **LOC (12) Cl.** **09-01**

(52) **U.S. Cl.**

USPC **D9/690**; D9/682; D9/692; D9/694

(58) **Field of Classification Search**

USPC D9/435, 436, 439, 442, 444, 445,

D9/448-450, 452, 682-694, 516, 520,

D9/537-561, 723-729, 766-771, 76-91.1

CPC .. A45D 34/02; A45D 34/04; A45D 2034/002;

A45D 2200/054; A45D 2200/055; A45D

2200/056; A45D 2200/057; A45D

2034/005; A45D 2034/007; B05B

11/00-3098

See application file for complete search history.

(56) **References Cited**

U.S. PATENT DOCUMENTS

D23,274 S *	5/1894	Davids	D9/546
D57,524 S *	4/1921	Humphrey	D9/768
D58,367 S *	7/1921	Hothersall	D9/771
D58,383 S *	7/1921	Hothersall	D9/767
D61,783 S *	1/1923	Humphrey	D9/771
D228,173 S *	8/1973	Kretz	D7/316
D264,685 S *	6/1982	Ducros	D9/556
D342,679 S *	12/1993	O'Neill	D28/91.1
D357,865 S *	5/1995	Hansen	D9/453
D390,117 S *	2/1998	Kan	D9/504
D396,186 S *	7/1998	Fiore	D9/529
D413,793 S *	9/1999	Favre	D9/692

D418,421 S *	1/2000	Mansau	D9/516
D423,922 S *	5/2000	Ohchi	D9/503
D436,232 S *	1/2001	Denham	D28/7
D437,212 S *	2/2001	Adachi	D9/686
D448,306 S *	9/2001	de Giovellina	D9/560
D464,889 S *	10/2002	Cogley	D9/538
6,923,343 B1 *	8/2005	Erxleben	B05B 11/3045 215/219

(Continued)

FOREIGN PATENT DOCUMENTS

EM	005138526-0001	*	4/2019
KR	300566794.0000	*	7/2010

(Continued)

Primary Examiner — Catherine A Tuttle

(74) *Attorney, Agent, or Firm* — Manabu Kanesaka

(57) **CLAIM**

The ornamental design for bottle for cosmetics, as shown and described.

DESCRIPTION

FIG. 1 is a perspective view of a bottle for cosmetics showing my new design;

FIG. 2 is a front view thereof;

FIG. 3 is a rear view thereof;

FIG. 4 is a top plan view thereof;

FIG. 5 is a bottom plan view thereof;

FIG. 6 is a left side view thereof;

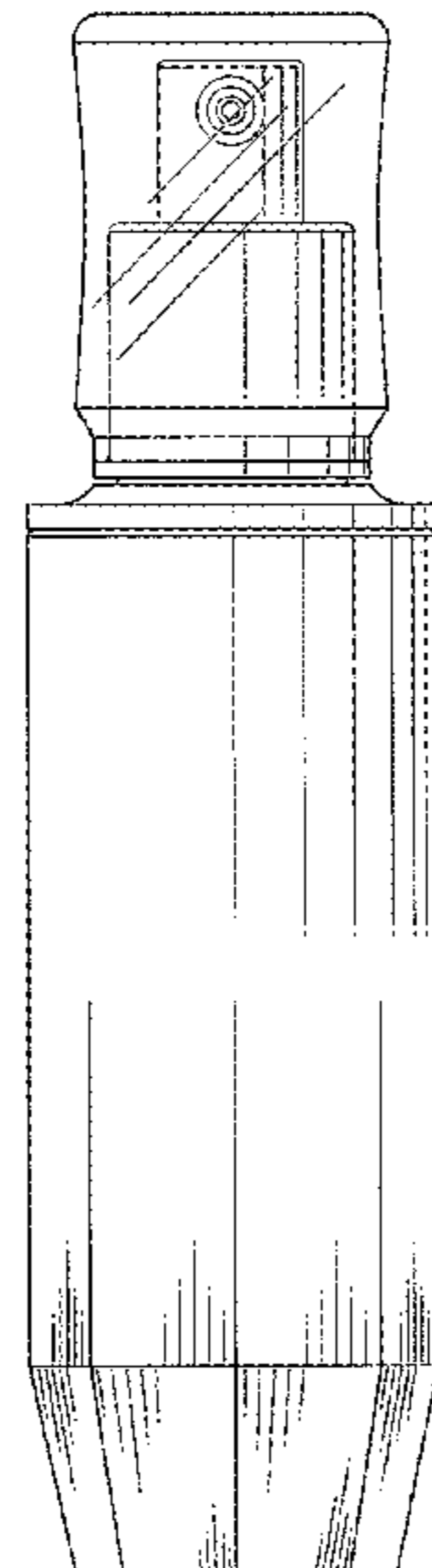
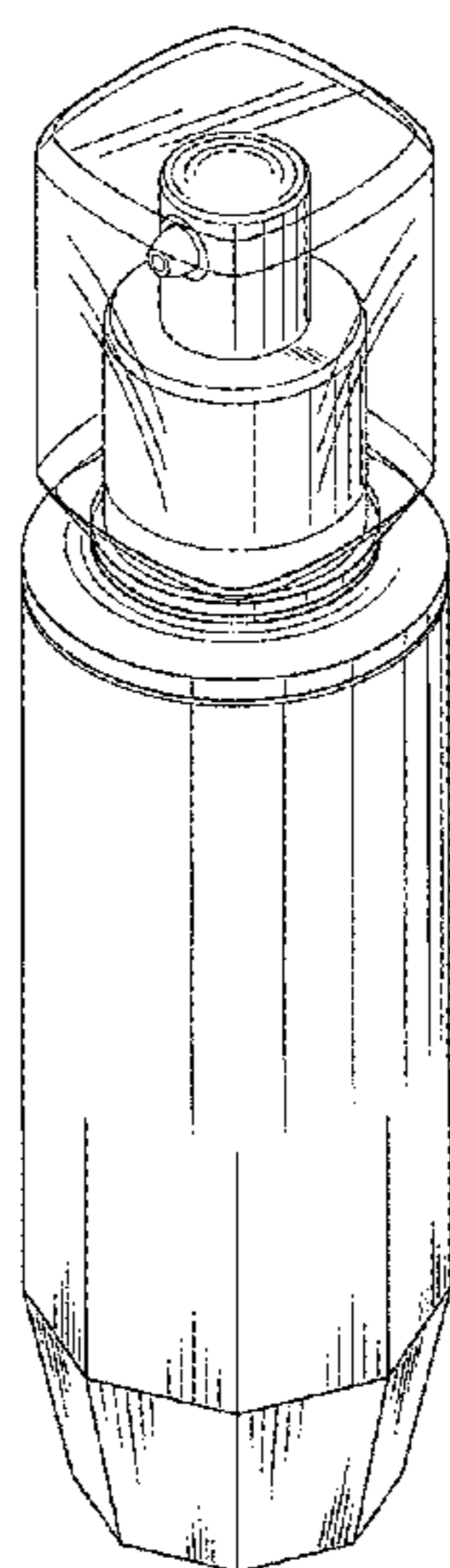
FIG. 7 is a right side view thereof;

FIG. 8 is a cross-sectional view thereof along the line 8-8 in FIG. 4; and,

FIG. 9 is a cross-sectional view thereof along the line 9-9 in FIG. 4.

The cap portion of present article is of transparent material. The broken lines in FIGS. 8 and 9 depict interior portions of the bottle for cosmetics that form no part of claimed design.

1 Claim, 3 Drawing Sheets



(56)

References Cited

U.S. PATENT DOCUMENTS

D532,556 S * 11/2006 Noh D28/76
D615,874 S * 5/2010 Nagata D9/448
D643,743 S * 8/2011 Yu D9/689
D680,443 S * 4/2013 You D9/691
D714,157 S * 9/2014 Albertini D9/560
D715,156 S * 10/2014 Park D9/688
D735,052 S * 7/2015 Hwang D9/690
D739,251 S * 9/2015 Kawai D9/435
D777,041 S * 1/2017 Hui D9/687
D781,715 S * 3/2017 Lee D9/558
D818,840 S * 5/2018 Nagata D9/692

FOREIGN PATENT DOCUMENTS

KR 300664853.0000 * 10/2012
KR 300868794.0000 * 8/2016
RU 00100825 * 12/2016

* cited by examiner

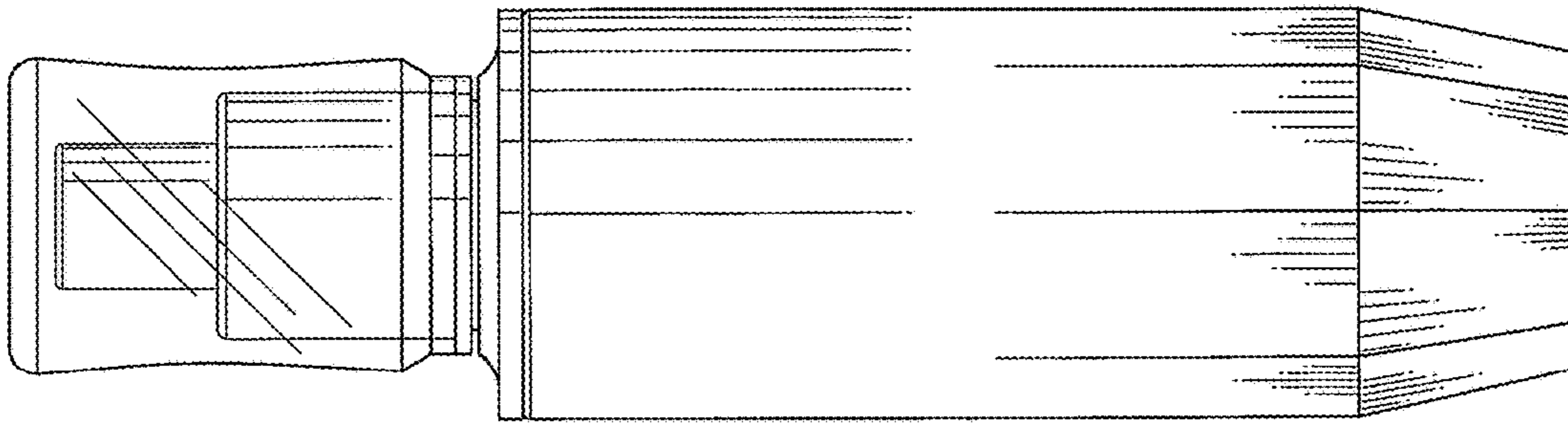


Fig. 3

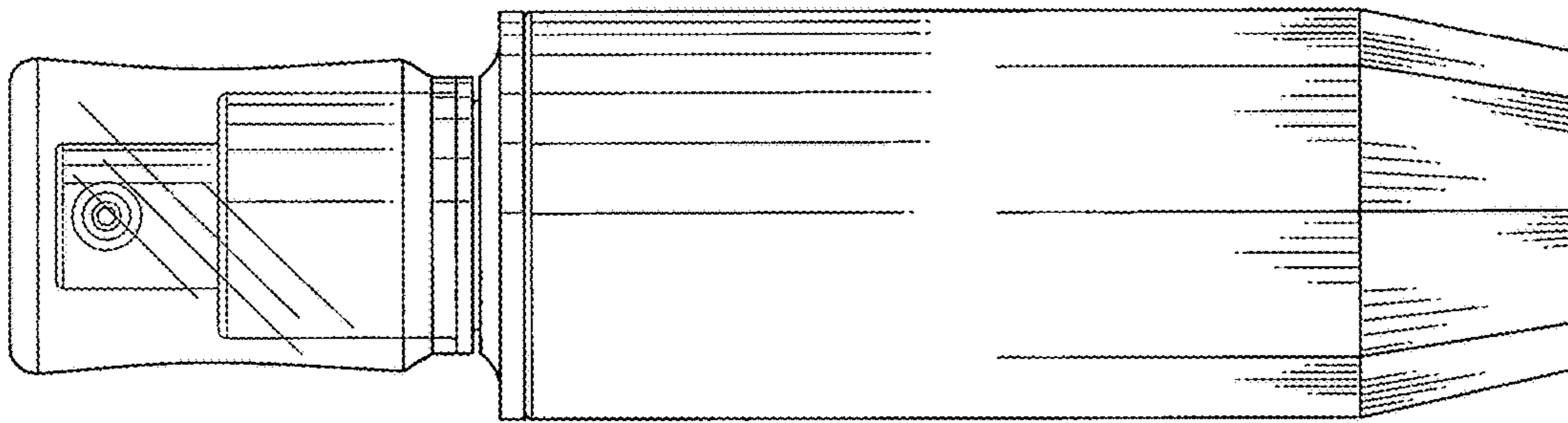


Fig. 2

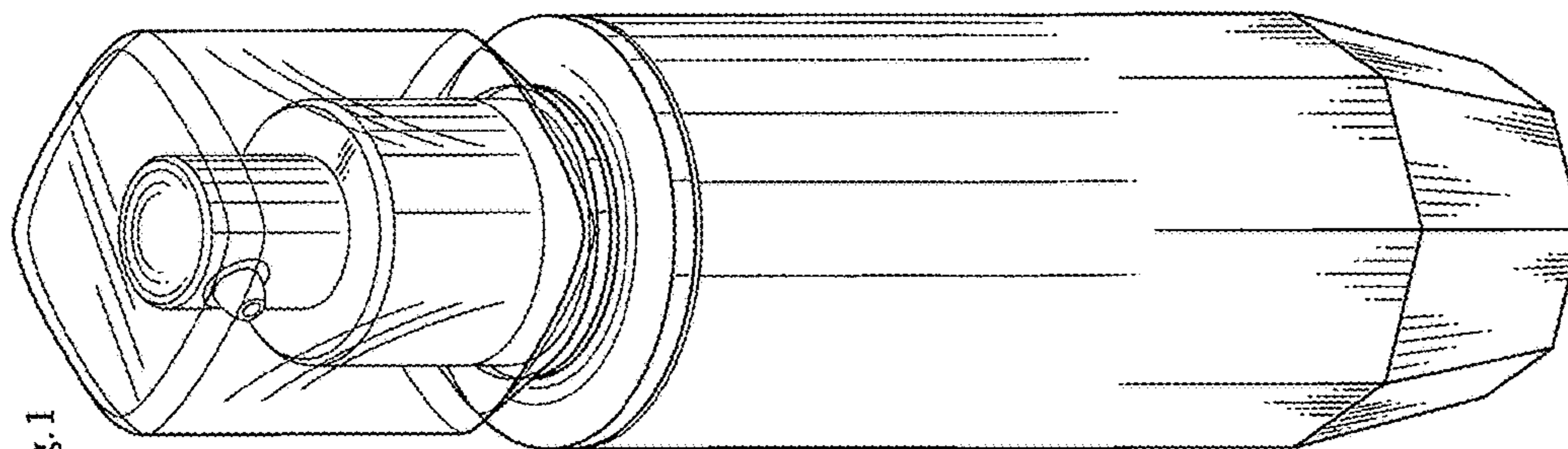


Fig. 1

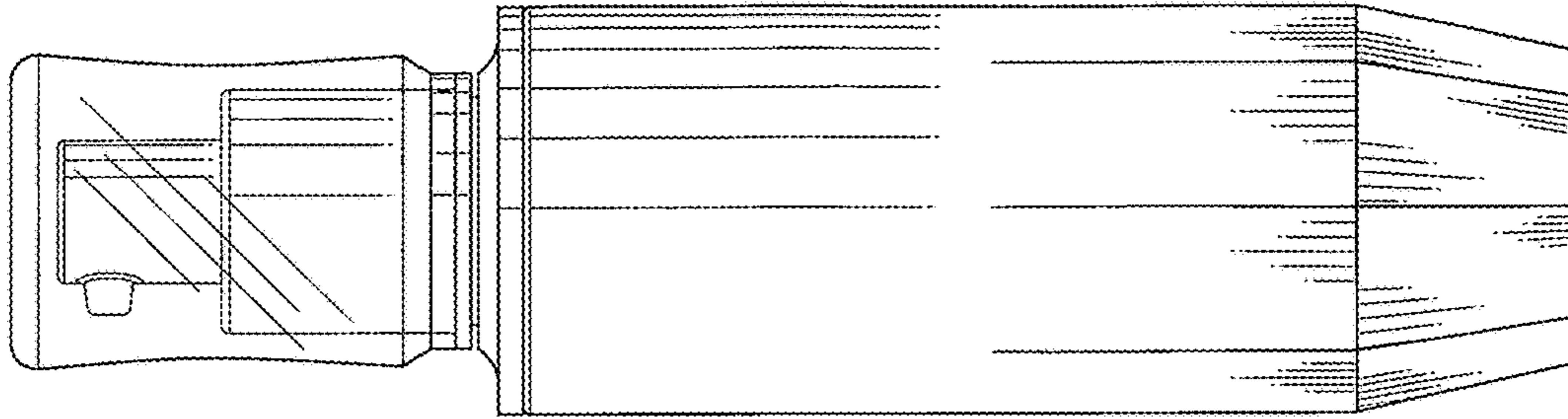


Fig. 7

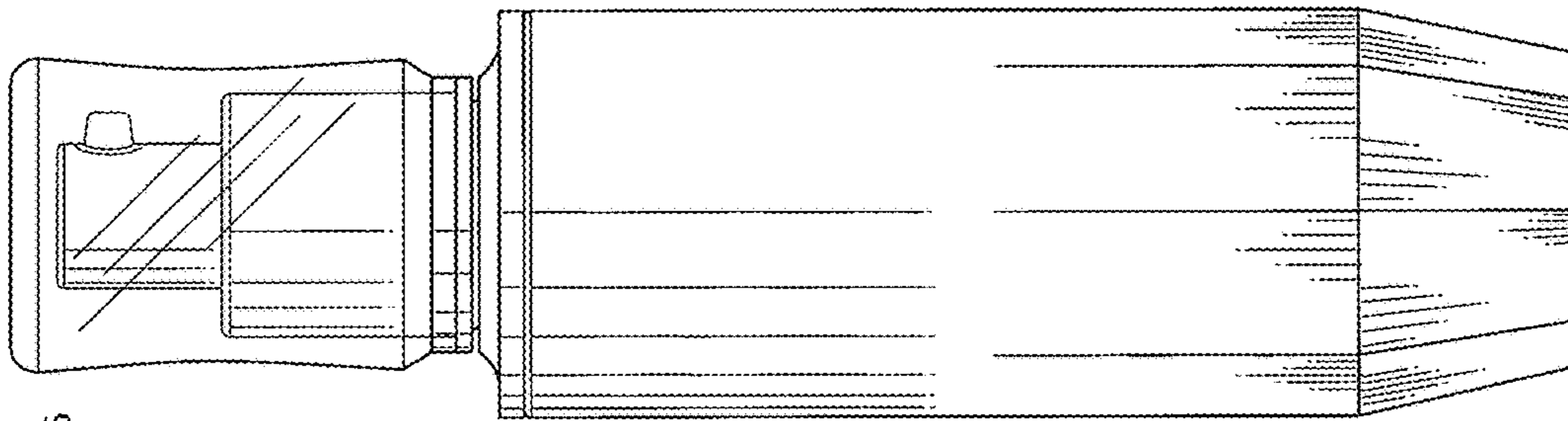


Fig. 6

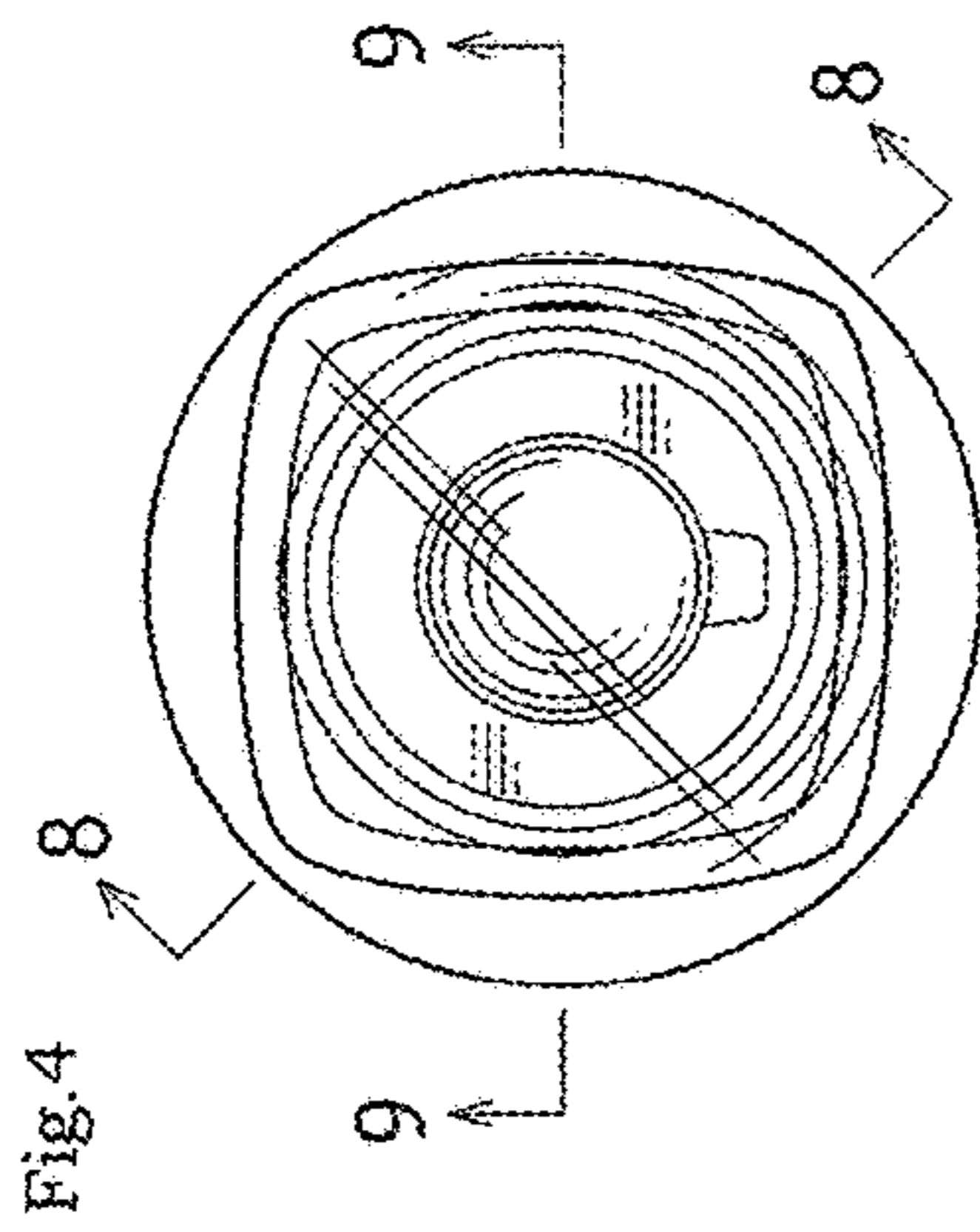


Fig. 4

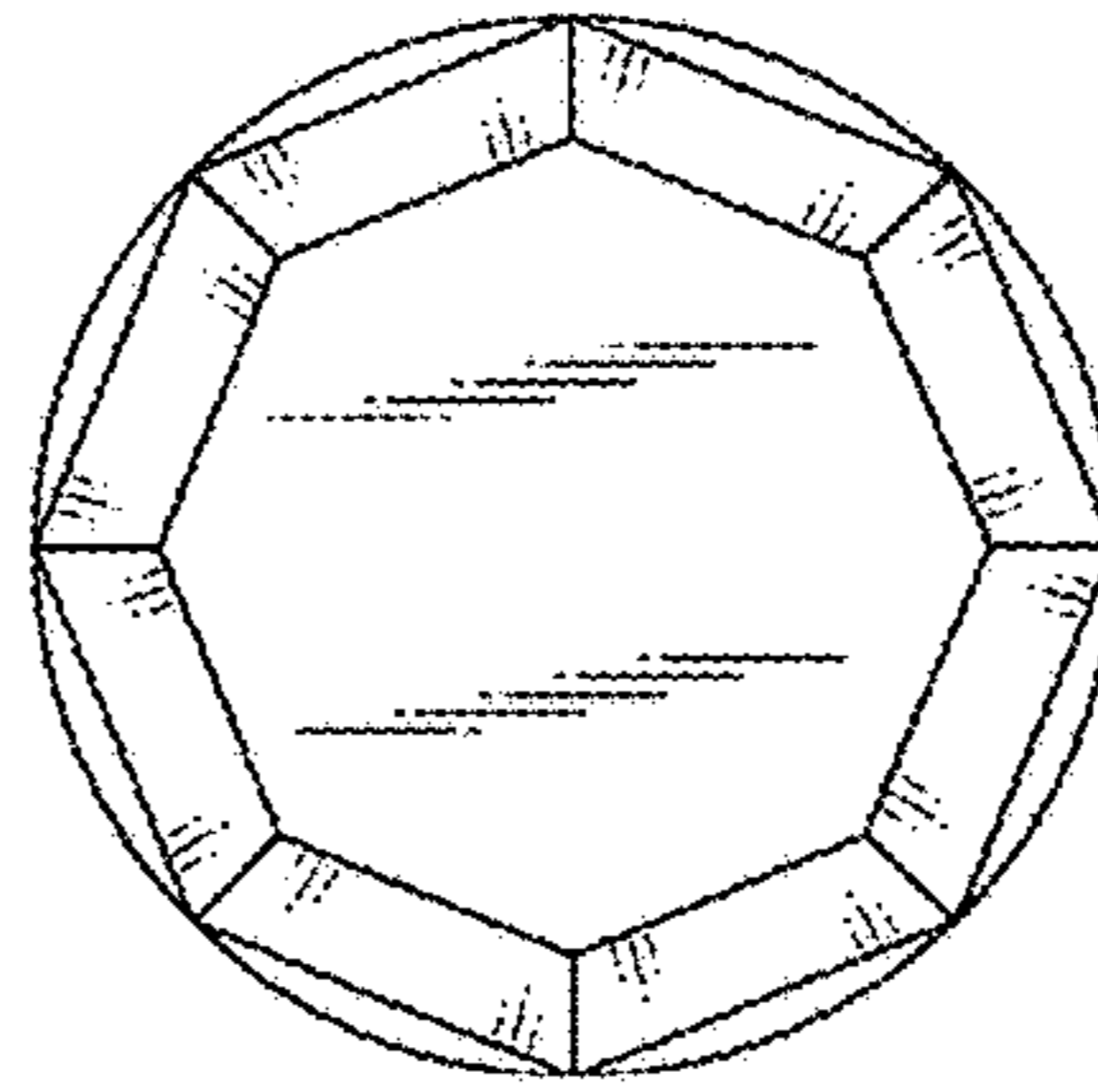


Fig. 5

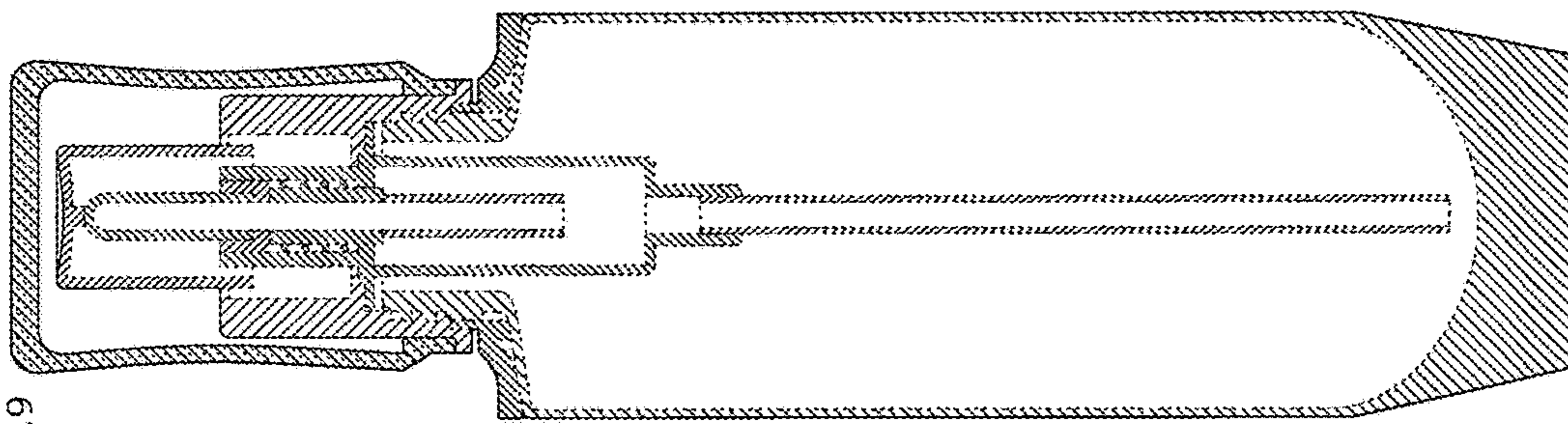


Fig. 9

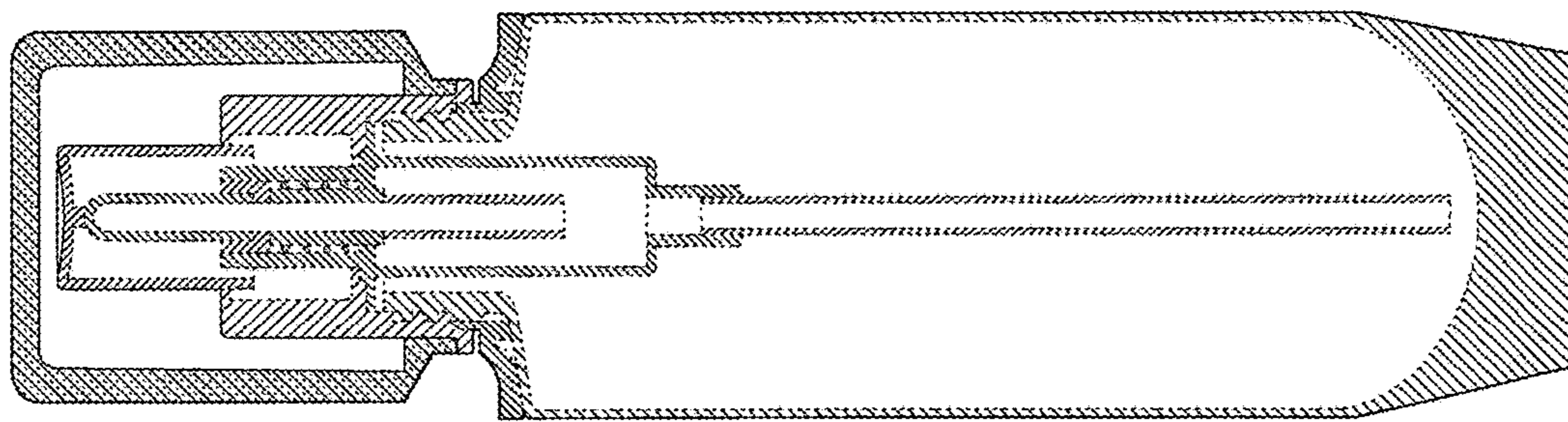


Fig. 8