



US00D858302S

(12) **United States Design Patent** (10) **Patent No.:** **US D858,302 S**  
**Geerlings** (45) **Date of Patent:** **\*\* Sep. 3, 2019**

(54) **BOTTLE**

(56) **References Cited**

(71) Applicant: **THE BRANDBUILDER B.V.**,  
Amsterdam (NL)

(72) Inventor: **Robert D. Geerlings**, Amsterdam (NL)

(\*\*) Term: **15 Years**

(21) Appl. No.: **35/504,711**

(22) Filed: **Mar. 15, 2018**

(80) **Hague Agreement Data**

Int. Filing Date: **Mar. 15, 2018**

Int. Reg. No.: **DM/100295**

Int. Reg. Date: **Mar. 15, 2018**

Int. Reg. Pub. Date: **Apr. 6, 2018**

(51) **LOC (12) Cl.** ..... **09-01**

(52) **U.S. Cl.**  
USPC ..... **D9/636**

(58) **Field of Classification Search**  
USPC ..... D9/636-638, 640, 641; D7/301-303,  
D7/606, 319.2, 328, 329; D21/483, 506,  
D21/507, 510, 511  
CPC ... B65D 1/00; B65D 1/02; B65D 1/12; B65D  
1/14; B65D 1/40; B65D 1/44; B65D  
1/023; B65D 1/0223; B65D 1/165; B65D  
1/238; B65D 1/246; B65D 1/253; B65D  
7/04; B65D 21/0209; B65D 21/0233;  
B65D 25/00; B65D 25/28; B65D  
41/0457; B65D 41/17; B65D 53/06;  
B65D 75/56; B65D 79/005; B65D  
2501/0036; B65D 2543/00064; B65D  
2543/00074; B65D 2543/00083; B65D  
2543/00092; B65D 2543/00101; B65D  
2543/00111

See application file for complete search history.

U.S. PATENT DOCUMENTS

D1,538 S *	2/1862	Drake	.....	D9/638
D1,883 S *	1/1864	Scott	.....	D9/638
D3,926 S *	3/1870	Gamhart	.....	D9/638
D35,510 S *	12/1901	Berman	.....	D9/636
D38,315 S *	11/1906	Moon	.....	D9/638
D77,742 S *	2/1929	Contueff	.....	D9/560
D91,295 S *	1/1934	Doyle	.....	D9/638
D93,625 S *	10/1934	Kessler	.....	D9/638
D99,916 S *	6/1936	Smith	.....	D9/638
D103,434 S *	3/1937	Rosefield	.....	D9/636
D118,593 S *	1/1940	DuPree	.....	D9/638
D138,602 S *	8/1944	Merralls	.....	D9/452
D171,294 S *	1/1954	Braun	.....	D9/637
D173,371 S *	11/1954	Perinet	.....	D9/624
D188,135 S *	6/1960	Koenig	.....	D25/7
D265,547 S *	7/1982	Vogel	.....	D9/638
D310,626 S *	9/1990	Dinand	.....	D9/560
D376,757 S *	12/1996	Kress	.....	D9/637
D385,182 S *	10/1997	Haas	.....	D21/508
D388,321 S *	12/1997	Chahed	.....	D9/451
D527,276 S *	8/2006	Harris	.....	D9/637
7,371,148 B2 *	5/2008	Marine	.....	A63H 3/52 446/476
D575,163 S *	8/2008	Venturini Fendi	.....	D9/544
D607,342 S *	1/2010	Lepoitevin	.....	D9/636

(Continued)

Primary Examiner — Keli L Hill

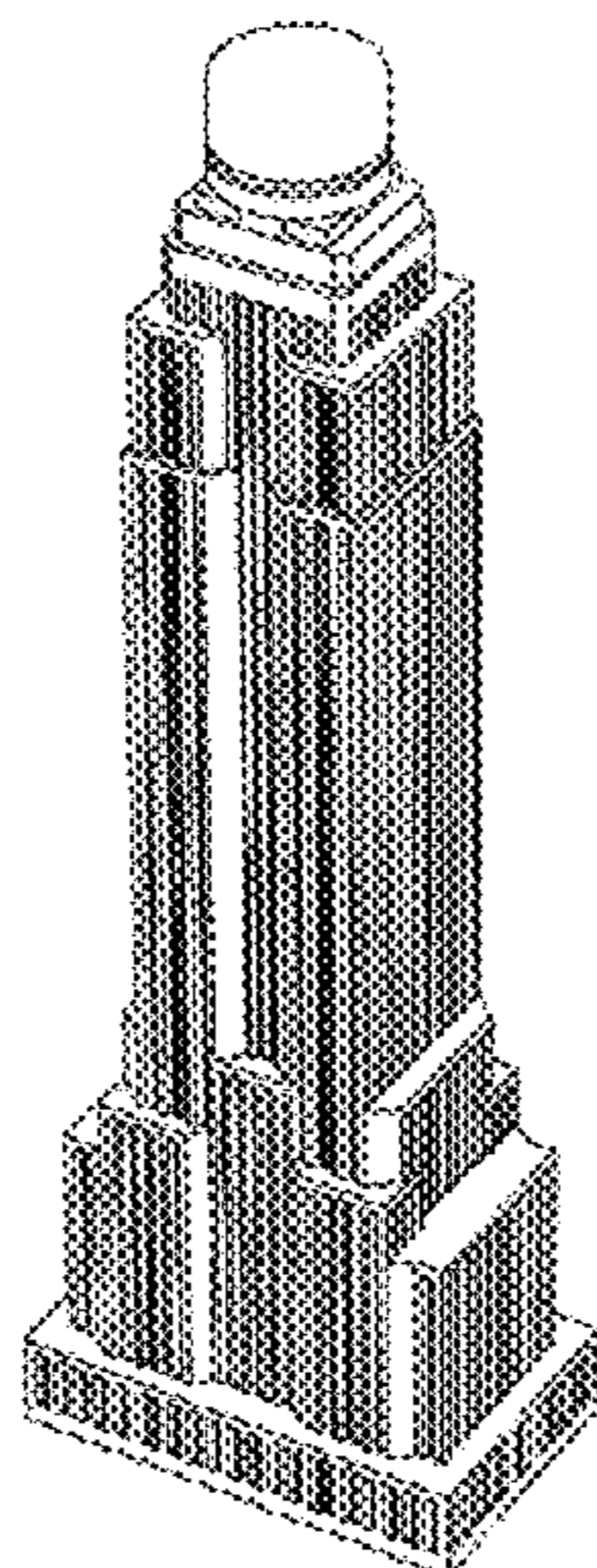
(57) **CLAIM**

The ornamental design for bottle, as shown and described.

**DESCRIPTION**

FIG. 6.1 is a front, top perspective view of the bottle showing our new design;  
FIG. 6.2 is a front and back elevational view of the design in FIG. 6.1;  
FIG. 6.3 is a left and right elevational view of the design of FIG. 6.1; and  
FIG. 6.4 is a top plan view of the design of FIG. 1.  
The front and back elevational views illustrated in FIG. 6.2 are identical. Likewise, the left and right side views illustrated in FIG. 6.3 are identical.

**1 Claim, 4 Drawing Sheets**



(56)

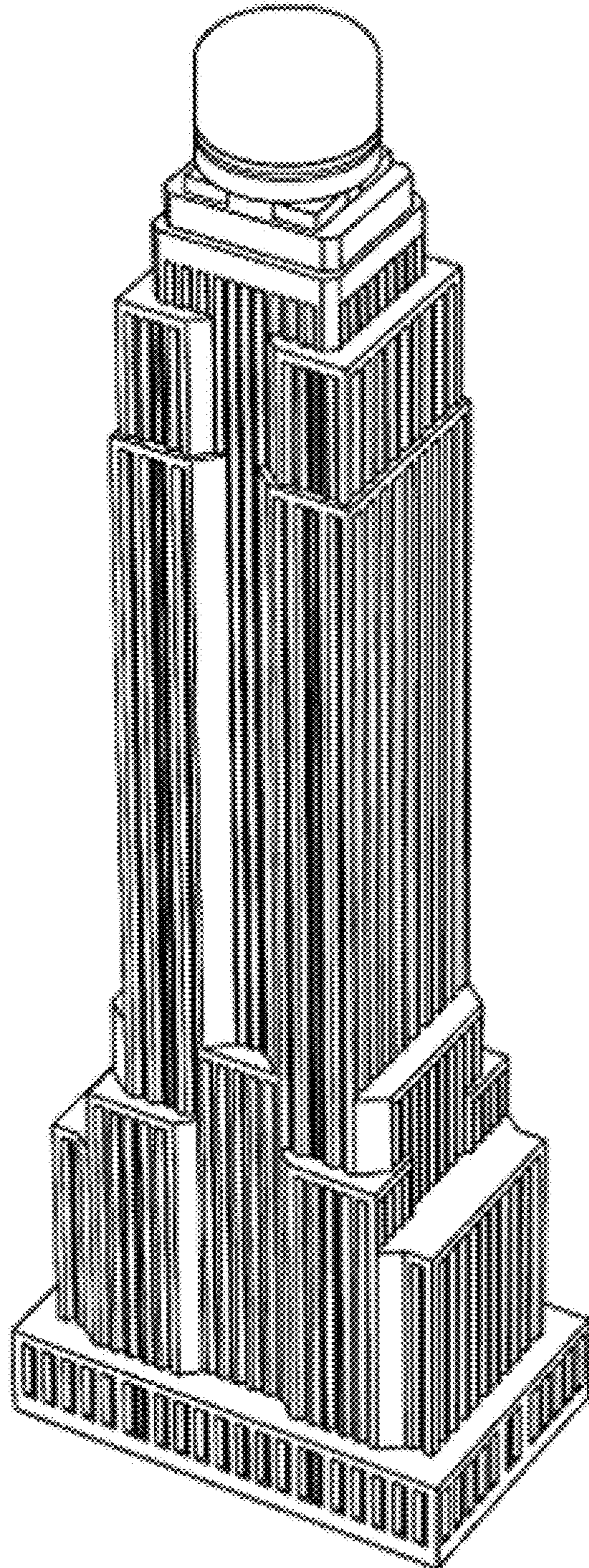
**References Cited**

U.S. PATENT DOCUMENTS

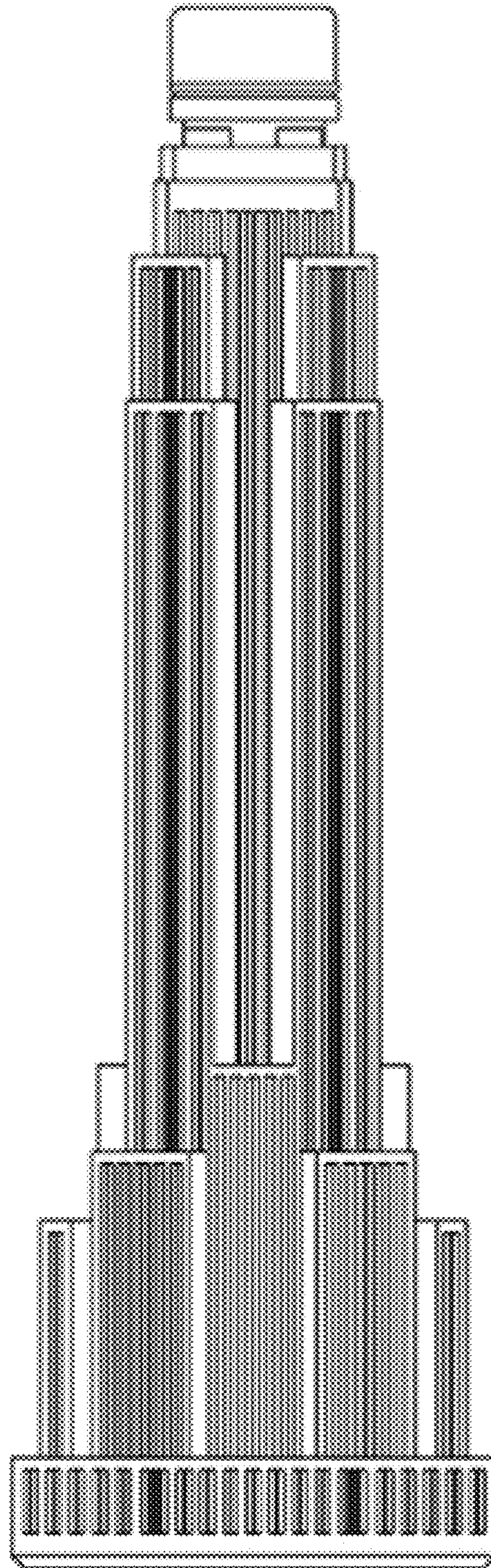
D683,233	S	*	5/2013	Lo	.....	D9/638
D689,140	S	*	9/2013	Lo	.....	D21/451
D691,892	S	*	10/2013	Bramble	.....	D9/638
D696,137	S	*	12/2013	Bulens	.....	D21/510
D778,168	S	*	2/2017	Stewart	.....	D21/510
D814,840	S	*	4/2018	Halioua	.....	D7/301
D815,480	S	*	4/2018	Halioua	.....	D7/301
D828,464	S	*	9/2018	Katopis	.....	D9/636
D836,448	S	*	12/2018	Ackerman	.....	D9/636

\* cited by examiner

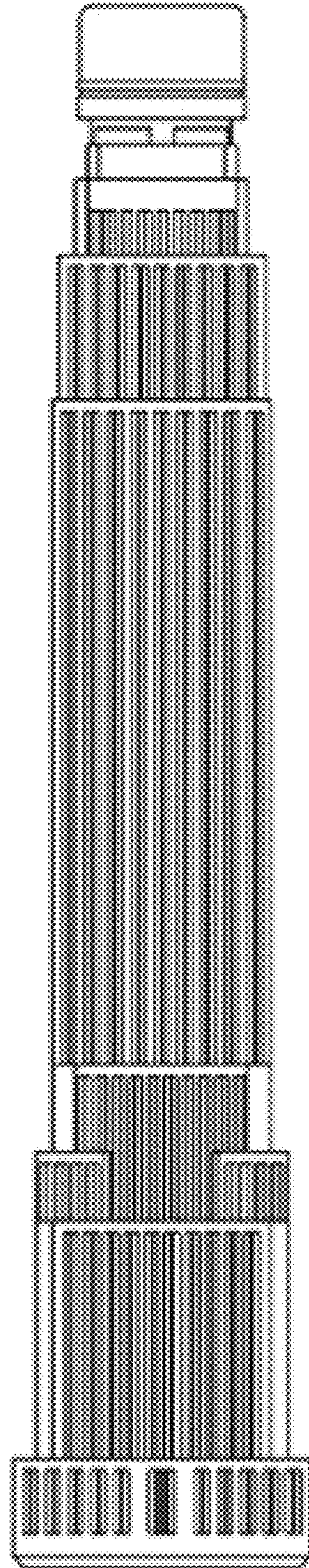
# 6.1



# 6.2



# 6.3



# 6.4

