



US00D858297S

(12) **United States Design Patent** (10) **Patent No.:** **US D858,297 S**
Cortadellas et al. (45) **Date of Patent:** **** Sep. 3, 2019**

(54) **CONTAINER**

(71) Applicant: **PepsiCo, Inc.**, Purchase, NY (US)
(72) Inventors: **Xavi Cortadellas**, Miami, FL (US); **Christopher Michael Hintermeister**, Highland Park, IL (US); **Sean Joseph Huls**, Chicago, IL (US); **Drew Alexander Read Palin**, Kenilworth, IL (US); **Sameer Kirti Talsania**, Chicago, IL (US); **Bruce Joseph Ankenbrandt**, Holland, OH (US); **Tracy Momany**, Sylvania, OH (US); **John Lester Ostby**, Seattle, WA (US); **Alexander Daniel Warren**, Seattle, WA (US)

(73) Assignee: **PepsiCo, Inc.**, Purchase, NY (US)

(**) Term: **15 Years**

(21) Appl. No.: **29/680,412**

(22) Filed: **Feb. 15, 2019**

Related U.S. Application Data

(63) Continuation of application No. 29/609,475, filed on Jun. 30, 2017, now Pat. No. Des. 842,112.

(51) **LOC (12) Cl.** **09-01**

(52) **U.S. Cl.**
USPC **D9/575**; D9/454; D9/520; D9/529;
D9/540; D9/565

(58) **Field of Classification Search**

USPC D9/414, 424, 428, 434-435, 454, 500,
D9/503-504, 516, 519-520, 529, 549,
D9/558, 715; D7/400, 601-602, 608,
D7/612, 615, 629-630; D26/6, 9-11, 22
CPC B65D 1/00; B65D 1/02; B65D 1/0223;
B65D 23/00; B65D 81/00; B65D
2501/00; B65D 2501/0009; B65D 1/0261;
B65D 1/0284

See application file for complete search history.

(56) **References Cited**

U.S. PATENT DOCUMENTS

D192,655 S	4/1962	Sarafan	
D230,470 S	2/1974	Frohn	
D269,148 S *	5/1983	Trkla	D34/39
D272,223 S *	1/1984	Daenen	D7/629
D372,194 S *	7/1996	Dallaire	D9/520
D379,763 S	6/1997	Ewing, Jr.	
D405,372 S *	2/1999	Yucknut	D9/504
D414,112 S	9/1999	Waggaman et al.	
D442,834 S *	5/2001	Perez	D7/628
D445,032 S *	7/2001	Hammer	D9/504
D477,535 S *	7/2003	Thorpe	D28/76

(Continued)

FOREIGN PATENT DOCUMENTS

DE	402010000802-0003	1/2010
FI	9918	9/1986

(Continued)

Primary Examiner — Dana Meyrow

(74) *Attorney, Agent, or Firm* — Sterne, Kessler, Goldstein & Fox P.L.L.C.

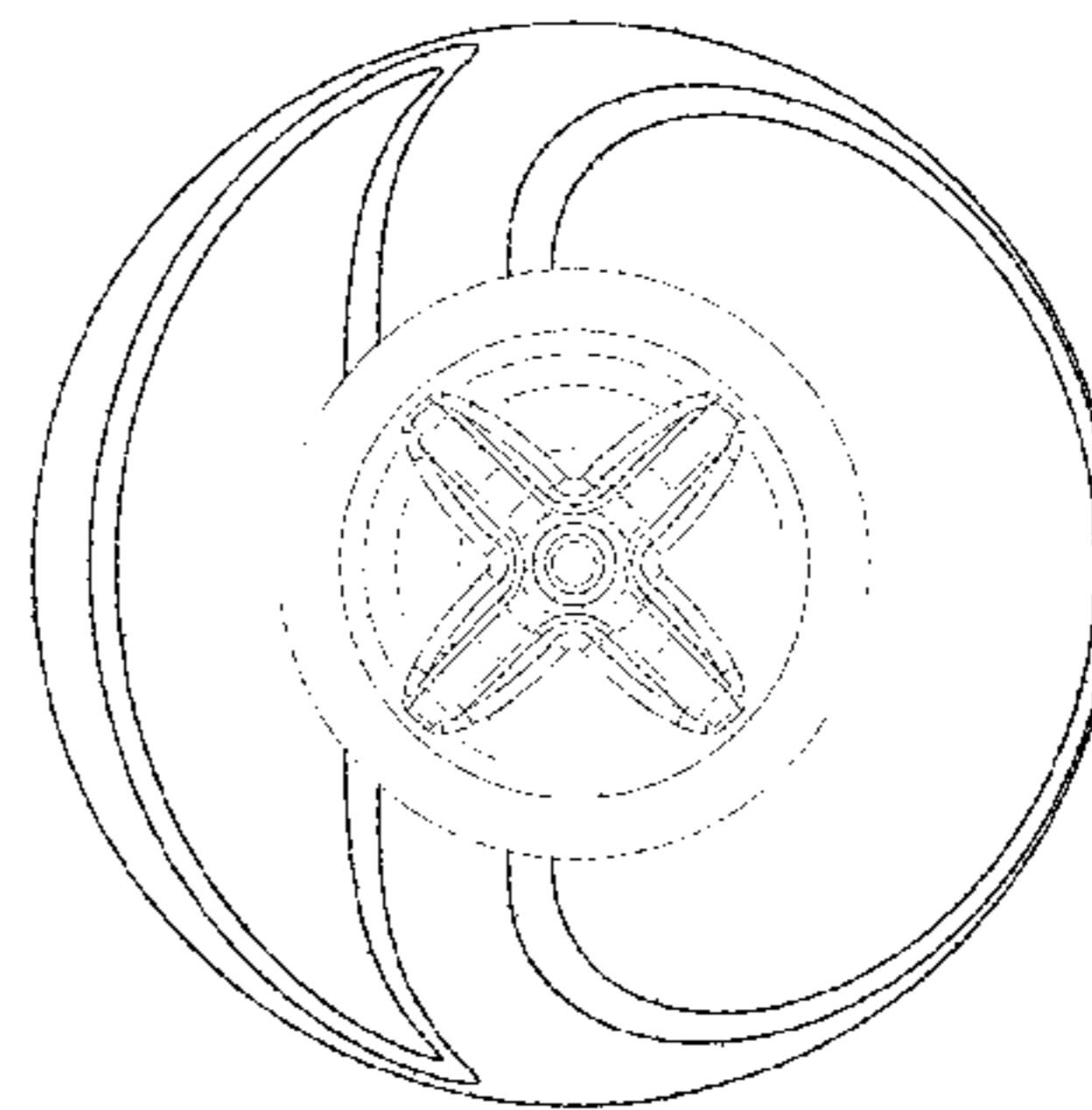
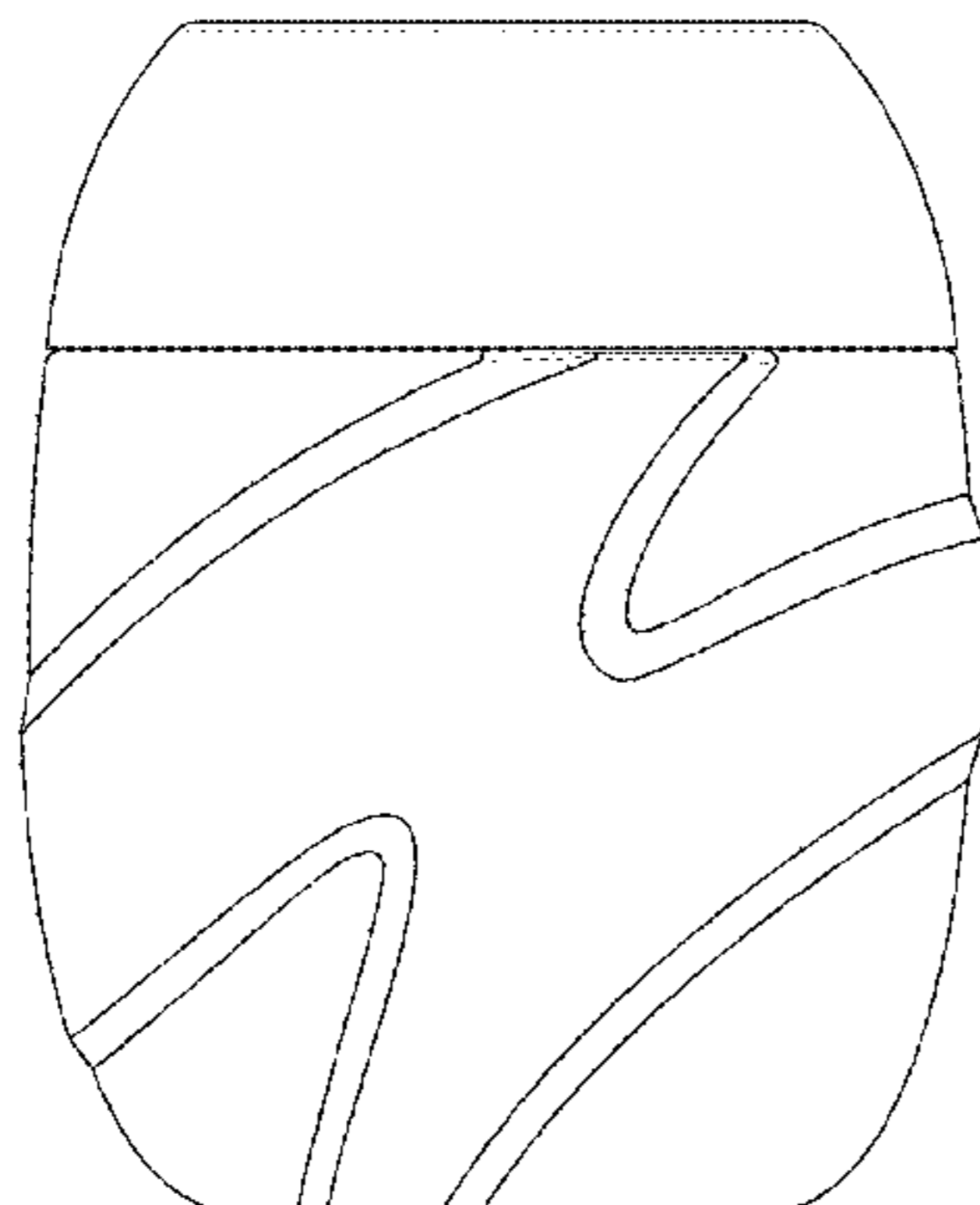
(57) **CLAIM**

The ornamental design for a container, as shown and described.

DESCRIPTION

FIG. 1 is a top front perspective view of a container showing the claimed design;
FIG. 2 is a bottom front perspective view thereof;
FIG. 3 is a front view thereof;
FIG. 4 is a rear view thereof;
FIG. 5 is a left side view thereof;
FIG. 6 is a right side view thereof;
FIG. 7 is a top view thereof; and,
FIG. 8 is a bottom view thereof.

1 Claim, 8 Drawing Sheets



(56)

References Cited

U.S. PATENT DOCUMENTS

D482,794 S 11/2003 Whitley
 D540,170 S * 4/2007 Canamasas Puigbo D9/504
 D542,136 S 5/2007 Lilico
 D548,092 S 8/2007 Klemm
 D551,080 S 9/2007 Pedmo et al.
 D570,217 S 6/2008 Meillerais
 D572,134 S 7/2008 Bourne
 D593,372 S * 6/2009 Carreno D7/608
 D606,410 S 12/2009 Kissinger et al.
 D612,243 S * 3/2010 White D9/516
 D621,708 S * 8/2010 Thomas D9/500
 D623,012 S * 9/2010 White D7/396.2
 D644,927 S * 9/2011 White D9/516
 D644,929 S * 9/2011 White D7/509
 D644,930 S * 9/2011 White D7/509
 D650,677 S 12/2011 Wurster et al.
 D651,906 S * 1/2012 White D7/509
 D652,307 S * 1/2012 White D7/509
 D699,578 S 2/2014 Marina et al.
 D705,068 S 5/2014 Janssen et al.
 D722,503 S 2/2015 Smith et al.
 8,991,628 B2 3/2015 Wurster et al.
 D799,967 S 10/2017 Wade
 D803,060 S * 11/2017 Marina D9/504
 D808,812 S 1/2018 Talsania et al.
 D815,951 S 4/2018 Solovy
 D842,110 S * 3/2019 Marina D9/504
 D842,112 S * 3/2019 Cortadellas D9/516
 D843,220 S * 3/2019 Talsania D9/552

FOREIGN PATENT DOCUMENTS

JP D965582 10/1996
 KR 30-0477693 1/2008

* cited by examiner

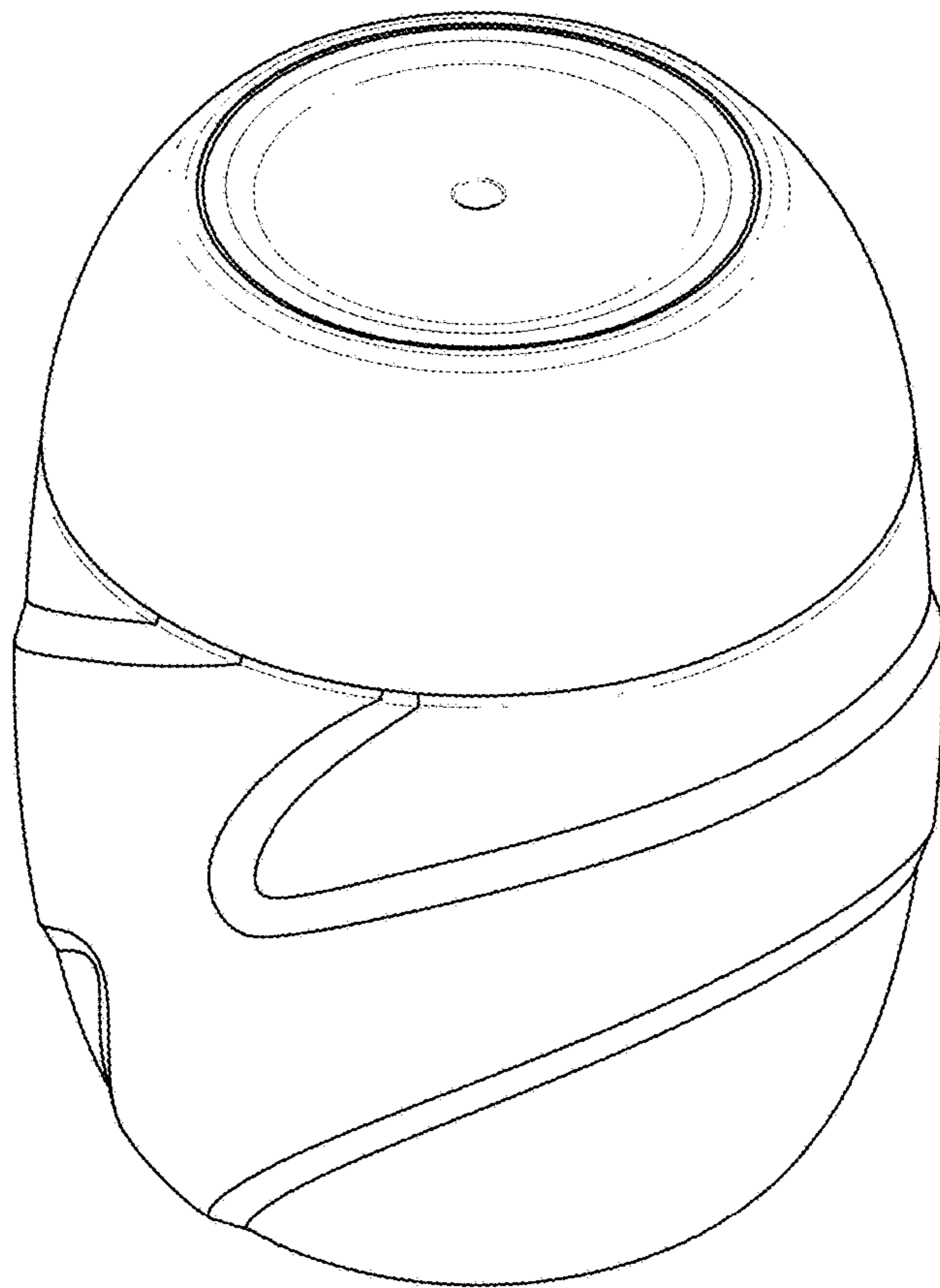


FIG. 1

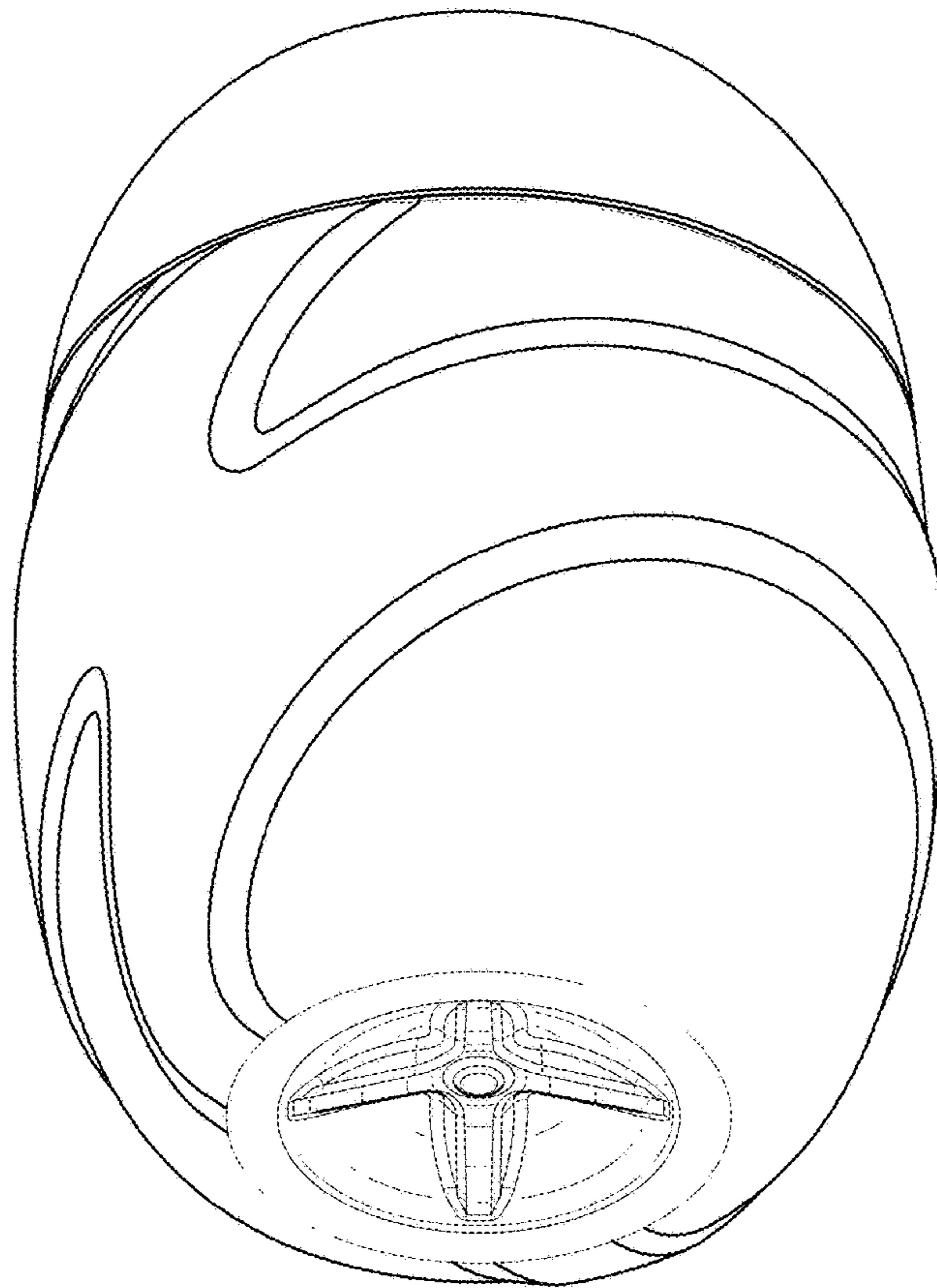


FIG. 2

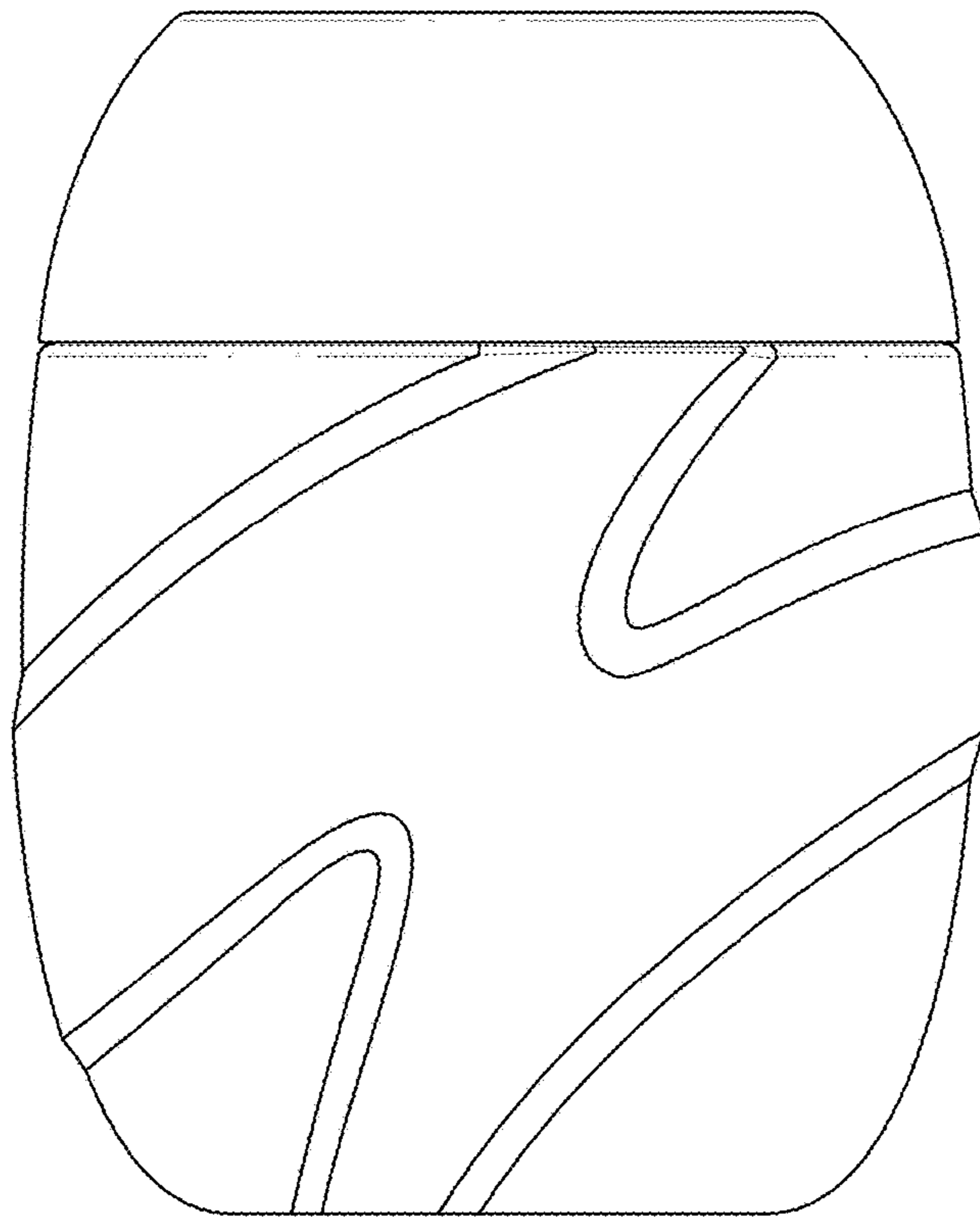


FIG. 3

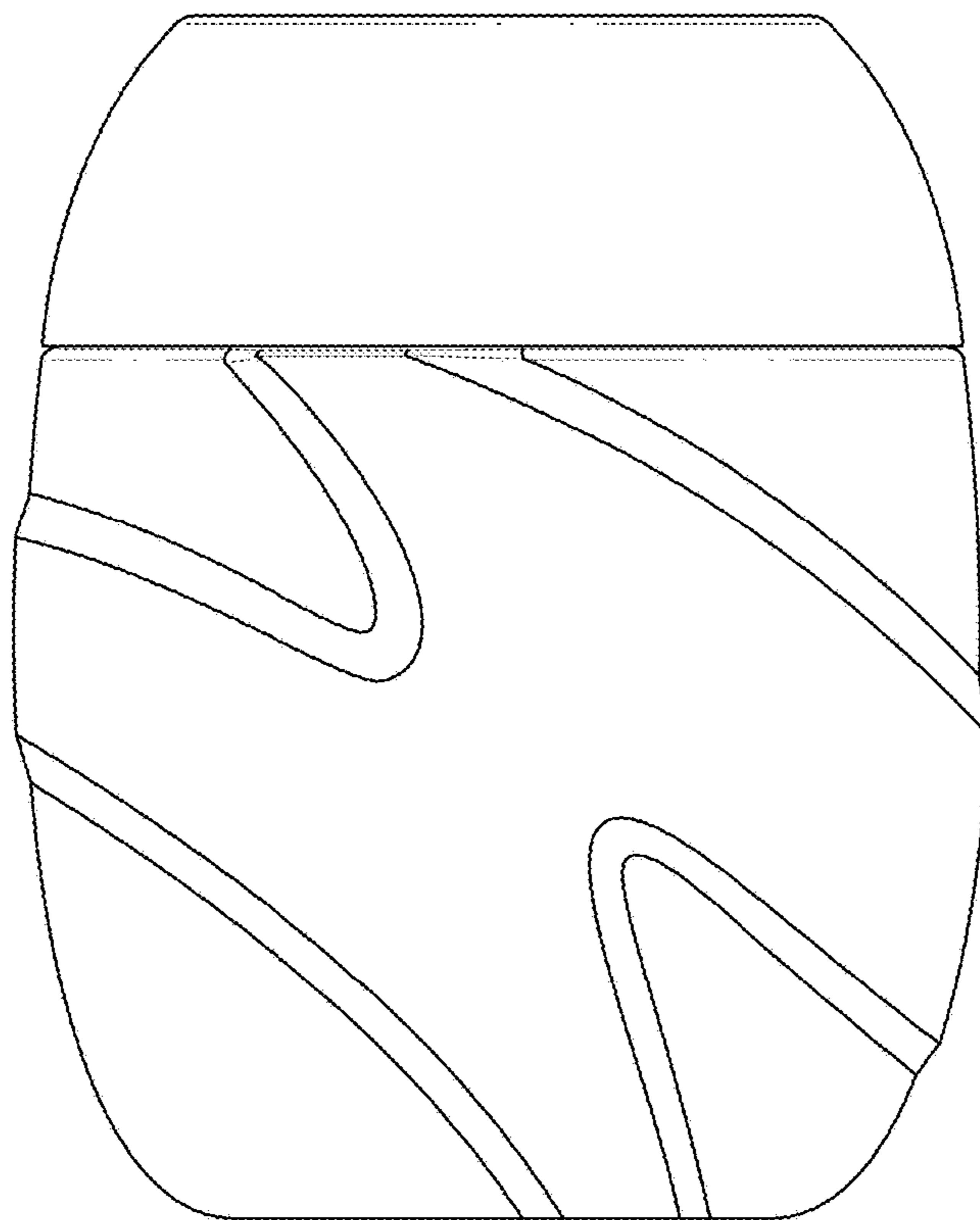


FIG. 4

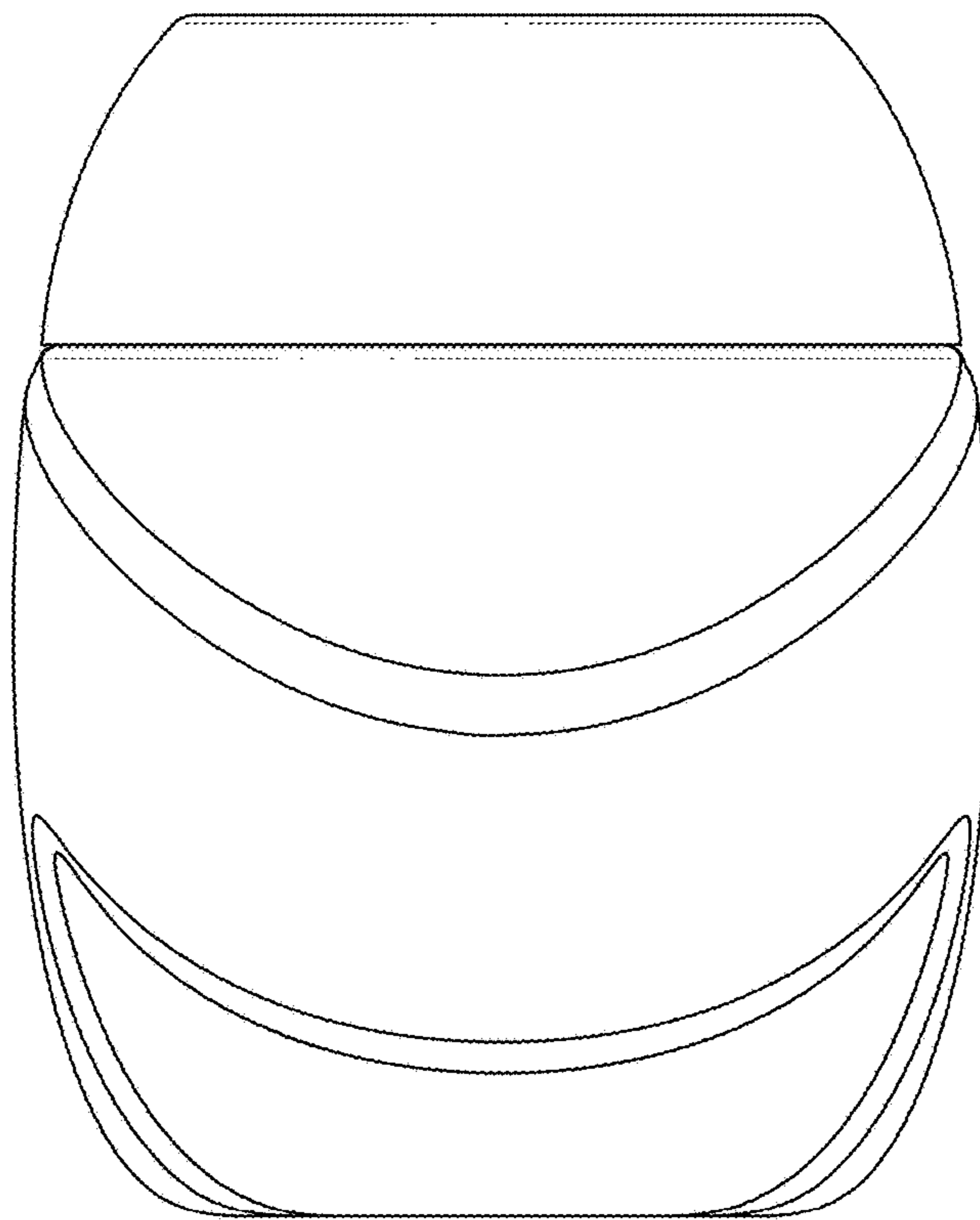


FIG. 5

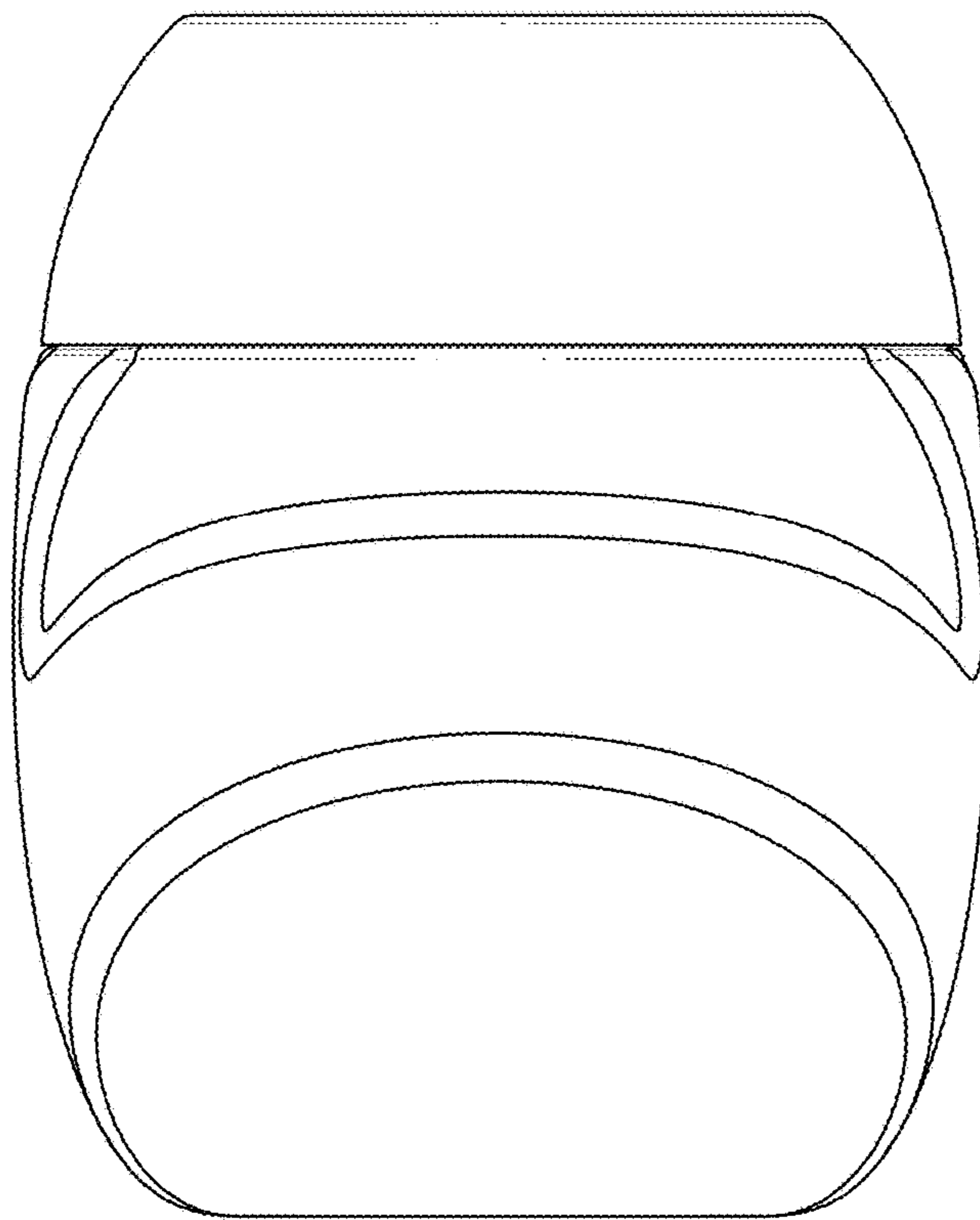


FIG. 6

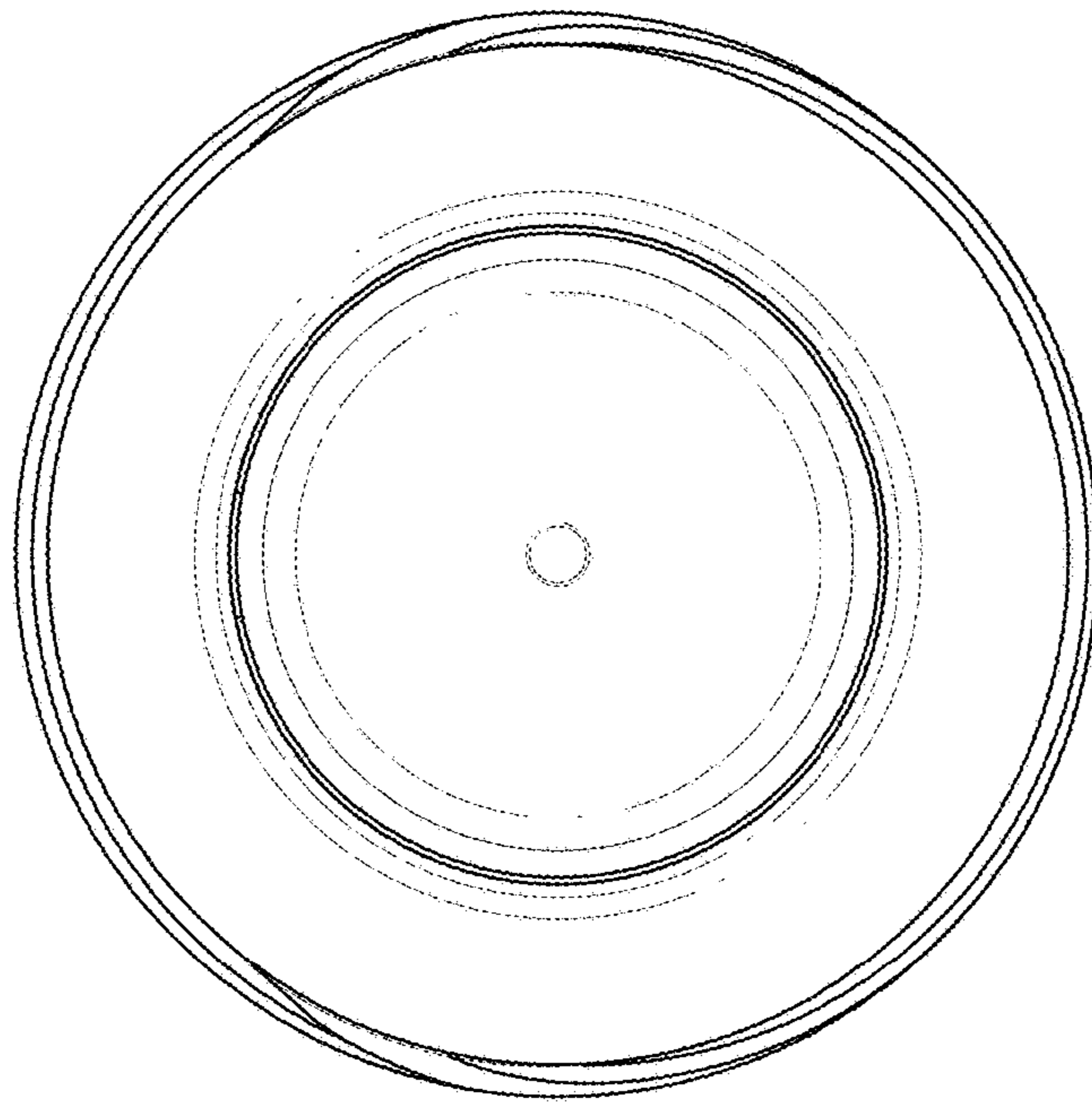


FIG. 7

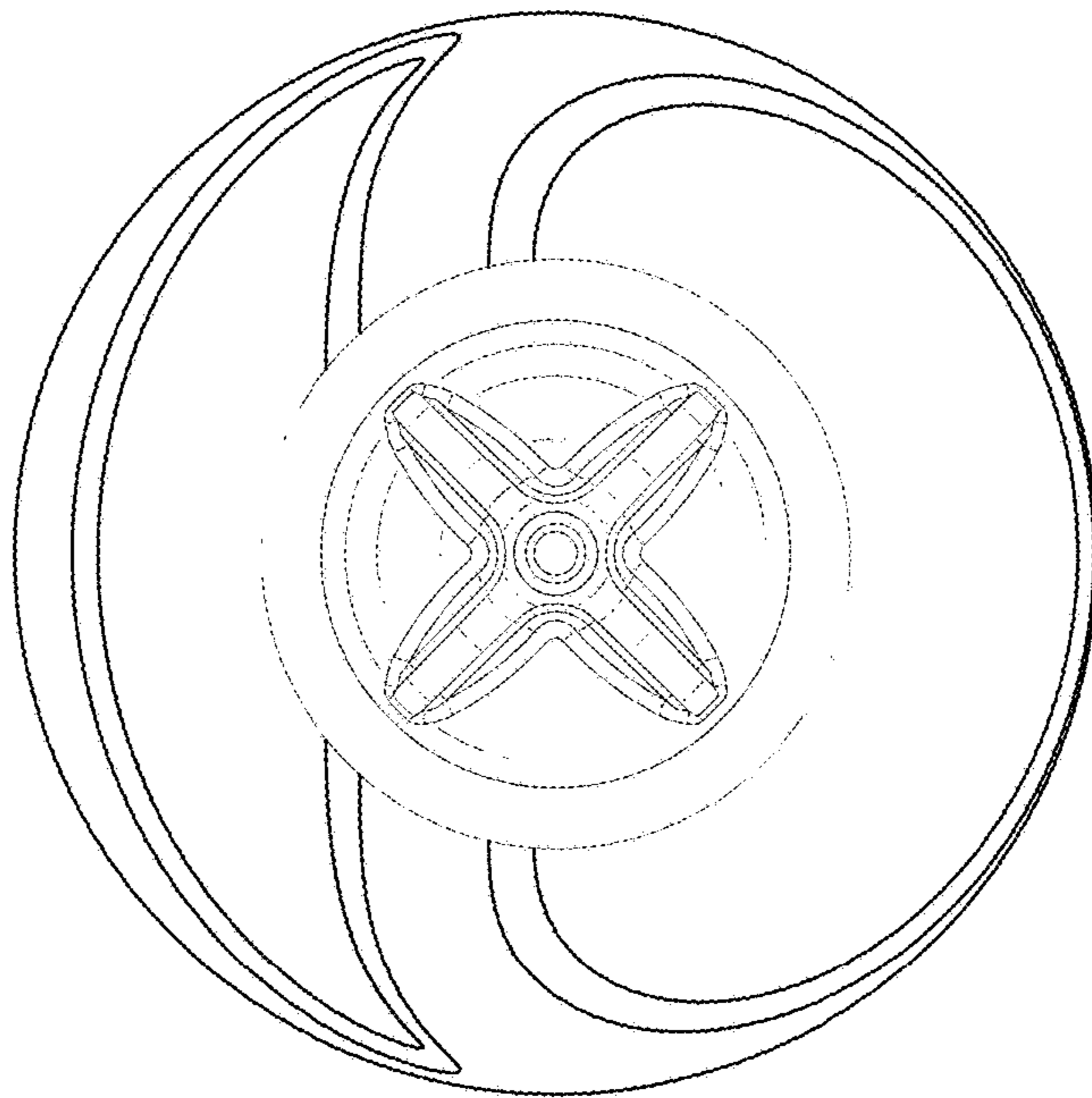


FIG. 8