



US00D858296S

(12) **United States Design Patent**
Shen

(10) **Patent No.:** **US D858,296 S**

(45) **Date of Patent:** **** Sep. 3, 2019**

(54) **BOTTLE**
(71) Applicant: **Min Shen**, Guangdong (CN)
(72) Inventor: **Min Shen**, Guangdong (CN)
(**) Term: **15 Years**
(21) Appl. No.: **29/609,020**
(22) Filed: **Jun. 27, 2017**

5,584,413 A * 12/1996 Jung B65D 1/0292
215/382
D410,364 S * 6/1999 Ramirez D7/507
D450,246 S * 11/2001 Heisel D9/530
D453,109 S * 1/2002 Piquet D9/451
7,028,843 B2 * 4/2006 Byun A45D 33/025
132/293
D598,770 S * 8/2009 Delfino, Jr. D23/366
D616,705 S * 6/2010 DuBois D7/510
D805,308 S * 12/2017 Chitayat D4/116
2017/0320611 A1 * 11/2017 Shen A45F 3/20

(51) **LOC (12) Cl.** **09-01**
(52) **U.S. Cl.**
USPC **D9/556**
(58) **Field of Classification Search**
USPC D7/300–322, 391–396.2, 509–511, 523,
D7/589, 598, 612, 615, 619.1; D9/435,
D9/436, 439, 440, 443, 447, 454, 500,
D9/503–505, 516–575, 763–783;
215/40–55, 316–354, 370–385;
220/574–575; D4/116; D6/515–519,
D6/542–545; D28/7, 57, 73, 76–91.1
CPC B65D 1/00; B65D 1/02; B65D 1/0223;
B65D 1/023; B65D 1/0276; B65D 1/0292
See application file for complete search history.

OTHER PUBLICATIONS

“Resubale and Collapsible Water Bottle . . .” demilked.com. Avail-
able May 11, 2015. Accessed Nov. 21, 2018. Available online via
Internet Archive Wayback Machine at URL: <<https://web.archive.org/web/20150513204946/https://www.demilked.com/reusable-foldable-water-bottle-hydayaway-niki-singlaub/>> (Year: 2015).*

* cited by examiner

Primary Examiner — Cathron C Brooks
Assistant Examiner — Christian P. McLean

(57) **CLAIM**

The ornamental design for a bottle, as shown.

DESCRIPTION

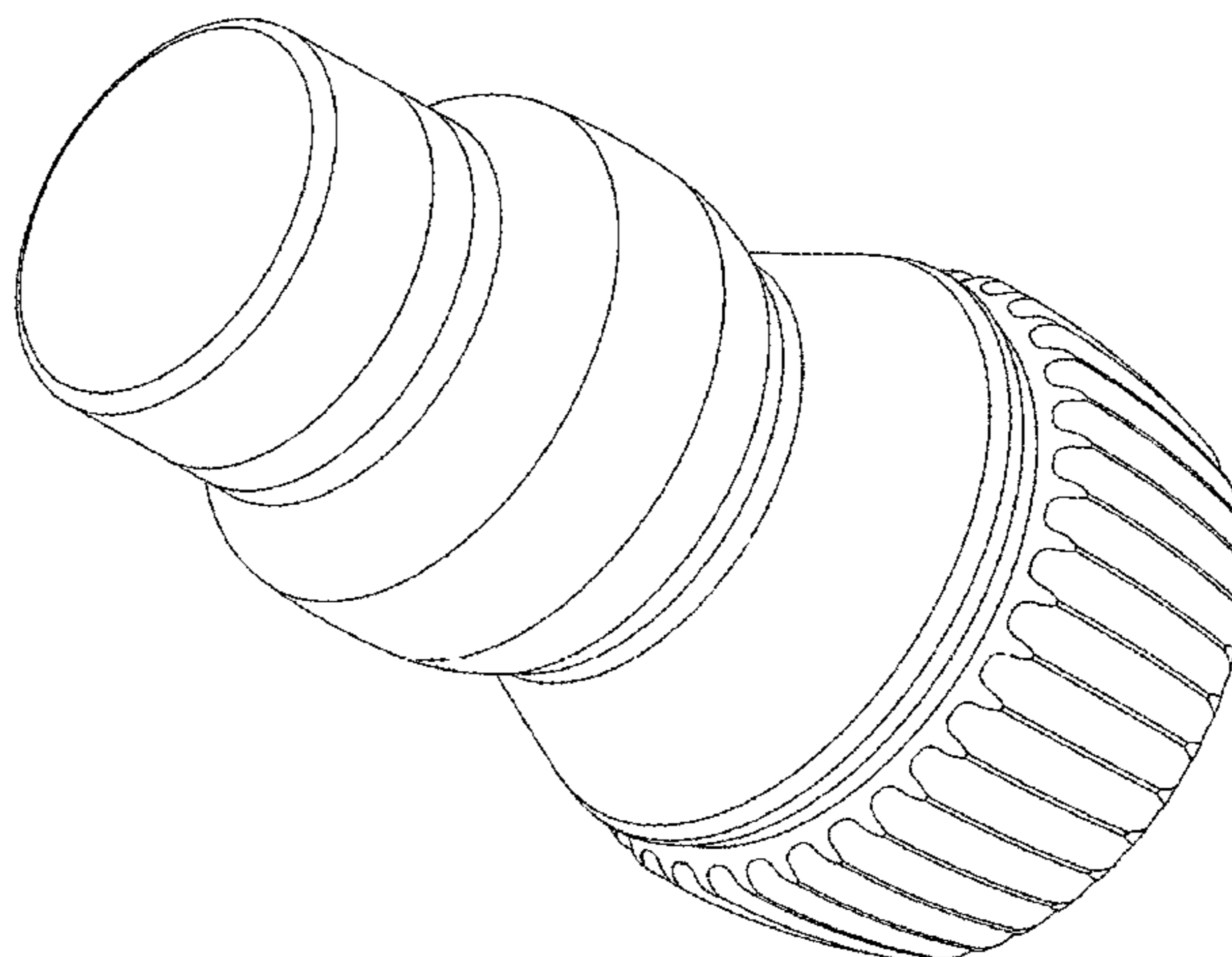
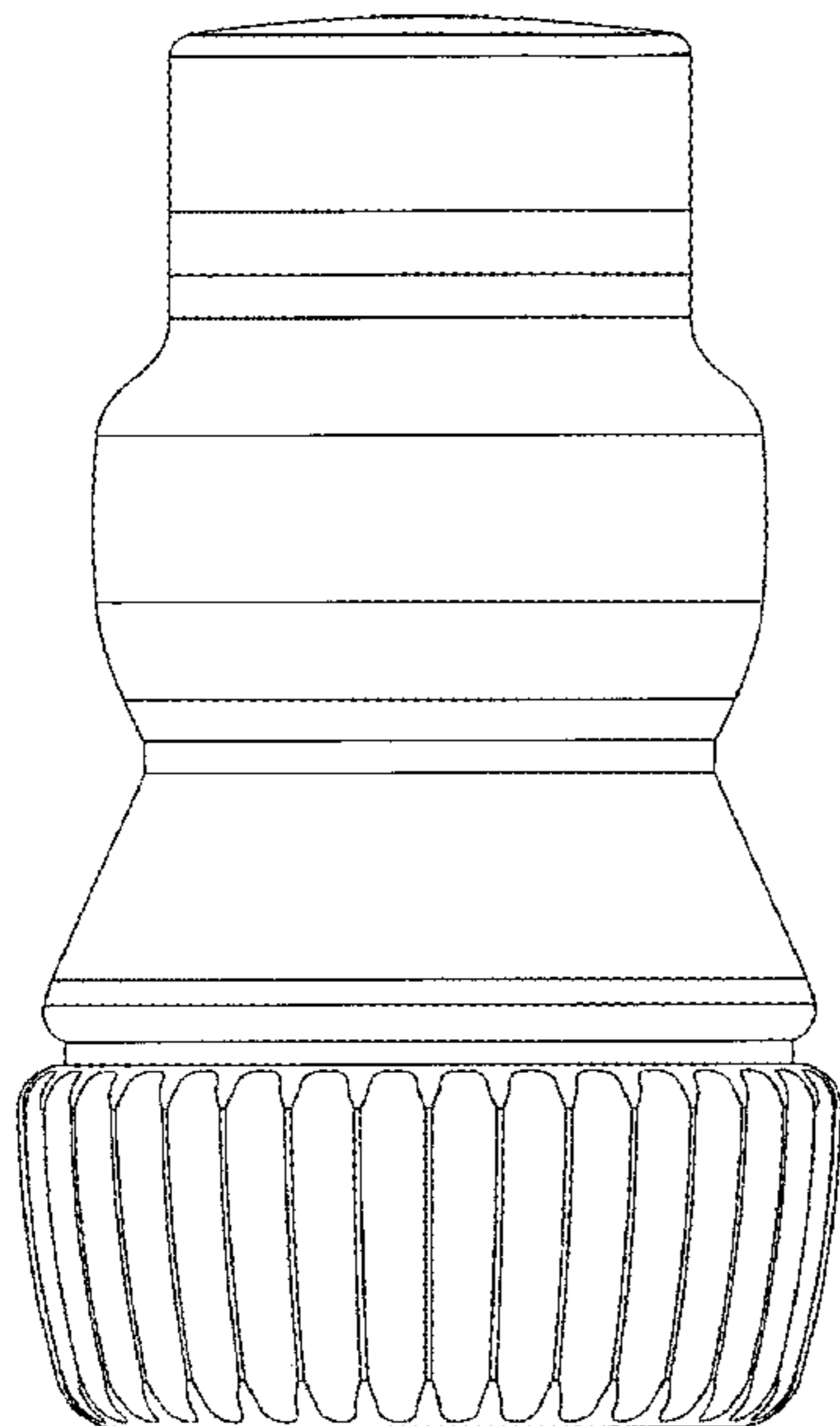
FIG. 1 is a front elevational view of a bottle showing my
new design;
FIG. 2 is a rear elevational view thereof;
FIG. 3 is a left side view thereof;
FIG. 4 is a right side view thereof;
FIG. 5 is a top plan view thereof;
FIG. 6 is a bottom plan view thereof;
FIG. 7 is a perspective view thereof; and,
FIG. 8 is another perspective view thereof.

1 Claim, 7 Drawing Sheets

(56) **References Cited**

U.S. PATENT DOCUMENTS

D87,302 S * 7/1932 Fuerst D9/556
D112,191 S * 11/1938 Bireley D9/539
2,242,947 A * 5/1941 Griffis A47L 23/05
15/209.1
D216,361 S * 12/1969 Pappas, Jr. D9/538
D240,113 S * 6/1976 Conrad D9/556
D322,224 S * 12/1991 Miner D7/511
D332,893 S * 2/1993 Patterson D7/510
5,348,173 A * 9/1994 Norwood B65D 1/0292
206/509



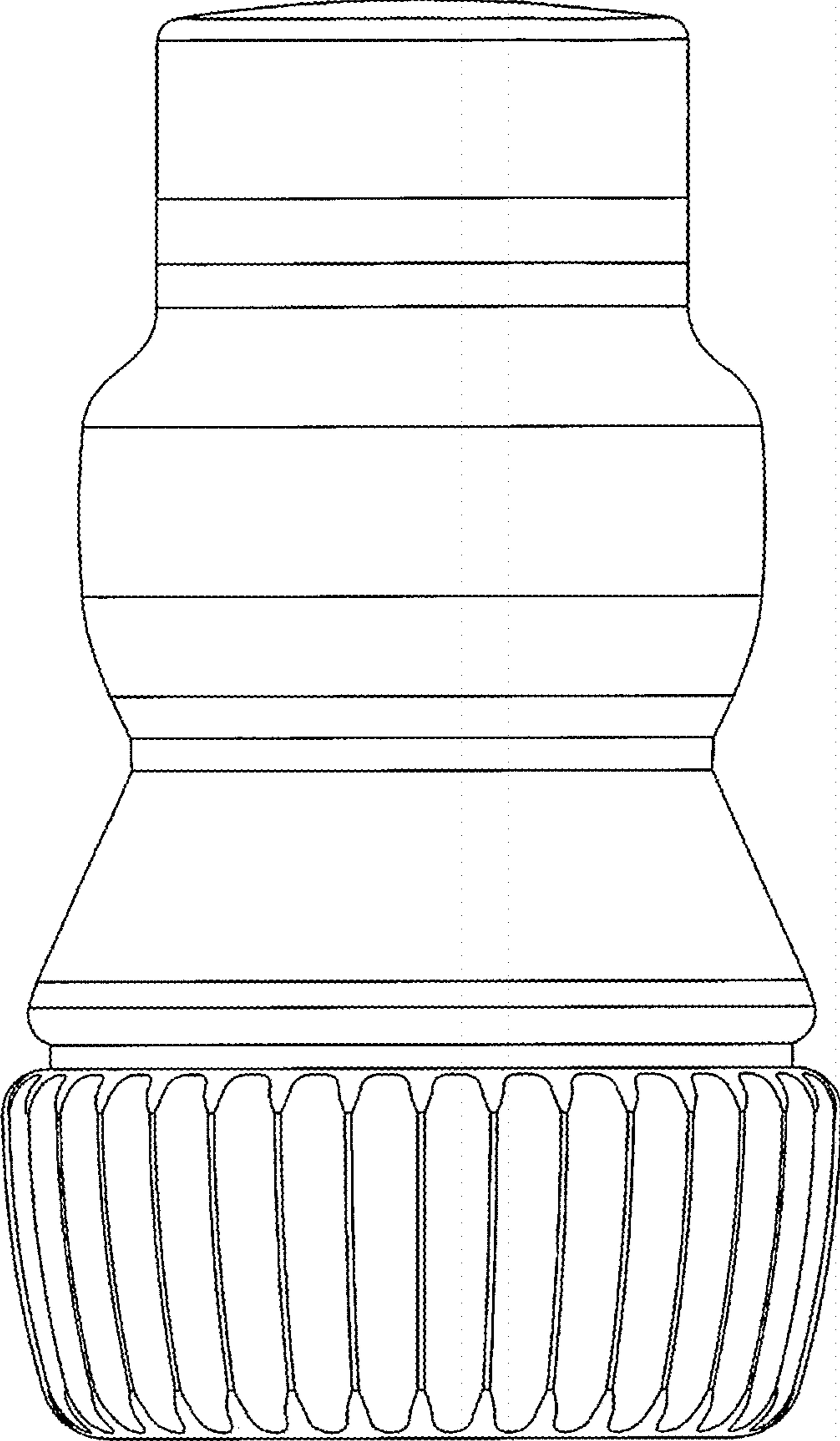


FIG. 1

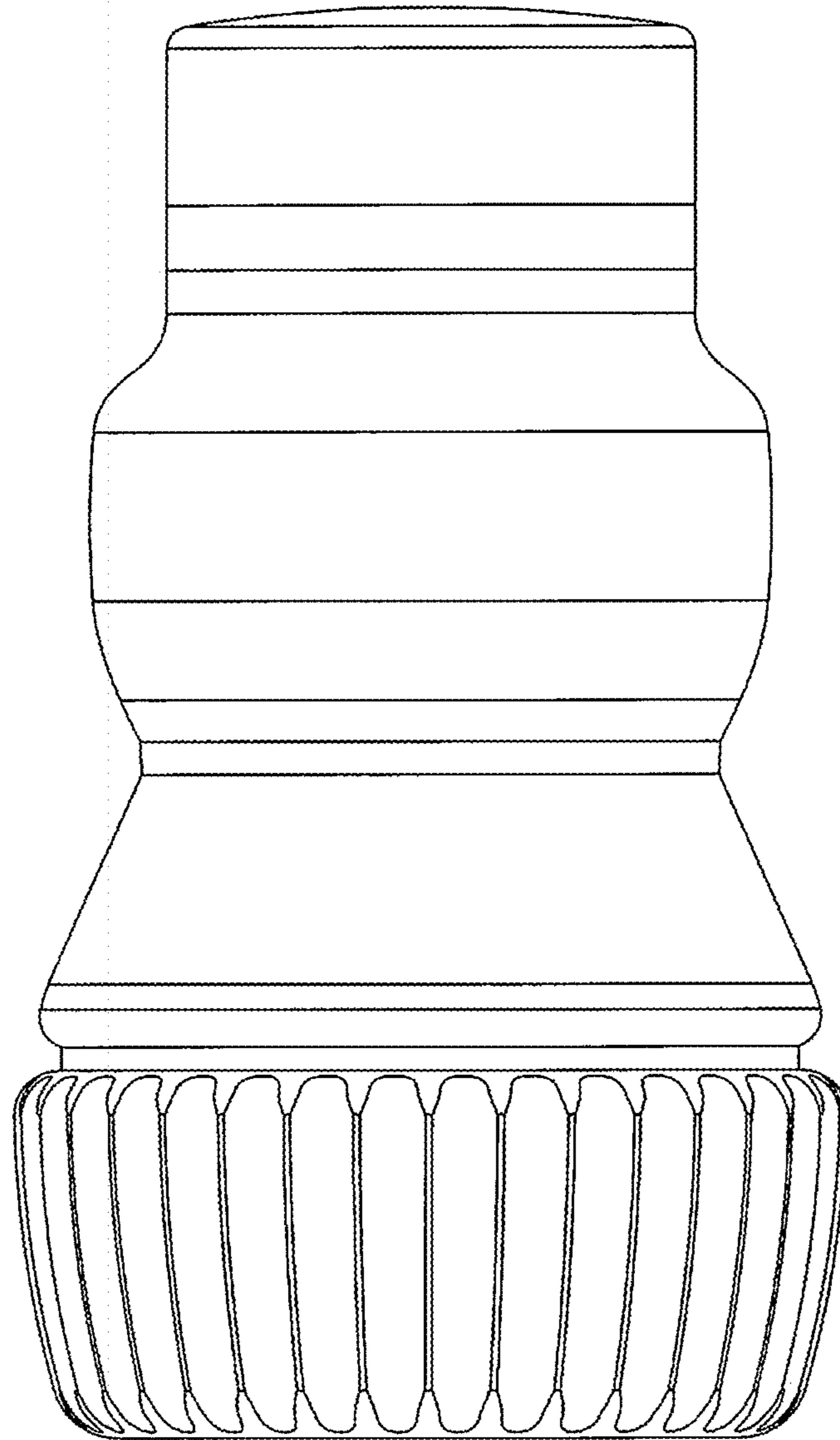


FIG. 2

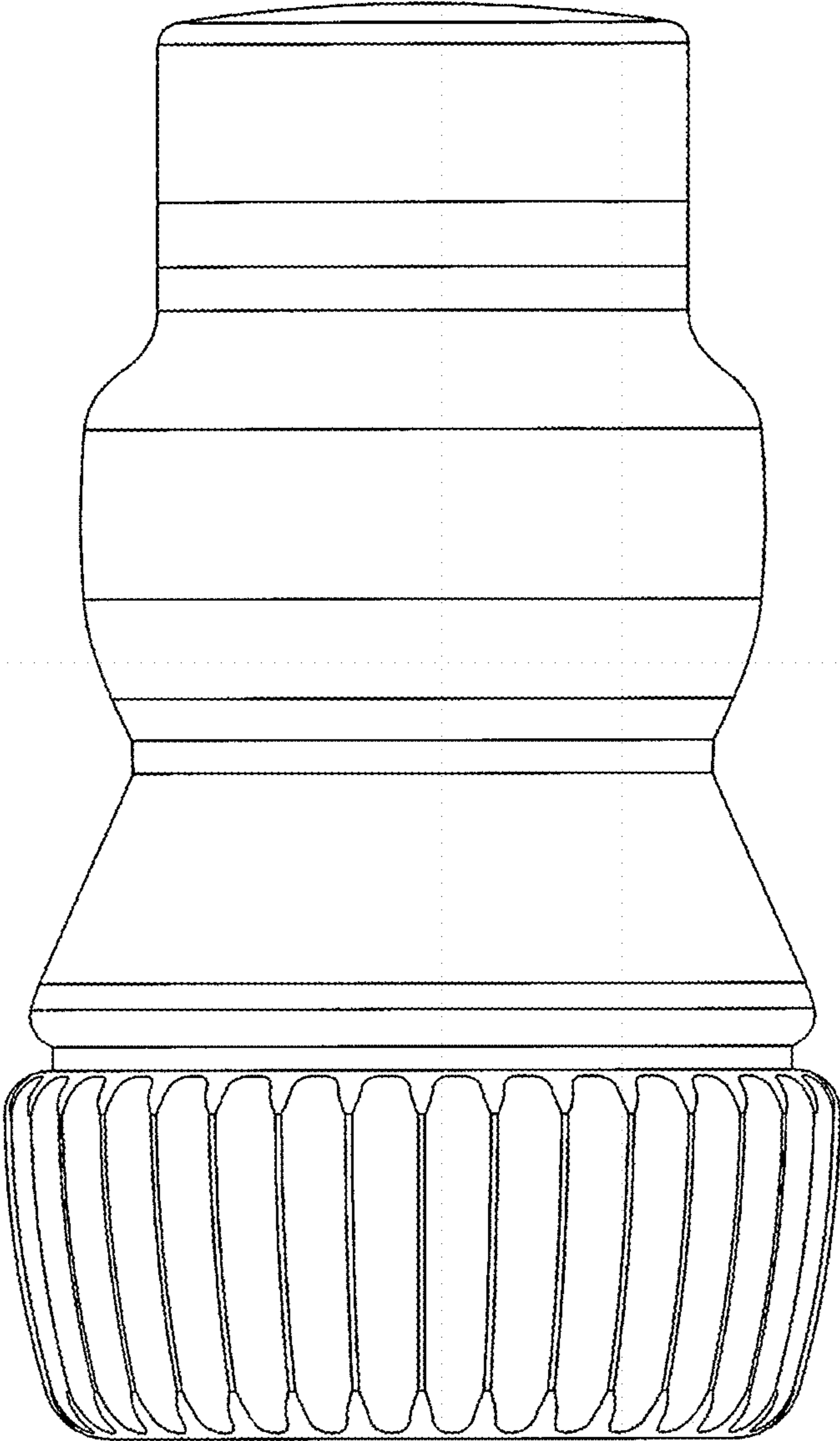


FIG. 3

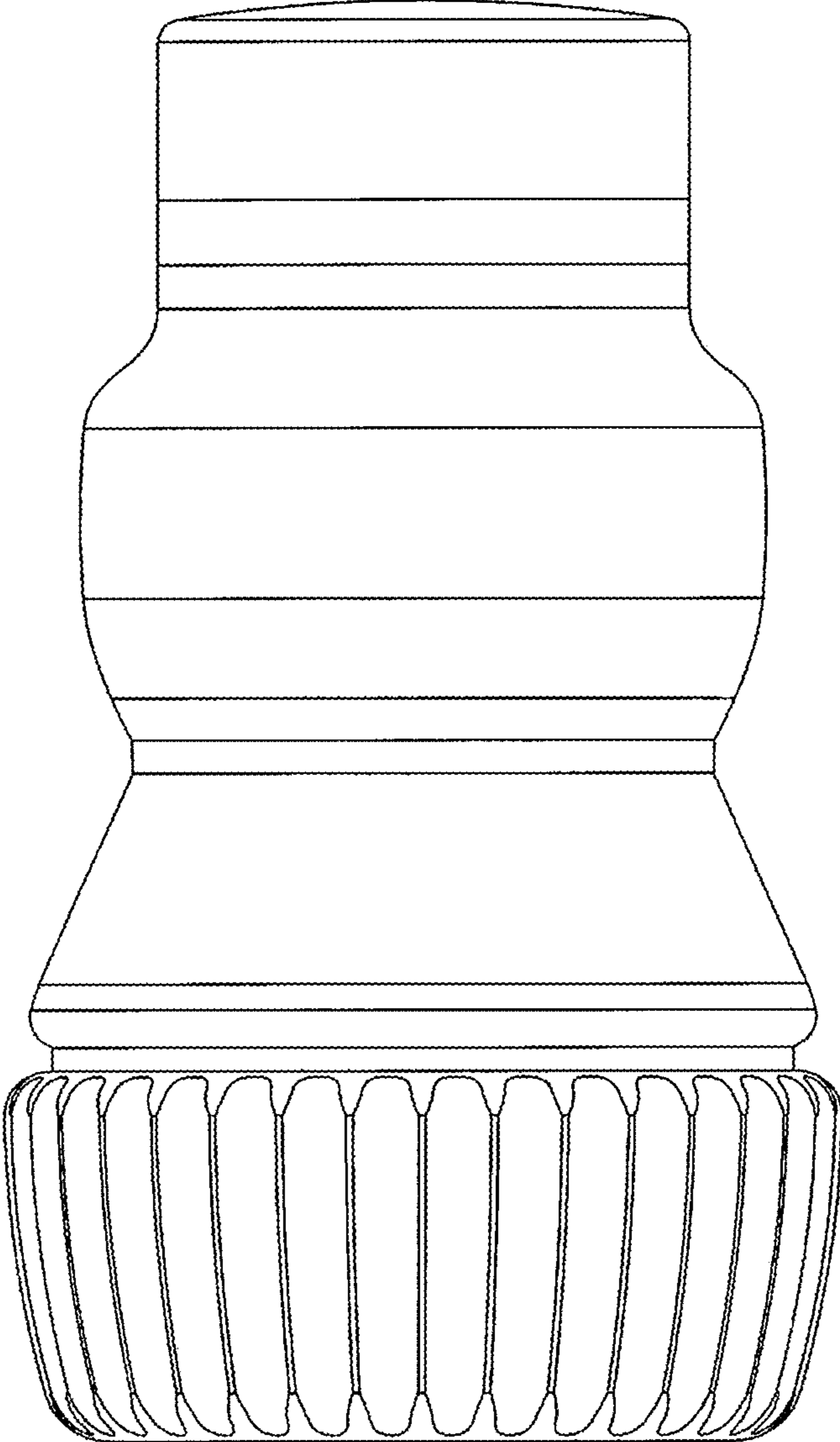


FIG. 4

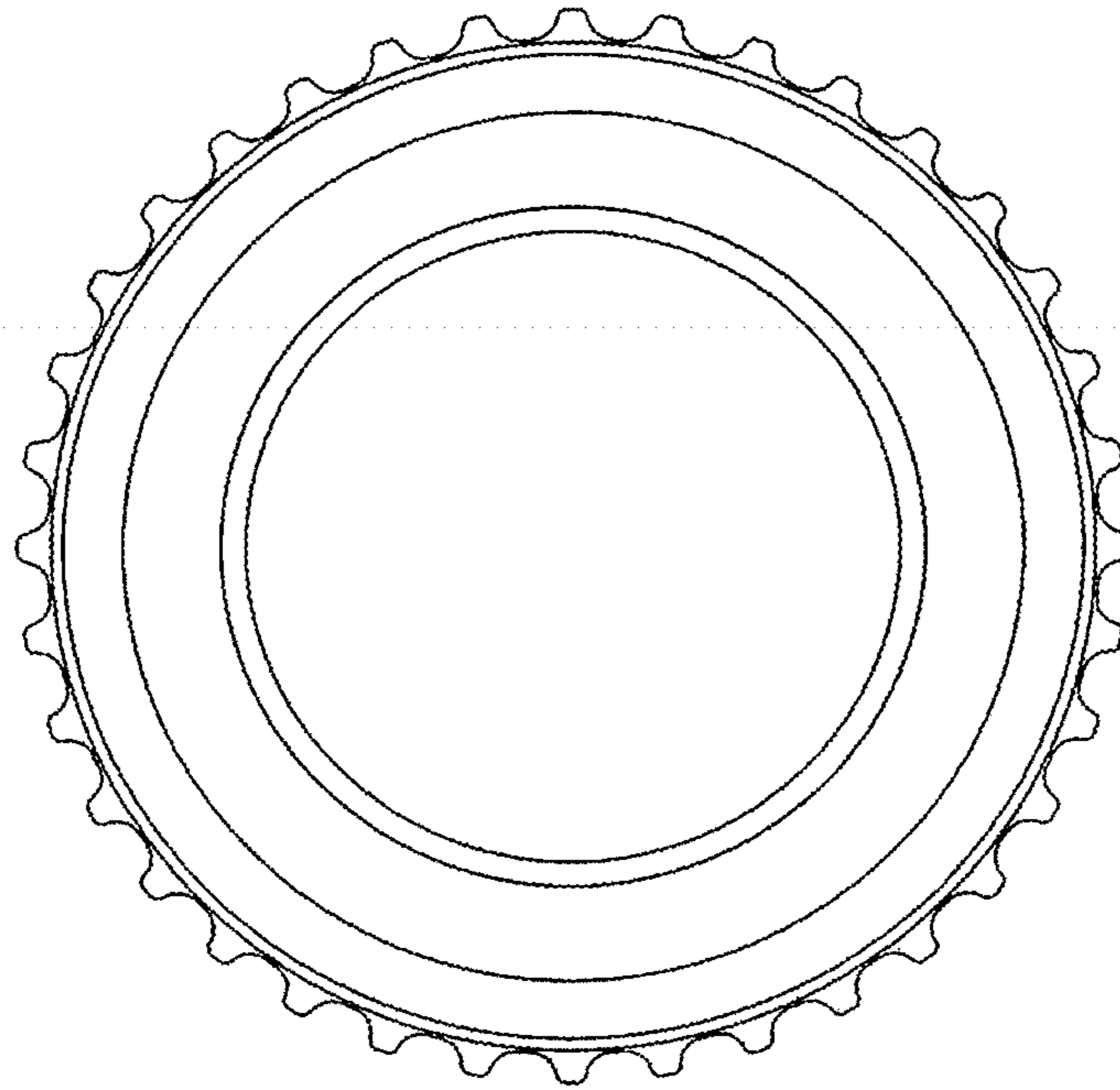


FIG. 5

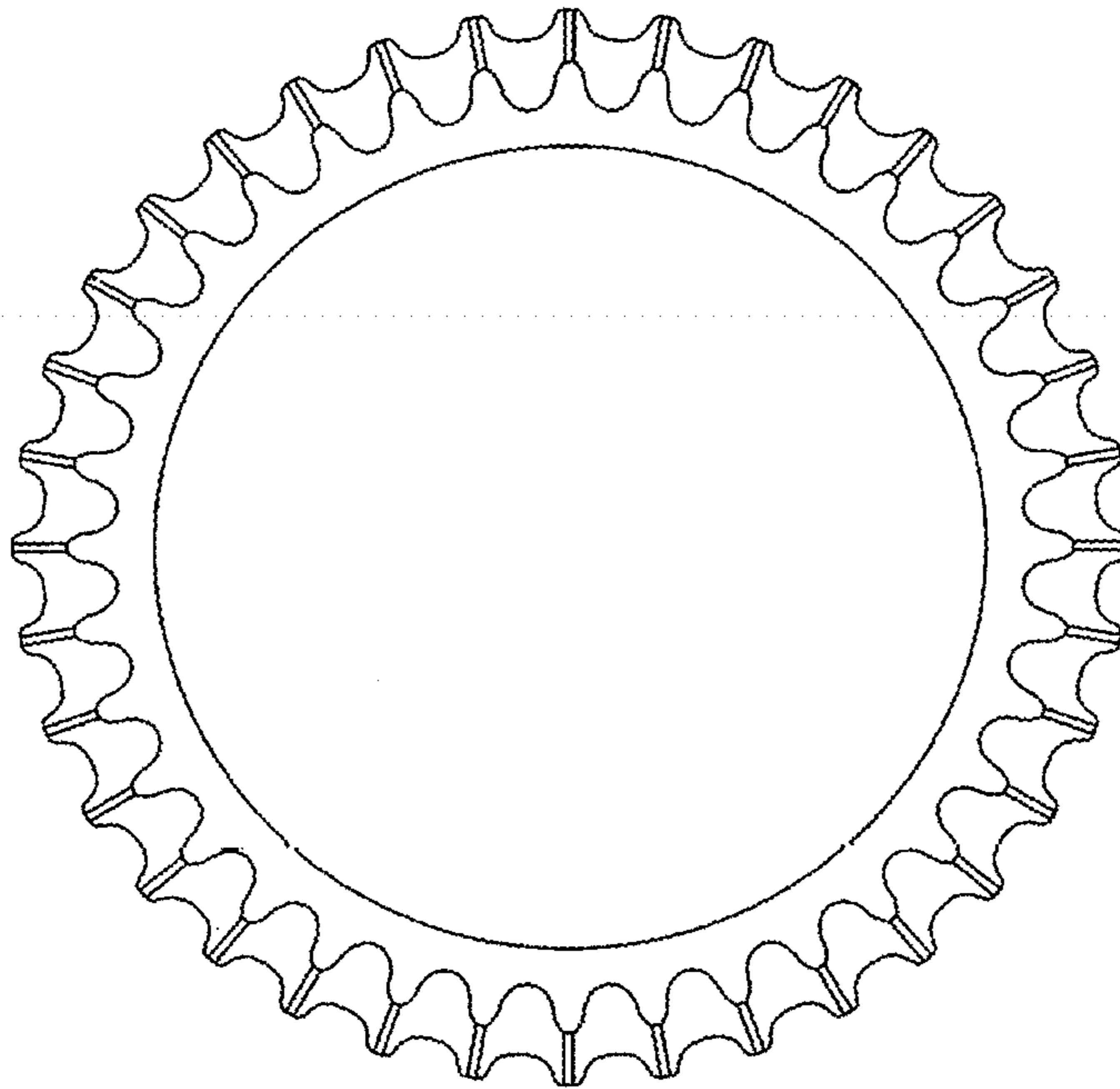


FIG. 6

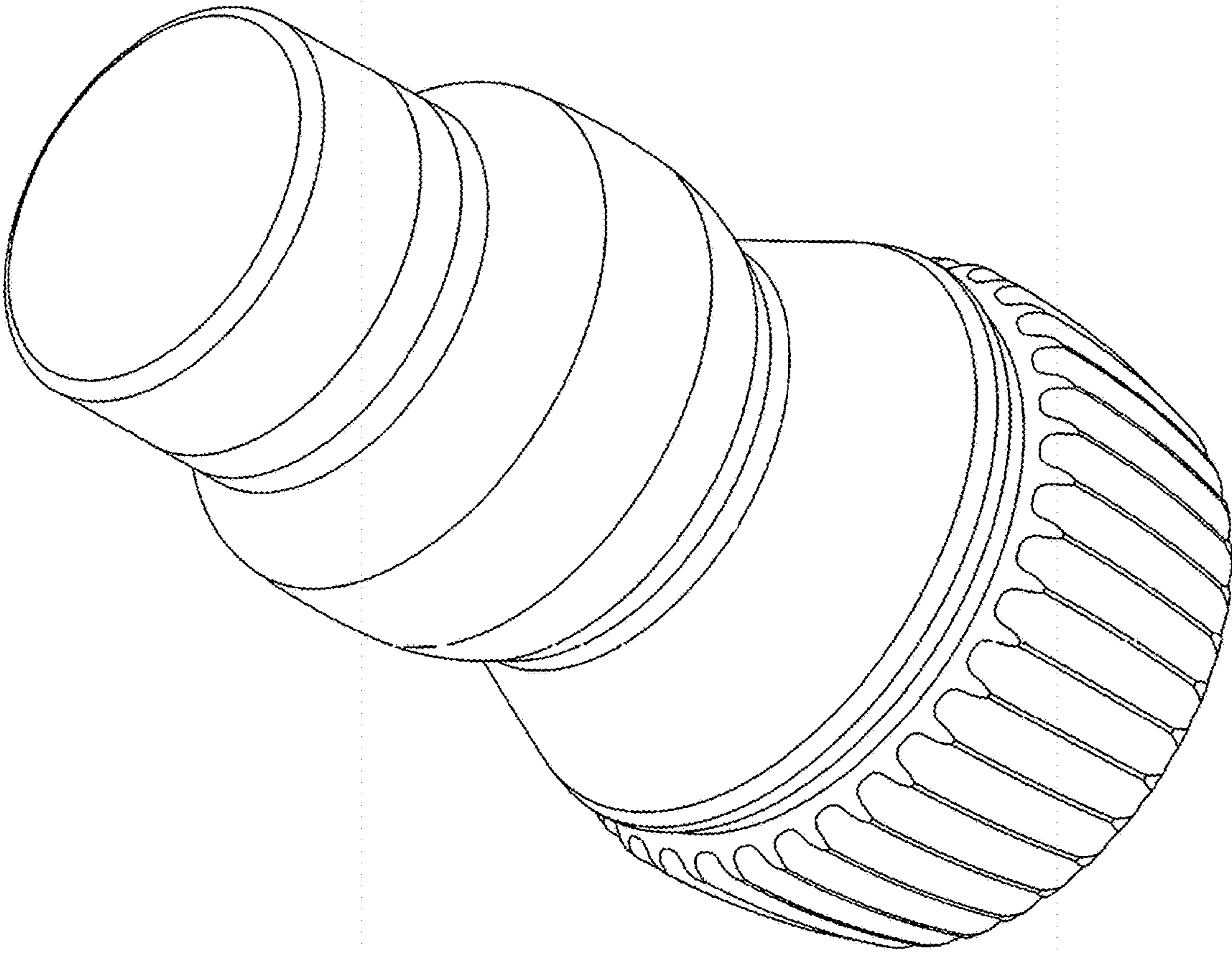


FIG. 7

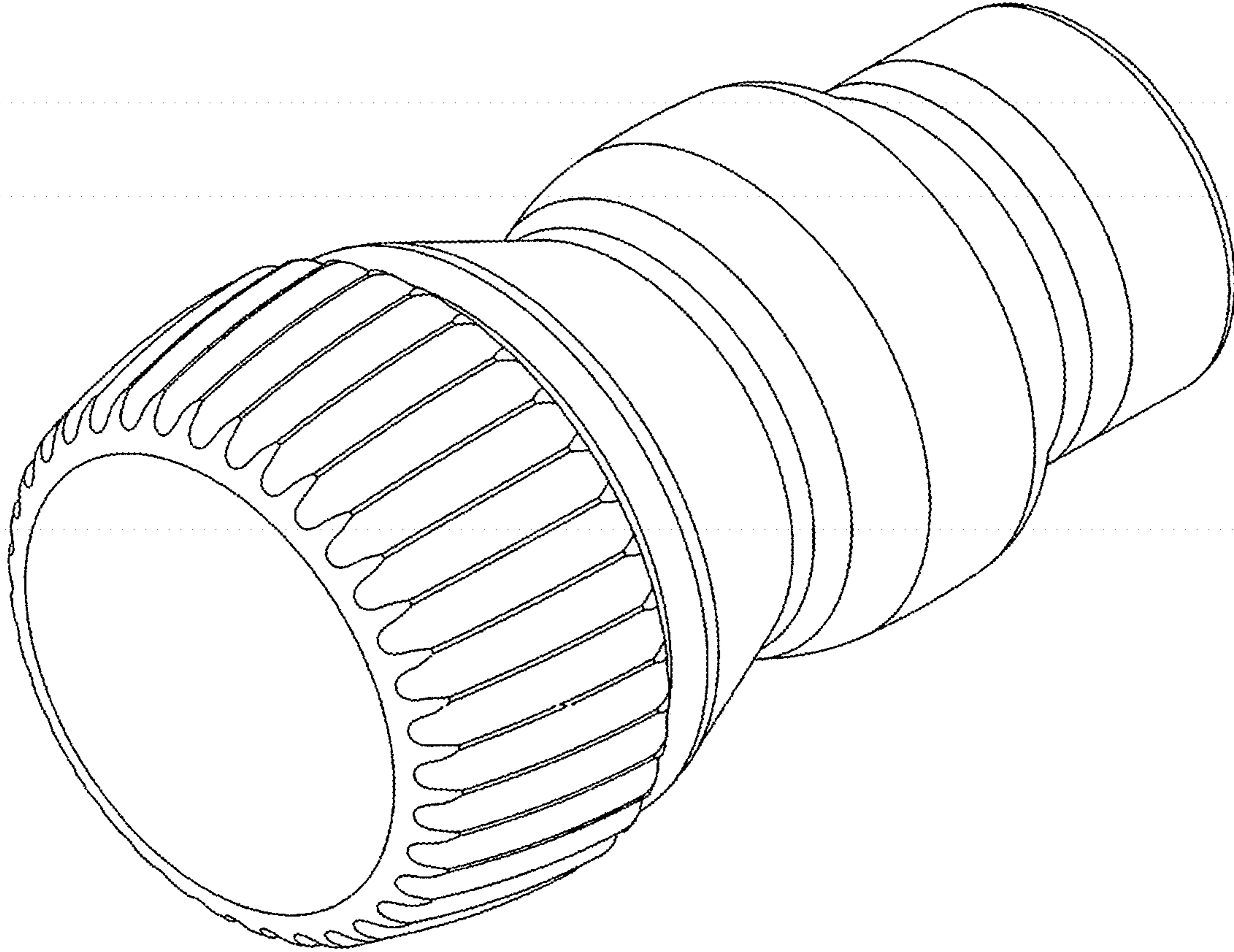


FIG. 8