



US00D858295S

(12) **United States Design Patent** (10) **Patent No.:** **US D858,295 S**
Murphy (45) **Date of Patent:** **** Sep. 3, 2019**

(54) **BOTTLE**

(71) Applicant: **H.J. Heinz Company Brands LLC**,
Pittsburgh, PA (US)

(72) Inventor: **Catherine Emma Murphy**, Singapore
(SG)

(73) Assignee: **H.J. Heinx Company Brands LLC**,
Pittsburgh, PA (US)

(**) Term: **15 Years**

(21) Appl. No.: **29/609,298**

(22) Filed: **Jun. 29, 2017**

(51) **LOC (12) Cl.** **09-01**

(52) **U.S. Cl.**
USPC **D9/550**

(58) **Field of Classification Search**
USPC D9/522, 530, 531, 543, 549, 558, 564,
D9/565, 569, 572, 573; 215/40, 44, 200,
215/381-384, 396; 220/288, 662, 669,
220/675, 752, 755, 771; 222/189, 209;
426/115
CPC B65D 1/02; B65D 1/0223; B65D 1/0246;
B65D 5/46; B65D 41/00; B65D 41/02;
B65D 41/04; B65D 2501/00; B65D
2501/0009

See application file for complete search history.

(56) **References Cited**

U.S. PATENT DOCUMENTS

D434,985 S * 12/2000 Colonna D9/500
D555,488 S * 11/2007 Marton D9/544

D591,596 S * 5/2009 Rica D9/500
D594,748 S * 6/2009 Herb D9/500
D619,900 S * 7/2010 Rica D9/574
D655,178 S * 3/2012 Gonzalez Rodriguez D9/545
D688,948 S * 9/2013 Gonzalez Rodriguez D9/500

* cited by examiner

Primary Examiner — Derrick E Holland

Assistant Examiner — Janice Patyk

(74) *Attorney, Agent, or Firm* — Fitch, Even, Tabin &
Flannery LLP

(57) **CLAIM**

The ornamental design for a bottle, as shown and described.

DESCRIPTION

FIG. 1 is a perspective view of a first embodiment of a bottle showing the new design.

FIG. 2 is a front elevational view thereof, the rear and side elevational views being identical.

FIG. 3 is a top plan view thereof.

FIG. 4 is a bottom plan view thereof.

FIG. 5 is a perspective view of a second embodiment of a bottle showing the new design.

FIG. 6 is a front elevational view thereof, the rear and side elevational view being identical.

FIG. 7 is a top plan view thereof; and,

FIG. 8 is a bottom plan view thereof.

The broken lines in the figures illustrate the portions of the design that form no part of the claimed design.

1 Claim, 4 Drawing Sheets

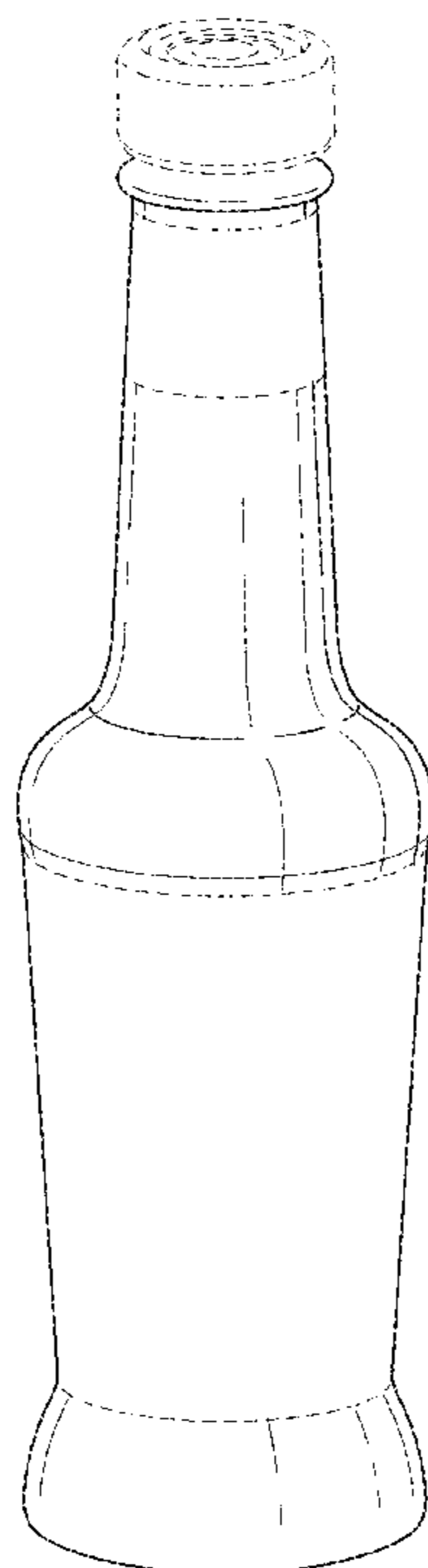


FIG. 1

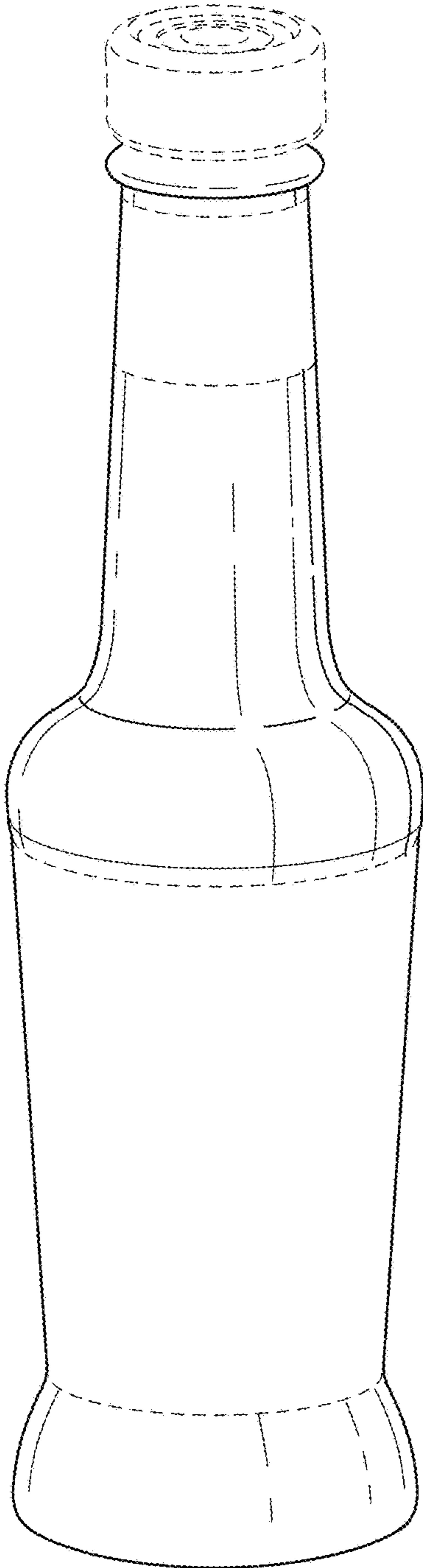


FIG. 2

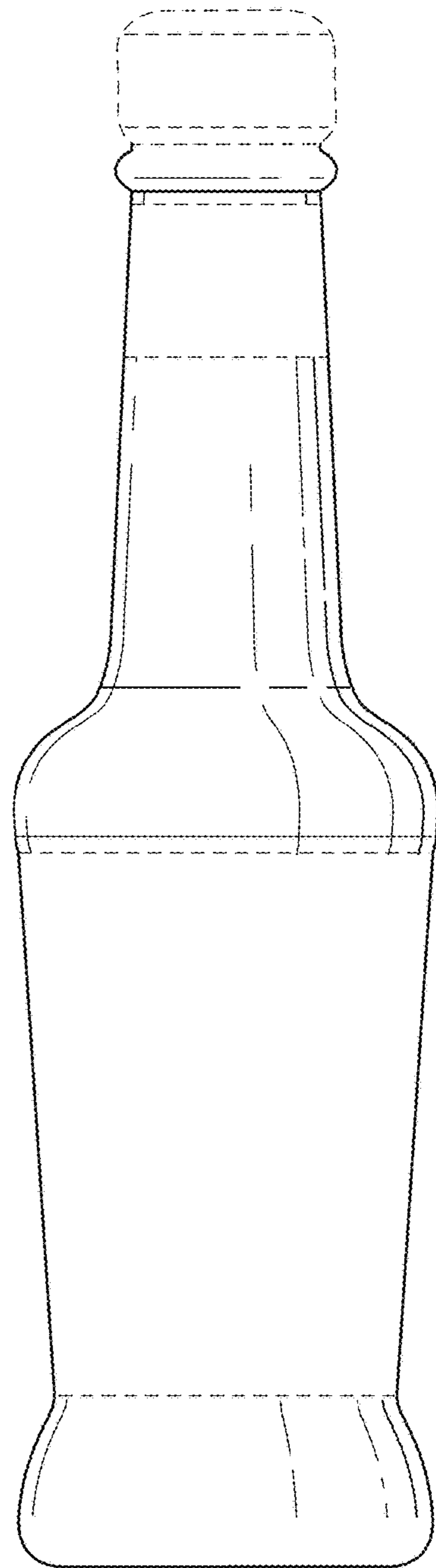


FIG. 3

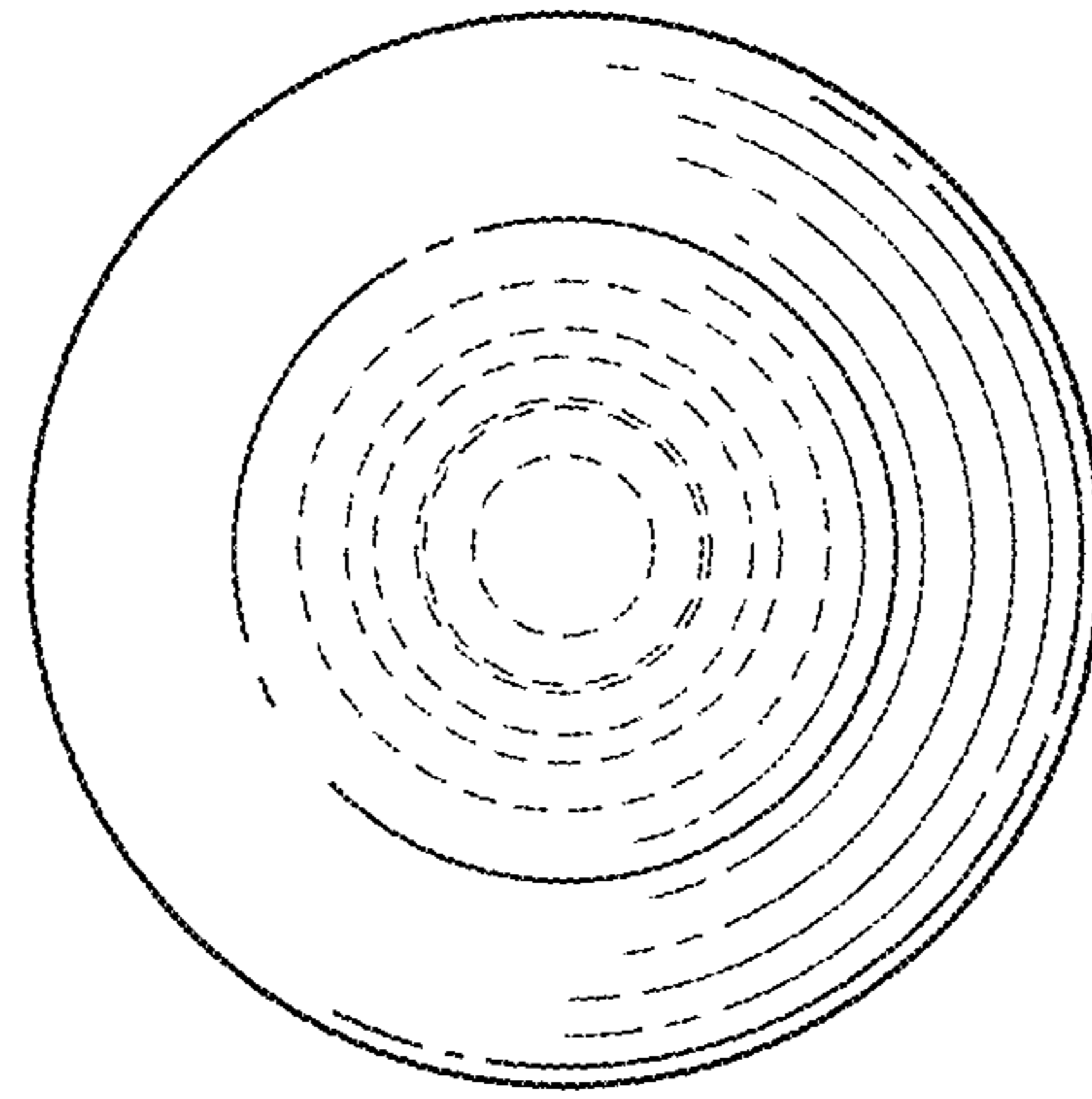


FIG. 4

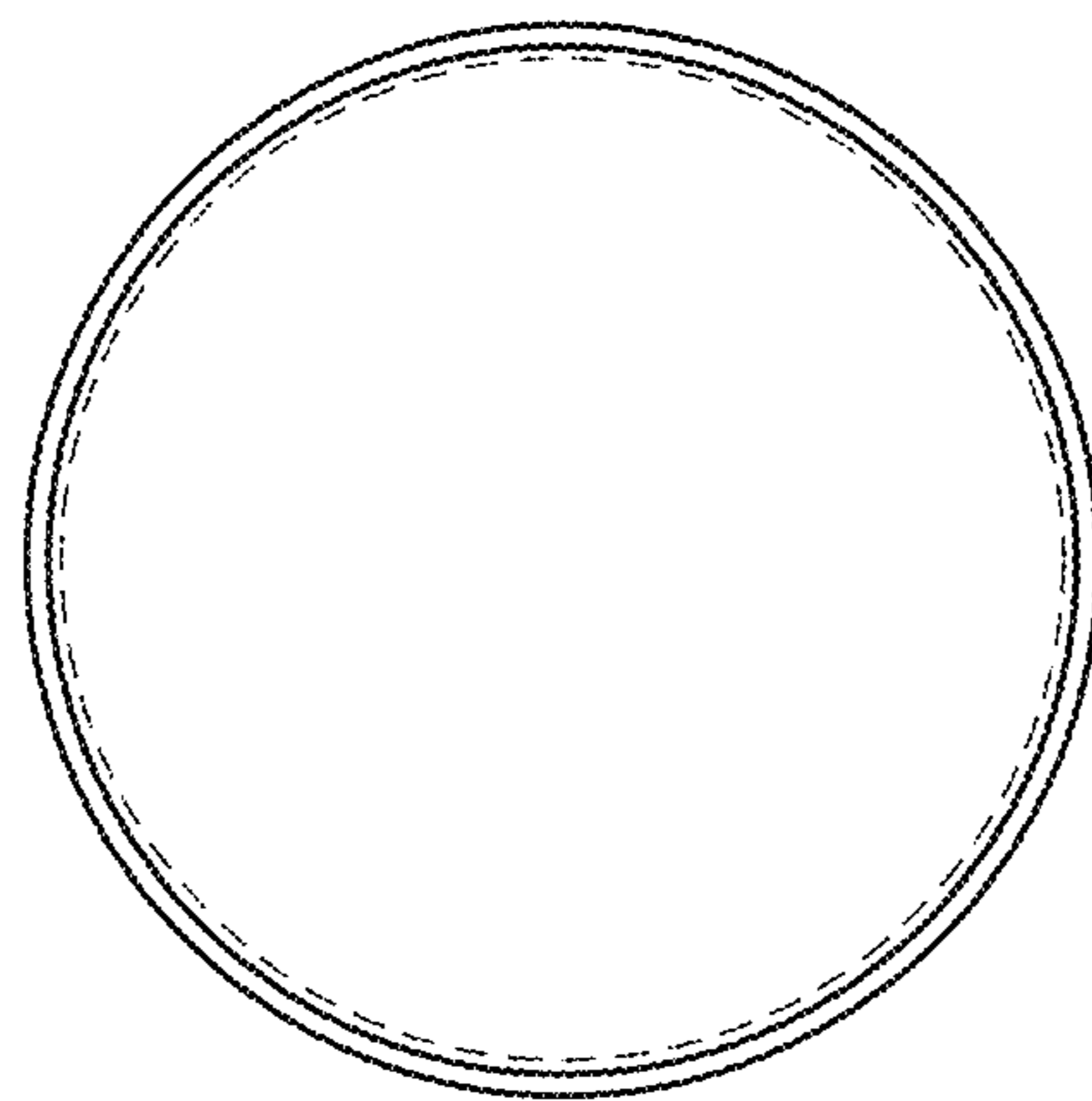


FIG. 5

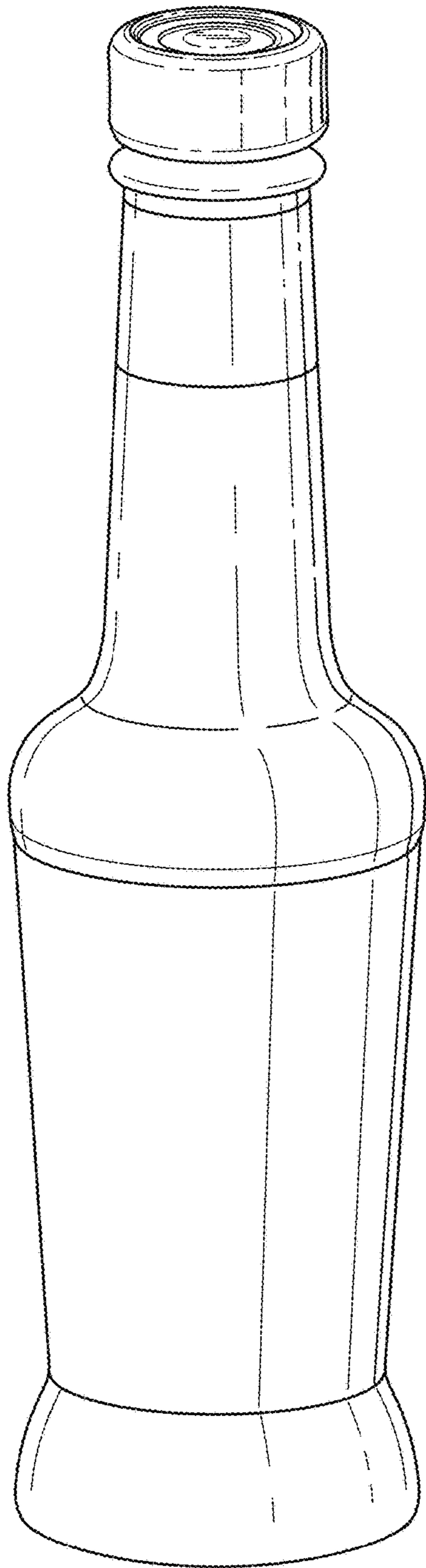


FIG. 6

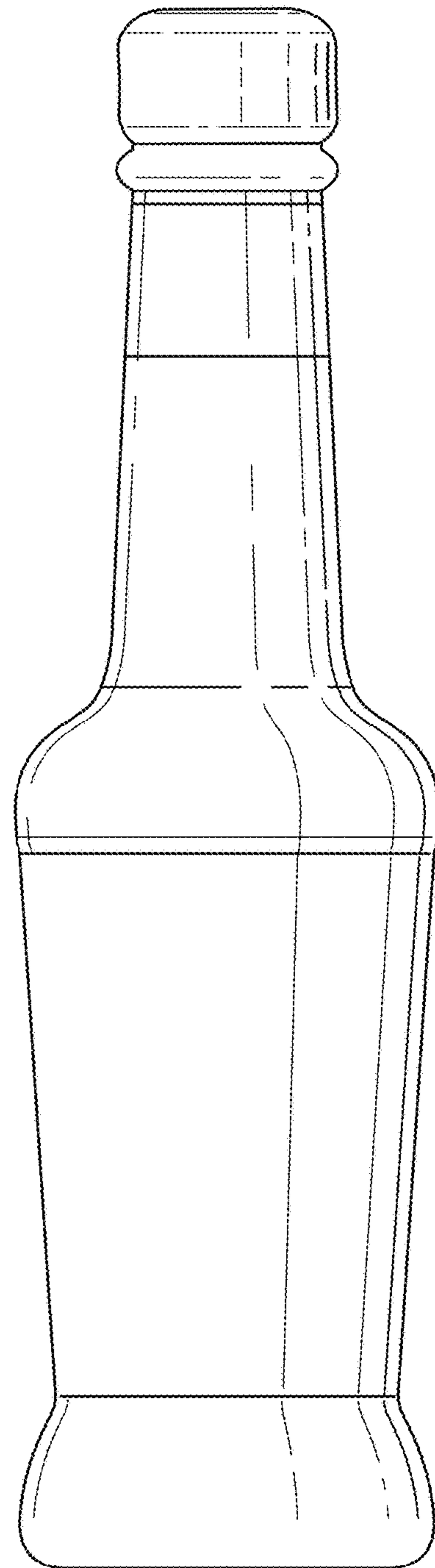


FIG. 7

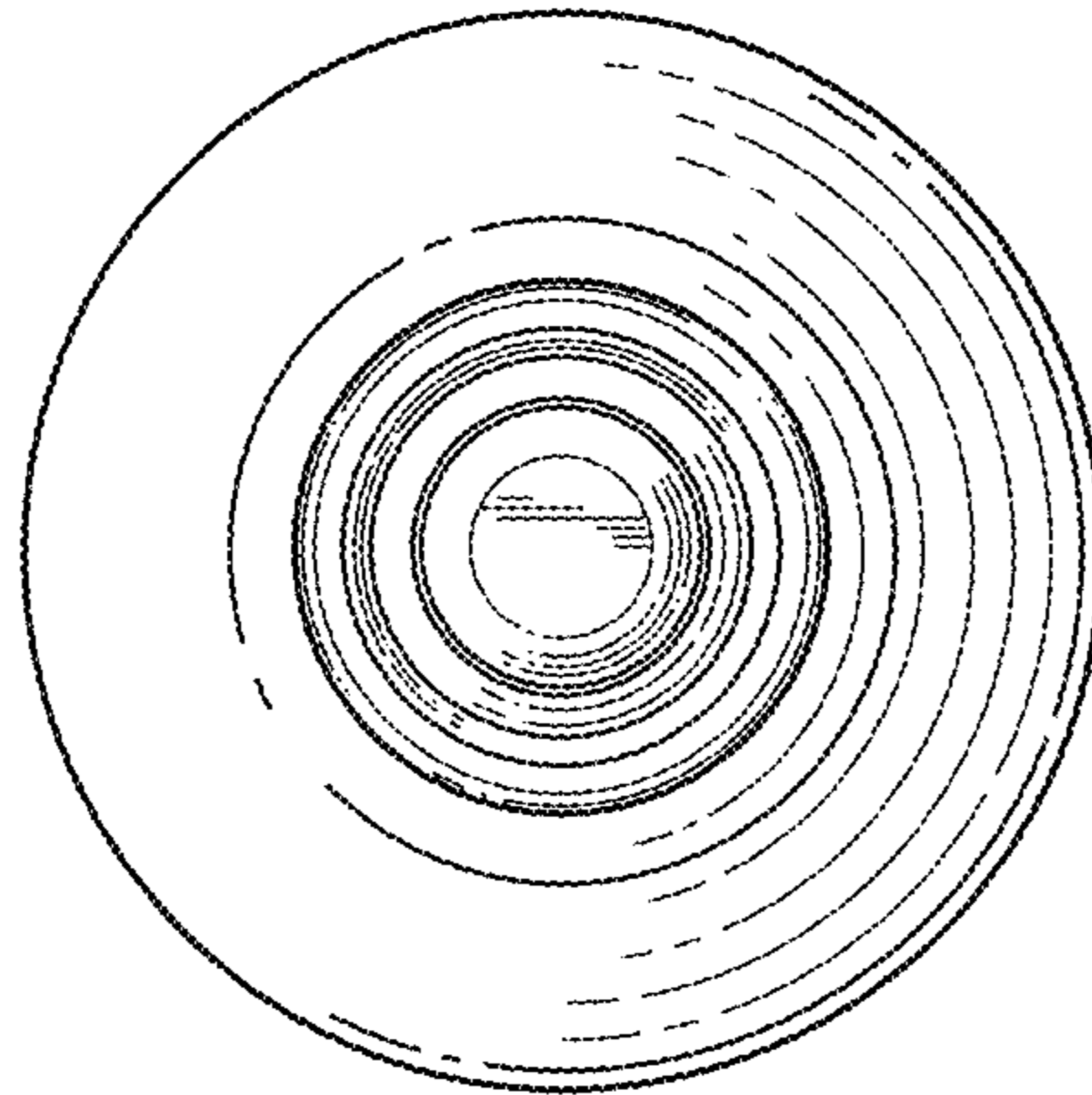


FIG. 8

