



US00D858294S

(12) **United States Design Patent** (10) **Patent No.:** **US D858,294 S**
Boiros et al. (45) **Date of Patent:** **** Sep. 3, 2019**

(54) **BOTTLE**

(71) Applicant: **OCEAN SPRAY CRANBERRIES, INC.**, Lakeville-Middleboro, MA (US)

(72) Inventors: **Richard Boiros**, Lakeville, MA (US); **Mustapha Abbaoui**, West Bridgewater, MA (US); **Toshimasa Tanaka**, Tokyo (JP)

(73) Assignee: **OCEAN SPRAY CRANBERRIES, INC.**, Lakeville-Middleboro, MA (US)

(**) Term: **15 Years**

(21) Appl. No.: **29/579,305**

(22) Filed: **Sep. 29, 2016**

(51) **LOC (12) Cl.** **09-01**

(52) **U.S. Cl.**

USPC **D9/550**; D9/558; D9/559

(58) **Field of Classification Search**

USPC D9/516, 519, 520, 521, 527, 528, 529, D9/530, 531, 533, 540, 542, 544, 550, D9/553, 556, 557, 558, 559, 563, 564, D9/565, 566, 567, 545, 536, 537, 538, D9/539, 541, 543, 522, 551, 554; D3/202, 203.1, 205; D4/114; D6/515, D6/542; D7/300, 300.1, 598

CPC B65D 2501/0009; B65D 2501/00; B65D 23/00; B65D 1/0223; B65D 1/00; B65D 1/02

See application file for complete search history.

(56) **References Cited**

U.S. PATENT DOCUMENTS

D352,245 S * 11/1994 Krishnakumar D9/538
D395,826 S * 7/1998 Hygaard, Sr. D9/520
D451,032 S 11/2001 Iizuka et al.
D451,033 S 11/2001 Iizuka et al.

D459,234 S 6/2002 Bourque et al.
D462,271 S 9/2002 Bourque et al.
D469,696 S * 2/2003 Bryant D9/538
D476,236 S * 6/2003 Ungrady D9/538
6,575,321 B2 6/2003 Bourque et al.
6,749,075 B2 6/2004 Bourque et al.
7,004,342 B2 2/2006 Bourque et al.
D530,618 S 10/2006 Estabrook et al.
D536,987 S 2/2007 Estabrook et al.
D564,890 S 3/2008 Coley, Jr. et al.
7,350,658 B2 4/2008 Bourque et al.
D570,691 S 6/2008 Robbins, III et al.
D573,476 S * 7/2008 Hopkins D9/537

(Continued)

OTHER PUBLICATIONS

Available Jul. 11, 2018, [online], [site visited Jul. 11, 2018]. Available from Internet, <URL:https://www.oceanspray.com/Products/Juices-and-Drinks/By-Type/Organic/100-Juice-Organic-Cranberry> (Year: 2018).*

(Continued)

Primary Examiner — Cathron C Brooks
Assistant Examiner — Katrina N Gonzalez
(74) *Attorney, Agent, or Firm* — Nixon & Vanderhye P.C.

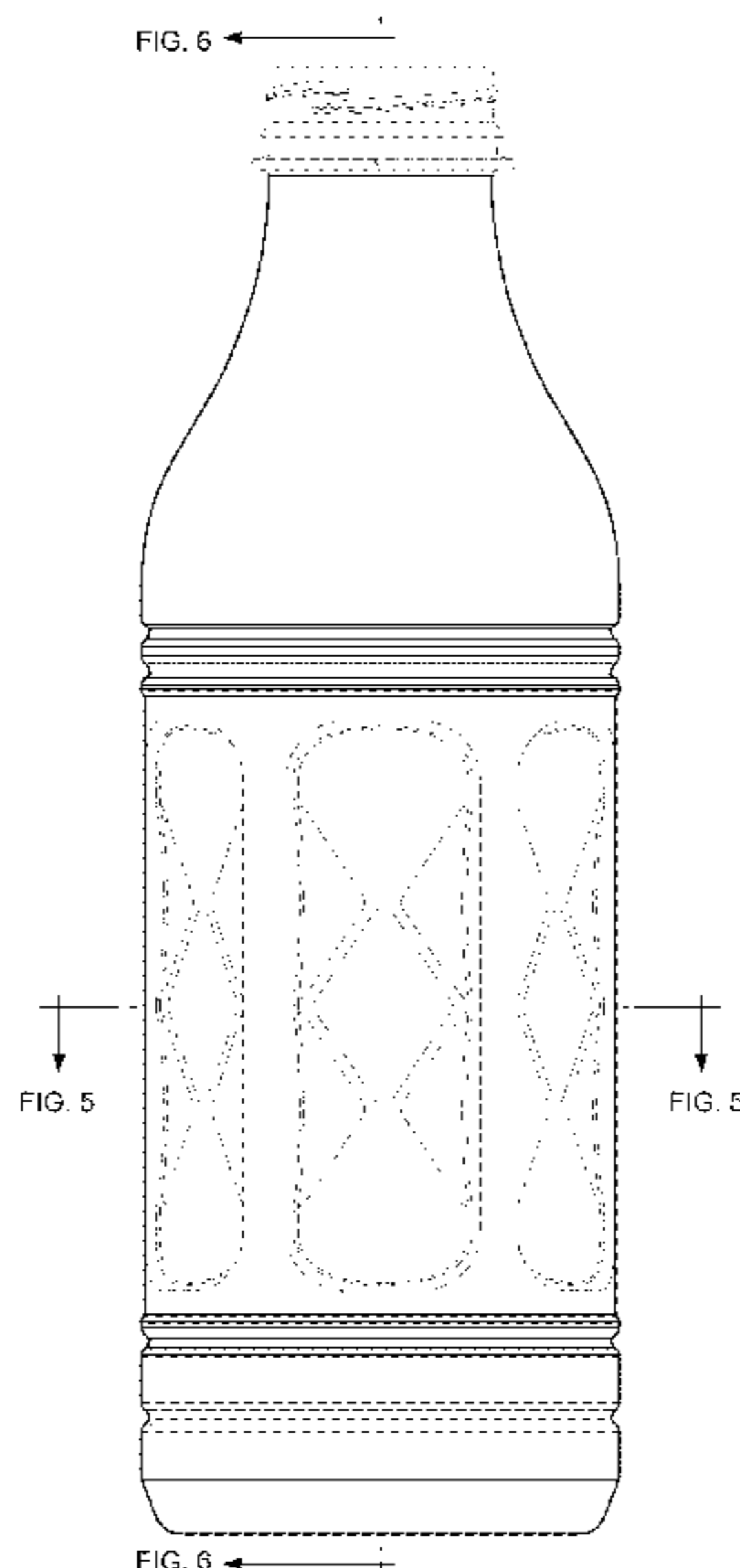
(57) **CLAIM**

The ornamental design for a bottle, as shown and described.

DESCRIPTION

FIG. 1 is a front view of a bottle showing our new design; FIG. 2 is a side view thereof; FIG. 3 is a top view thereof; FIG. 4 is a bottom view thereof; FIG. 5 is a cross section taken along line 5-5 of FIG. 1; and, FIG. 6 is a cross section taken along line 6-6 of FIG. 1. The broken lines illustrate portions of the bottle that form no part of the claimed design.

1 Claim, 4 Drawing Sheets



(56)

References Cited

U.S. PATENT DOCUMENTS

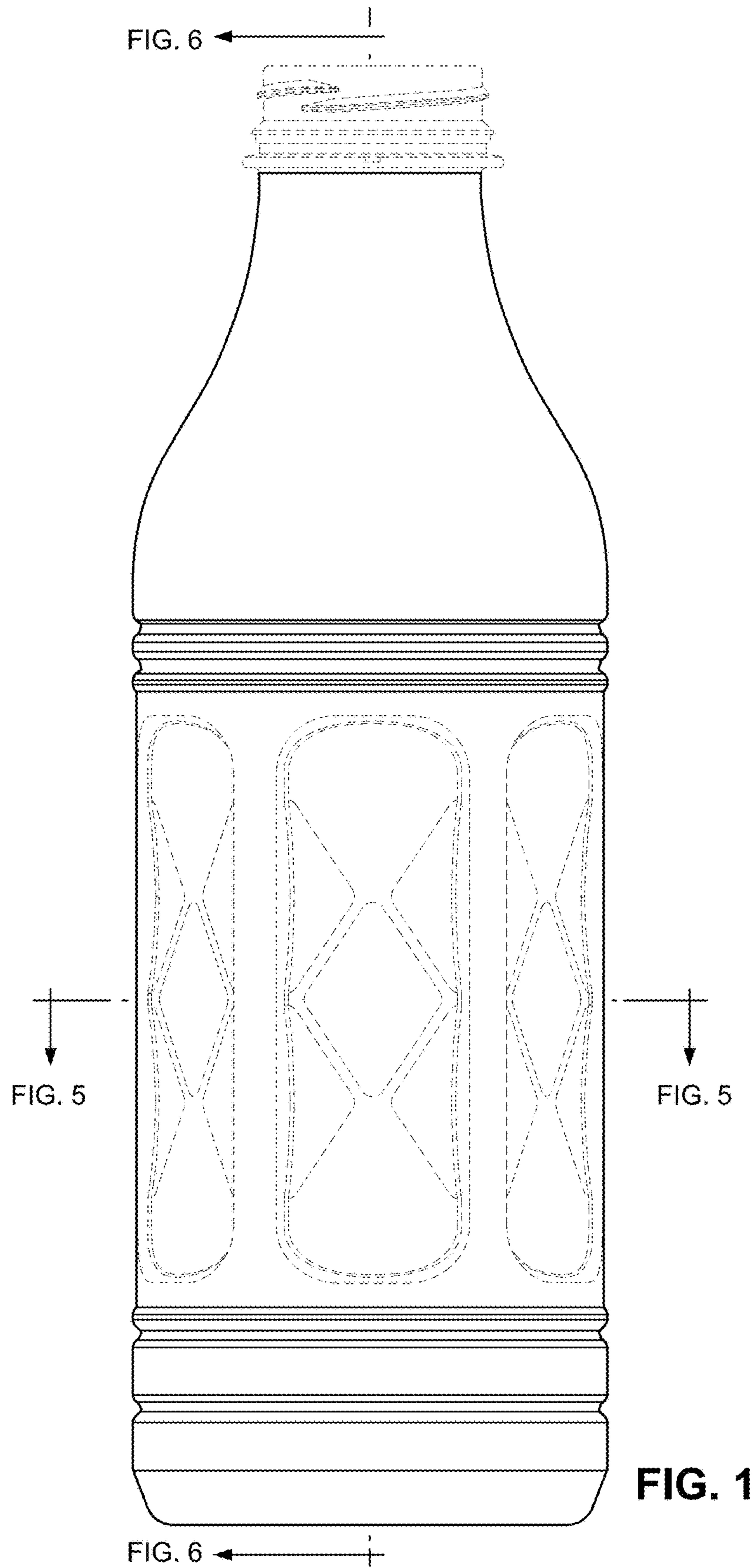
D576,493 S 9/2008 Coley, Jr. et al.
 D582,784 S 12/2008 Boiros et al.
 D603,713 S * 11/2009 James D9/538
 D603,714 S * 11/2009 James D9/538
 D605,950 S * 12/2009 James D9/538
 D609,570 S * 2/2010 Suchenski D9/500
 D618,549 S 6/2010 Boiros et al.
 D621,271 S * 8/2010 Soni D9/516
 D637,494 S 5/2011 Coley, Jr. et al.
 D641,632 S 7/2011 Boiros et al.
 D644,111 S * 8/2011 Williams D9/550
 D645,753 S 9/2011 Coley, Jr. et al.
 D647,406 S 10/2011 Coley, Jr. et al.
 D648,219 S 11/2011 Coley, Jr. et al.
 8,083,081 B2 12/2011 Coley, Jr. et al.
 D653,118 S * 1/2012 Asano D9/520
 D657,679 S 4/2012 Boiros et al.
 D662,823 S 7/2012 Coley, Jr. et al.
 D666,496 S 9/2012 Coley, Jr. et al.
 8,567,624 B2 10/2013 Coley, Jr. et al.
 D699,116 S * 2/2014 Sanderson D9/516
 D714,649 S * 10/2014 Boon D9/520
 D720,228 S * 12/2014 Boon D9/538
 D727,736 S 4/2015 Napoli et al.
 D741,187 S * 10/2015 Didier D9/538
 D757,556 S * 5/2016 Lesueur D9/520
 D758,199 S * 6/2016 Mody D9/516
 D777,512 S * 1/2017 Lu D7/396.4

D781,152 S * 3/2017 Zhao D9/516
 D781,156 S * 3/2017 Minakuchi D9/538
 D783,406 S * 4/2017 Melrose D9/516
 D793,237 S * 8/2017 Vitale Rotta D9/520
 2005/0067370 A1 * 3/2005 Tanaka B65D 1/0223
 215/382
 2006/0153963 A1 7/2006 Morgan
 2009/0020497 A1 * 1/2009 Tanaka B65D 1/0223
 215/383
 2009/0065468 A1 * 3/2009 Hata B65D 1/0223
 215/383
 2009/0246428 A1 * 10/2009 Shimizu B29C 49/649
 428/35.7
 2010/0206839 A1 * 8/2010 Tanaka B65D 1/0223
 215/383
 2010/0320218 A1 * 12/2010 Tanaka B65D 1/0223
 220/721
 2011/0049086 A1 3/2011 Boiros et al.
 2012/0175339 A1 * 7/2012 Tanaka B65D 1/0223
 215/383
 2014/0263162 A1 9/2014 Napoli et al.

OTHER PUBLICATIONS

Available Jun. 26, 2017, [online], [site visited Jul. 11, 2018].
 Available from Internet, <URL:https://www.amazon.com/Ocean-Spray-Mocktails-Cranberry-Bellini/dp/B06XW6YF5Q> (Year: 2017).
 Napoli et al., U.S. Appl. No. 29/572,677, filed Jul. 29, 2016 for Bottle.

* cited by examiner



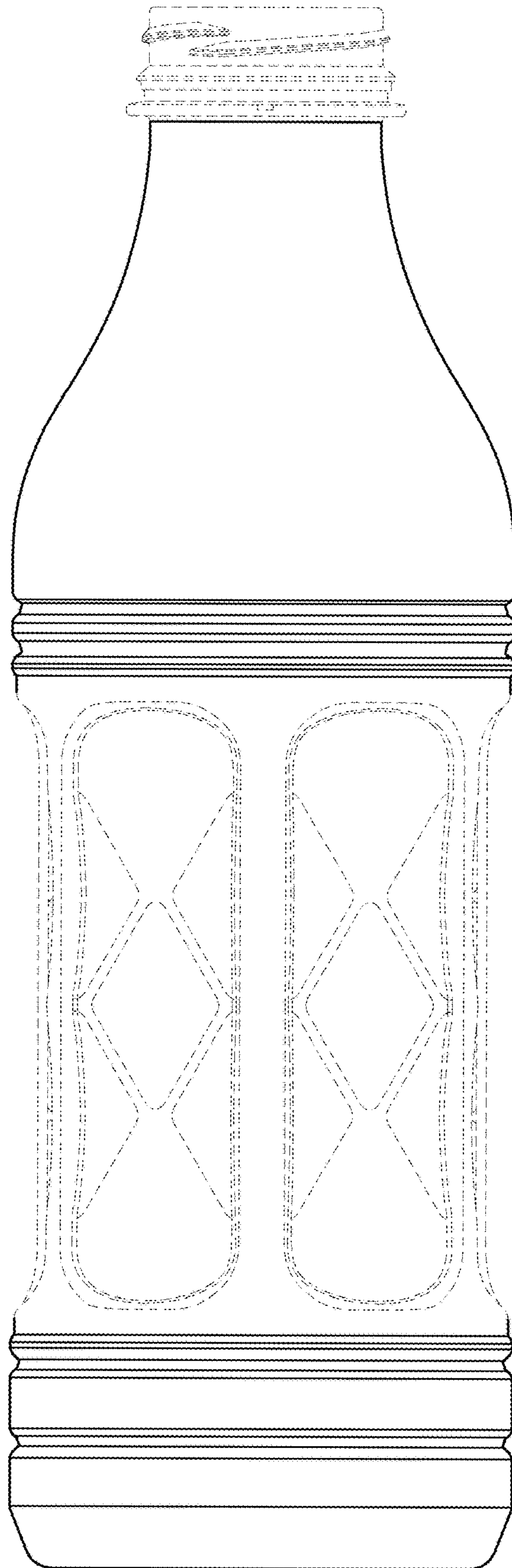


FIG. 2

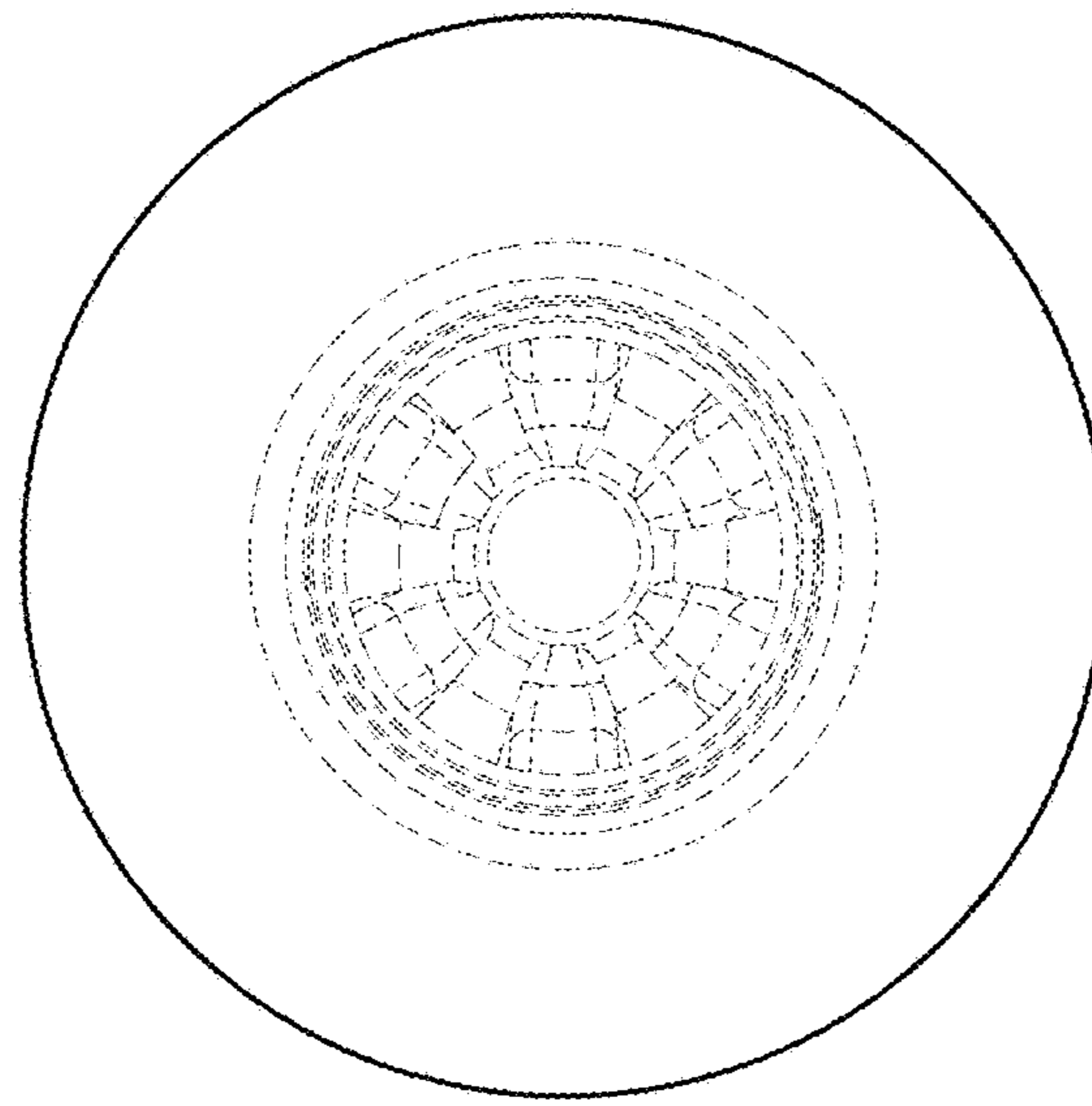


FIG. 3

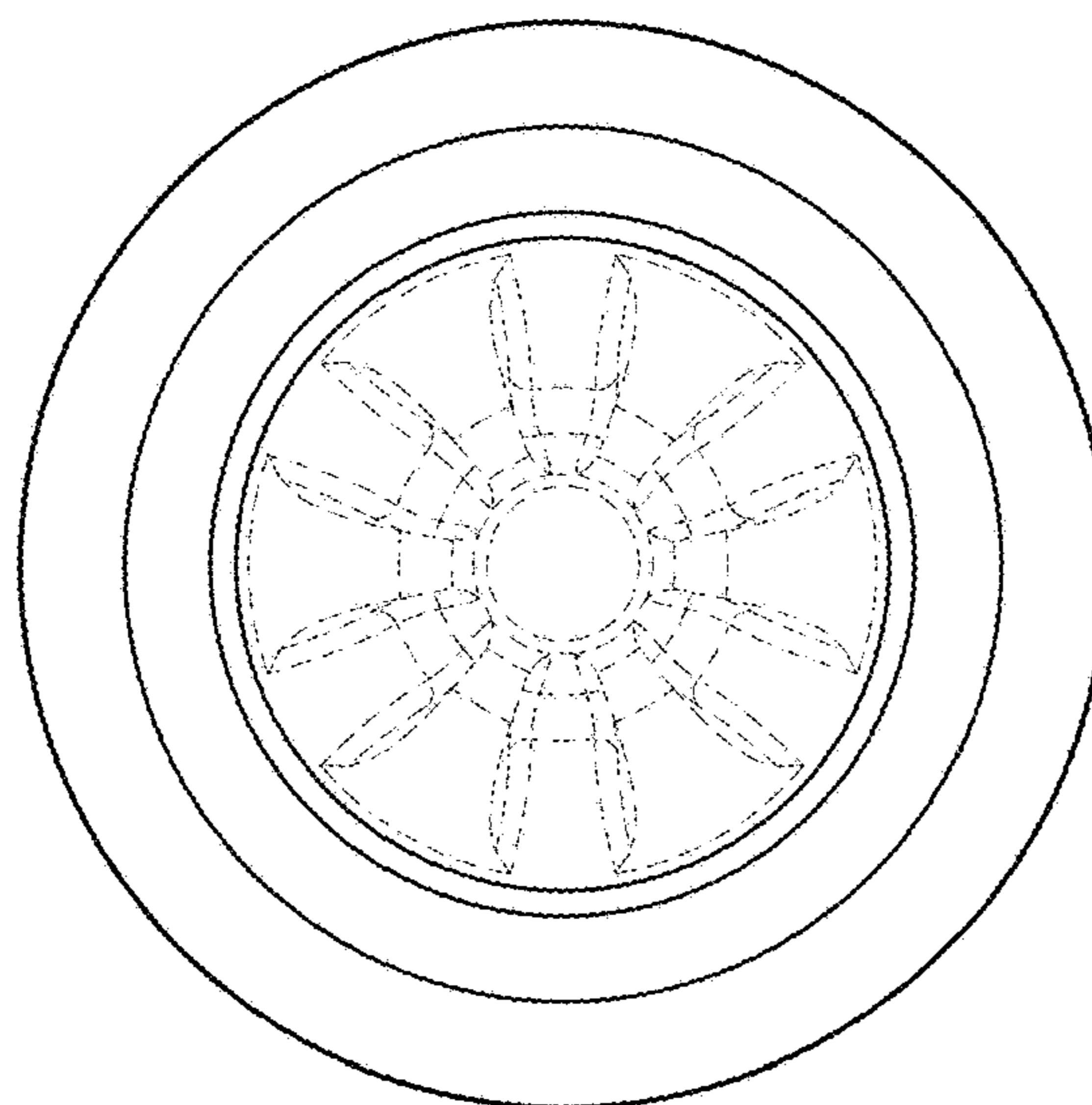


FIG. 4

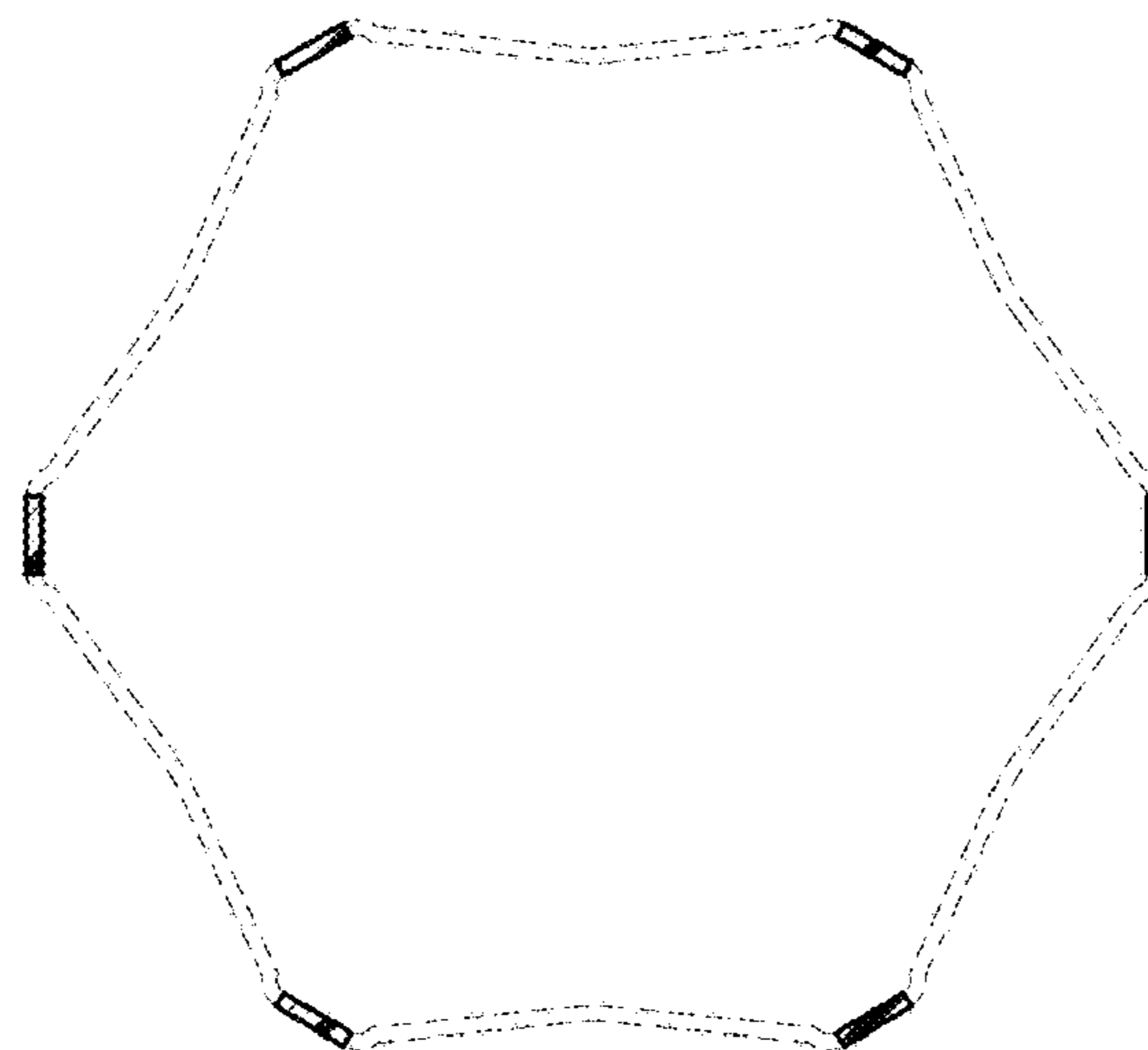


FIG. 5

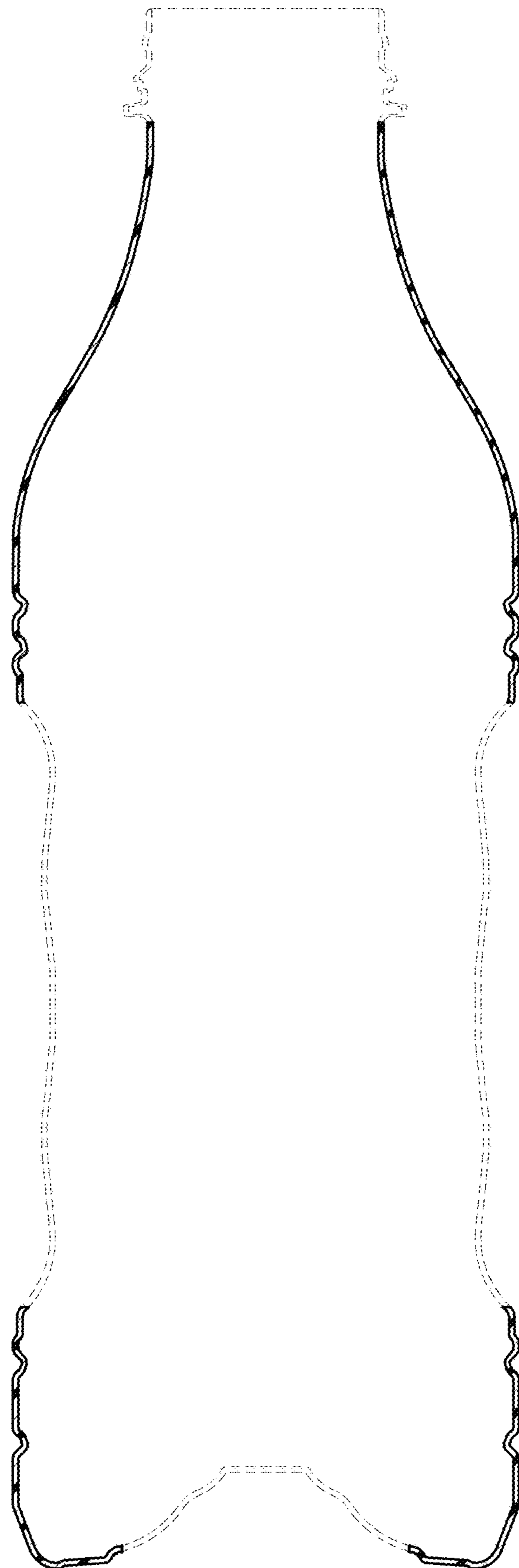


FIG. 6