



US00D858293S

(12) **United States Design Patent**  
**Zhang**

(10) **Patent No.:** **US D858,293 S**

(45) **Date of Patent:** **\*\* Sep. 3, 2019**

(54) **PACKAGING BOTTLE**

(71) Applicant: **Xiaoling Zhang**, Guangdong Province  
(CN)

(72) Inventor: **Xiaoling Zhang**, Guangdong Province  
(CN)

(\*\*) Term: **15 Years**

(21) Appl. No.: **29/568,187**

(22) Filed: **Jun. 16, 2016**

(51) **LOC (12) Cl.** ..... **09-01**

(52) **U.S. Cl.**

USPC ..... **D9/529**; D9/519; D9/555

(58) **Field of Classification Search**

USPC ..... D9/516, 519, 522, 529, 549, 551, 555,  
D9/682, 688, 693, 715, 719, 575;  
D23/366, 367; D28/91.1

CPC ..... A45D 33/18; A45D 19/02; A45D 34/02;  
B65D 2543/00351; B65D 1/14

See application file for complete search history.

(56) **References Cited**

**U.S. PATENT DOCUMENTS**

D321,319 S *	11/1991	Giuseppe	.....	D23/366
D434,325 S *	11/2000	Jivago	.....	D9/651
D573,026 S *	7/2008	Tsai	.....	D9/435
D619,896 S *	7/2010	Iwazu	.....	D9/454
D656,829 S *	4/2012	Watabe	.....	D9/444
D752,291 S *	3/2016	Schlatter	.....	D28/87
D764,108 S *	8/2016	Teller	.....	D28/82

D764,109 S *	8/2016	Teller	.....	D28/82
D764,112 S *	8/2016	Teller	.....	D28/82
D764,711 S *	8/2016	Teller	.....	D28/82
D766,512 S *	9/2016	Teller	.....	D28/82
D777,983 S *	1/2017	Teller	.....	D28/82
D778,503 S *	2/2017	Teller	.....	D28/85
2015/0182004 A1 *	7/2015	Teller	.....	A45D 40/00 401/98
2016/0262522 A1 *	9/2016	Teller	.....	A45D 40/00

\* cited by examiner

*Primary Examiner* — Ian Simmons

*Assistant Examiner* — Keith Frank

(57) **CLAIM**

The ornamental design for a packaging bottle, as shown and described.

**DESCRIPTION**

FIG. 1 is a front elevational view of a packaging bottle showing my new design;

FIG. 2 is a rear elevational view thereof;

FIG. 3 is a left side view thereof;

FIG. 4 is a right side view thereof;

FIG. 5 is a top plan view thereof;

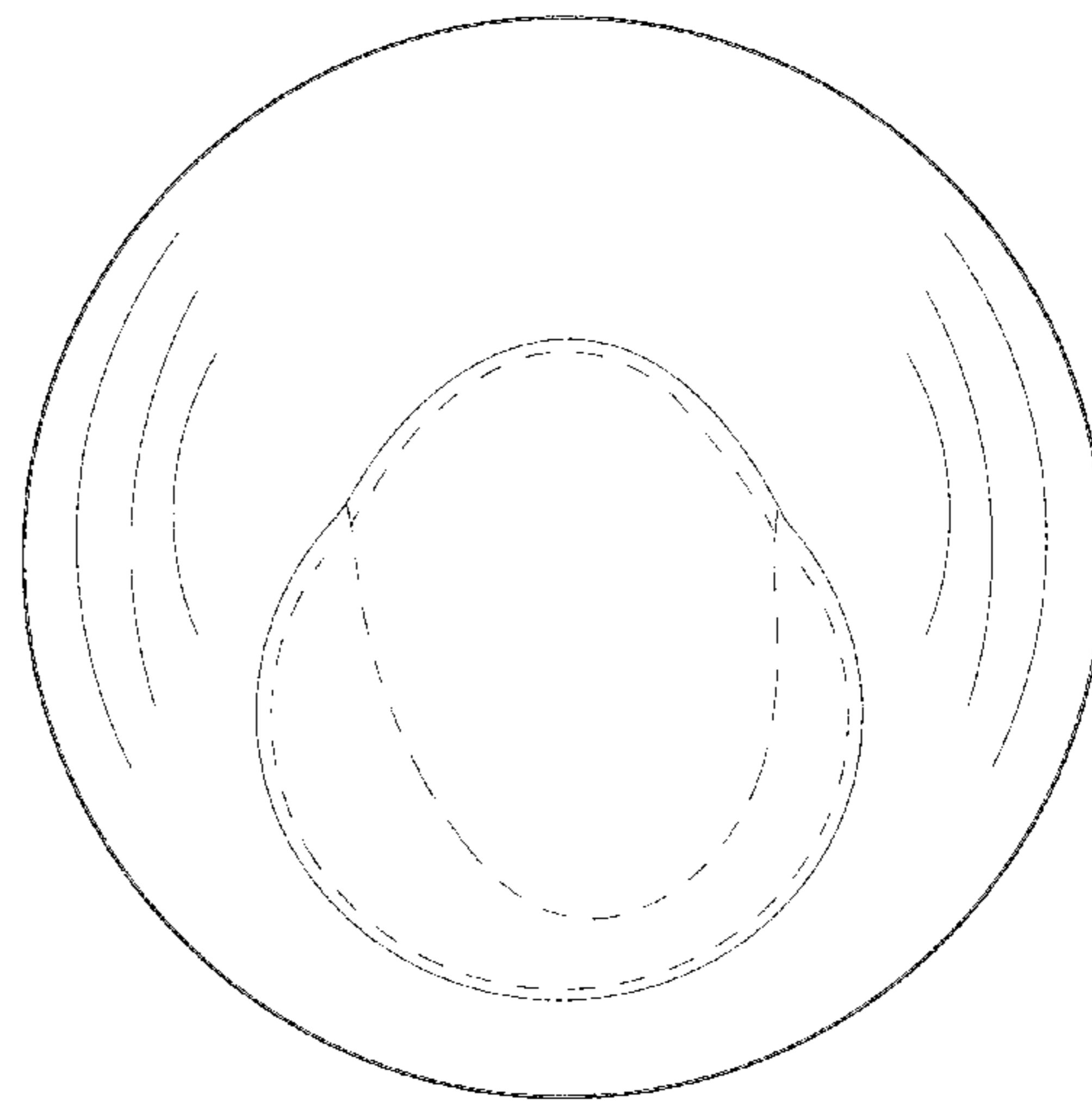
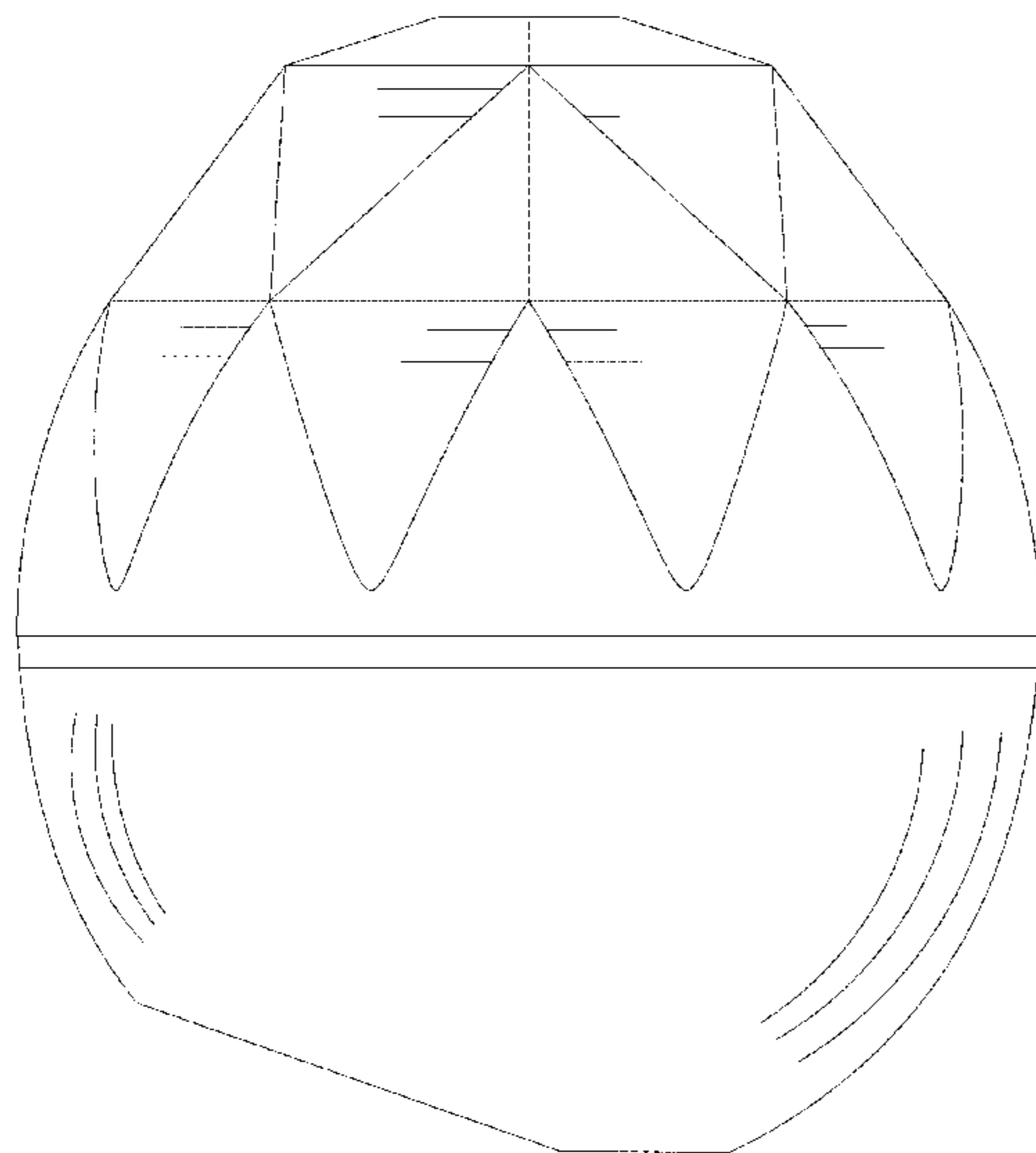
FIG. 6 is a bottom plan view thereof;

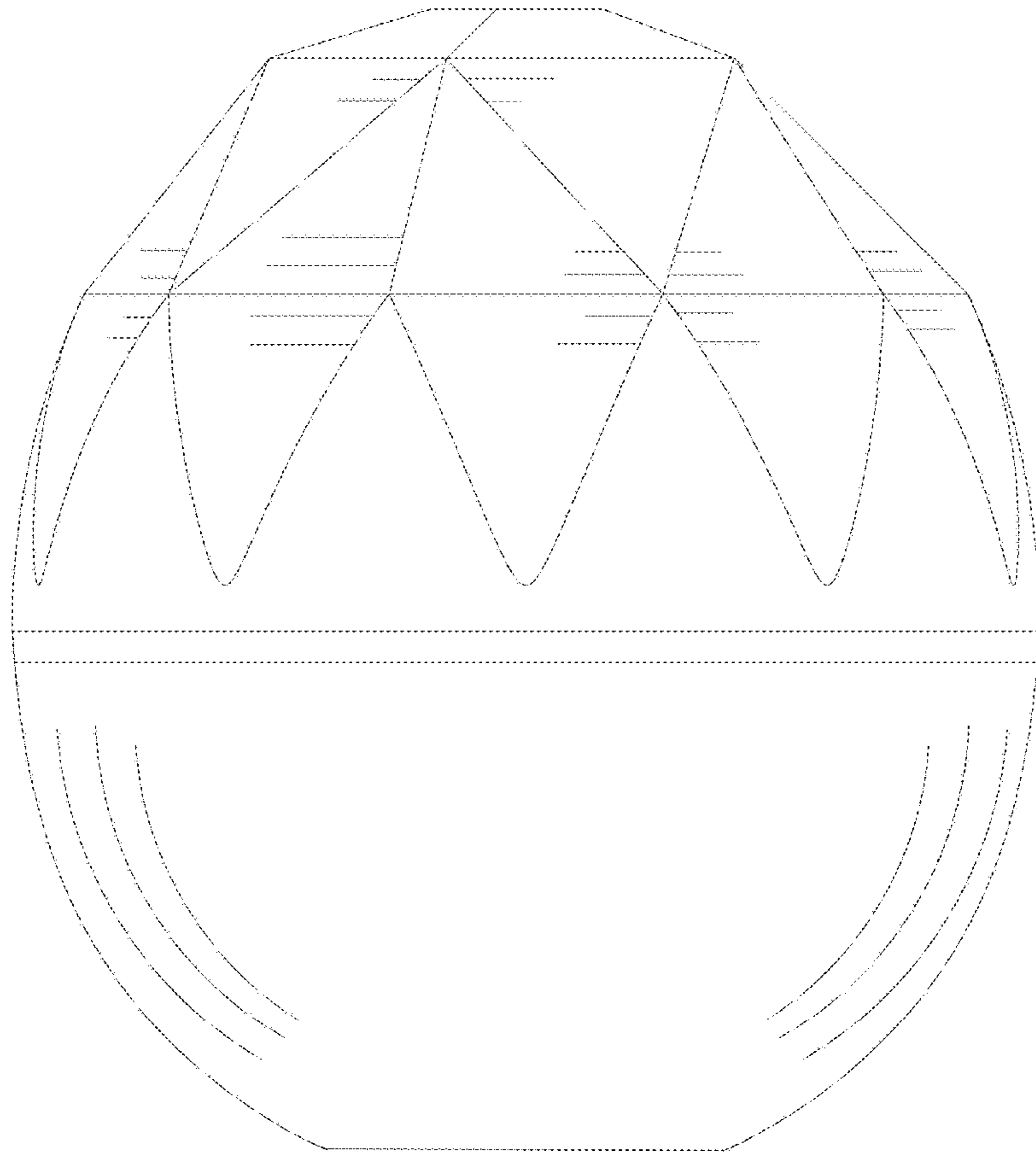
FIG. 7 is a perspective view thereof; and,

FIG. 8 is another perspective view thereof.

The broken lines in the drawings showing of the packaging bottle illustrate the portions of the packaging bottle that form no part of the claimed design.

**1 Claim, 8 Drawing Sheets**





**FIG. 1**

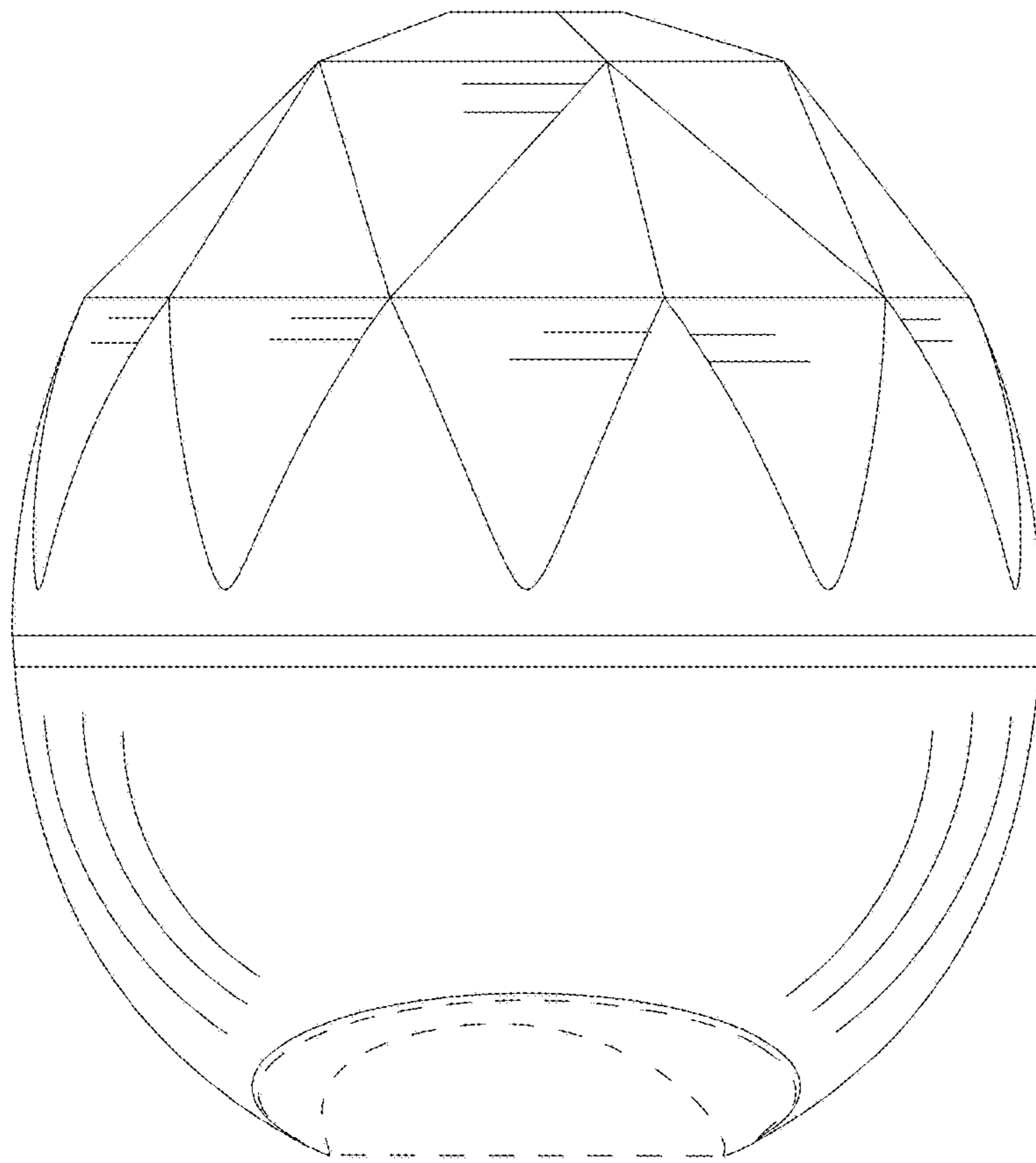
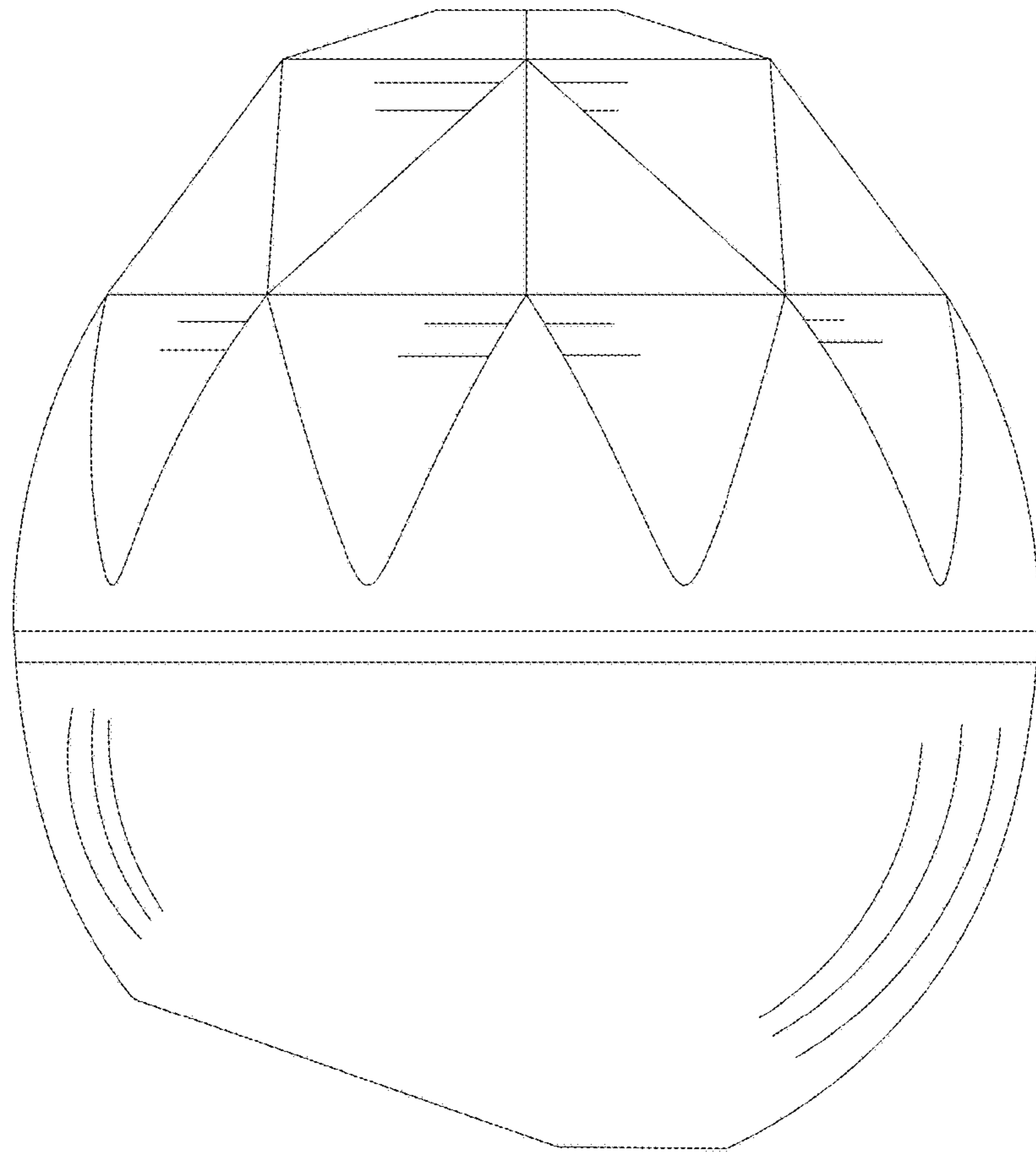


FIG. 2



**FIG. 3**

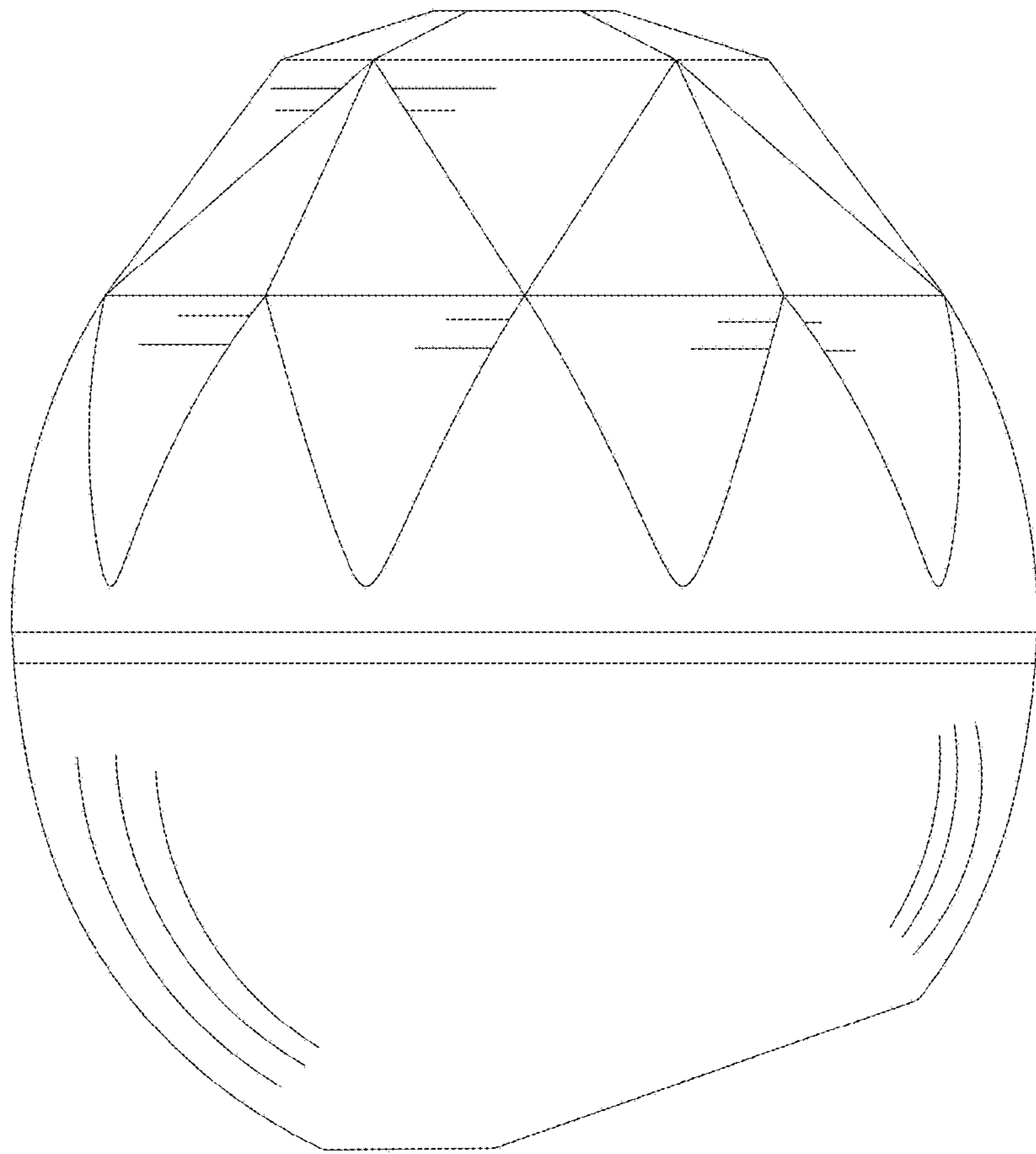
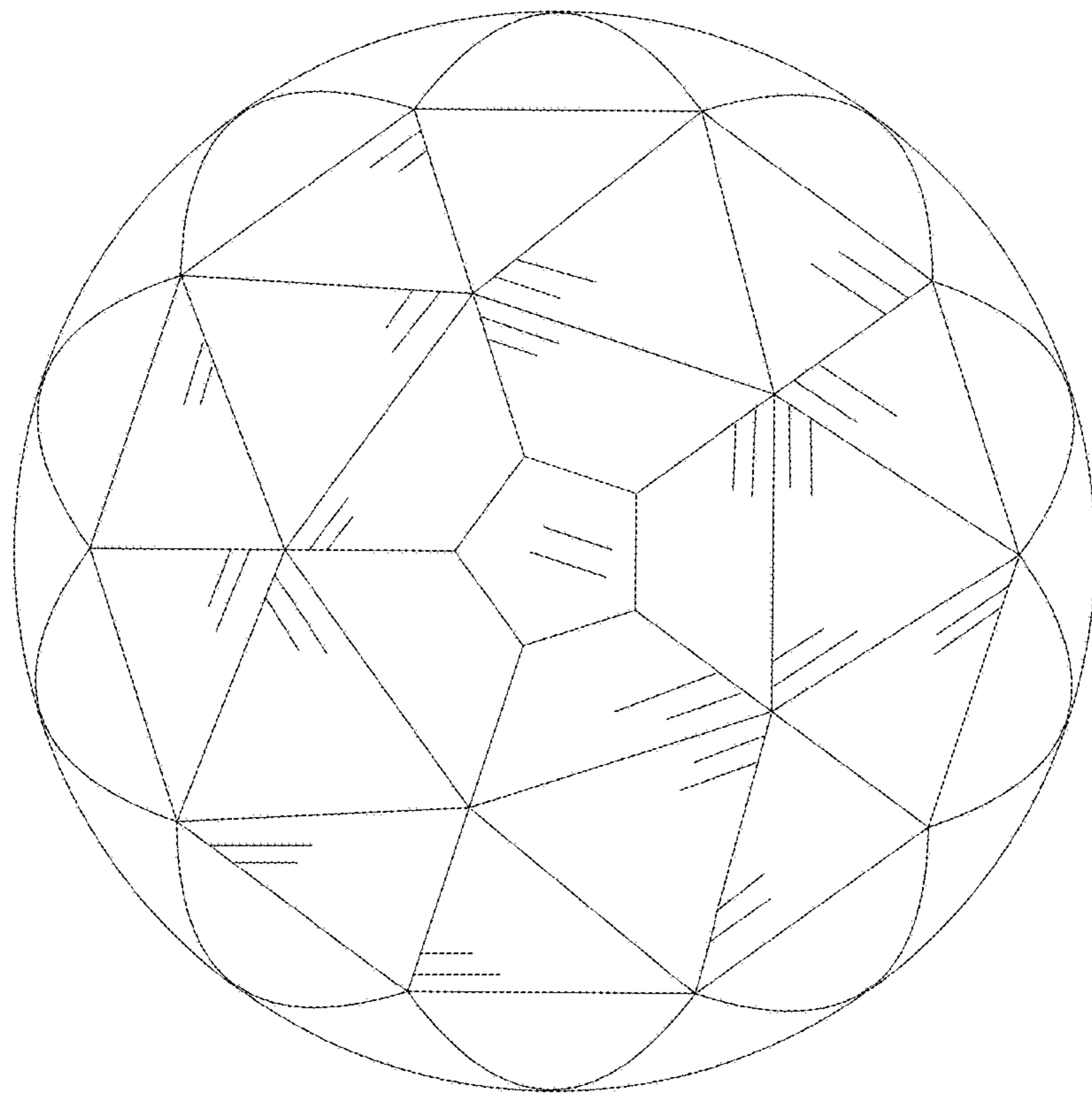
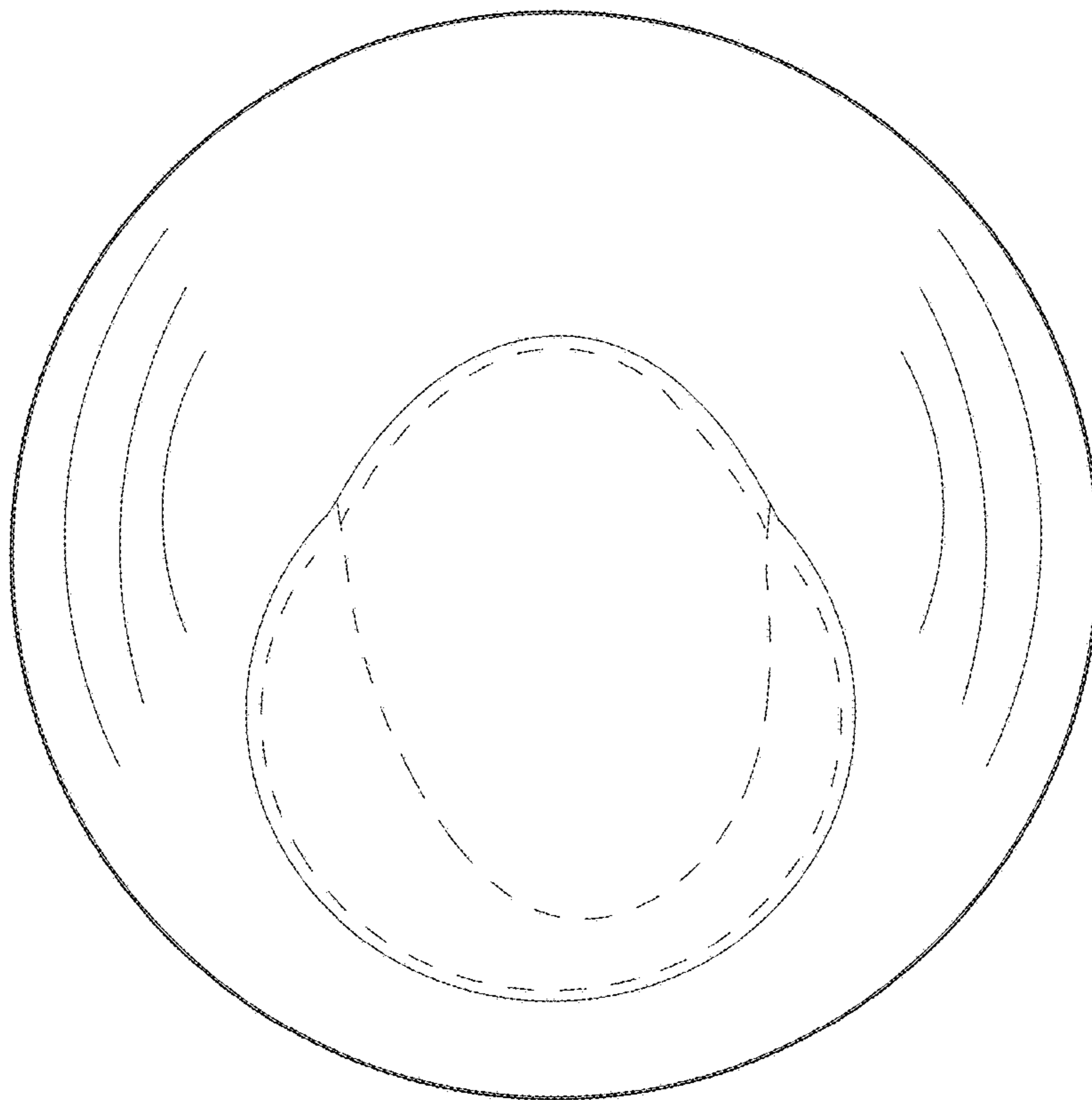


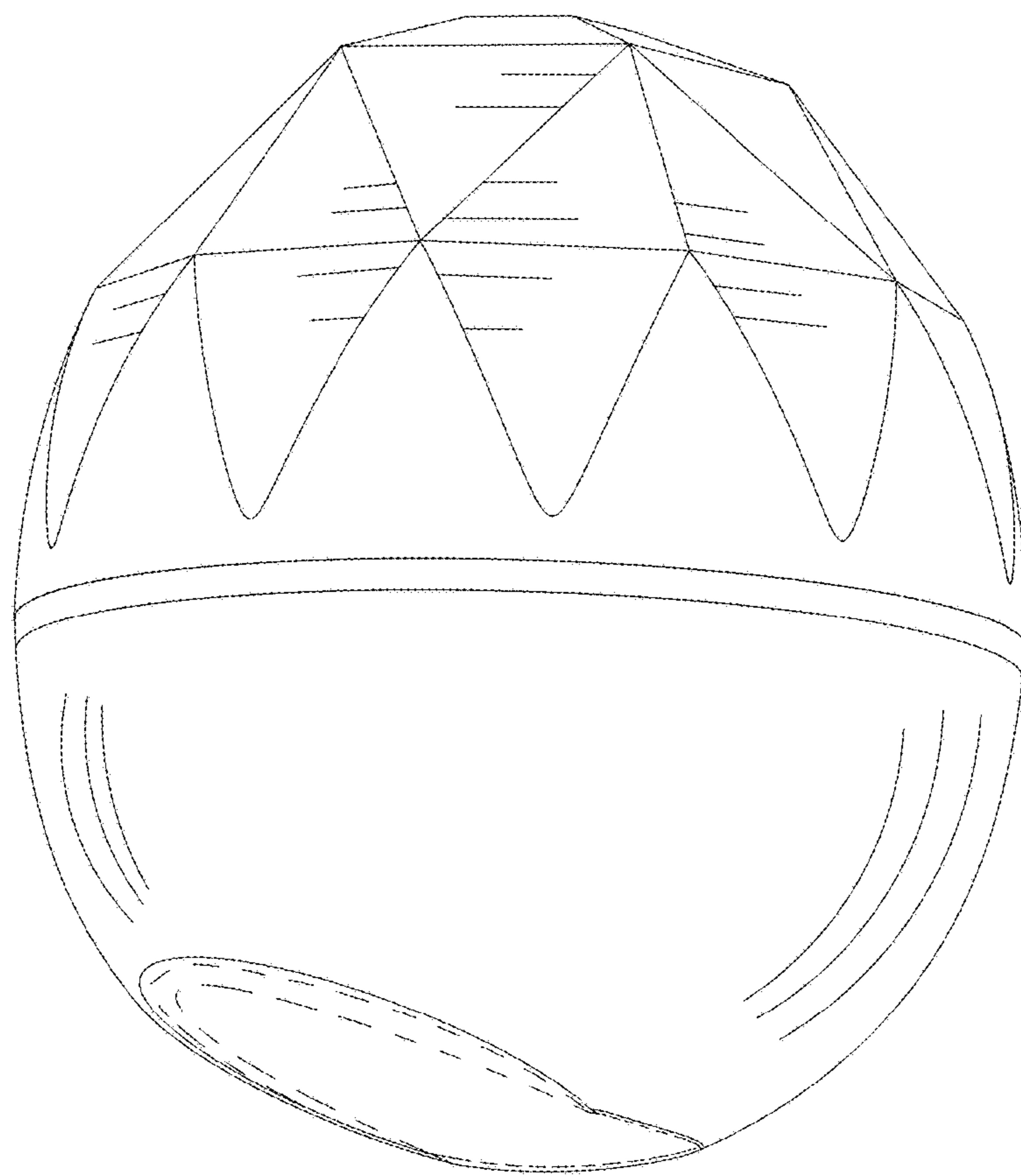
FIG. 4



**FIG. 5**

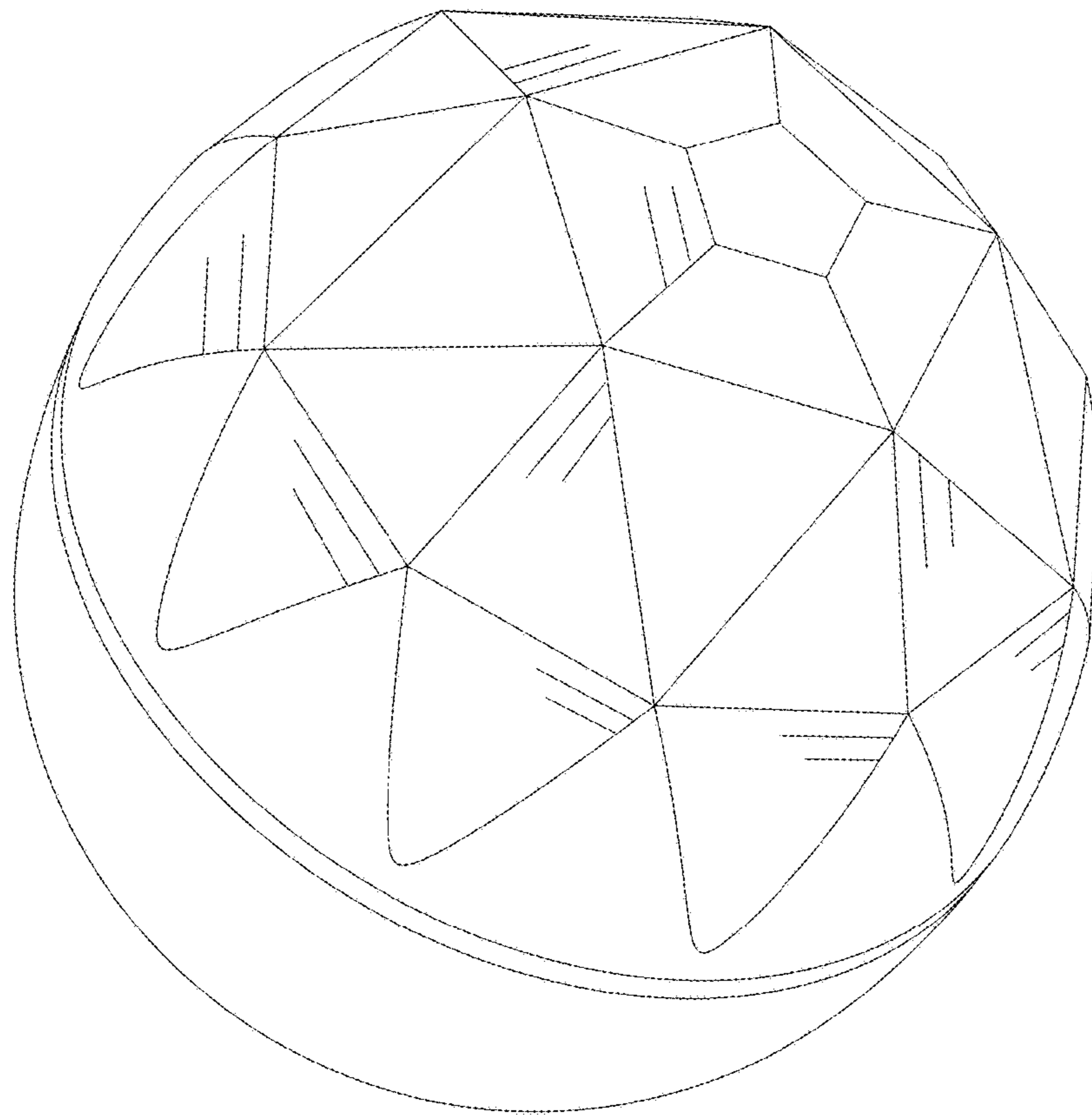


**FIG. 6**



**FIG. 7**





**FIG. 8**