



US00D858290S

(12) **United States Design Patent** (10) **Patent No.:** **US D858,290 S**
Hentges et al. (45) **Date of Patent:** **** Sep. 3, 2019**

(54) **STACKABLE UTILITY JUG**
(71) Applicants: **Levi Hentges**, Sioux Falls, SD (US);
Steve Darby, Sioux Falls, SD (US)
(72) Inventors: **Levi Hentges**, Sioux Falls, SD (US);
Steve Darby, Sioux Falls, SD (US)
(**) Term: **15 Years**
(21) Appl. No.: **29/599,715**
(22) Filed: **Apr. 6, 2017**
(51) **LOC (12) Cl.** **09-01**
(52) **U.S. Cl.**
USPC **D9/528**; D9/531; D9/453; D9/575
(58) **Field of Classification Search**
USPC D9/516, 520, 523, 524, 526, 527, 528,
D9/530, 531, 533, 572, 575, 715, 745,
D9/453-454; D23/211.1
CPC . B65D 85/00; B65D 1/12; B65D 1/18; B65D
1/20; B65D 21/0237; F16N 3/04
See application file for complete search history.

D648,632 S * 11/2011 Ferguson D9/524
D653,114 S * 1/2012 Rivera D9/531
D729,900 S * 5/2015 Hooper D23/211.1
D741,185 S * 10/2015 de Jong D9/534
D760,869 S * 7/2016 Sanders D23/211.1
D781,155 S * 3/2017 Hegarty D9/531
D793,859 S * 8/2017 Yourist D23/211.1
D794,445 S * 8/2017 Yourist D23/211.1
2007/0261983 A1 * 11/2007 Flanagan-Kent
B65D 21/0231
206/510
2011/0017625 A1 1/2011 Wycoff
(Continued)

FOREIGN PATENT DOCUMENTS

CN 2579838 10/2003
CN 2631969 8/2004
CN 102040023 5/2011

Primary Examiner — Ian Simmons
Assistant Examiner — Keith Frank

(57) **CLAIM**

The ornamental design for a stackable utility jug, as shown and described.

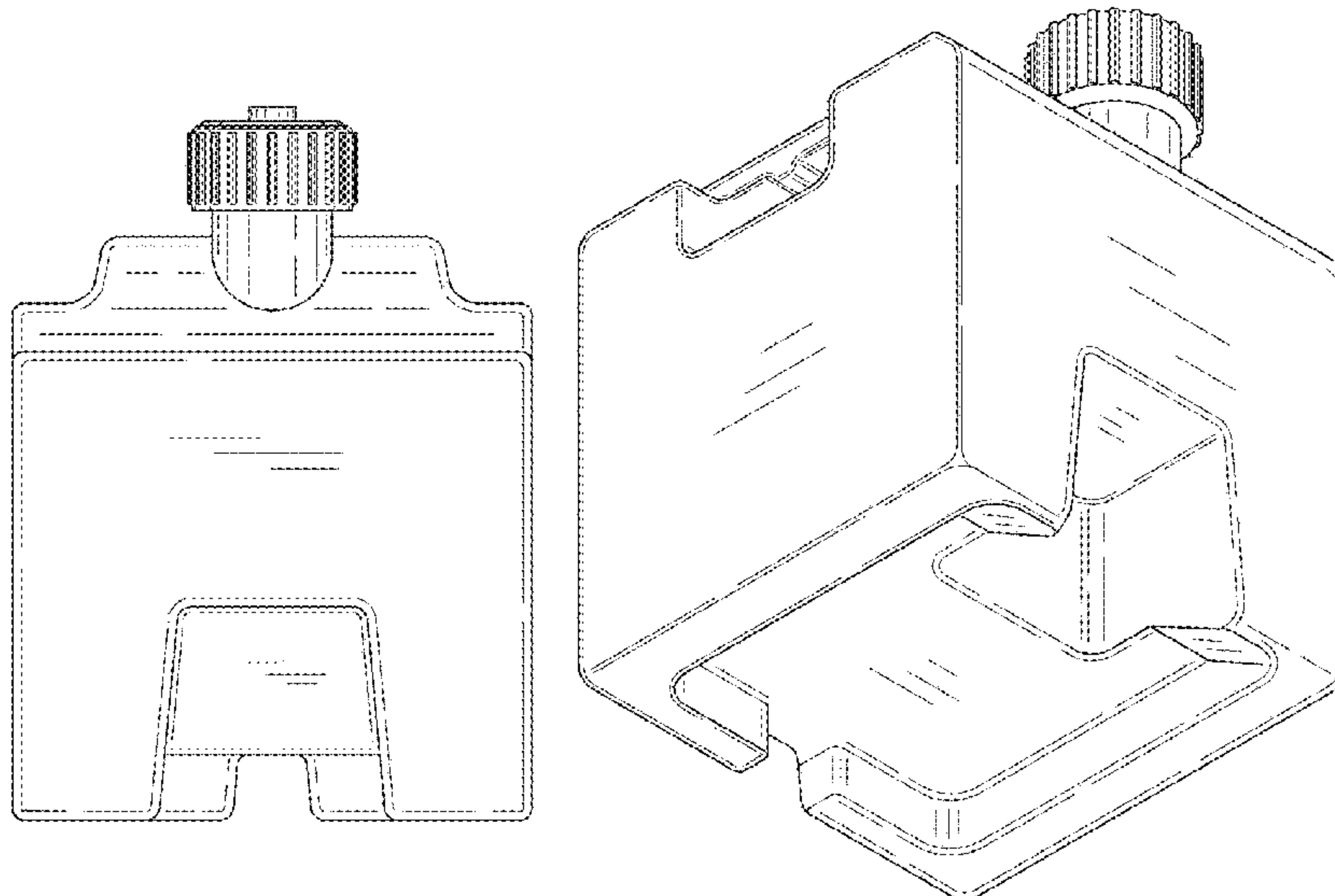
DESCRIPTION

FIG. 1 is a front elevation view of a stackable utility jug showing our new design;
FIG. 2 is a rear elevation view thereof;
FIG. 3 is a left side elevation view, the right side being a mirror image thereof;
FIG. 4 is a top plan view thereof;
FIG. 5 is a bottom plan view thereof;
FIG. 6 is a bottom front side perspective view thereof; and,
FIG. 7 is a top front side perspective view thereof.
The broken lines in the drawings of the stackable utility jug are illustrative of portions of the stackable utility jug that form no part of the claimed design.

1 Claim, 6 Drawing Sheets

(56) **References Cited**
U.S. PATENT DOCUMENTS

3,214,052 A 10/1965 Dike
3,400,846 A 9/1968 Kelly
D297,212 S * 8/1988 Stavish D9/520
4,805,793 A 2/1989 Brandt et al.
D340,640 S * 10/1993 Ferguson D23/211.1
D346,113 S * 4/1994 Ferguson D23/211.1
6,029,858 A 2/2000 Srokose et al.
6,588,612 B1 7/2003 Dorn et al.
D479,468 S * 9/2003 Dorn D9/531
D485,189 S * 1/2004 Montalbano D9/528
D528,425 S * 9/2006 Van Dorin D9/524
D559,111 S * 1/2008 Reimann D9/531
D569,476 S * 5/2008 Munlin D23/211.1
D581,481 S * 11/2008 Edwards D23/211.1
D589,809 S * 4/2009 Gundrum D23/211.1
D609,102 S * 2/2010 Matlin D9/527



(56)

References Cited

U.S. PATENT DOCUMENTS

2013/0213846 A1* 8/2013 Hendrickson B65D 21/0216
206/509

* cited by examiner

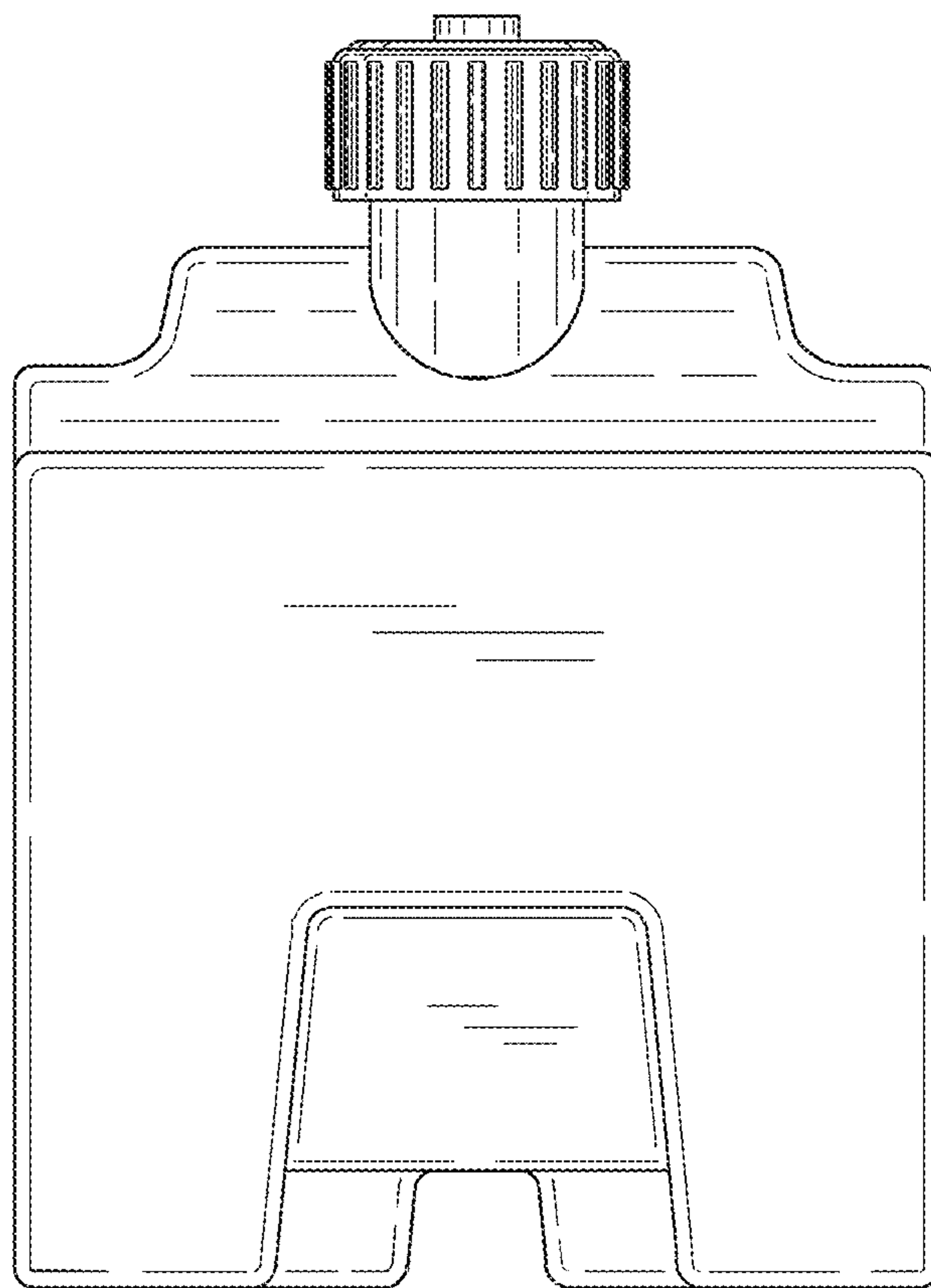


FIG. 1

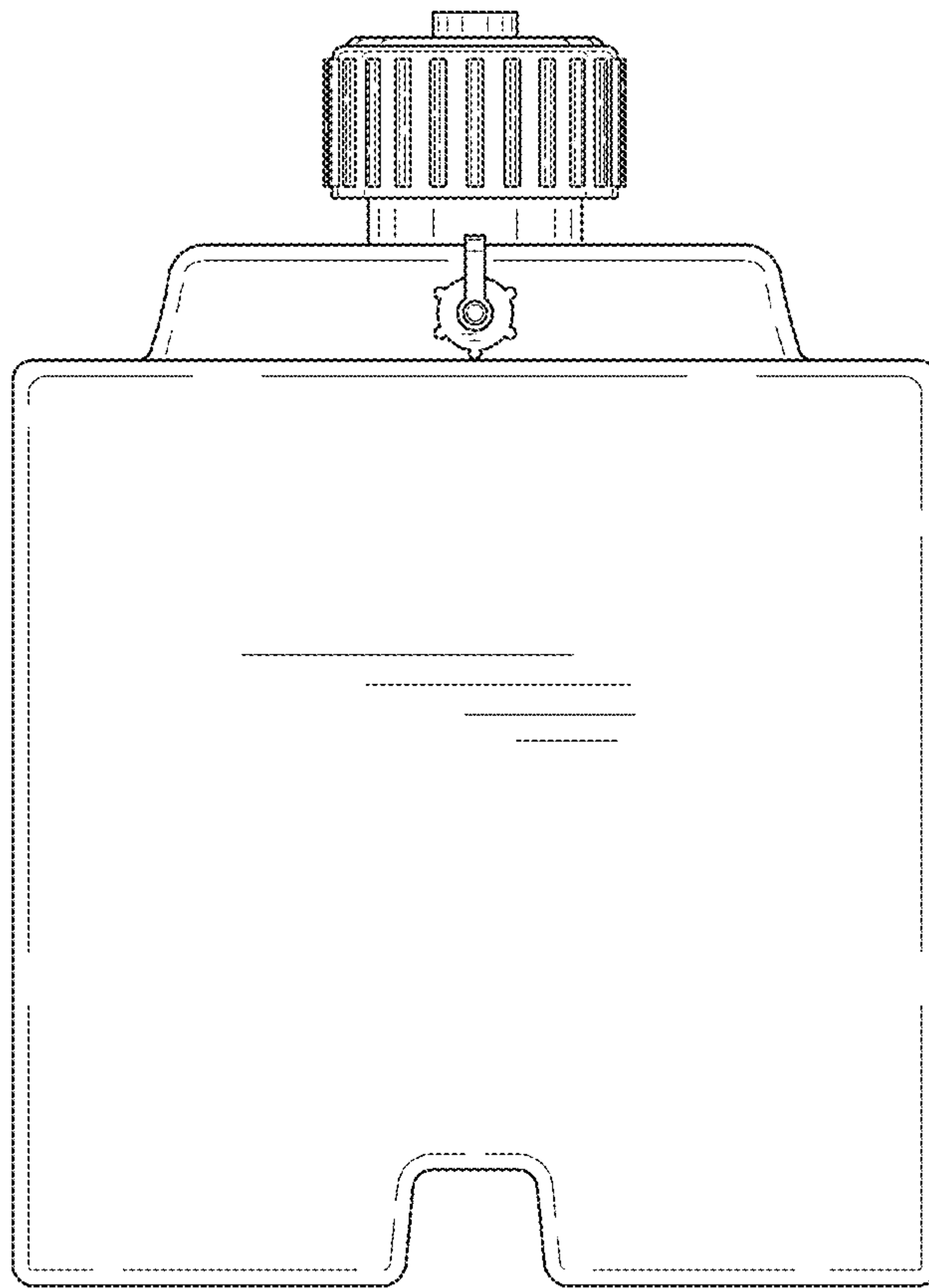


FIG. 2

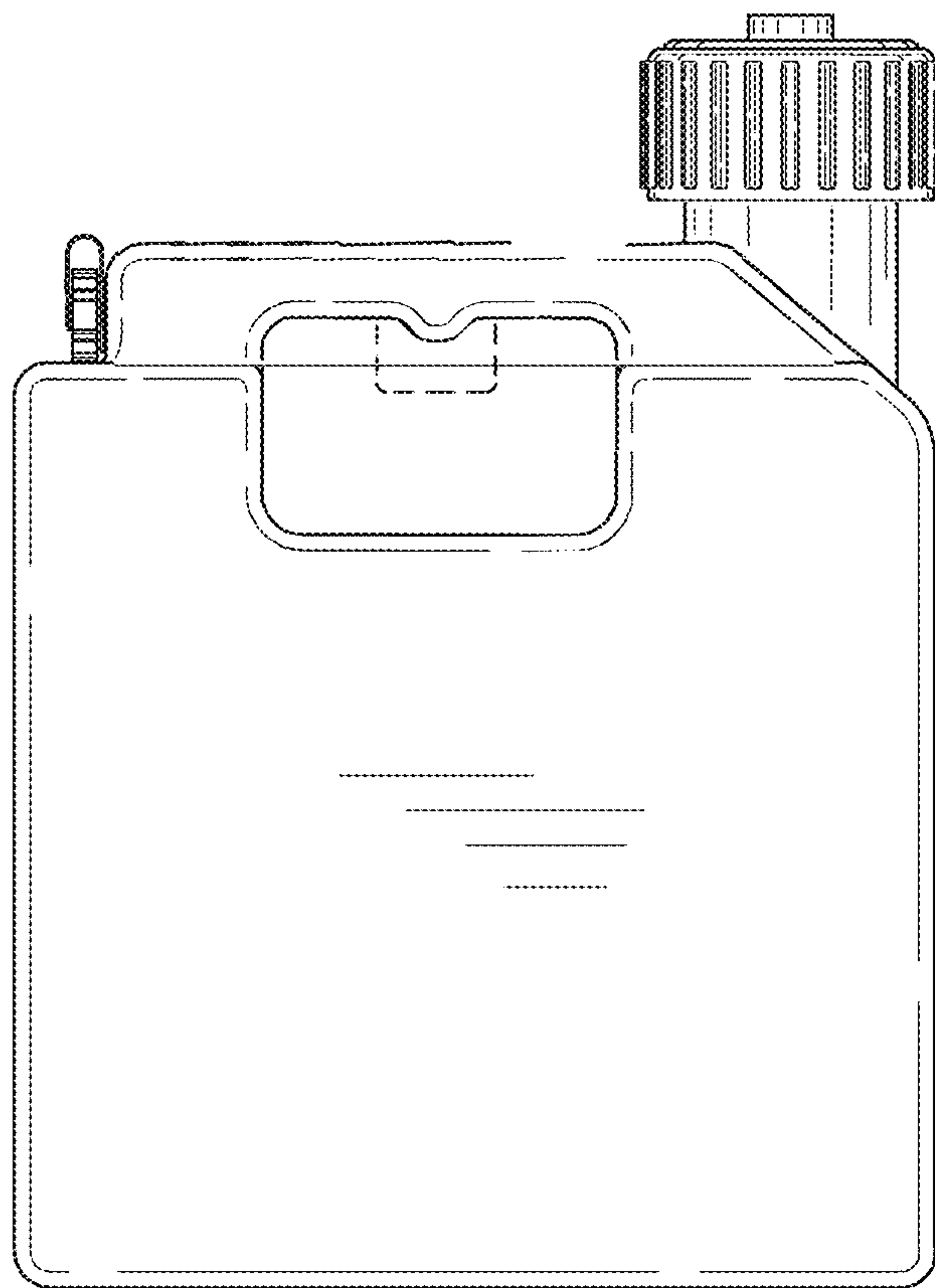


FIG. 3

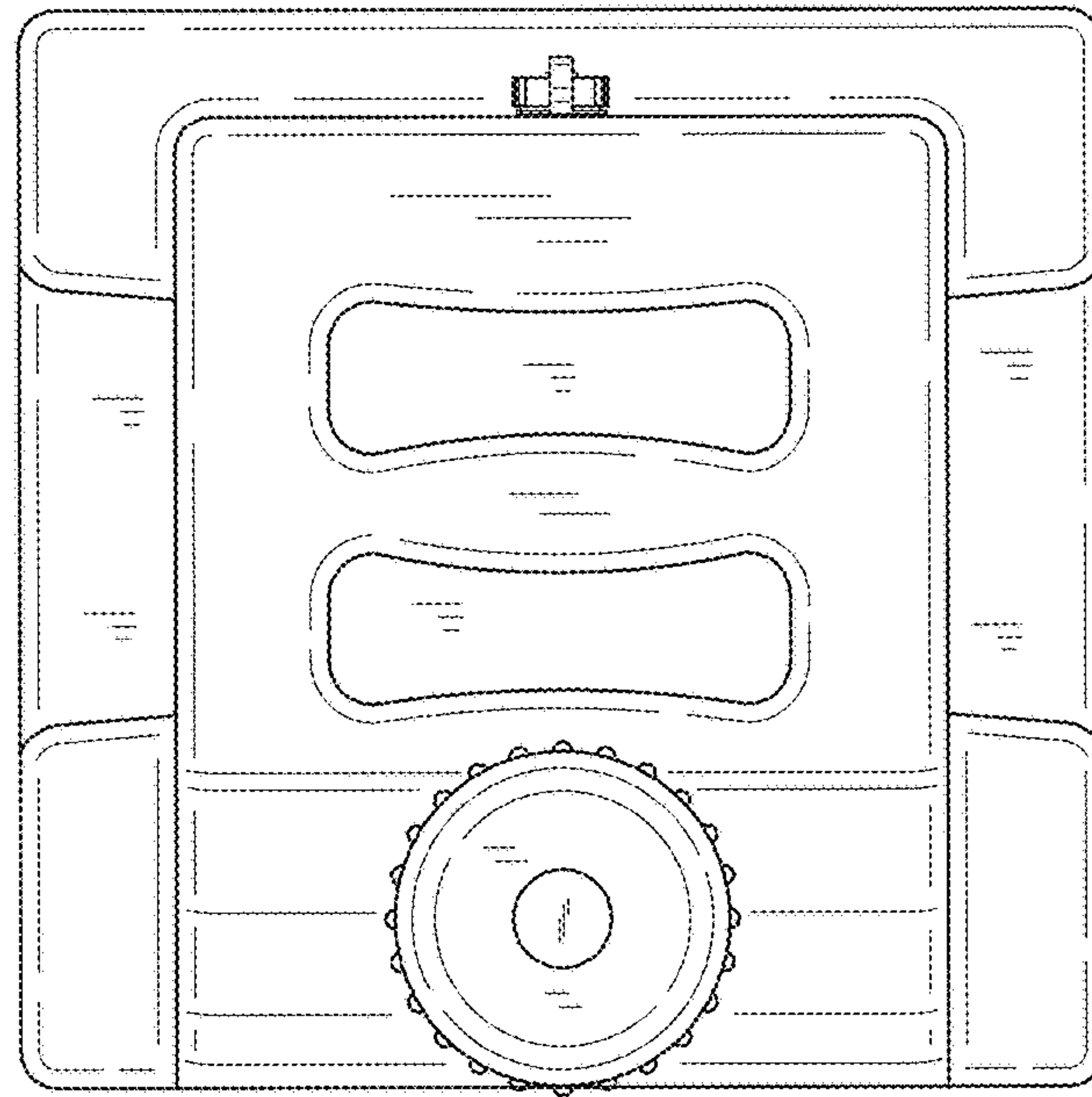


FIG. 4

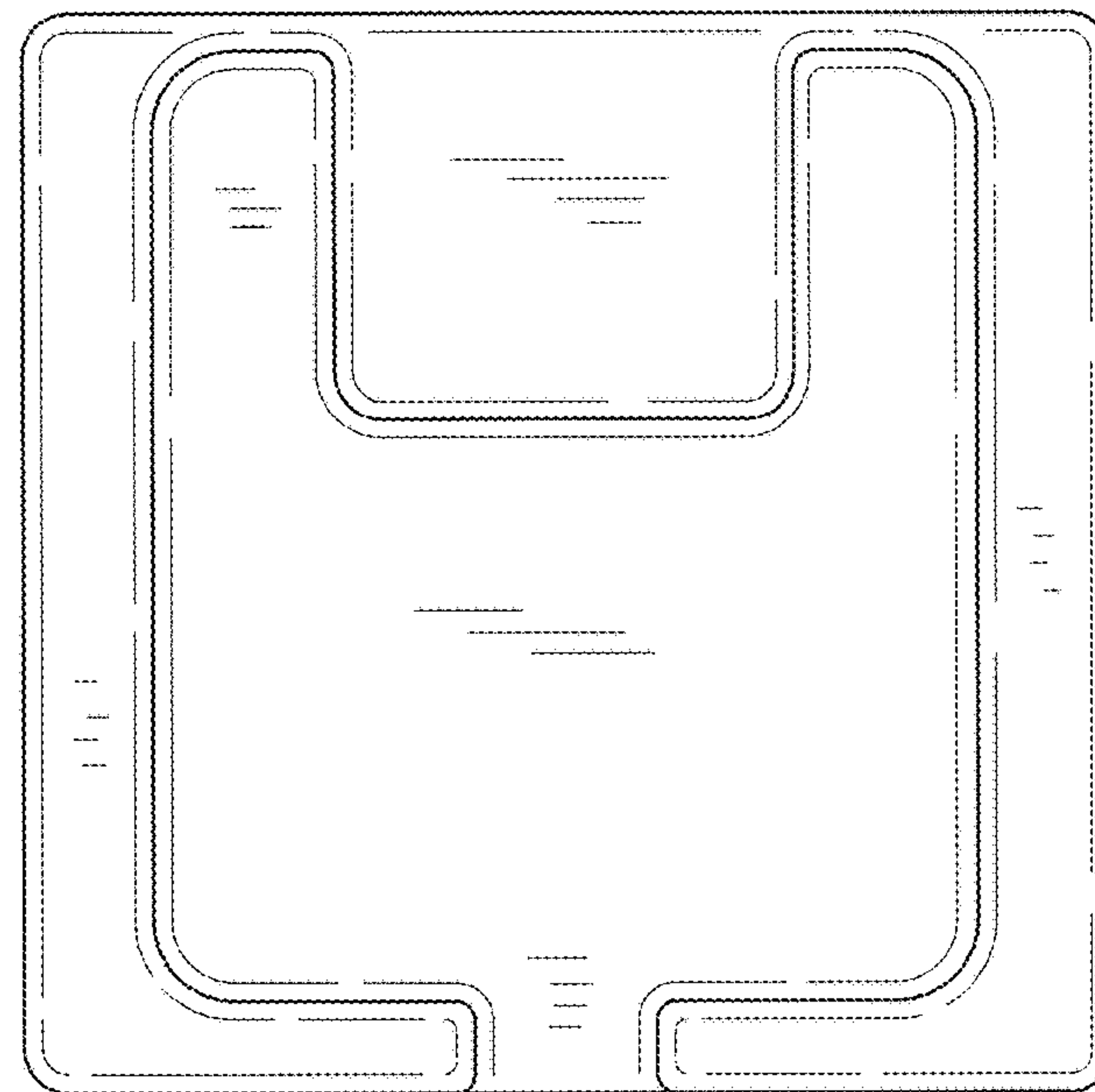


FIG. 5

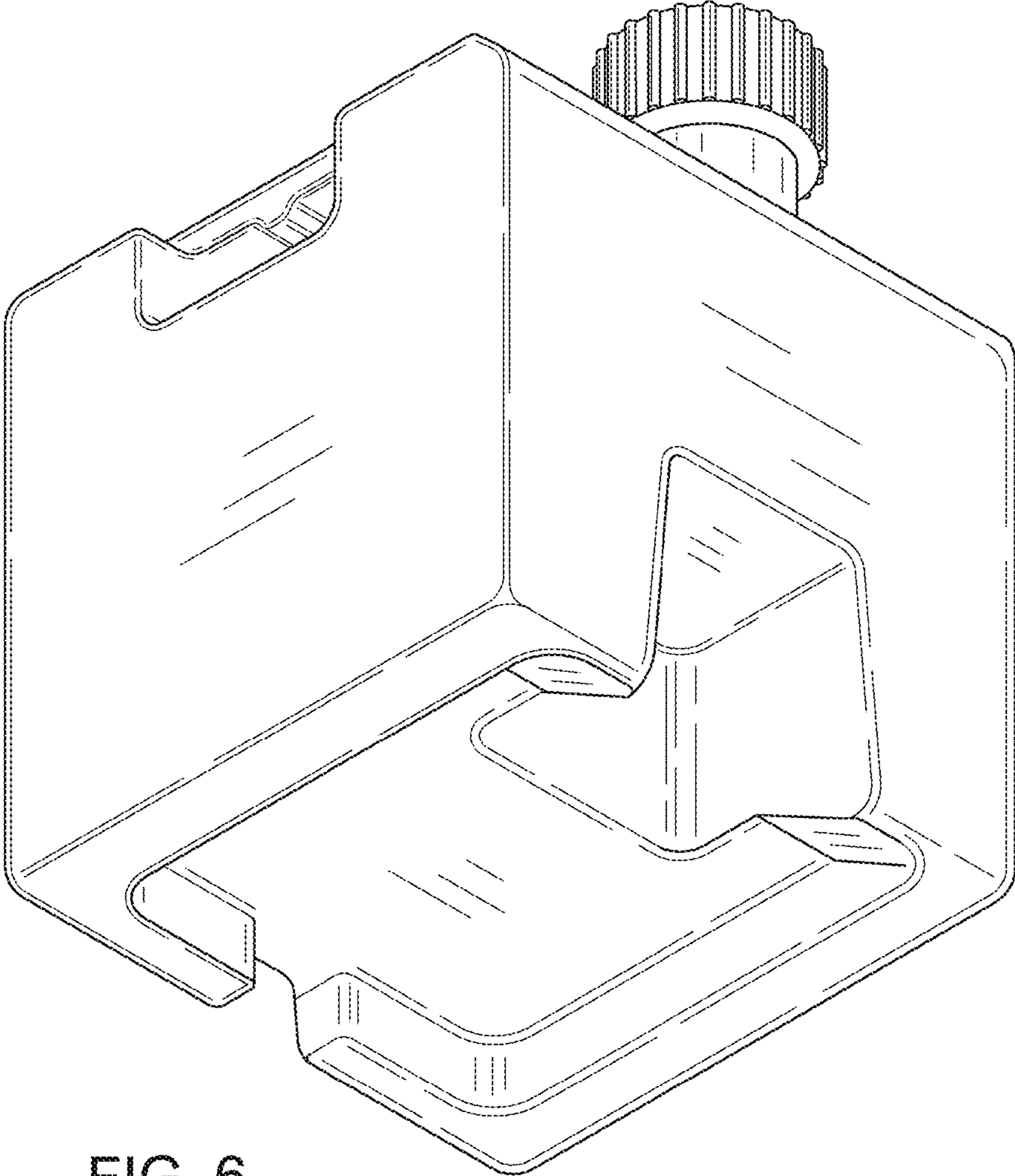


FIG. 6

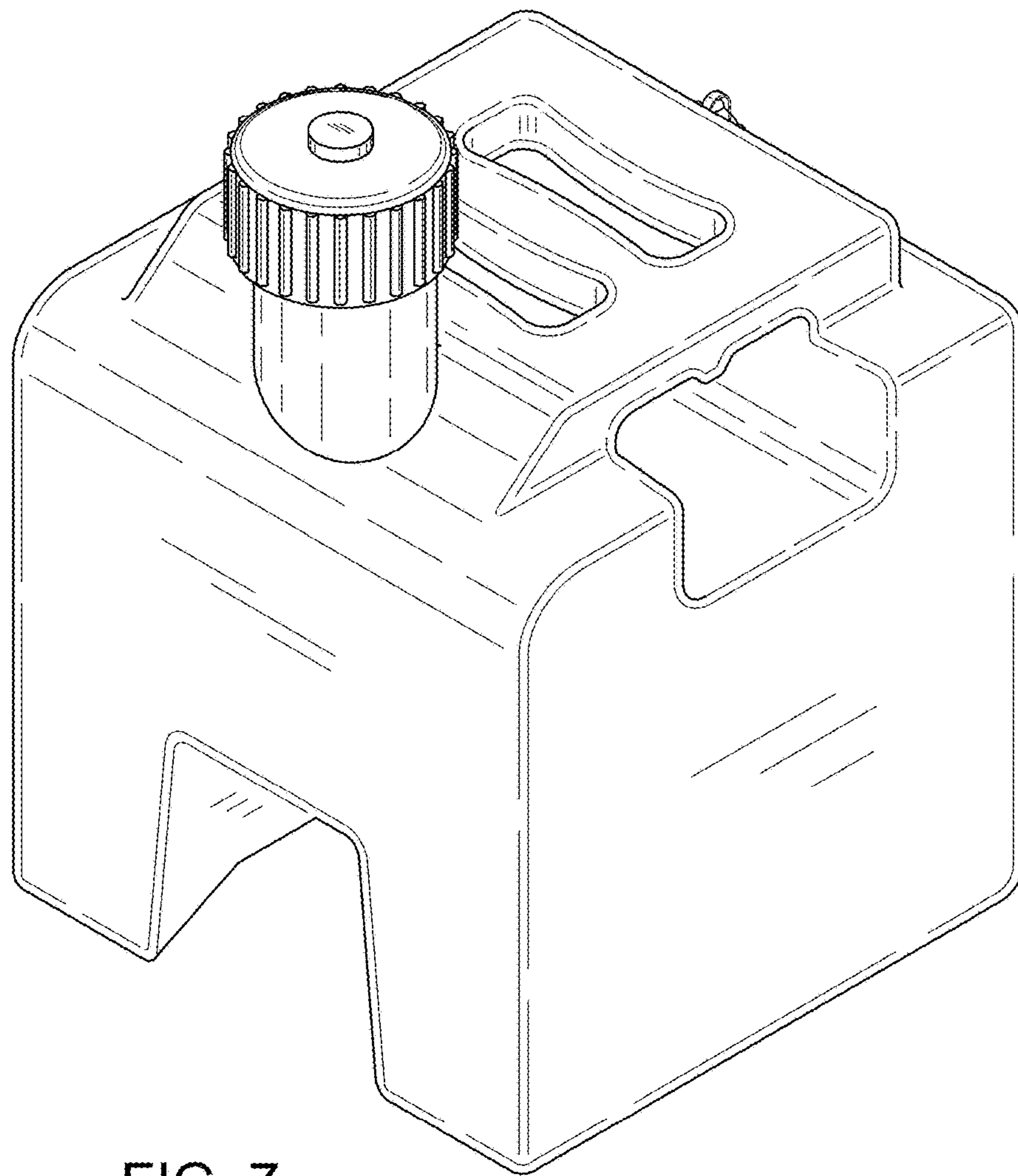


FIG. 7