



US00D858287S

(12) **United States Design Patent** (10) **Patent No.:** **US D858,287 S**  
**Hines** (45) **Date of Patent:** **\*\* Sep. 3, 2019**

- (54) **METAL BOTTLE**
- (71) Applicant: **Ball Corporation**, Broomfield, CO (US)
- (72) Inventor: **Linda A. Hines**, Westminster, CO (US)
- (73) Assignee: **Ball Corporation**, Broomfield, CO (US)
- (\*\*) Term: **15 Years**
- (21) Appl. No.: **29/636,500**
- (22) Filed: **Feb. 8, 2018**

**Related U.S. Application Data**

- (62) Division of application No. 29/502,312, filed on Sep. 15, 2014, now Pat. No. Des. 812,478.
- (51) **LOC (12) Cl.** ..... **09-01**
- (52) **U.S. Cl.**  
USPC ..... **D9/500; D9/764**
- (58) **Field of Classification Search**  
USPC ..... D9/500, 502-504, 516, 530, 537-540, D9/549, 557-558, 715, 719, 763-764, D9/772; D24/197  
CPC ... B65D 1/00; B65D 1/02; B65D 1/12; B65D 1/14; B65D 1/16; B65D 1/165; B65D 23/00; B65D 81/00; B65D 2501/00; B65D 2501/0009  
See application file for complete search history.

**References Cited**

**U.S. PATENT DOCUMENTS**

- D9,991 S 5/1877 Pinckney
- D13,323 S 9/1882 Winn
- D31,681 S \* 10/1899 Miller ..... D9/558
- D33,364 S 10/1900 Lindemeyr
- D35,068 S 9/1901 Lorenz
- 1,023,114 A 4/1912 Mills

- 1,079,403 A 11/1913 Crecelius
  - 1,338,494 A 4/1920 Daniel
  - D57,672 S \* 4/1921 Knowles ..... D9/500
  - D58,203 S 6/1921 Anderson
  - D67,463 S 6/1925 Johnson
  - 1,728,883 A 9/1929 Simon
- (Continued)

**FOREIGN PATENT DOCUMENTS**

- AU 2003290205 3/2004
  - CA 2348438 3/2001
- (Continued)

**OTHER PUBLICATIONS**

U.S. Appl. No. 29/554,976, filed Feb. 17, 2016, Ross et al.  
(Continued)

*Primary Examiner* — Dana Meyrow  
(74) *Attorney, Agent, or Firm* — Sheridan Ross P.C.

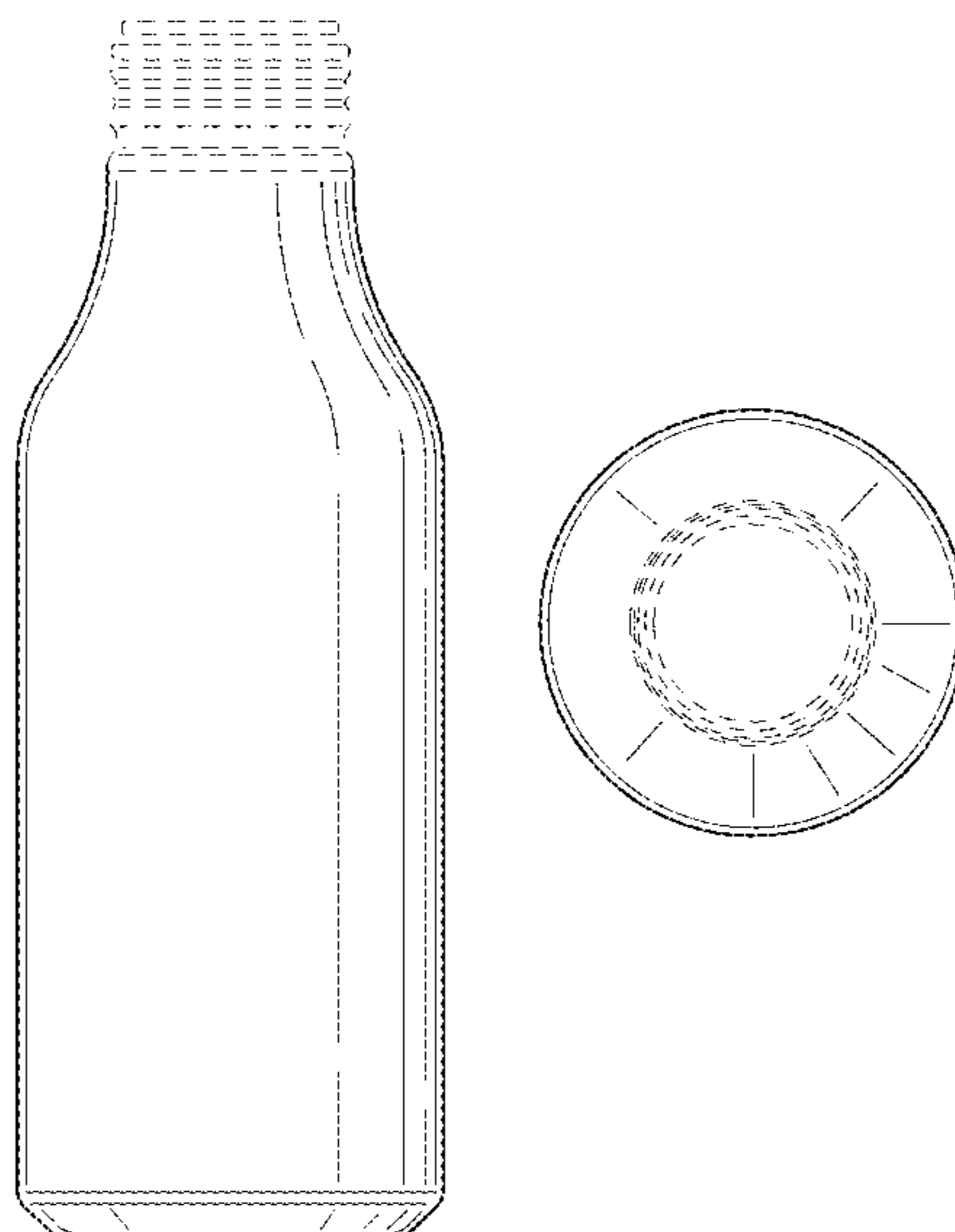
(57) **CLAIM**

The ornamental design for a metal bottle, as shown and described.

**DESCRIPTION**

FIG. 1 is a front perspective view of the metal bottle;  
FIG. 2 is a front elevation view thereof;  
FIG. 3 is a top plan view thereof;  
FIG. 4 is a bottom plan view thereof;  
FIG. 5 is a front perspective view of a metal bottle according to an alternative embodiment;  
FIG. 6 is a front elevation view of the embodiment of FIG. 5;  
FIG. 7 is a top plan view of the embodiment of FIG. 5; and,  
FIG. 8 is a bottom plan view of the embodiment of FIG. 5.  
The broken lines in the drawings illustrate the portions of the metal bottle that form no part of the claim.

**1 Claim, 4 Drawing Sheets**





(56)

References Cited

U.S. PATENT DOCUMENTS

D675,527 S 2/2013 Rogers et al.  
 D677,169 S 3/2013 Roos et al.  
 D678,772 S 3/2013 Johnson et al.  
 D684,059 S 6/2013 Johnson et al.  
 D684,483 S 6/2013 Jahina et al.  
 D686,078 S 7/2013 Johnson et al.  
 D686,079 S 7/2013 Johnson et al.  
 D687,314 S 8/2013 Armani  
 D687,710 S 8/2013 Johnson et al.  
 D688,949 S 9/2013 Johnson et al.  
 D695,614 S 12/2013 Crowe  
 D696,116 S 12/2013 Jacober et al.  
 D696,945 S 1/2014 Newman  
 D696,946 S 1/2014 Hines  
 D697,404 S 1/2014 Johnson et al.  
 D697,407 S 1/2014 Hines  
 D697,409 S 1/2014 Wilson  
 D701,460 S \* 3/2014 Adams ..... D9/516  
 D702,553 S 4/2014 Jentzsch et al.  
 D704,557 S 5/2014 Hamill  
 D707,569 S 6/2014 Stephens et al.  
 D708,522 S 7/2014 Santamaria et al.  
 D713,267 S 9/2014 Stephens et al.  
 D722,508 S 2/2015 Hirsberg  
 D725,471 S 3/2015 Jacober et al.  
 D725,472 S 3/2015 Jacober et al.  
 D734,154 S 7/2015 Johnson et al.  
 D739,731 S 9/2015 Jones  
 D739,732 S 9/2015 Jones  
 D744,833 S 12/2015 Cotton  
 D745,396 S 12/2015 Jahina et al.  
 D745,397 S 12/2015 Gogola et al.  
 D745,398 S 12/2015 Cotton  
 D745,399 S 12/2015 Cotton  
 D759,429 S \* 6/2016 Rosbach ..... A47G 19/2288  
 D765,511 S 9/2016 George  
 D783,410 S \* 4/2017 Bertaux ..... D9/690  
 D796,331 S \* 9/2017 Eyal ..... D9/500  
 D799,900 S 10/2017 Santos et al.  
 D809,390 S 2/2018 Hines  
 D812,478 S 3/2018 Hines  
 D815,946 S 4/2018 Thompson et al.  
 D819,444 S 6/2018 Adams et al.  
 D832,058 S \* 10/2018 Pisarevsky ..... D7/608  
 2003/0102278 A1 6/2003 Chupak  
 2004/0026352 A1 2/2004 Hidalgo et al.  
 2004/0035871 A1 2/2004 Chupak  
 2005/0127077 A1 6/2005 Chupak  
 2007/0017089 A1 1/2007 Hosoi  
 2007/0051687 A1 3/2007 Olson  
 2008/0011702 A1 \* 1/2008 Walsh ..... B65D 1/0207  
 215/44  
 2008/0047922 A1 2/2008 Olson et al.  
 2009/0261101 A1 10/2009 Forrest et al.  
 2009/0294397 A1 \* 12/2009 Wu ..... B65D 81/3222  
 215/6  
 2010/0252524 A1 10/2010 Dubs et al.  
 2010/0282706 A1 11/2010 Gilliam  
 2011/0017700 A1 1/2011 Patcheak  
 2015/0060444 A1 3/2015 Wang et al.  
 2015/0096913 A1 4/2015 Kitcher et al.  
 2015/0147497 A1 5/2015 Brouwer  
 2017/0015582 A1 1/2017 Brouwer

FOREIGN PATENT DOCUMENTS

CA 2352747 4/2001  
 CA 2495205 3/2004  
 CN 1675010 9/2005  
 DE 60218219 10/2007  
 EP 0381322 8/1990  
 EP 0949216 10/1999  
 EP 1461262 9/2004

EP 1531952 8/2006  
 EP 1731239 9/2009  
 EP 2119515 11/2009  
 JP HJ24042263 10/2012  
 RU 83190 10/2012  
 WO WO 88/08398 11/1988  
 WO WO 95/10487 4/1995  
 WO WO 99/38914 8/1999  
 WO DM 050584 12/1999  
 WO WO 01/15829 3/2001  
 WO DM/062281 12/2002  
 WO DM/063368 4/2003  
 WO WO 03/047991 6/2003  
 WO WO 2004/018121 3/2004  
 WO WO 2004/039511 5/2004  
 WO WO 2004/106426 12/2004  
 WO WO 2008/103629 8/2008  
 WO DM/065799 7/2009  
 WO WO 2009/131994 10/2009  
 WO WO 2011/053776 5/2011

OTHER PUBLICATIONS

U.S. Appl. No. 29/631,484, filed Dec. 29, 2017, Hines.  
 "100% Recyclable—Bottlecan by CCL Container," at [www.bottlecan.com/recycle.html](http://www.bottlecan.com/recycle.html), Jun. 22, 2011, 1 page.  
 "Aluminum Beer Bottles," at [www.bottless.org/Aluminum\\_Beer\\_Bottles\\_s/566.htm](http://www.bottless.org/Aluminum_Beer_Bottles_s/566.htm), Jun. 22, 2011, 2 pages.  
 "Aluminum bottles for Wine Adding Value to the Drinking Experience," [BestInPackaging.com](http://BestInPackaging.com), Jun. 20, 2009, 10 pages [retrieved from: <https://thebestinpackaging.com/2009/06/20/aluminium-bottles-for-wine-adding-value-to-the-drinking-experience/>].  
 "Aluminum Wine bottles," [Aluminumbottles.com](http://Aluminumbottles.com), posted by Elemental Container, Apr. 22, 2010, 3 pages [retrieved from: <http://www.aluminumbottles.com/2010/04/22/aluminum-wine-bottles/>].  
 "Beauty Water," [youtube.com](http://youtube.com), posted Jun. 3, 2012, 2 pages [retrieved online from: [www.youtube.com/watch?v=mLJqyQGBB0U](http://www.youtube.com/watch?v=mLJqyQGBB0U)].  
 "Design & print, print processes," [rexam.com](http://rexam.com), 1 page [retrieved online on Jul. 11, 2017 from: [printguides.rexam.com/print-processes/fusion-bottles/](http://printguides.rexam.com/print-processes/fusion-bottles/)].  
 "Exal C2C, 8.5 oz, 2006, Exal Corporation," Test and Prototypes, The Aluminum Bottle CANnoisseurs 'ABC' Chapter 169 of the Brewery Collectibles Club of America, U.S. Soda Bottle Listing, [ABCchapter.com](http://ABCchapter.com), 2 pages [retrieved Jun. 1, 2017 from: <http://www.abcchapter.com/bottles/soda/us/sodaus.asp>].  
 "Fusion bottles overview," [rexam.com](http://rexam.com), 1 page [retrieved online on Jul. 11, 2017 from: [printguides.rexam.com/print-processes/fusion-bottles/](http://printguides.rexam.com/print-processes/fusion-bottles/)].  
 "Kaptive Coca Leaf/Classic, 8.45 oz redem, 2011, New World Products," Kaptive, The Aluminum Bottle CANnoisseurs 'ABC' Chapter 169 of the Brewery Collectibles Club of America, U.S. Soda Bottle Listing, [ABCchapter.com](http://ABCchapter.com), 3 pages, [retrieved Jun. 1, 2017 from: <http://www.abcchapter.com/bottles/soda/us/sodaus.asp>].  
 "Pepsi, 8.5 oz, 2014, Test Bottle," Pepsi, The Aluminum Bottle CANnoisseurs 'ABC' Chapter 169 of the Brewery Collectibles Club of America, U.S. Soda Bottle Listing, [ABCchapter.com](http://ABCchapter.com), 6 pages, retrieved Jun. 1, 2017 [retrieved from: <http://www.abcchapter.com/bottles/soda/us/sodaus.asp>].  
 "Sprite, 8.5 oz redem, 2009," Sprite, the Aluminum Bottle CANnoisseurs 'ABC' Chapter 169 of the Brewery Collectibles Club of America, U.S. Soda Bottle Listing, [ABCchapter.com](http://ABCchapter.com), 2 pages, [retrieved Jun. 1, 2017 from: <http://www.abcchapter.com/bottles/soda/us/sodaus.asp>].  
 "Vio," (see document for specific types, Vio, The Aluminum Bottle CANnoisseurs 'ABC' Chapter 169 of the Brewery Collectibles Club of America, U.S. Soda Bottle Listing, [ABCchapter.com](http://ABCchapter.com), 9 pages [retrieved Jun. 1, 2017 from: <http://www.abcchapter.com/bottles/soda/us/sodaus.asp>].  
 Sanina "Pepsi Has Unveiled a New Aluminum Bottle in Italy," POPSOP, May 14, 2012, 3 pages [retrieved online from: [popsop.com/2012/05/pepsi-has-unveiled-a-new-aluminum-bottle-in\\_italy/](http://popsop.com/2012/05/pepsi-has-unveiled-a-new-aluminum-bottle-in_italy/)].  
 Wikipedia, "Aluminum bottle," at [www.en.wikipedia.org/wiki/Aluminium\\_bottle](http://www.en.wikipedia.org/wiki/Aluminium_bottle), Jun. 22, 2011, 4 pages.

(56)

**References Cited**

OTHER PUBLICATIONS

Official Action for Canada Patent Application No. 161170, dated Jul. 28, 2015 2 pages.

Notice of Allowance with English Translation for China Patent Application No. 201530059029.2, dated Jun. 23, 2015 4 pages.

Official Action for U.S. Appl. No. 29/502,312, dated Jun. 15, 2017 8 pages.

Notice of Allowance for U.S. Appl. No. 29/502,312, dated Nov. 7, 2017 7 pages.

Official Action for U.S. Appl. No. 29/502,312, dated Jun. 23, 2016, 7 pages Restriction Requirement.

\* cited by examiner

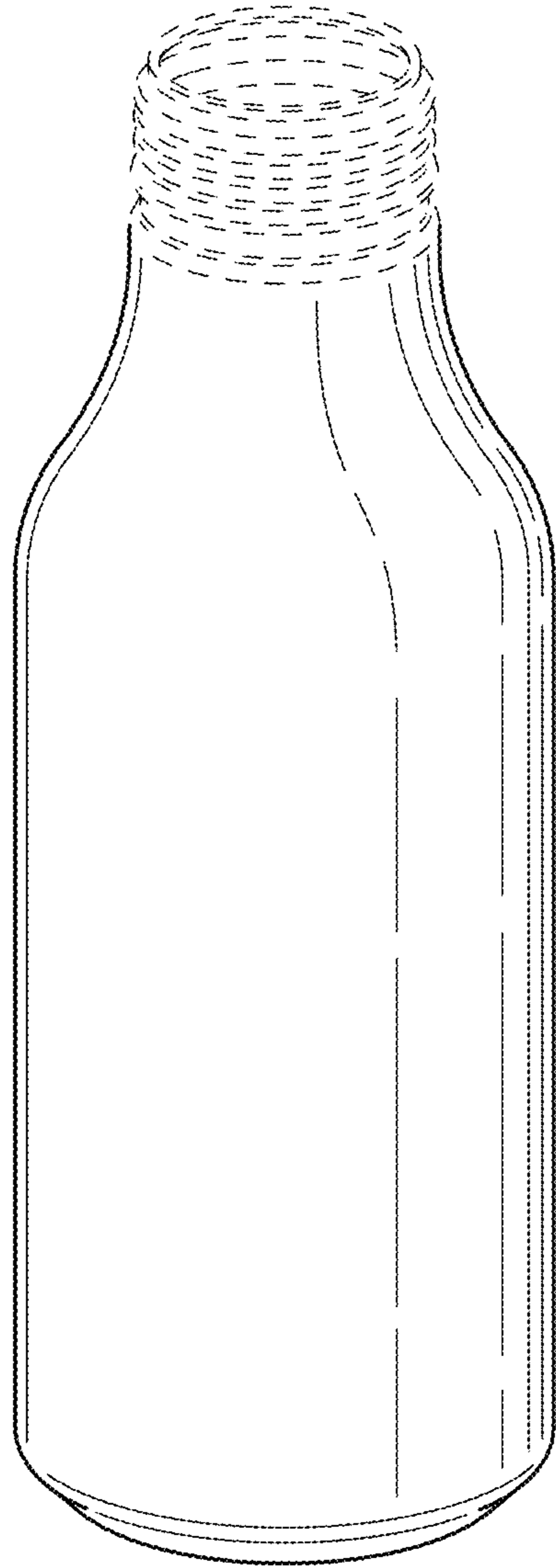


FIG. 1

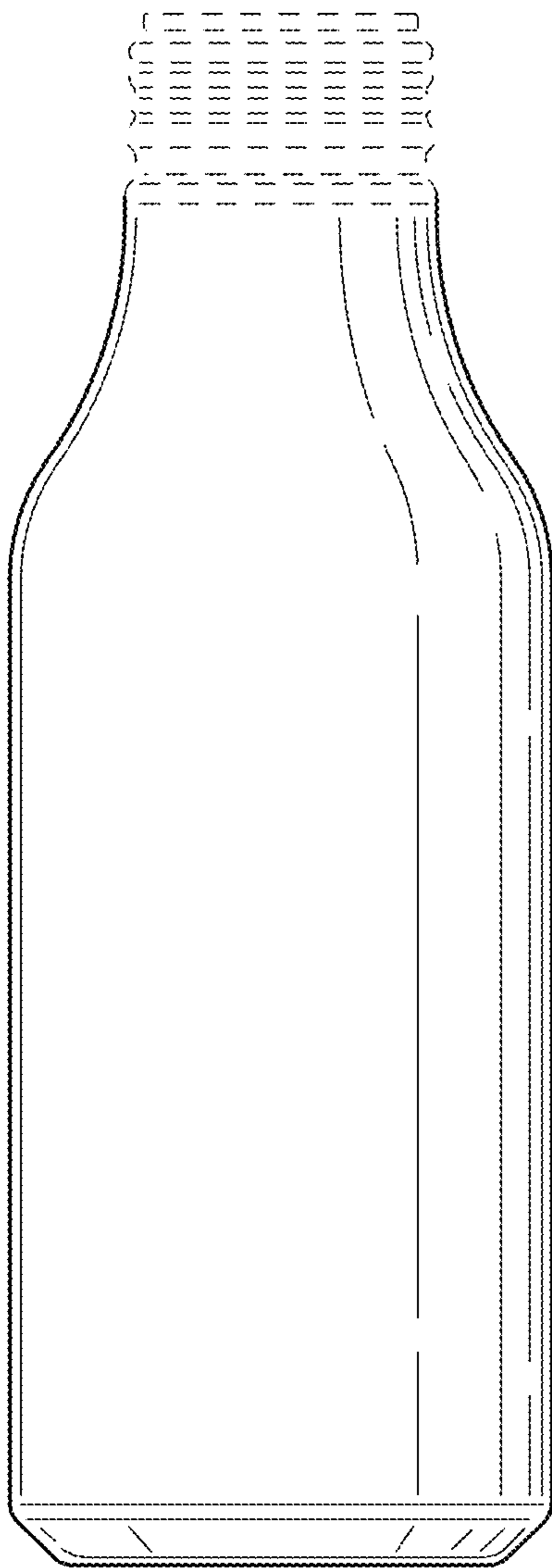


FIG. 2

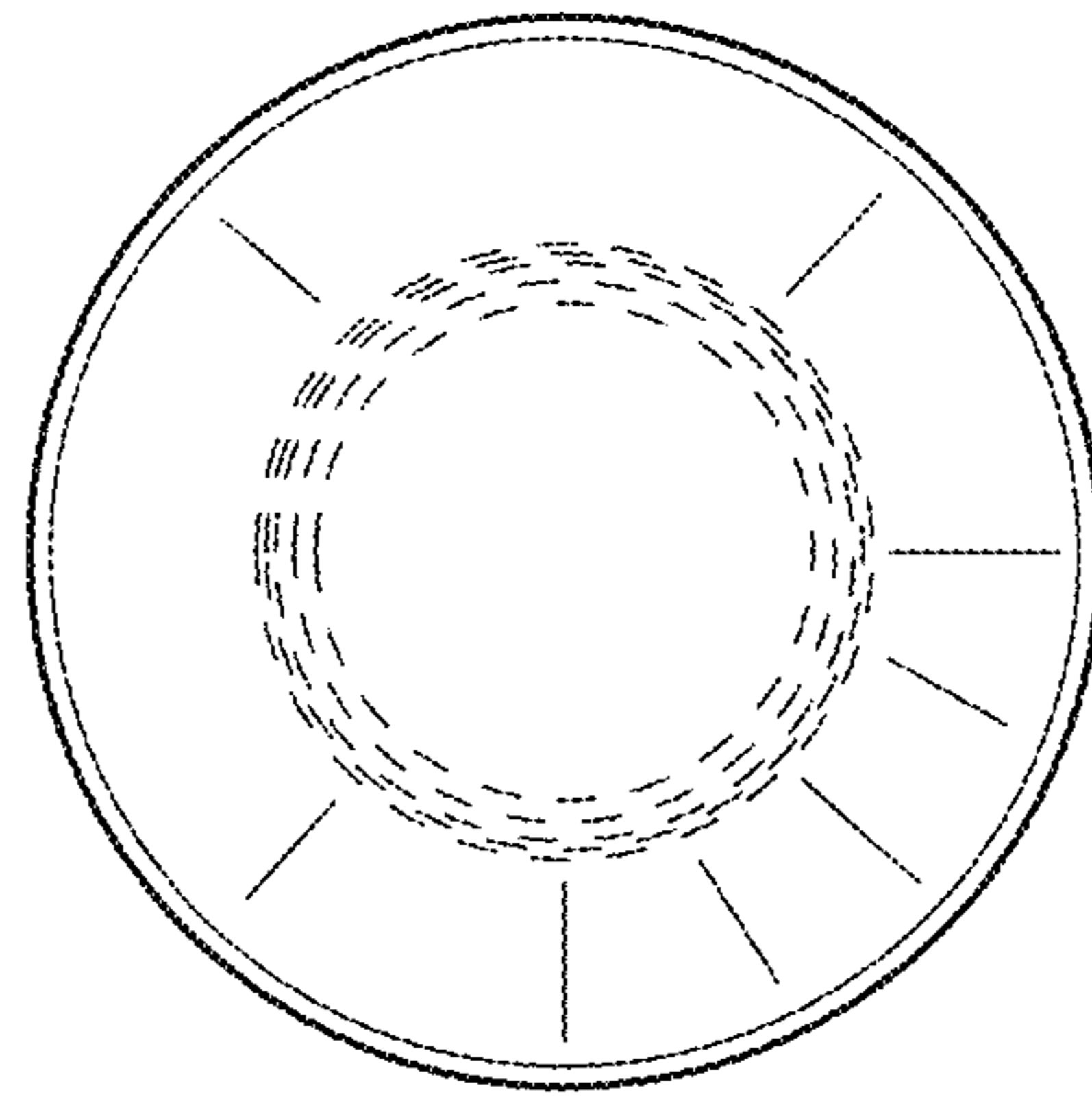


FIG. 3

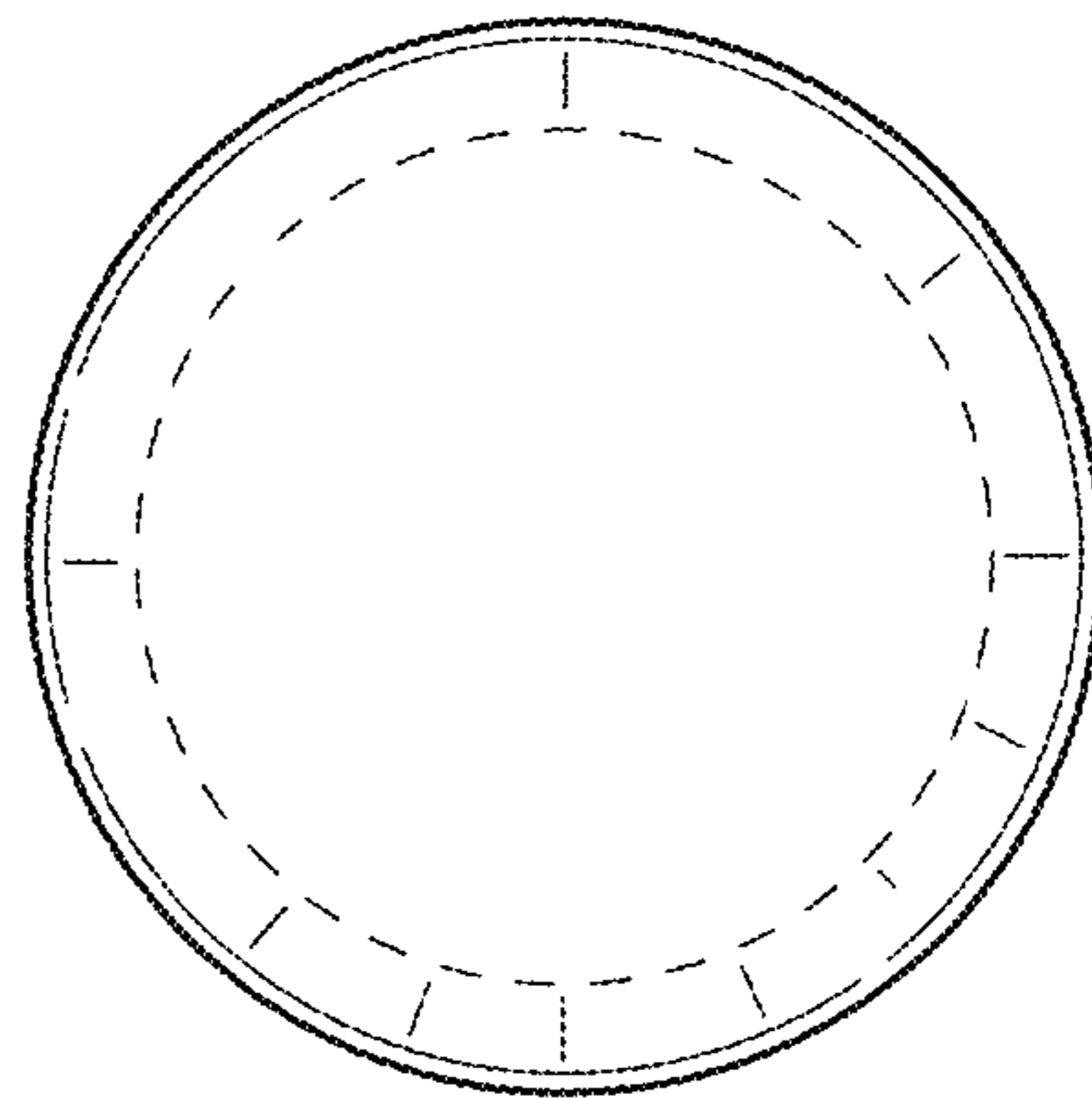


FIG. 4

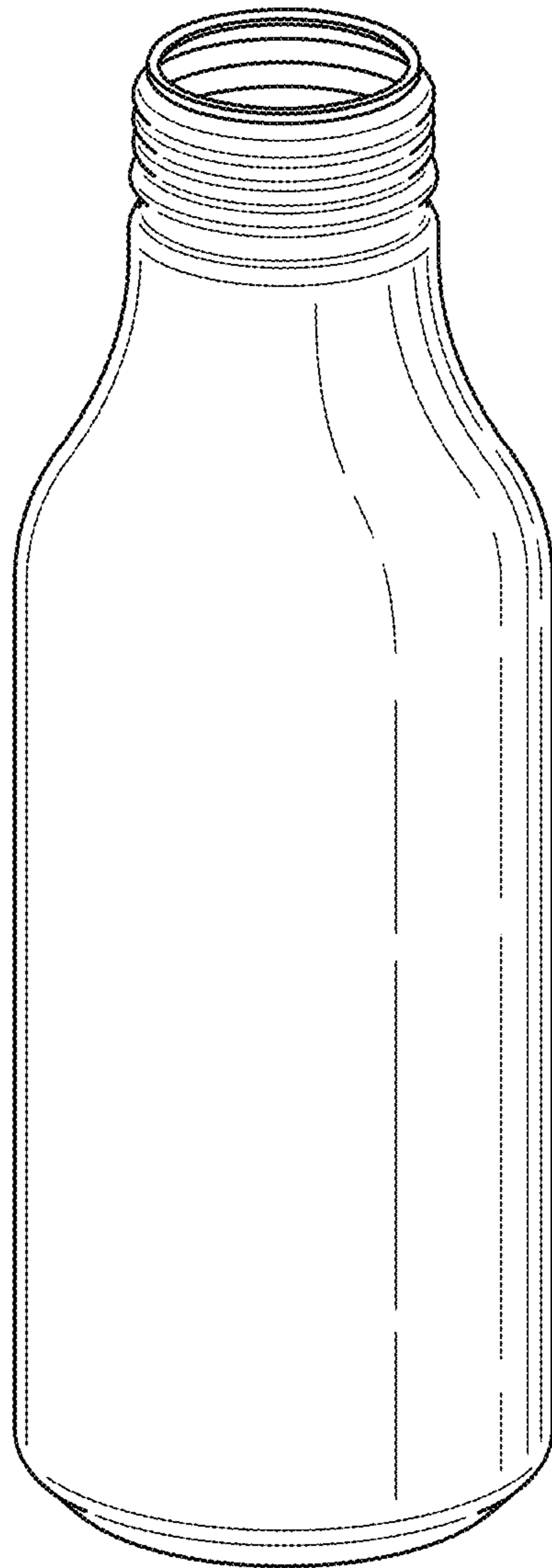


FIG. 5

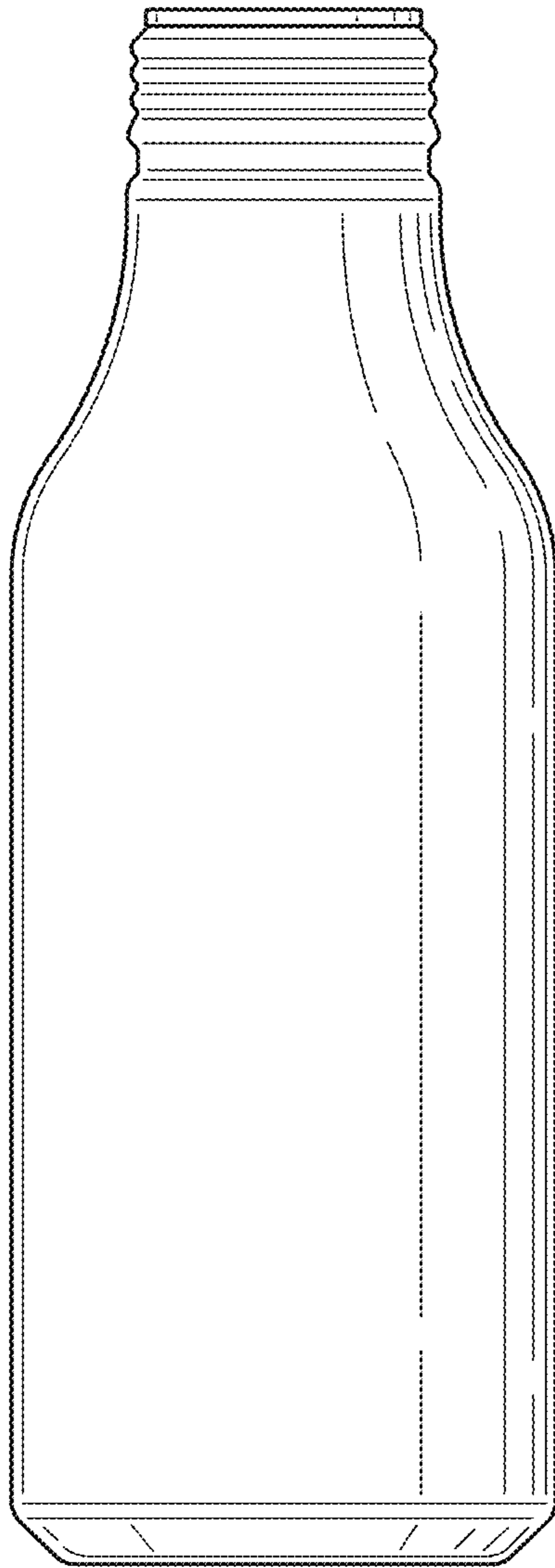


FIG. 6

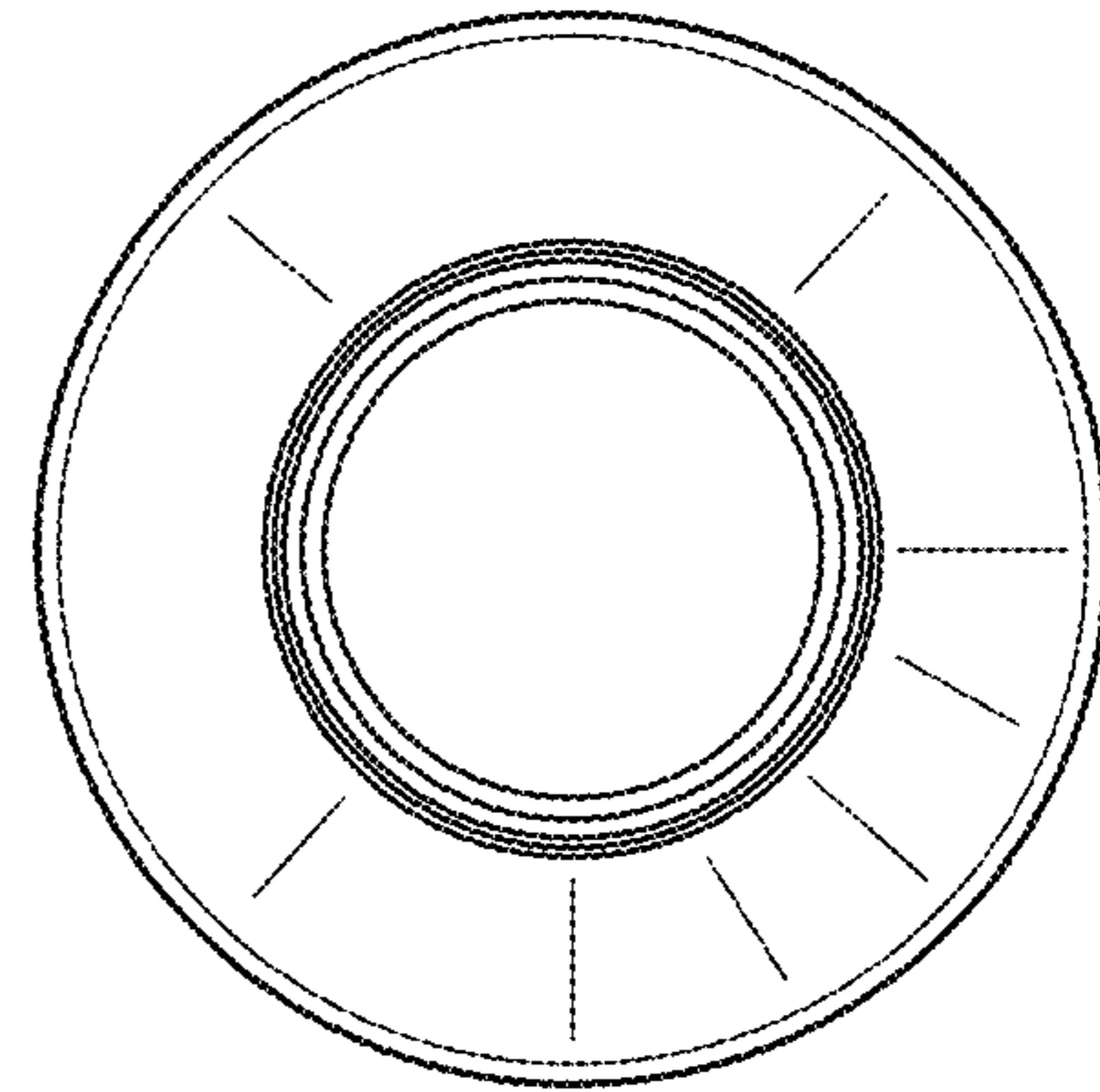


FIG. 7

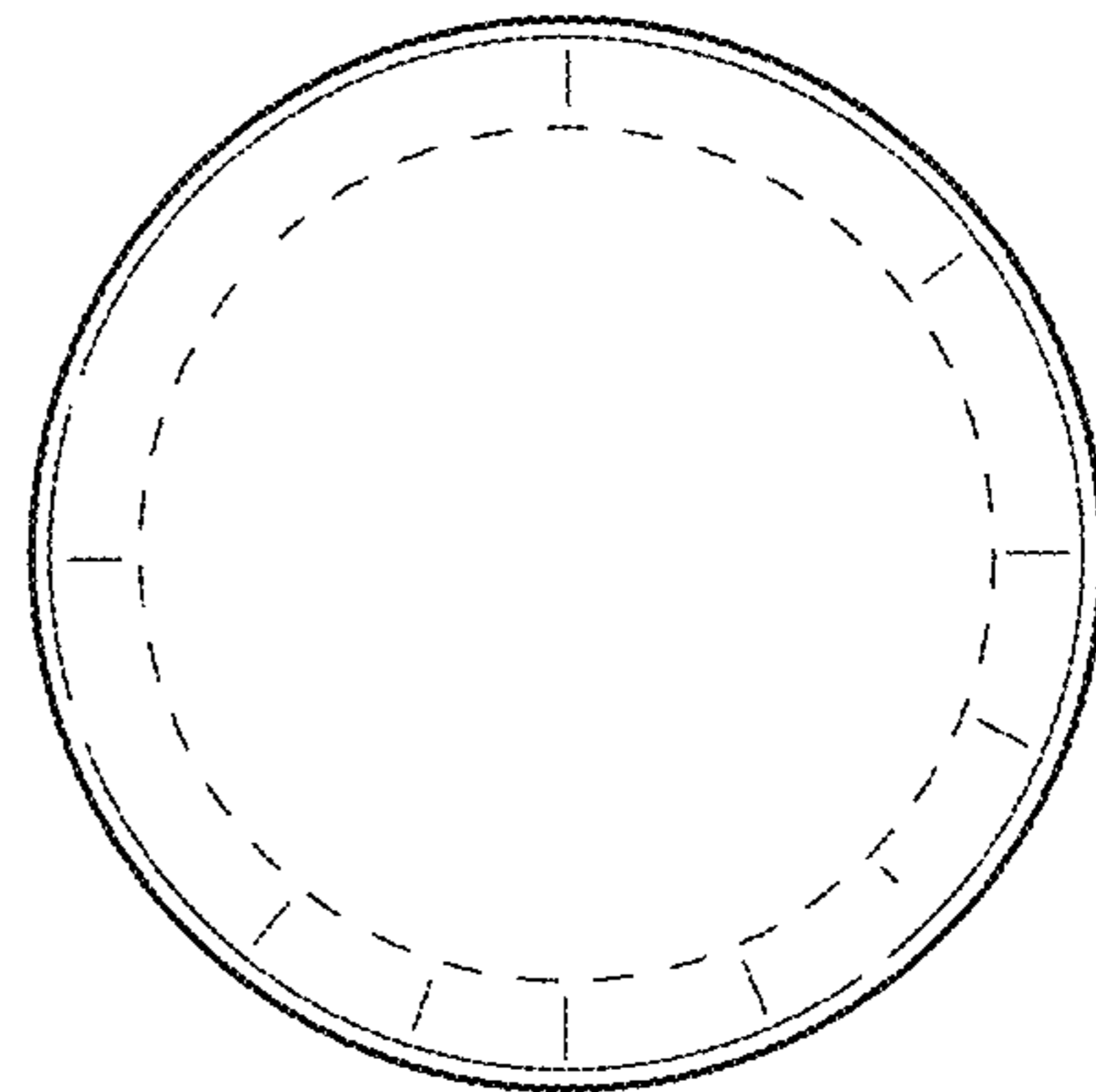


FIG. 8