



US00D858286S

(12) **United States Design Patent**
Blischak et al.

(10) **Patent No.:** **US D858,286 S**
(45) **Date of Patent:** **** Sep. 3, 2019**

(54) **STRUCTURED PACKAGING MATERIAL**

(71) Applicant: **Koch Knight, LLC**, Canton, OH (US)
(72) Inventors: **David Blischak**, Akron, OH (US); **Paul I. Rufener**, Rittman, OH (US)
(73) Assignee: **Koch Knight, LLC**, Canton, OH (US)
(**) Term: **15 Years**

(21) Appl. No.: **29/610,768**
(22) Filed: **Jul. 14, 2017**
(51) **LOC (12) Cl.** **09-07**
(52) **U.S. Cl.**
USPC **D9/456**

(58) **Field of Classification Search**

USPC D3/304, 318, 319; D7/387, 388, 391, D7/392.1, 396.1, 396.6, 403, 409, 511, D7/550.1, 553.1, 553.2, 566, 568, 601, D7/602, 614, 615, 629, 701, 703, 707, D7/708; D9/414, 416, 424, 425, 426, D9/427, 428, 430, 432, 433, 434, 435, D9/436, 456, 601, 602, 701, 703, 707, D9/708, 715, 721, 732, 736, 756, 761; D6/382, 383, 648, 672, 675, 675.2, 682.3, D6/683; D20/43, 44; D25/119, 120, D25/121, 122, 123, 126, 129, 138, 142; D34/38; D23/365, 386, 393, 397
CPC E05F 5/06; E04F 19/02; B65B 11/045; B65B 11/52; B65B 31/028; B65D 71/04; B65D 71/70; B65D 81/02; B65D 81/054; B65D 81/055; B65D 81/2023; B65D 81/05; B65D 85/34; B65D 85/36; B65D 85/40; B65D 85/46; B65D 5/5035; B65D 5/0004;

(Continued)

(56) **References Cited**

U.S. PATENT DOCUMENTS

2,746,892 A * 5/1956 Elfving B29C 70/00
220/592.21
2,955,063 A * 10/1960 Driscoll E04B 1/7654
206/321

(Continued)

OTHER PUBLICATIONS

Ceramic Structured Packaging Koch Knight: Site Visited [Mar. 27, 2019]. Available from Internet URL: https://www.kochknight.com/Products/Mass-Transfer-Packing/Structured-Media.*

(Continued)

Primary Examiner — Jennifer Rivard
Assistant Examiner — Catherine S Posthauer

(57) **CLAIM**

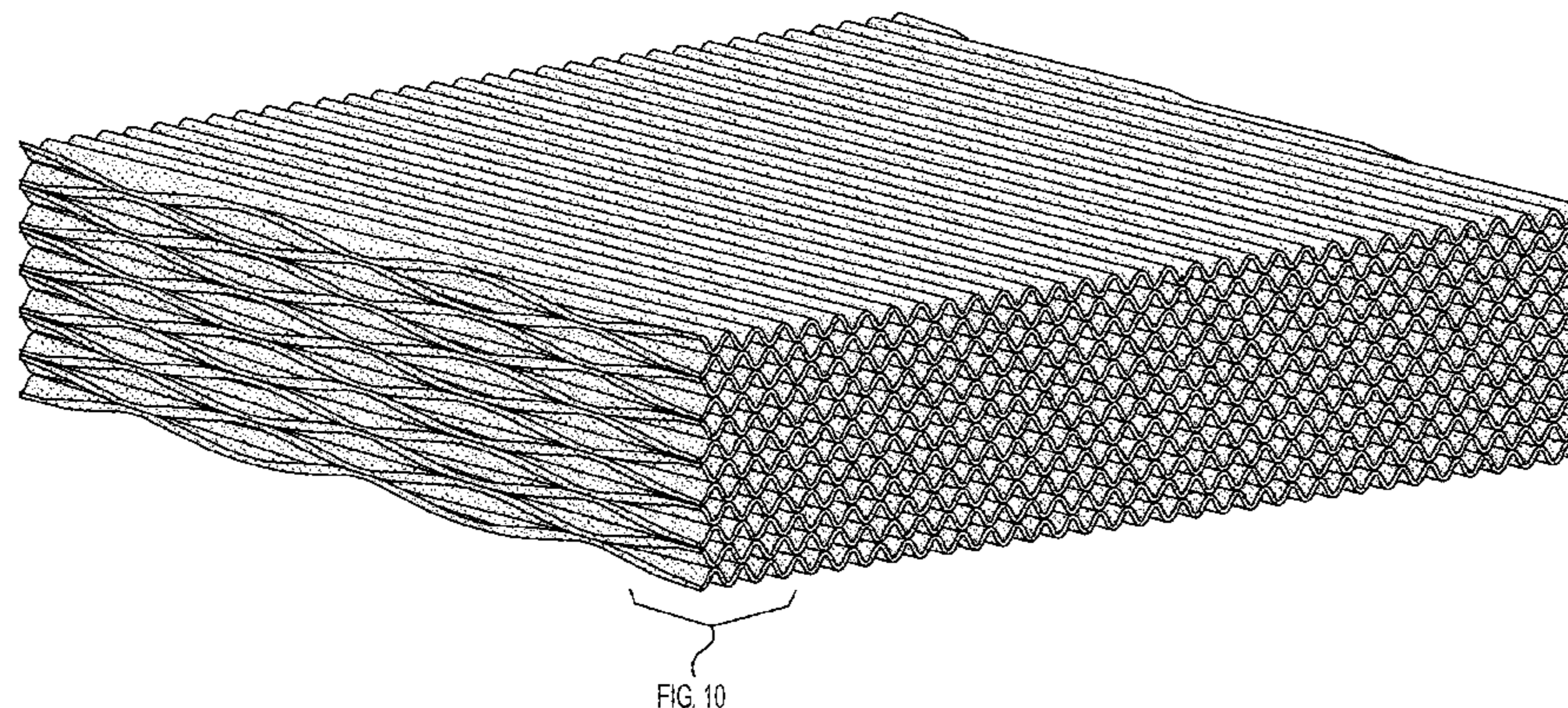
The ornamental design for a structured packaging material, as shown and described.

DESCRIPTION

FIG. 1 is a front left top perspective view of a structured packaging material showing our new design;
FIG. 2 is a top plan thereof;
FIG. 3 is a bottom plan view thereof;
FIG. 4 is a front elevation view thereof;
FIG. 5 is a rear elevation view thereof;
FIG. 6 is a left side view thereof;
FIG. 7 is a right side view thereof;
FIG. 8 is a front left top perspective view thereof, shown in a position of use with exemplary structured packaging material;
FIG. 9 is a front left top perspective view thereof, shown in a position of use with additional exemplary structured packaging material;
FIG. 10 is an enlarged view of a portion of the front top left perspective view shown in FIG. 1; and,
FIG. 11 is an enlarged view of a portion of the front elevation view shown in FIG. 4.

The broken lines represent environmental subject matter of exemplary structured packaging material and form no part of the claim.

1 Claim, 11 Drawing Sheets



(58) **Field of Classification Search**

CPC B65D 5/4212; B65D 5/503; B65D 5/04;
 B65D 5/105; B65D 65/42; B65D 65/461;
 B65D 43/16; B65D 43/18; B65D
 75/5855; B65D 1/36; B65D 21/0212;
 B65D 21/0224; B32B 3/12; A47G 19/30;
 E04B 2001/7691; A47J 37/10; G04D
 1/0021; G04D 1/0071; G04D 1/066;
 A47F 7/281; B01D 46/00; B01D
 46/0004; B01D 27/04; B01D 27/06;
 B01D 39/00

See application file for complete search history.

(56) **References Cited**

U.S. PATENT DOCUMENTS

3,041,219 A * 6/1962 Steck E04B 1/80
 156/335
 3,574,109 A * 4/1971 Yoshikawa B32B 15/08
 156/183
 D317,210 S * 5/1991 Rodriguez D25/138
 5,826,716 A * 10/1998 Wilson B65D 71/70
 206/304
 6,071,593 A 6/2000 Lang et al.
 D632,811 S * 2/2011 Canales B32B 3/30
 D25/138
 D654,599 S * 2/2012 Cupec D25/138
 D657,858 S * 4/2012 Platt D23/365
 D657,859 S * 4/2012 Platt D23/365
 8,192,832 B1 6/2012 Lang
 D663,046 S * 7/2012 Conterno D25/138
 D676,711 S * 2/2013 Toufayan D7/553.2
 D754,404 S * 4/2016 Jansen D30/119
 D764,040 S * 8/2016 Cho D23/365
 D802,804 S * 11/2017 Eklund D25/138
 D824,049 S * 7/2018 Mussini D25/138
 2003/0096548 A1 * 5/2003 Groitzsch A44B 18/0057
 442/268
 2004/0185211 A1 * 9/2004 Fay E04B 1/66
 428/43
 2004/0197530 A1 * 10/2004 Gritti B32B 3/28
 428/182
 2004/0238276 A1 * 12/2004 Matias B32B 7/02
 181/290
 2006/0177635 A1 * 8/2006 Pepe B32B 3/12
 428/174
 2008/0286552 A1 * 11/2008 Kordelin B21D 47/00
 428/223

2011/0031008 A1 * 2/2011 Kagawa B32B 3/30
 174/377
 2011/0212293 A1 * 9/2011 Han B32B 5/02
 428/116
 2012/0237717 A1 * 9/2012 Dunn B32B 3/12
 428/83
 2013/0240220 A1 * 9/2013 Loureiro H05K 5/0213
 169/45
 2013/0337219 A1 * 12/2013 Shields B32B 3/12
 428/76
 2014/0054108 A1 * 2/2014 Wolf E04B 1/90
 181/292
 2014/0093705 A1 * 4/2014 Shi B65D 65/403
 428/182
 2014/0193620 A1 * 7/2014 Sandoe E04B 1/7662
 428/215
 2014/0212622 A1 7/2014 Lang
 2014/0302276 A1 * 10/2014 Kusu B32B 27/12
 428/113
 2016/0007737 A1 * 1/2016 Clark B65D 21/0215
 211/126.2
 2016/0325520 A1 * 11/2016 Berger B32B 3/12
 2016/0347024 A1 * 12/2016 Hornich B31D 5/02
 2017/0080672 A1 * 3/2017 Amano B32B 7/02
 2017/0282484 A1 * 10/2017 Dietz B29D 24/005
 2018/0117872 A1 * 5/2018 Abu Al-Rub H01M 4/13
 2018/0245335 A1 * 8/2018 Schluter B32B 5/18
 2019/0024589 A1 * 1/2019 Bowen E04B 1/8409

OTHER PUBLICATIONS

Ceramic Structured Packaging for Distillation Columns: Site Visited [Mar. 27, 2019]. Available from Internet URL: <https://hghqgtl.en.made-in-china.com/product/MKcQOByrMzRF/China-Ceramic-Structured-Packaging-Type-550-Y-for-Distillation-Columns-.html>.
 Structured Packaging RVT: Announced Jan. 19, 2016 [online]. Site Visited [Mar. 27, 2019]. Available from Internet URL: <http://rvtpe.net/random-and-structured-packings/overview-of-structured-packaging/>.
 Water Humidifier Filters: Announced Aug. 1, 2012 [online]. Site Visited [Mar. 29, 2019]. Available from Internet URL: <https://www.discountfilters.com/humidifier-filters/>.
 Honeywell Humidifier Filter: Announced Mar. 17, 2015 [online]. Site Visited [Mar. 29, 2019]. Available from Internet URL: <https://www.natlallergy.com/honeywell-repl-humidifier-filter-b-hac-700.html>.
 FLEXERAMIC™ Structured Packing Systems Brochure, Bulletin KCP-7 Printed in U.S.A., © Copyright Rev.2014 Koch Knight LLC.

* cited by examiner

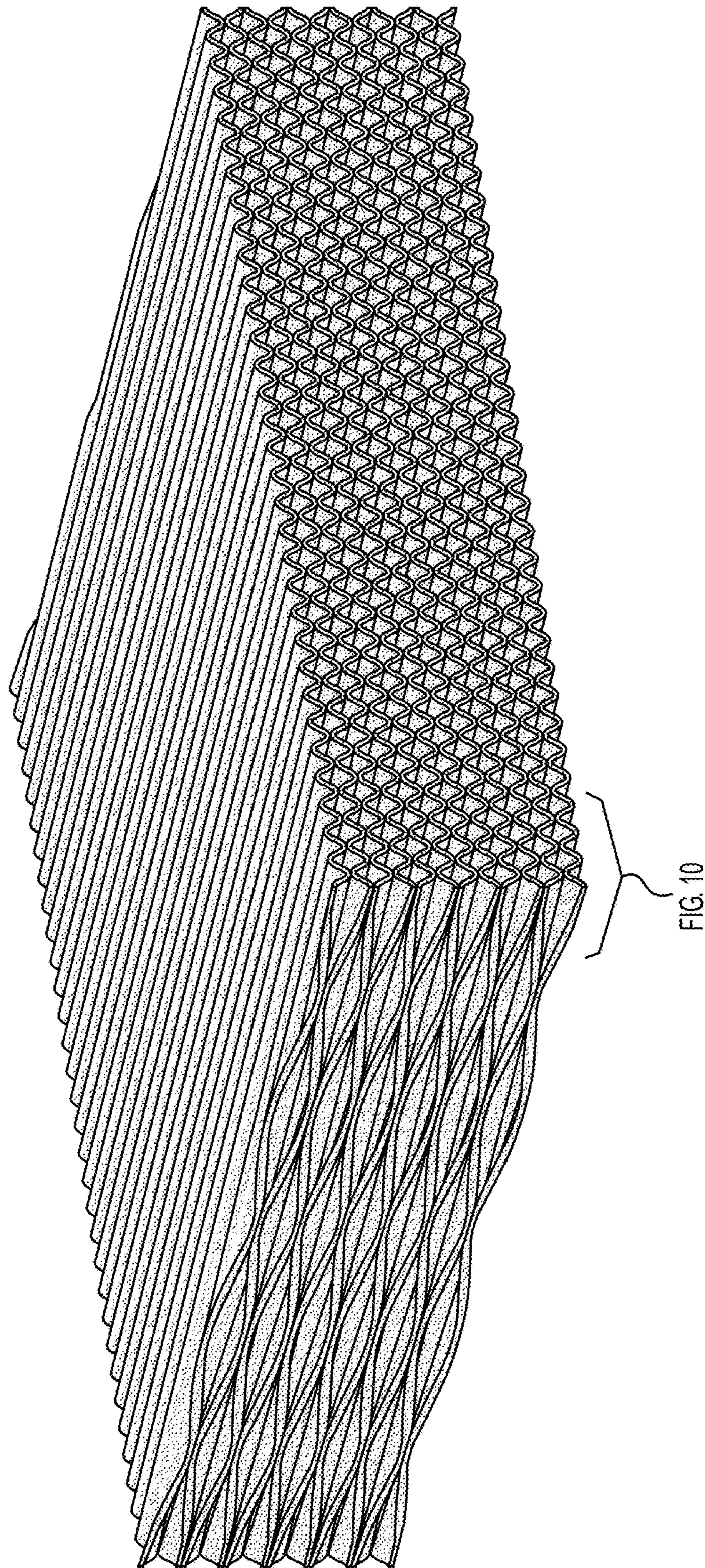


FIG. 1

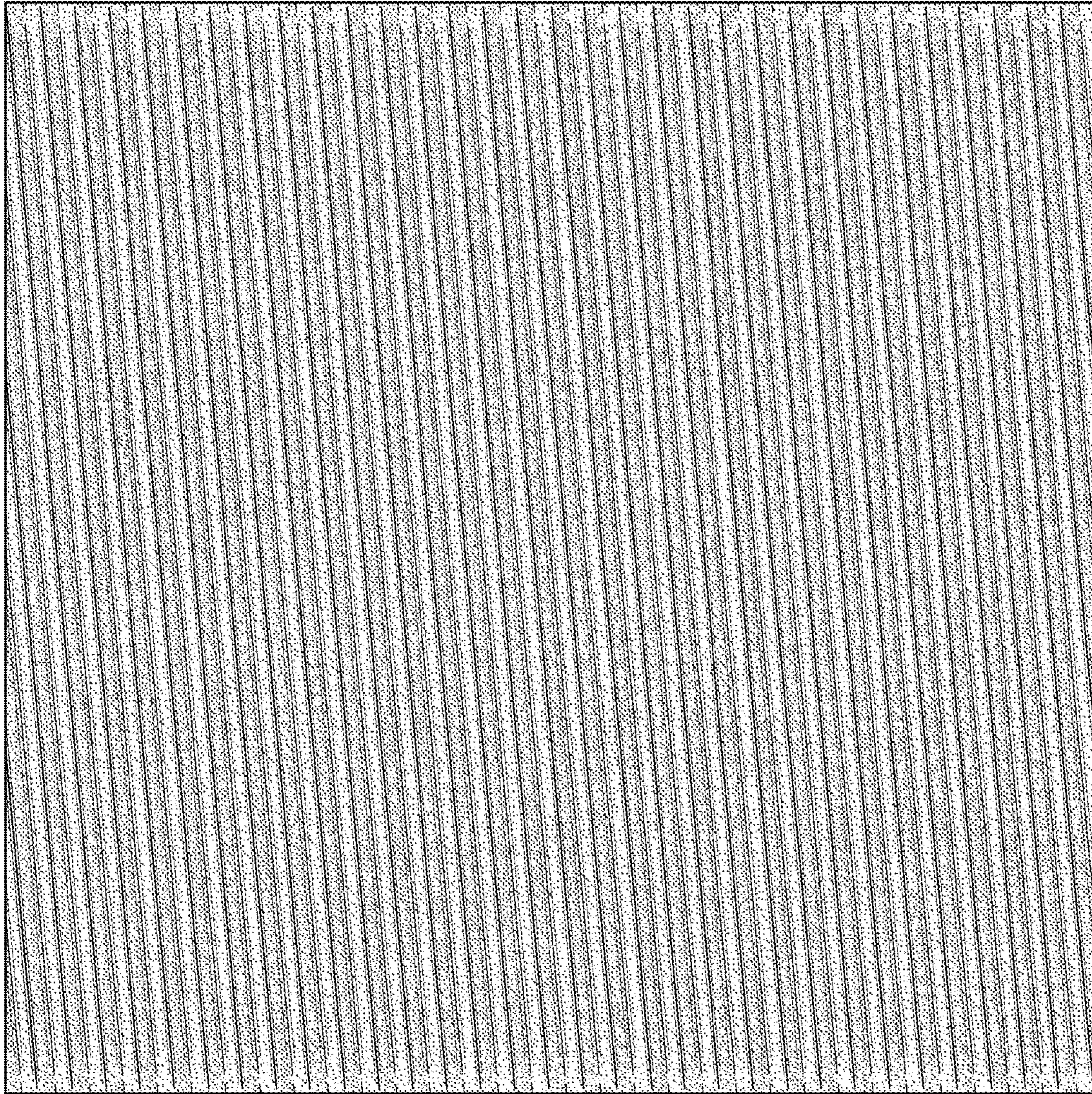


FIG. 2

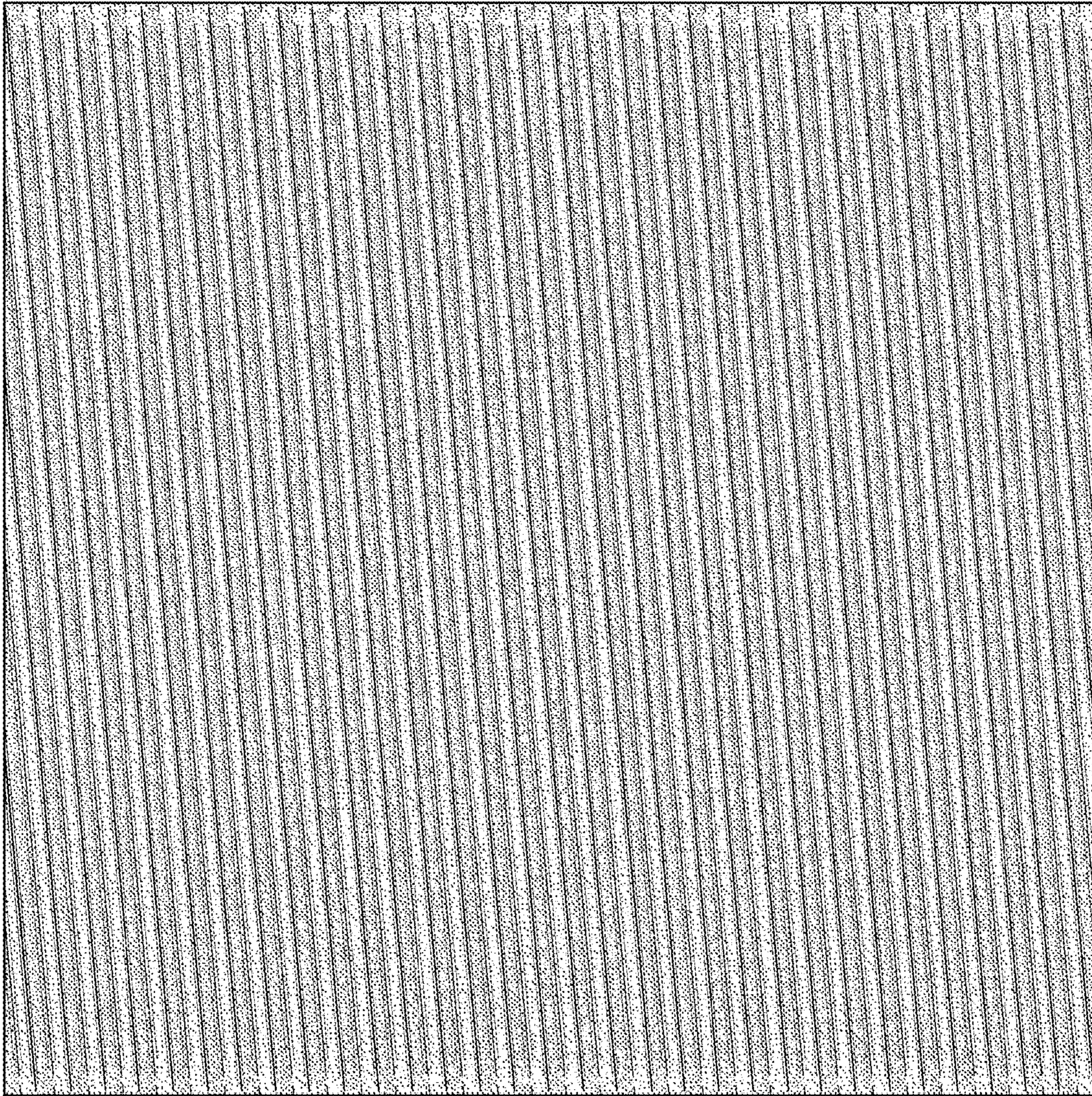


FIG. 3

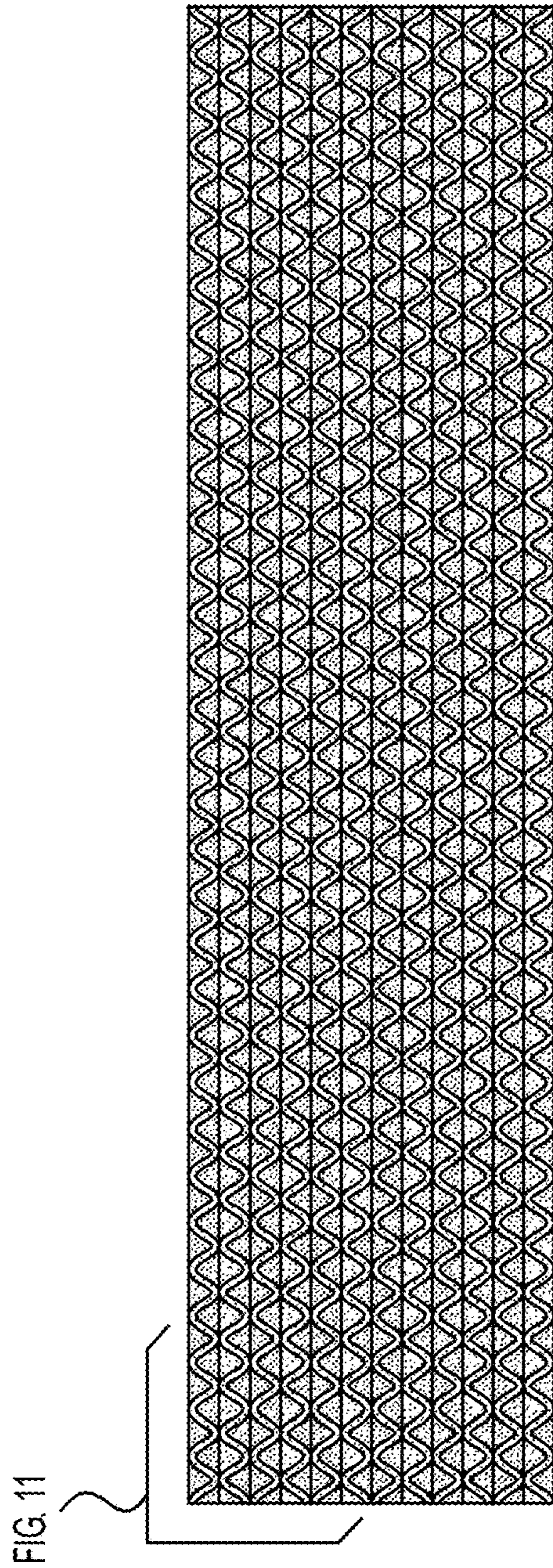


FIG. 4

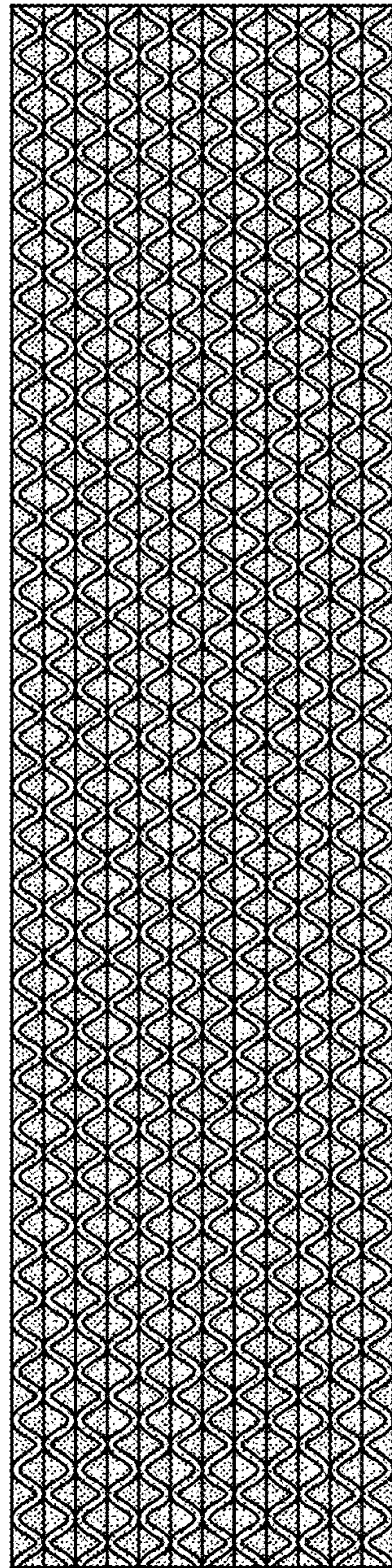


FIG. 5

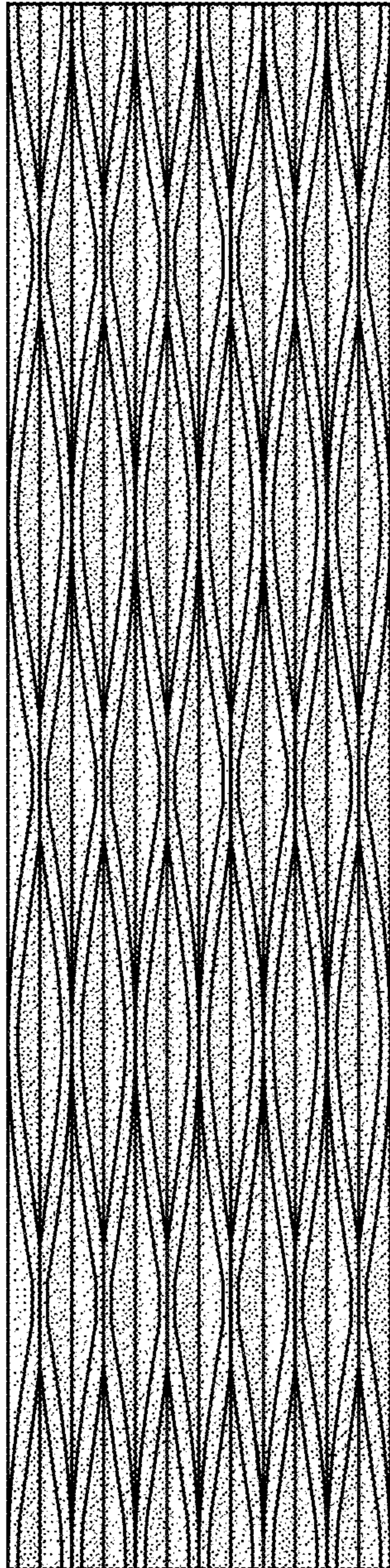


FIG. 6

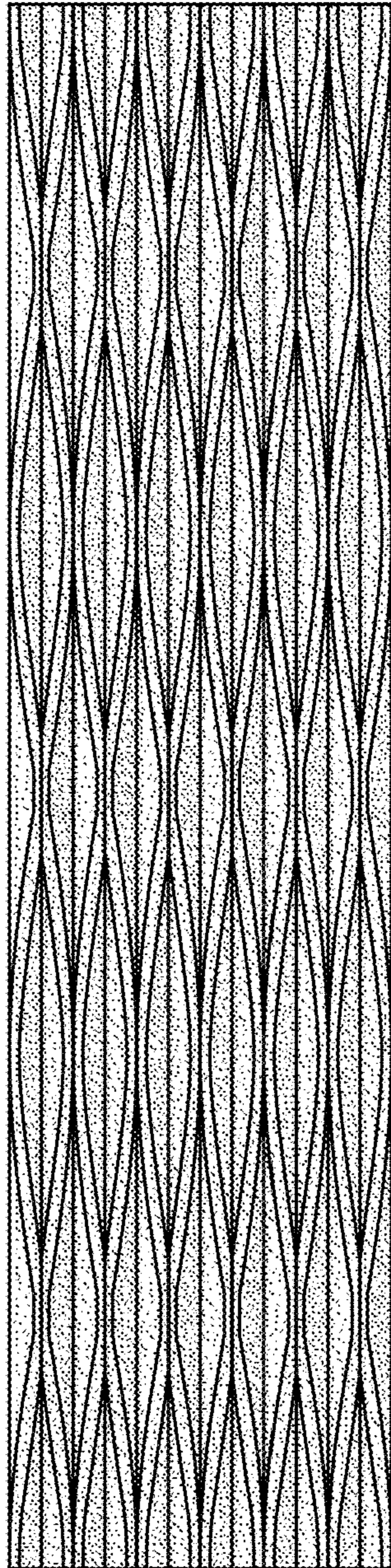


FIG. 7

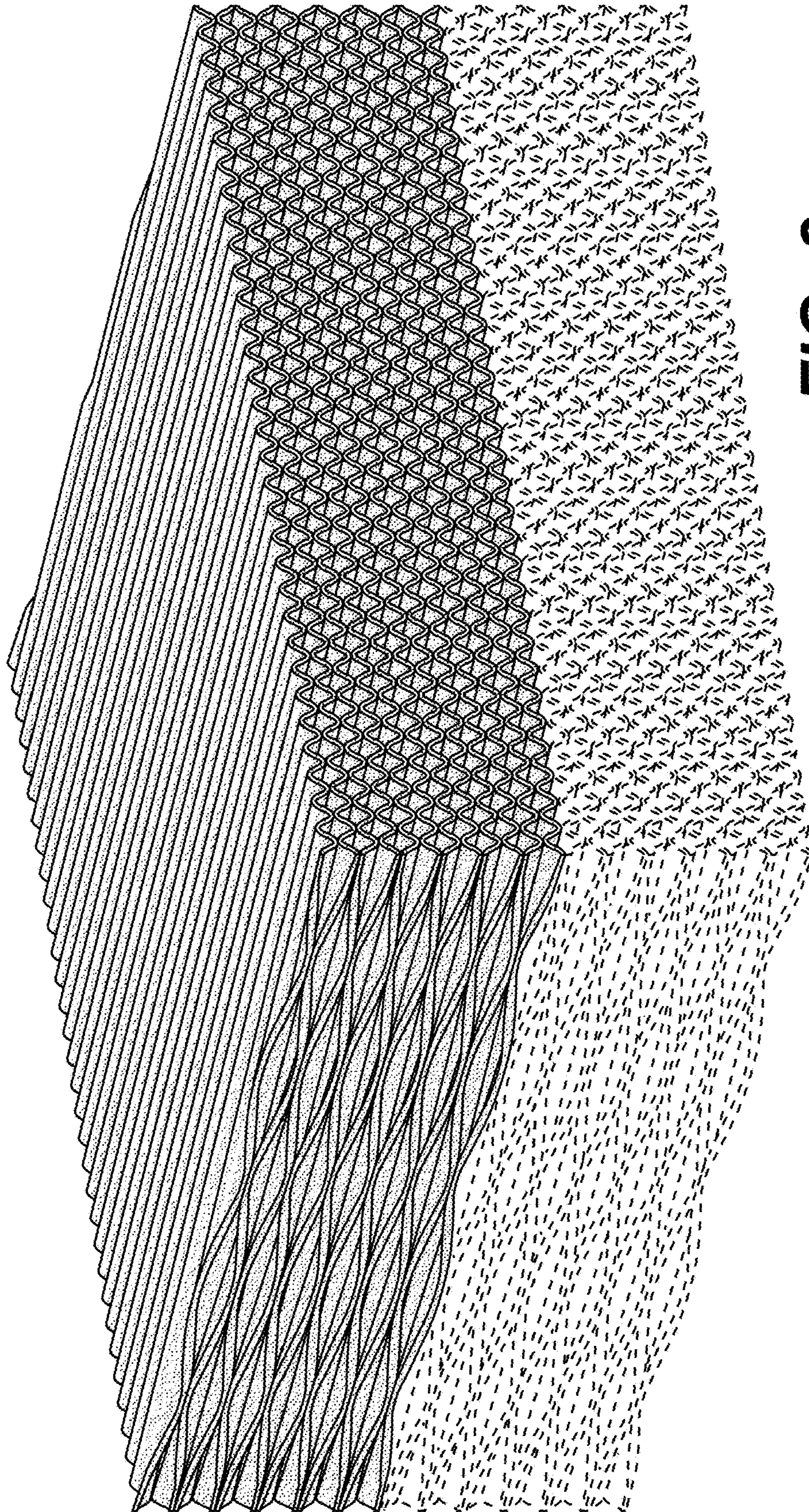


FIG. 8

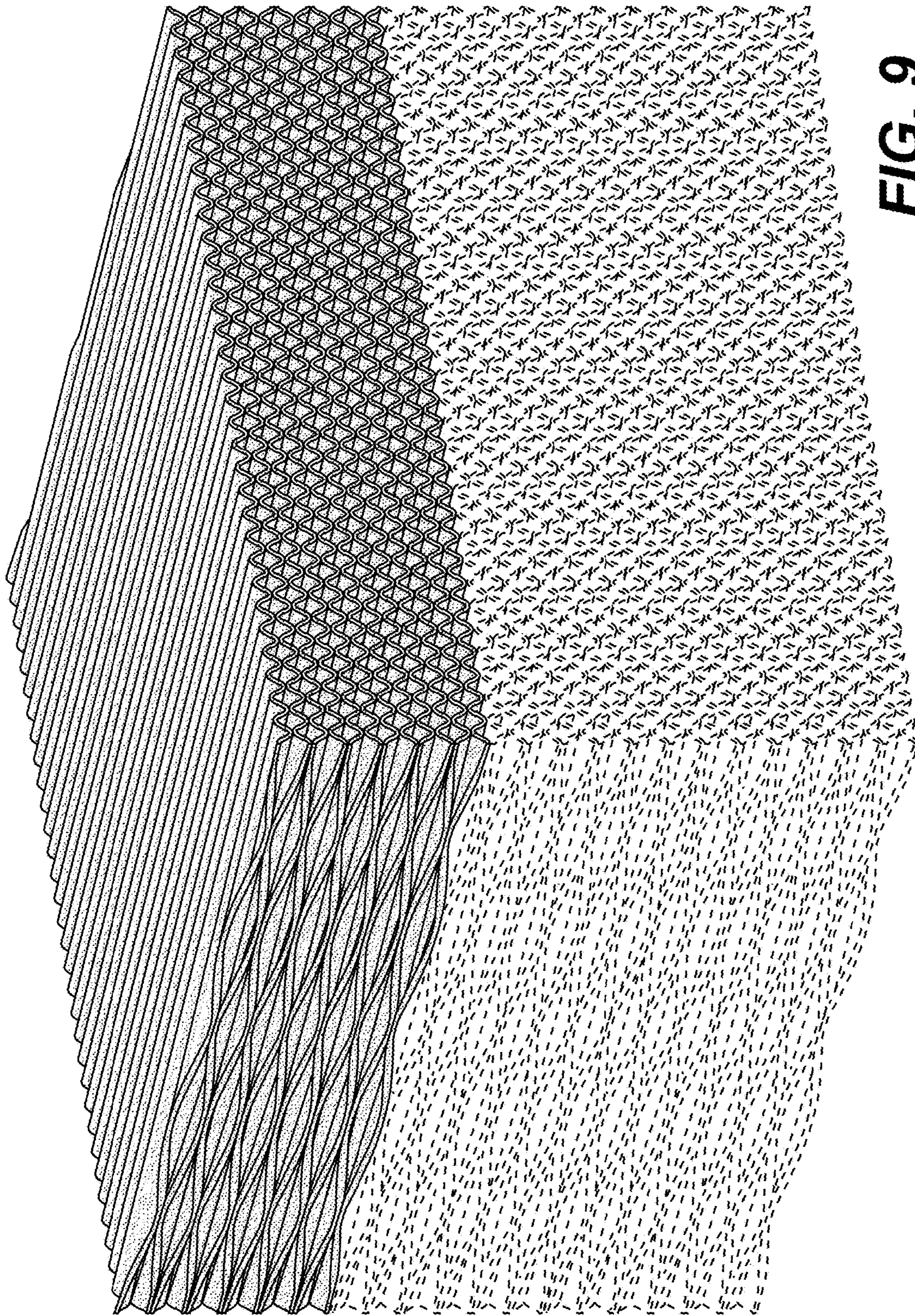


FIG. 9

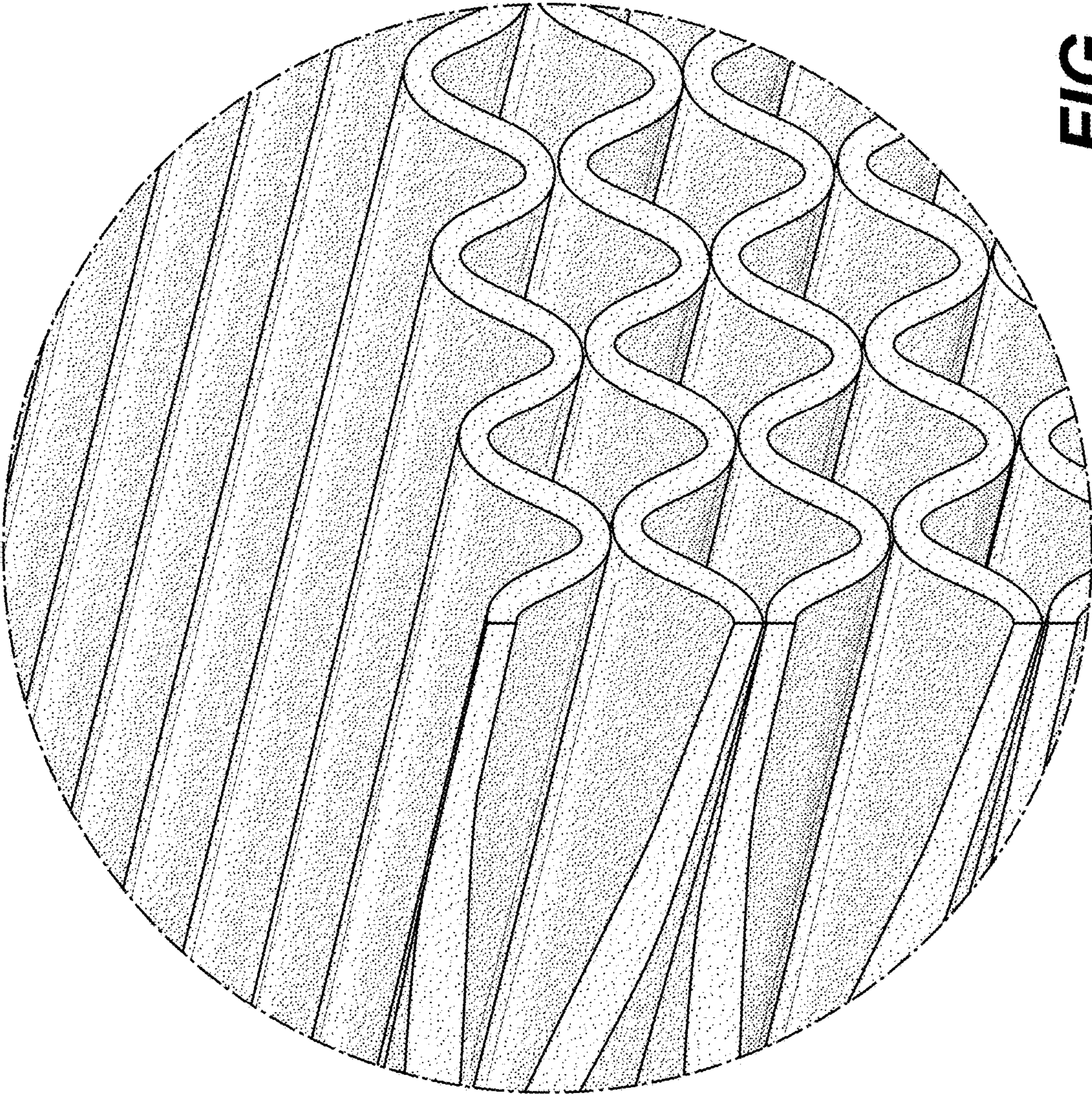


FIG. 10

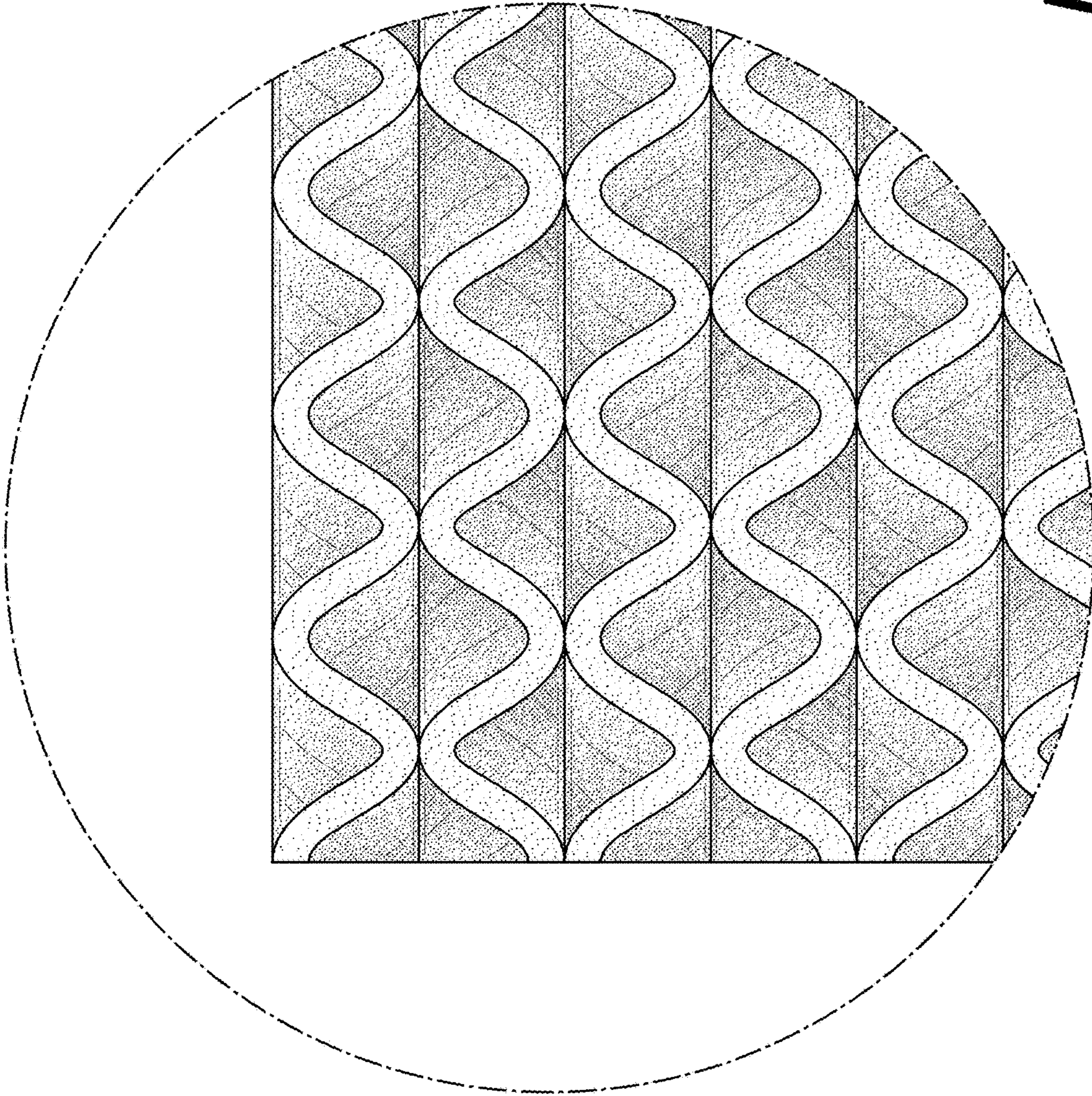


FIG. 11