



US00D858284S

(12) **United States Design Patent** (10) **Patent No.:** **US D858,284 S**  
**Murac et al.** (45) **Date of Patent:** **\*\* Sep. 3, 2019**

(54) **CAP FOR FRAGRANCE BOTTLE**  
 (71) Applicant: **Gabrielle Studio, Inc.**, New York, NY (US)  
 (72) Inventors: **Cedric Arnaud Murac**, New York, NY (US); **Michelle A. Badalich**, New York, NY (US); **Sharon Sut Lo**, Flushing, NY (US); **Samuel O'Donahue**, New York, NY (US)  
 (73) Assignee: **GABRIELLE STUDIO, INC**, New York, NY (US)  
 (\*\*) Term: **15 Years**  
 (21) Appl. No.: **29/626,145**  
 (22) Filed: **Nov. 15, 2017**  
 (51) **LOC (12) Cl.** ..... **09-07**  
 (52) **U.S. Cl.**  
 USPC ..... **D9/454**  
 (58) **Field of Classification Search**  
 USPC ..... D7/300, 300.1, 313, 314, 316, 387, 393, D7/396.1, 396.2, 396, 397, 398, 401.1, D7/509, 510, 511, 523, 525, 526, 527, D7/528, 538, 536, 602, 619.1, 900; D9/414-438, 449, 452, 453, 454, 457, D9/499, 682, 685, 686, 688, 723, 724, D9/763, 772; D19/34.1, 162, 163, 164, D19/165, 192, 194; D24/121, 127, 194, D24/196, 224; D28/76, 78, 82  
 CPC ..... A47G 19/22; A47G 19/2205; A47G 19/2222; A47G 19/2266; A47G 19/2272; A47G 19/2294; B65D 51/18; B65D 51/28; B65D 51/242; B65D 51/2814; B65D 51/2821; B65D 2101/0046; B65D 21/0228; B65D 41/3447; B65D 1/0246; A47J 43/27

See application file for complete search history.

(56) **References Cited**  
 U.S. PATENT DOCUMENTS  
 D223,812 S \* 6/1972 Long ..... D9/453  
 D286,027 S \* 10/1986 Waher ..... D9/435  
 D325,583 S \* 4/1992 Matuszewski ..... D14/234  
 D358,295 S \* 5/1995 Moench ..... D7/398  
 D362,623 S \* 9/1995 Ma ..... D9/443  
 D439,116 S \* 3/2001 White ..... D7/619.1  
 D462,268 S \* 9/2002 Schroeder ..... D9/435  
 (Continued)

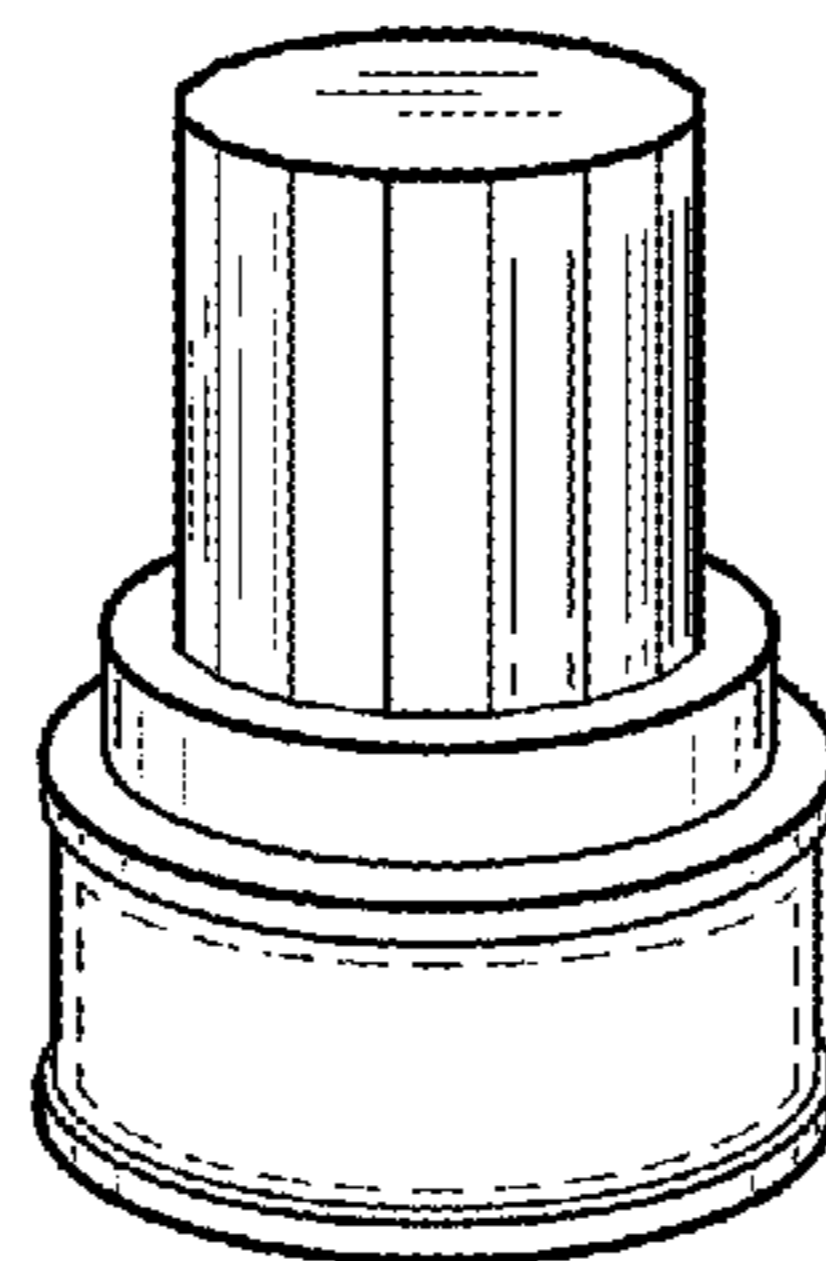
**OTHER PUBLICATIONS**  
 DKNY Stories: Announced Jun. 18, 2018 [online]. Site Visited [May 7, 2019]. Available from Internet URL: <https://www.macys.com/shop/product/dkny-stories-eau-de-parfum-spray-3.4-oz.-created-for-macys?ID=6483374>.\*

*Primary Examiner* — Jennifer Rivard  
*Assistant Examiner* — Catherine S Posthauer  
 (74) *Attorney, Agent, or Firm* — Peter Giancana

(57) **CLAIM**  
 The ornamental design for a cap for fragrance bottle, substantially as shown and described.

**DESCRIPTION**  
 FIG. 1 is a front perspective view of a cap for fragrance bottle showing our new design;  
 FIG. 2 is a left side elevation view of the cap shown in FIG. 1;  
 FIG. 3 is a front elevation view of the cap shown in FIG. 1;  
 FIG. 4 is a right side elevation view of the cap shown in FIG. 1;  
 FIG. 5 is a rear elevation view of the cap shown in FIG. 1;  
 FIG. 6 is a top plan view of the cap shown in FIG. 1; and  
 FIG. 7 is a bottom plan view of the cap shown in FIG. 1.  
 The broken lines are shown for the purpose of illustrating portions of the article that form no part of the claimed design.

**1 Claim, 2 Drawing Sheets**



(56)

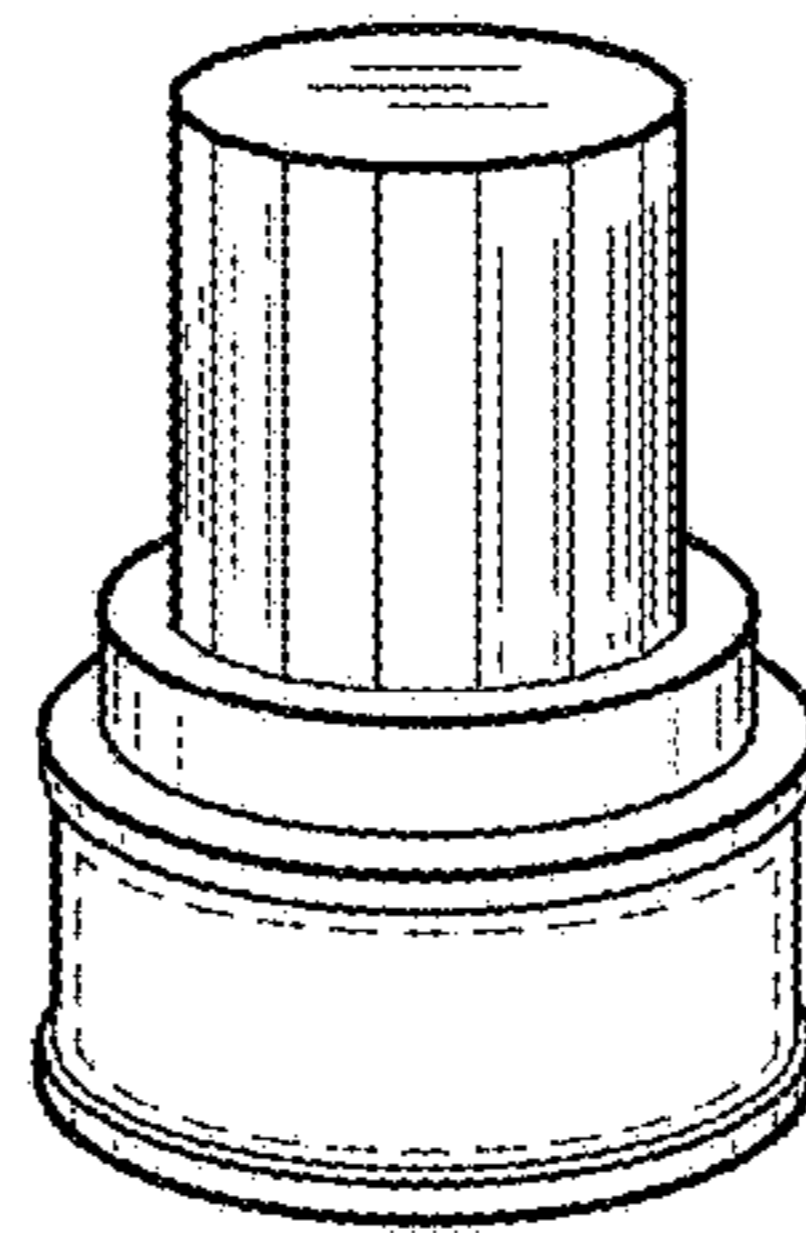
**References Cited**

## U.S. PATENT DOCUMENTS

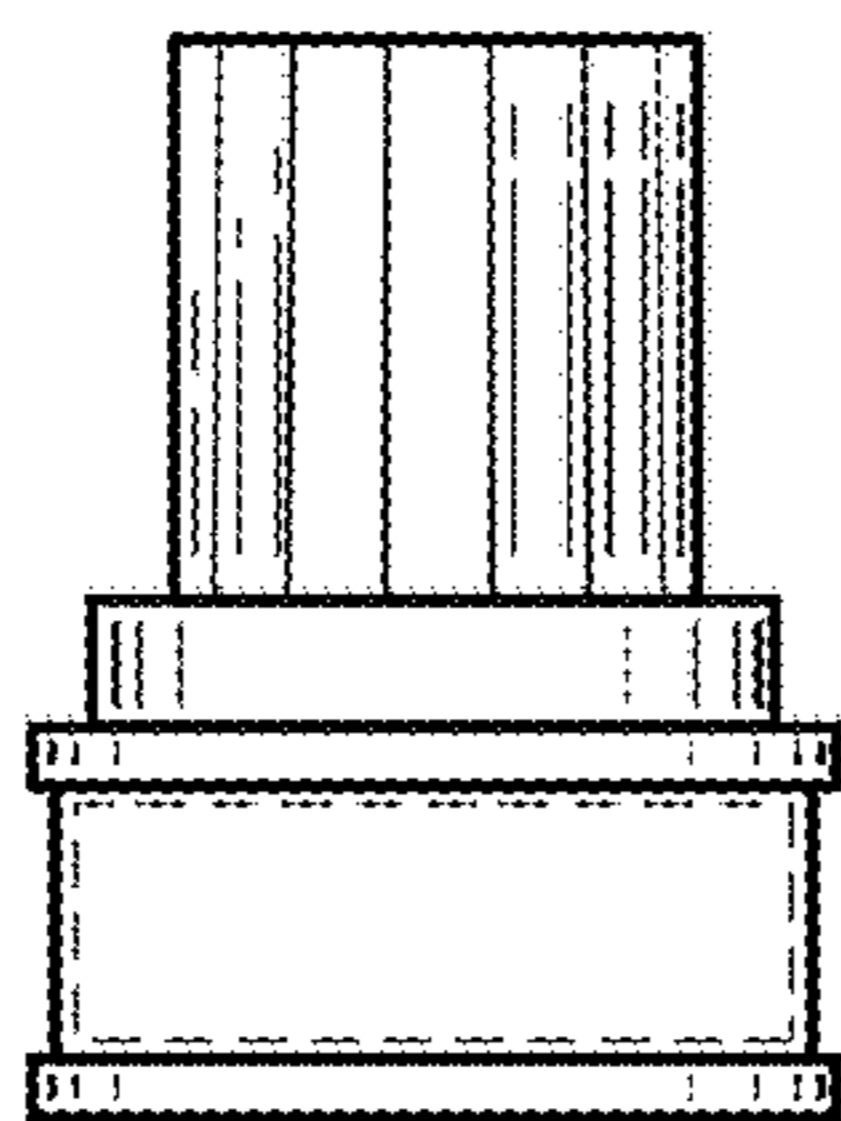
D476,232	S	*	6/2003	Maus	.....	D9/435
D479,995	S	*	9/2003	Duceppe	.....	D9/434
D503,886	S	*	4/2005	Biesecker	.....	D7/391
D518,353	S	*	4/2006	Van Handel	.....	D8/300
D519,835	S	*	5/2006	Dubs	.....	D9/438
D608,141	S	*	1/2010	Sanders	.....	D7/300.1
D612,238	S	*	3/2010	Moreau	.....	D9/451
D637,907	S	*	5/2011	Maxa	.....	D9/452
D641,641	S	*	7/2011	Weng	.....	D9/686
D668,148	S	*	10/2012	Sory	.....	D9/435
D693,682	S	*	11/2013	Bahri	.....	D9/453
D732,389	S	*	6/2015	Nickel	.....	D9/453
D743,255	S	*	11/2015	Niggemyer	.....	D9/435
9,290,308	B2	*	3/2016	Bashyam	.....	B65D 47/243
D763,685	S	*	8/2016	Arriaga	.....	D9/436
D768,492	S	*	10/2016	Kim	.....	D9/434
D795,063	S	*	8/2017	Arriaga	.....	D9/436
D809,389	S	*	2/2018	Royer	.....	D9/454
D830,854	S	*	10/2018	Kellman	.....	D9/723
D833,288	S	*	11/2018	Murac	.....	D9/546
D834,368	S	*	11/2018	Oas	.....	D7/392.1
D836,446	S	*	12/2018	Murac	.....	D9/572
D836,447	S	*	12/2018	Murac	.....	D9/572

\* cited by examiner

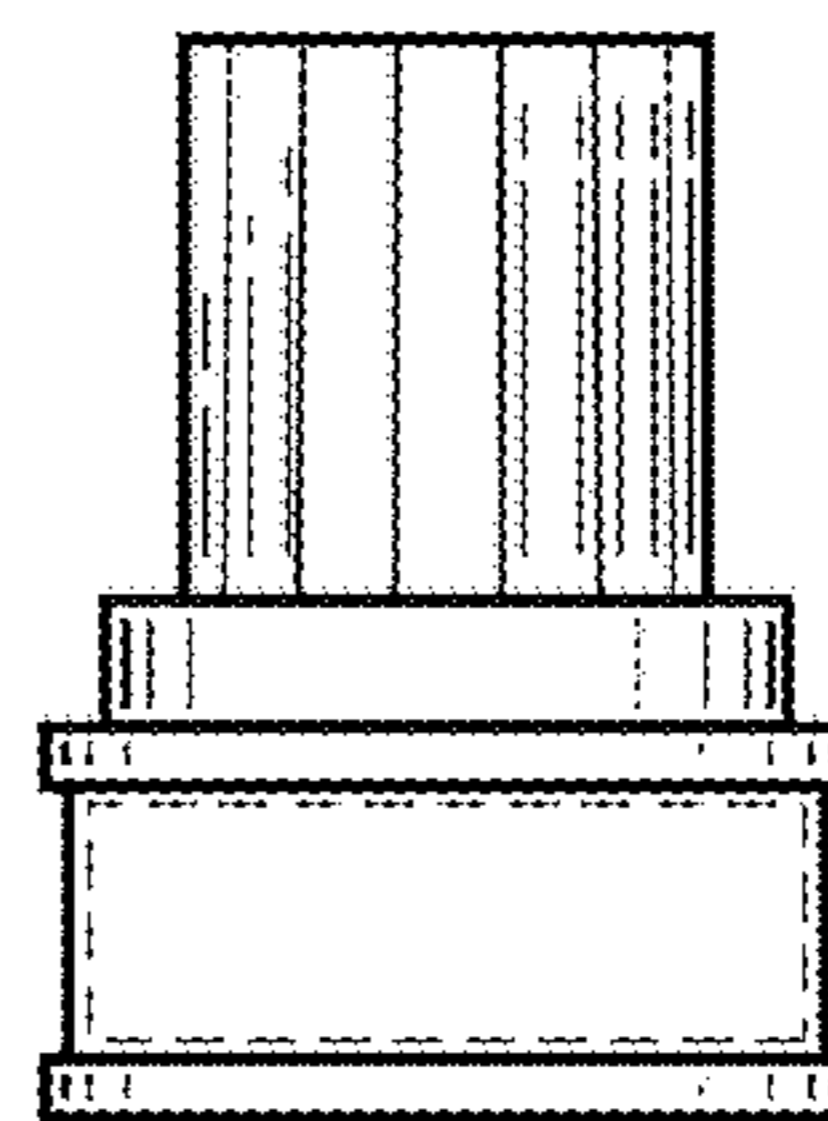
**FIG. 1**



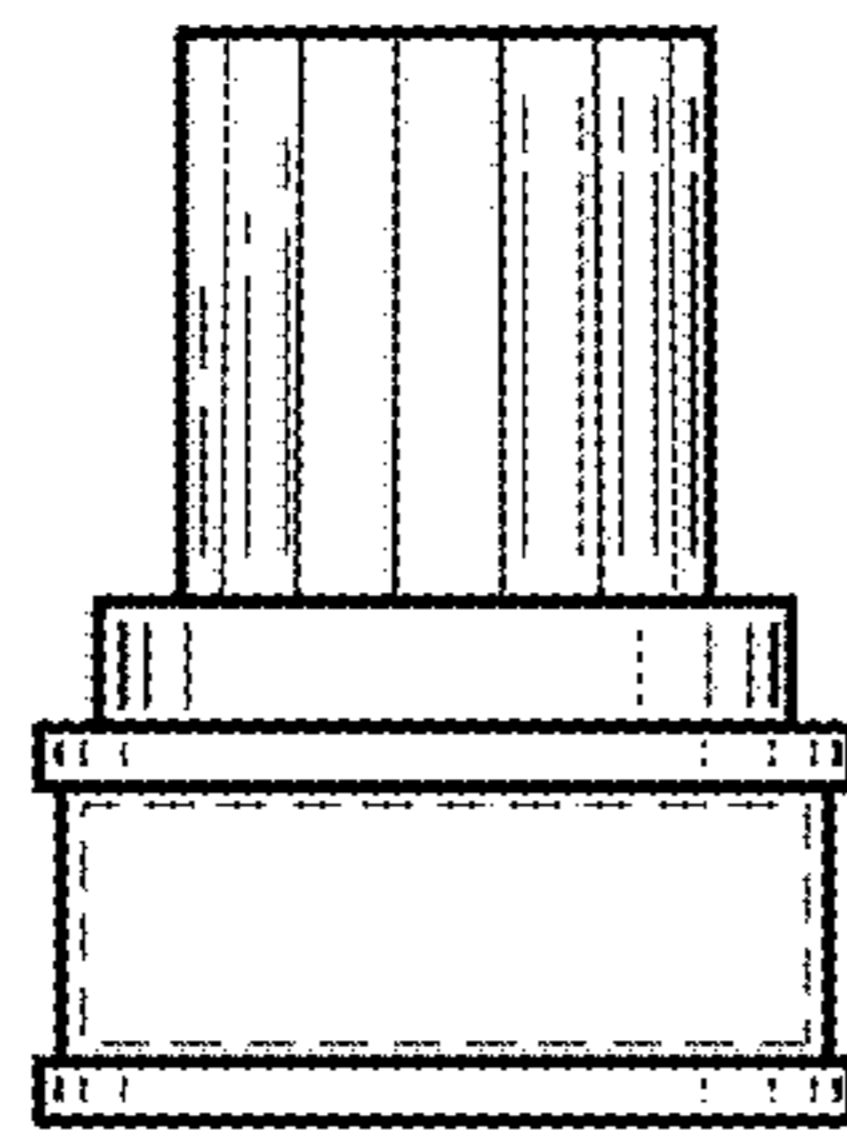
**FIG. 2**



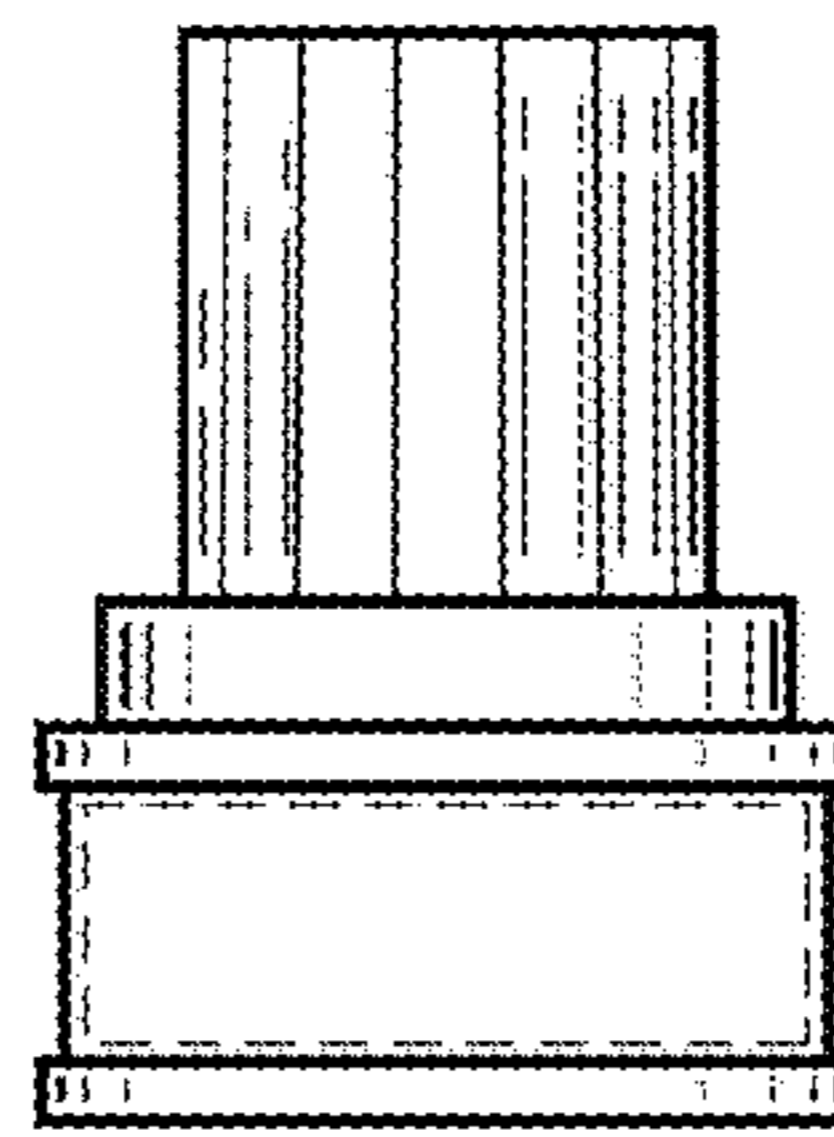
**FIG. 3**



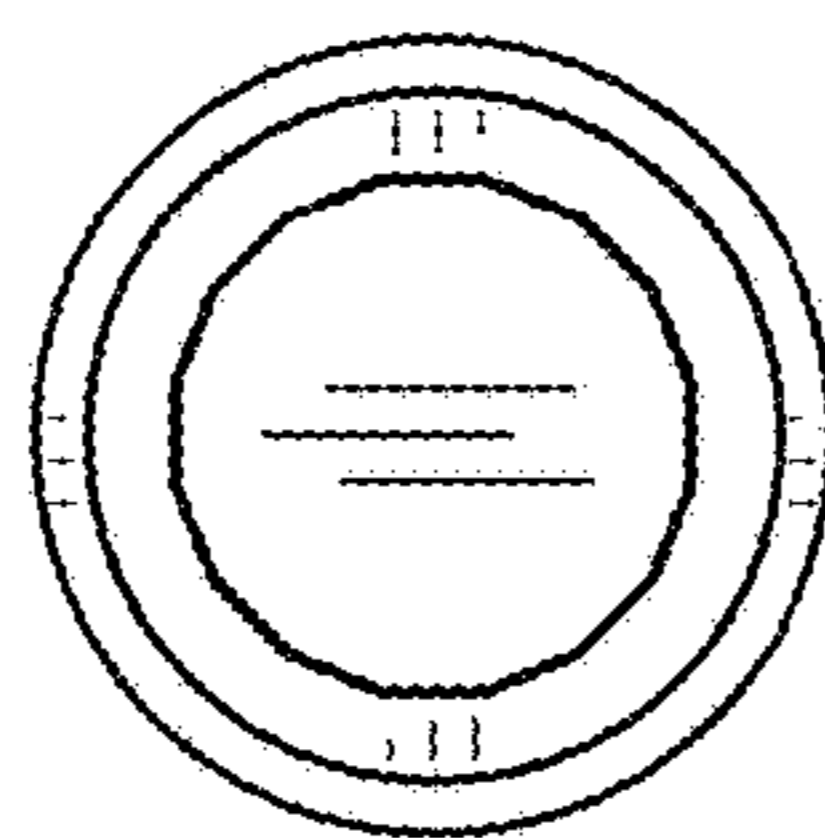
**FIG. 4**



**FIG. 5**



**FIG. 6**



**FIG. 7**

