



US00D858283S

(12) **United States Design Patent** (10) **Patent No.:** **US D858,283 S**
Murac et al. (45) **Date of Patent:** **** Sep. 3, 2019**

- (54) **CAP FOR FRAGRANCE BOTTLE**
 - (71) Applicant: **Gabrielle Studio, Inc.**, New York, NY (US)
 - (72) Inventors: **Cedric Arnaud Murac**, New York, NY (US); **Michelle A. Badalich**, New York, NY (US); **Sharon Sut Lo**, Flushing, NY (US); **Samuel O'Donahue**, New York, NY (US)
 - (73) Assignee: **GABRIELLE STUDIO, INC.**, New York, NY (US)
 - (**) Term: **15 Years**
 - (21) Appl. No.: **29/626,137**
 - (22) Filed: **Nov. 15, 2017**
 - (51) **LOC (12) Cl.** **09-07**
 - (52) **U.S. Cl.**
USPC **D9/454**
 - (58) **Field of Classification Search**
USPC D7/300, 300.1, 313, 314, 316, 387, 393, D7/396.1, 396.2, 396, 397, 398, 401.1, D7/509, 510, 511, 523, 525, 526, 527, D7/528, 538, 536, 602, 619.1, 900; D9/414-438, 449, 452, 453, 454, 457, D9/499, 682, 685, 686, 688, 723, 724, D9/763, 772; D19/34.1, 162, 163, 164, D19/165, 192, 194; D24/121, 127, 194, D24/196, 224; D28/76, 78, 82
CPC A47G 19/22; A47G 19/2205; A47G 19/2222; A47G 19/2266; A47G 19/2272; A47G 19/2294; B65D 51/18; B65D 51/28; B65D 51/242; B65D 51/2814; B65D 51/2821; B65D 2101/0046; B65D 21/0228; B65D 41/3447; B65D 1/0246; A47J 43/27
- See application file for complete search history.

- (56) **References Cited**
U.S. PATENT DOCUMENTS
D223,812 S * 6/1972 Long D9/453
D286,027 S * 10/1986 Waher D9/435
D325,583 S * 4/1992 Matuszewski D14/234
D358,295 S * 5/1995 Moench D7/398
D362,623 S * 9/1995 Ma D9/443
(Continued)

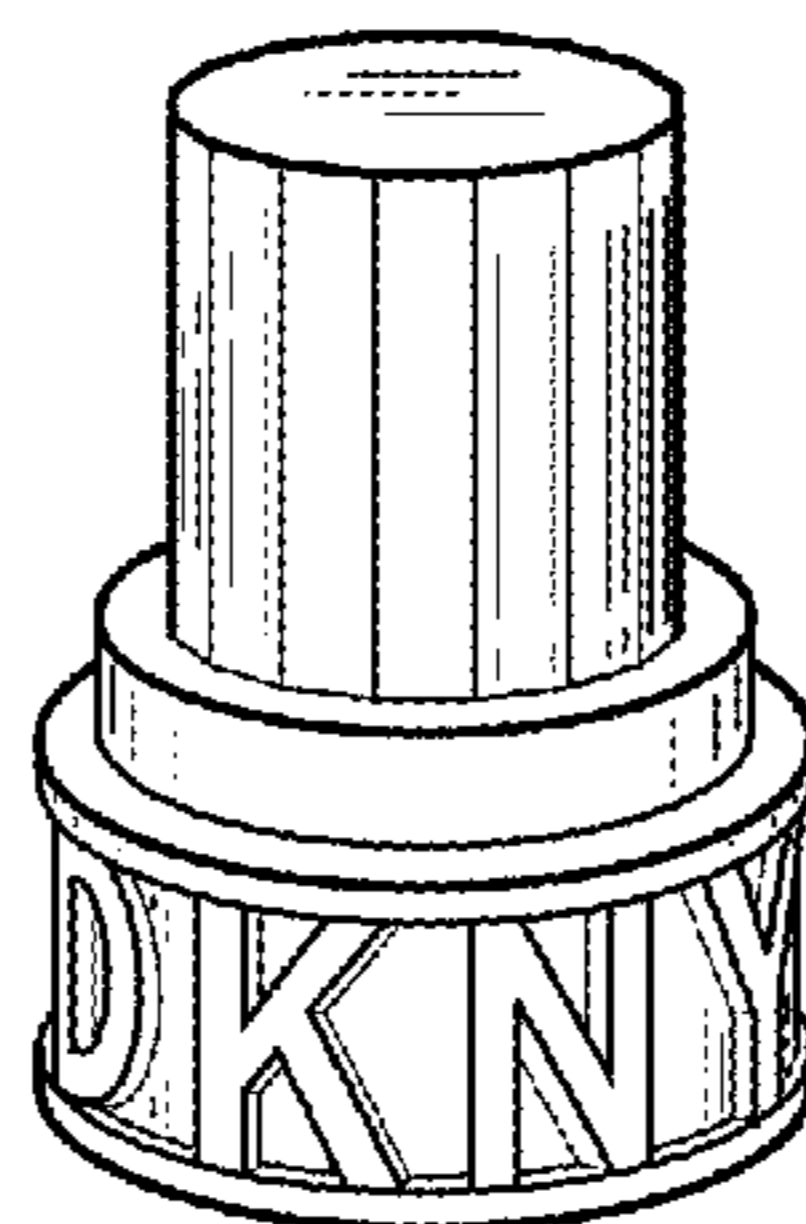
OTHER PUBLICATIONS
DKNY Stories: Announced Jun. 18, 2018 [online]. Site Visited [May 7, 2019]. Available from Internet URL: <https://www.macys.com/shop/product/dkny-stories-eau-de-parfum-spray-3.4-oz.-created-for-macys?ID=6483374>.*

Primary Examiner — Jennifer Rivard
Assistant Examiner — Catherine S Posthauer
(74) *Attorney, Agent, or Firm* — Peter Giancana

(57) **CLAIM**
The ornamental design for a cap for fragrance bottle, substantially as shown and described.

DESCRIPTION
FIG. 1 is a front perspective view of a cap for fragrance bottle showing our new design; FIG. 2 is a left side elevation view of the cap shown in FIG. 1; FIG. 3 is a front elevation view of the cap shown in FIG. 1; FIG. 4 is a right side elevation view of the cap shown in FIG. 1; FIG. 5 is a rear elevation view of the cap shown in FIG. 1; FIG. 6 is a top plan view of the cap shown in FIG. 1; and, FIG. 7 is a bottom plan view of the cap shown in FIG. 1. The broken lines are shown for the purpose of illustrating portions of the article that form no part of the claimed design.
The DKNY logo in the drawings is a registered trademark of the Donna Karan Company Store LLC.

1 Claim, 2 Drawing Sheets



(56)

References Cited

U.S. PATENT DOCUMENTS

D439,116 S * 3/2001 White D7/619.1
D462,268 S * 9/2002 Schroeder D9/435
D476,232 S * 6/2003 Maus D9/435
D479,995 S * 9/2003 Duceppe D9/434
D503,886 S * 4/2005 Biesecker D7/391
D518,353 S * 4/2006 Van Handel D8/300
D519,835 S * 5/2006 Dubs D9/438
D608,141 S * 1/2010 Sanders D7/300.1
D612,238 S * 3/2010 Moreau D9/451
D637,907 S * 5/2011 Maxa D9/452
D641,641 S * 7/2011 Weng D9/686
D668,148 S * 10/2012 Sory D9/435
D693,682 S * 11/2013 Bahri D9/453
D732,389 S * 6/2015 Nickel D9/453
D743,255 S * 11/2015 Niggemyer D9/435
9,290,308 B2 * 3/2016 Bashyam B65D 47/243
D763,685 S * 8/2016 Arriaga D9/436
D768,492 S * 10/2016 Kim D9/434
D795,063 S * 8/2017 Arriaga D9/436
D809,389 S * 2/2018 Royer D9/454
D830,854 S * 10/2018 Kellman D9/723
D833,288 S * 11/2018 Murac D9/546
D834,368 S * 11/2018 Oas D7/392.1
D836,446 S * 12/2018 Murac D9/572
D836,447 S * 12/2018 Murac D9/572

* cited by examiner

FIG. 1

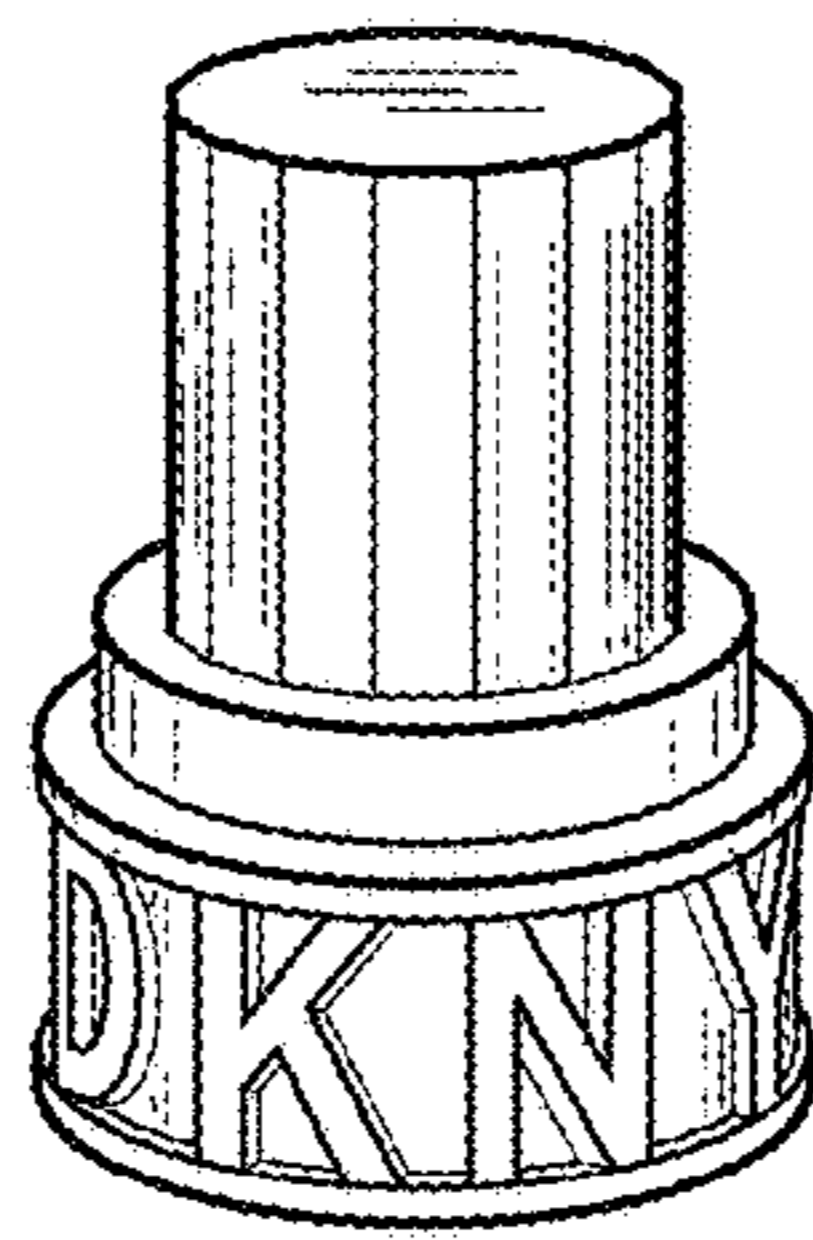


FIG. 2

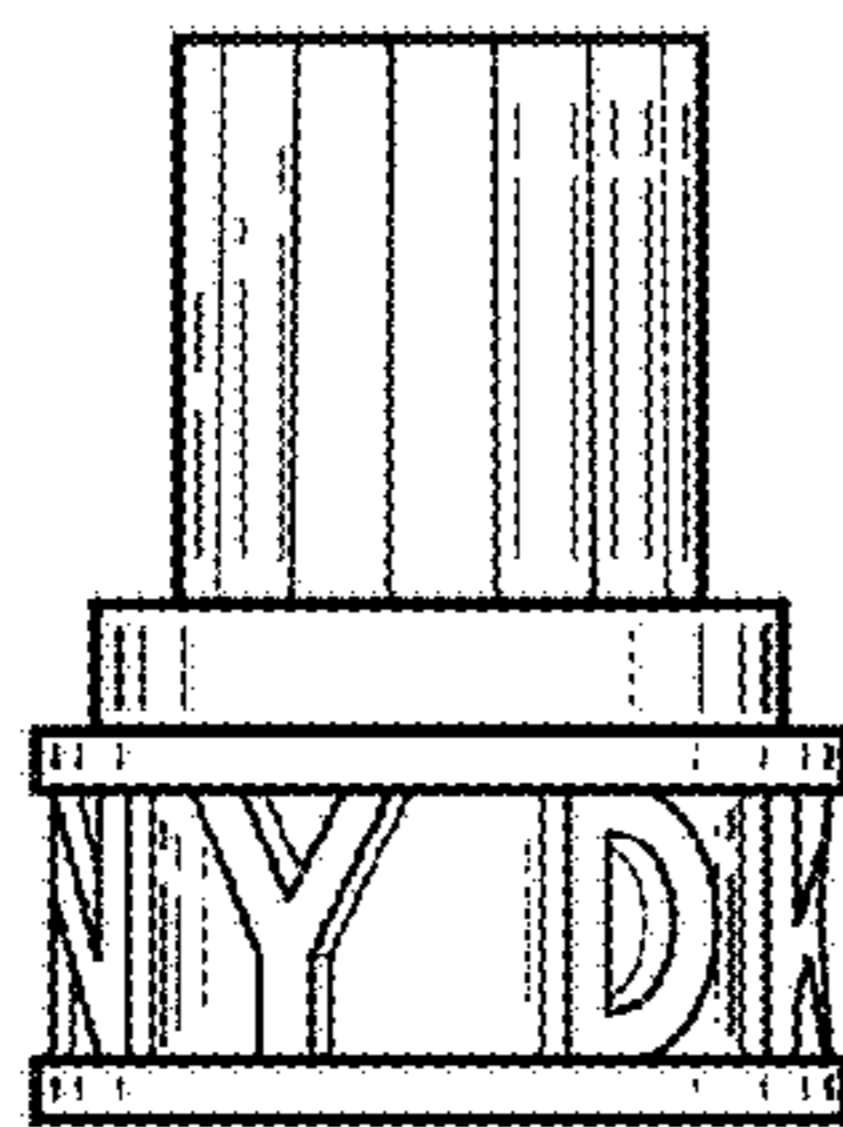


FIG. 3

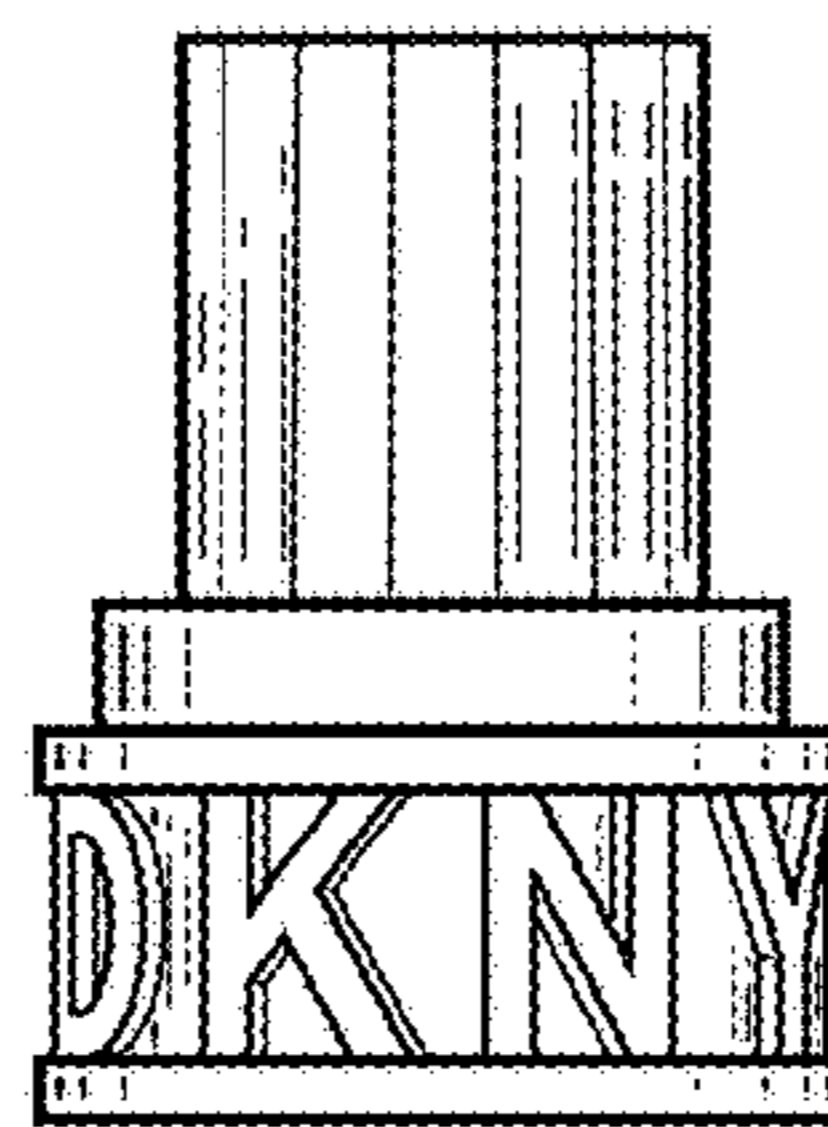


FIG. 4

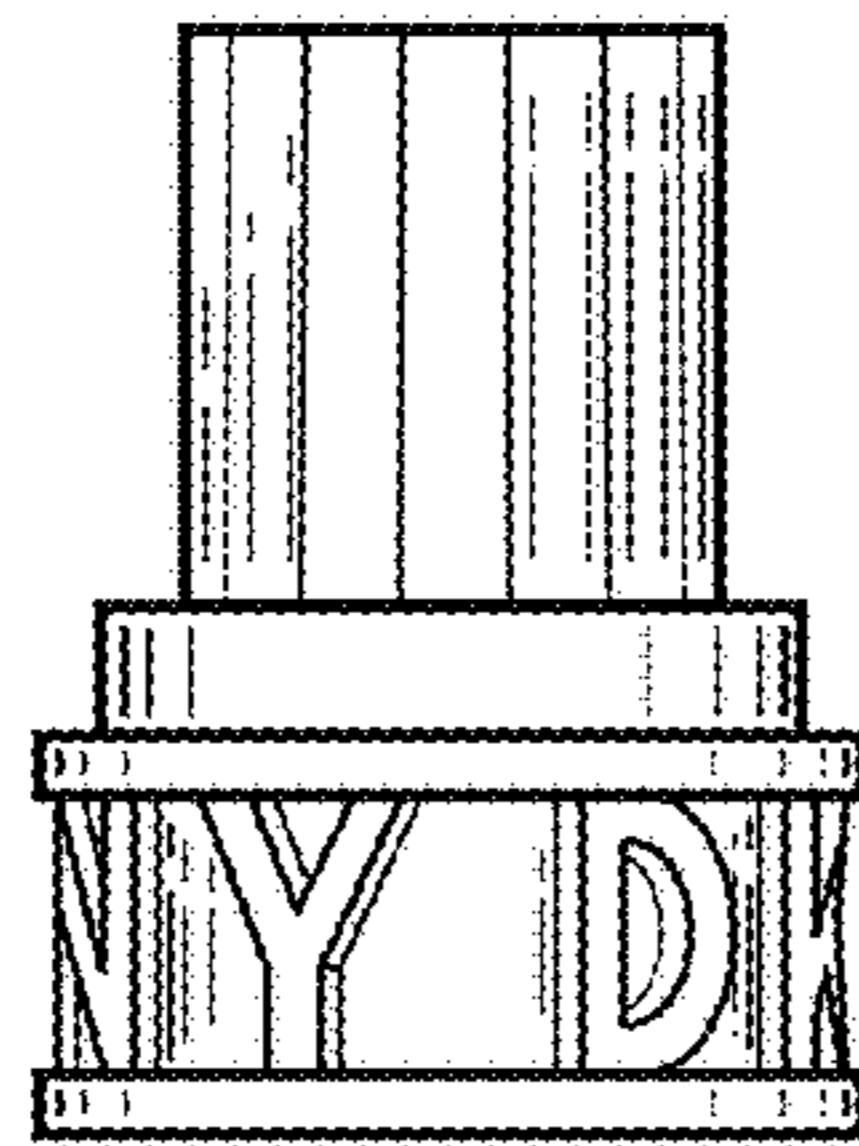


FIG. 5

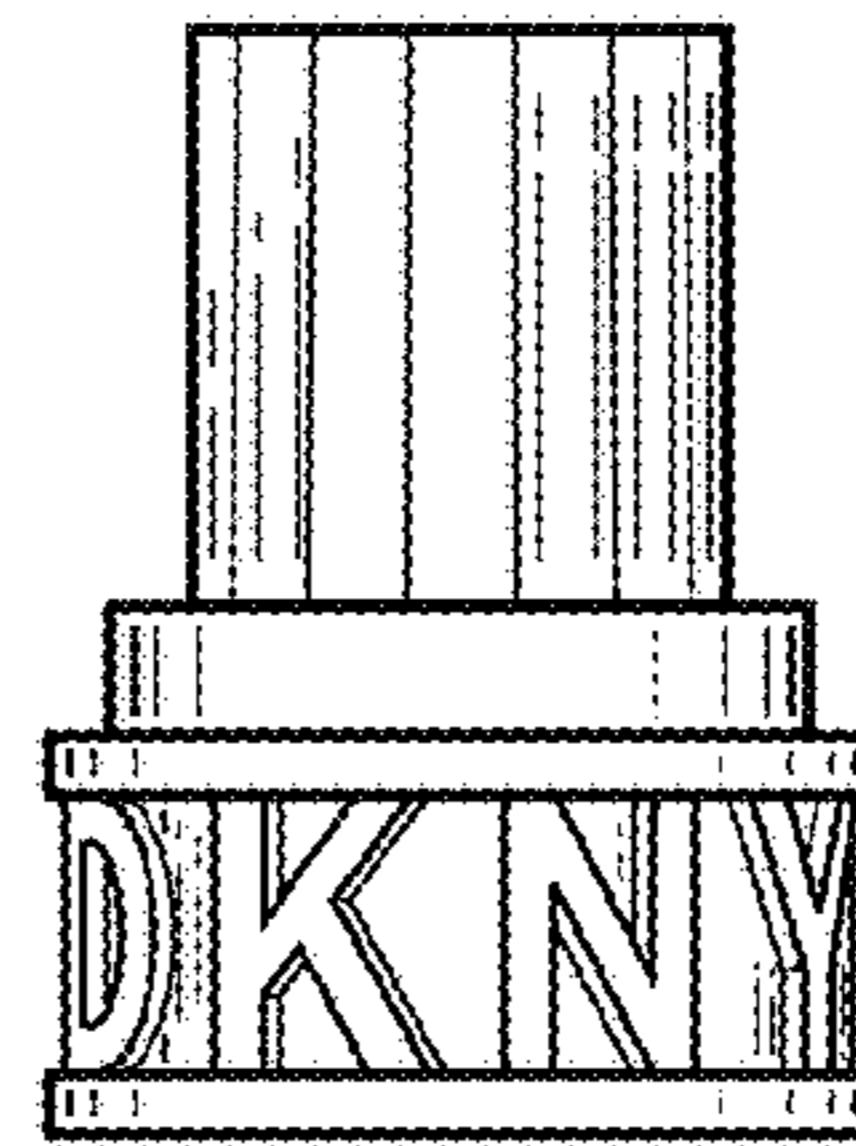


FIG. 6

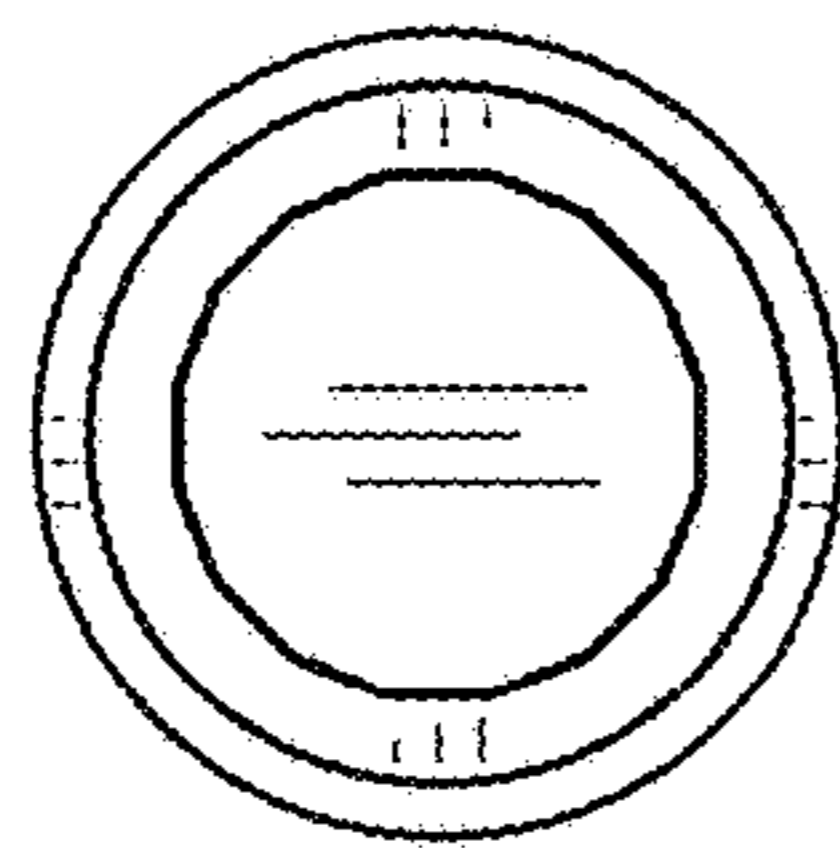


FIG. 7

