



US00D858280S

(12) **United States Design Patent** (10) **Patent No.:** **US D858,280 S**
Otani et al. (45) **Date of Patent:** **** Sep. 3, 2019**

(54) **CAP FOR A PERFUME BOTTLE**
(71) Applicant: **ELC Management LLC**, Melville, NY (US)
(72) Inventors: **Laura Otani**, New York, NY (US); **Lisa Rentz Henry**, New York, NY (US); **Judith Shalva Waletzky**, Brooklyn, NY (US)

D339,071 S * 9/1993 Mansau D9/443
D342,903 S * 1/1994 Ricci D9/439
D365,278 S * 12/1995 Paglina D9/544
D367,007 S * 2/1996 Paglina D9/439
D398,242 S * 9/1998 Fling D9/545
D443,505 S * 6/2001 Finocchiaro D24/104
D456,255 S * 4/2002 Su D9/434
D498,665 S * 11/2004 Mansau D28/91.1

(Continued)

(73) Assignee: **ELC MANAGEMENT LLC**, Melville, NY (US)

FOREIGN PATENT DOCUMENTS

(**) Term: **15 Years**

CN 301858735 3/2012
EM 002441998-0001 6/2016

(21) Appl. No.: **29/635,131**

Primary Examiner — Michael A. Pratt

(22) Filed: **Jan. 29, 2018**

Assistant Examiner — Wendy L Arminio

(51) **LOC (12) Cl.** **09-07**

(74) *Attorney, Agent, or Firm* — Peter Giancana

(52) **U.S. Cl.**
USPC **D9/435**

(57) **CLAIM**

(58) **Field of Classification Search**

The ornamental design for a cap for a perfume bottle, as shown and described.

USPC D9/414, 416, 425, 434, 435, 436, 438, D9/439, 440, 442, 443, 446-450, D9/452-457, 499, 503-505, 682, 685, D9/686; D7/387, 391, 392, 392.1, 393, D7/394, 396.1-396.4, 401.1, 503-505, D7/509-511, 538, 900; D3/201, 202, D3/203.2, 318; D28/91, 91.1
CPC .. A61J 1/00; A61J 1/1412; B65D 1/00; B65D 1/02; B65D 1/10; B65D 1/46; B65D 2585/56; B65D 2585/545; B65D 41/00; B65D 41/38; B65D 41/56; B65D 41/62; B65D 47/00; B65D 47/06; B65D 47/08; B65D 2543/00046; B65D 2543/00092; B65D 2543/00296; B65D 5/46; B65D 2251/00

DESCRIPTION

See application file for complete search history.

FIG. 1 is a front perspective view of our new design for a cap for a perfume bottle;
FIG. 2 is a front elevation view of the cap for a perfume bottle shown in FIG. 1;
FIG. 3 is a rear elevation view of the cap for a perfume bottle shown in FIG. 1;
FIG. 4 is a right side elevation view of the cap for a perfume bottle shown in FIG. 1;
FIG. 5 is a left side elevation view of the cap for a perfume bottle shown in FIG. 1;
FIG. 6 is a top plan view of the cap for a perfume bottle shown in FIG. 1; and,
FIG. 7 is a bottom plan view of the cap for a perfume bottle shown in FIG. 1.

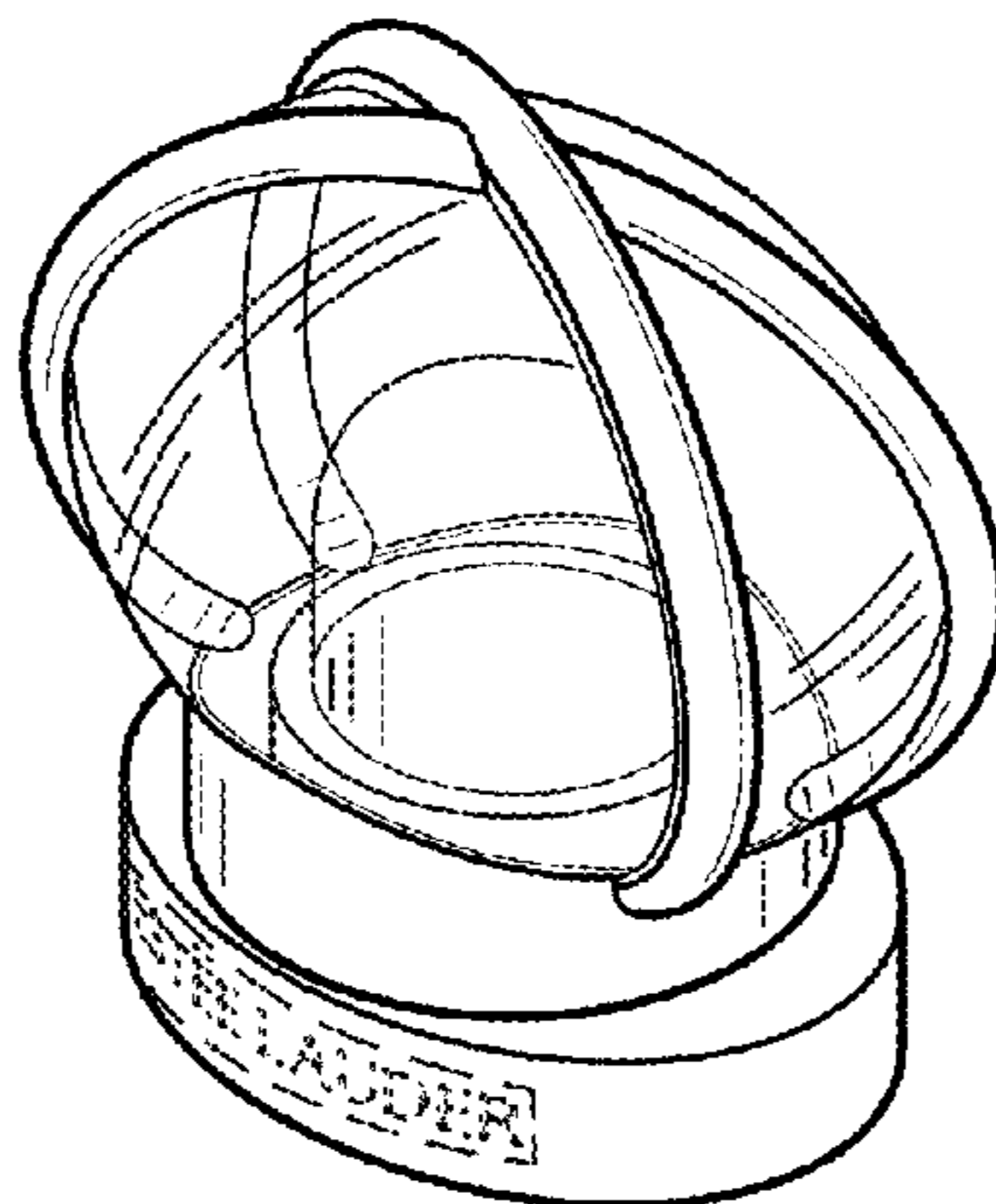
In the drawings, features shown in broken lines form no part of the claimed design.

(56) **References Cited**

U.S. PATENT DOCUMENTS

D15,611 S * 12/1884 Bothe D9/503
D40,386 S * 12/1909 Miner D9/453

1 Claim, 3 Drawing Sheets



(56)

References Cited

U.S. PATENT DOCUMENTS

D499,652 S	*	12/2004	Mansau	D9/520
D505,071 S	*	5/2005	Mansau	D9/435
D573,026 S	*	7/2008	Tsai	D9/435
D592,072 S	*	5/2009	Mansau	D9/694
D682,686 S	*	5/2013	Cercellier	D9/435
D752,990 S	*	4/2016	Dalton	D9/682
D815,539 S	*	4/2018	Cheloni	D9/543

* cited by examiner

FIG. 1

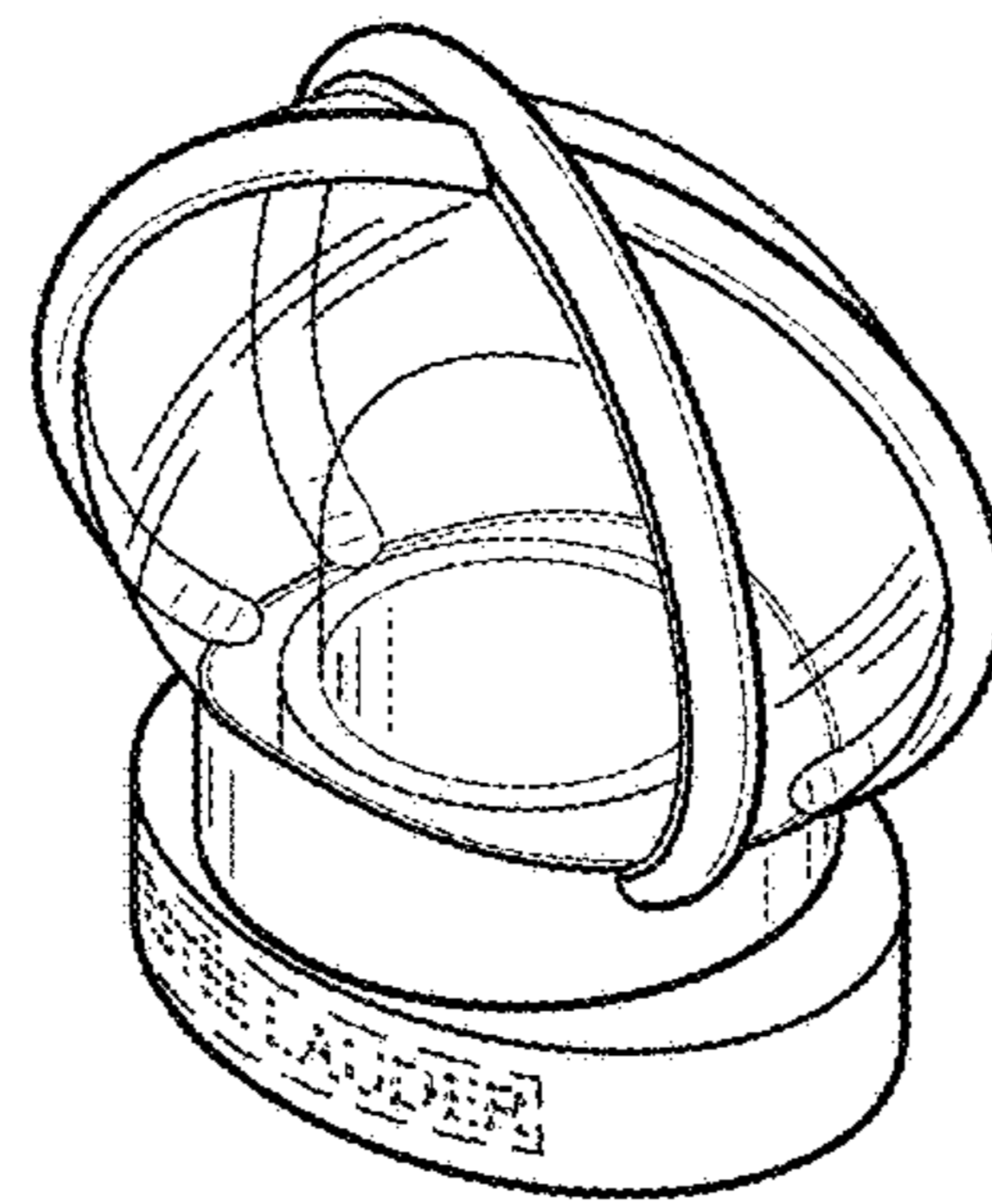


FIG. 2

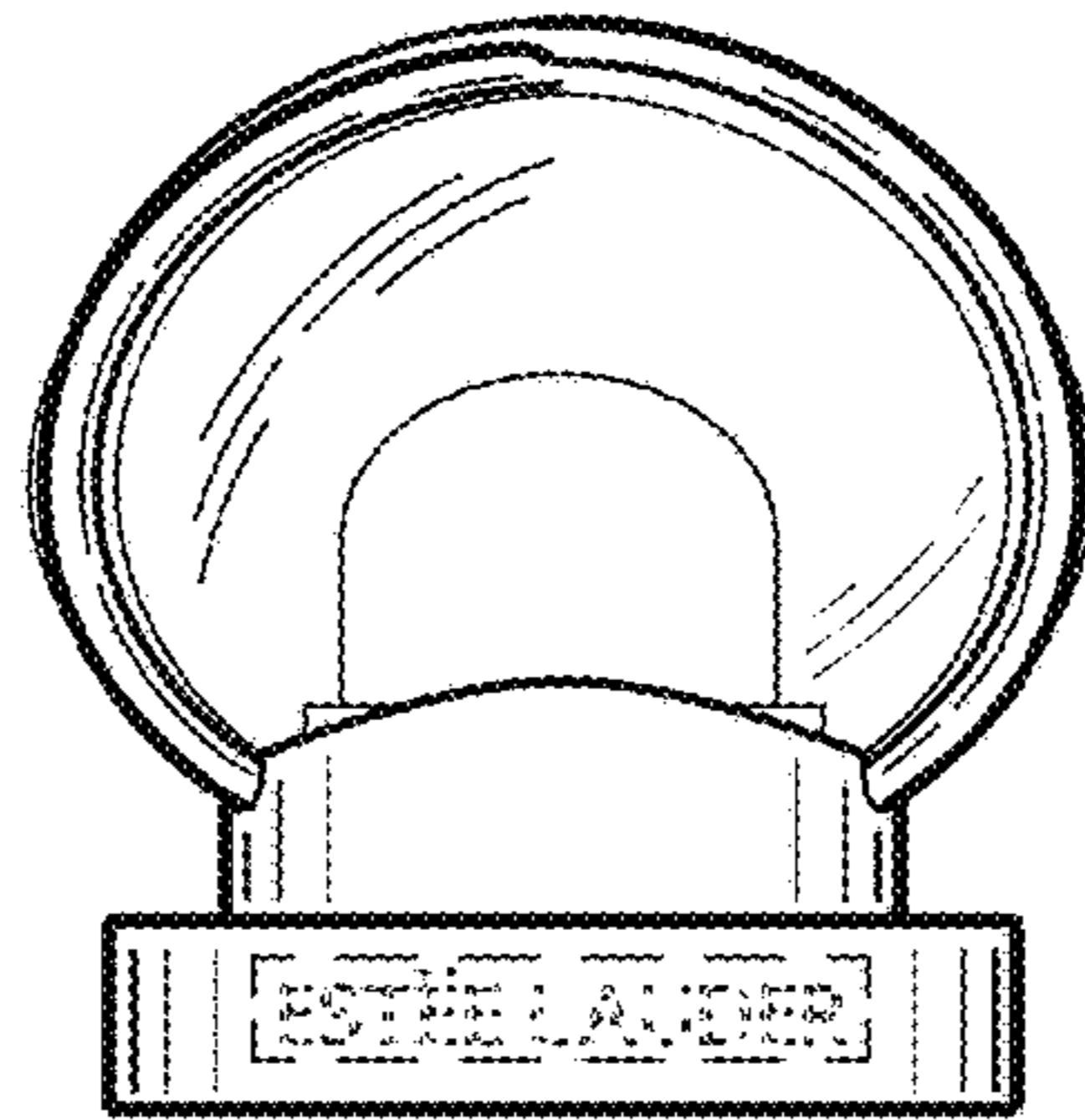


FIG. 3

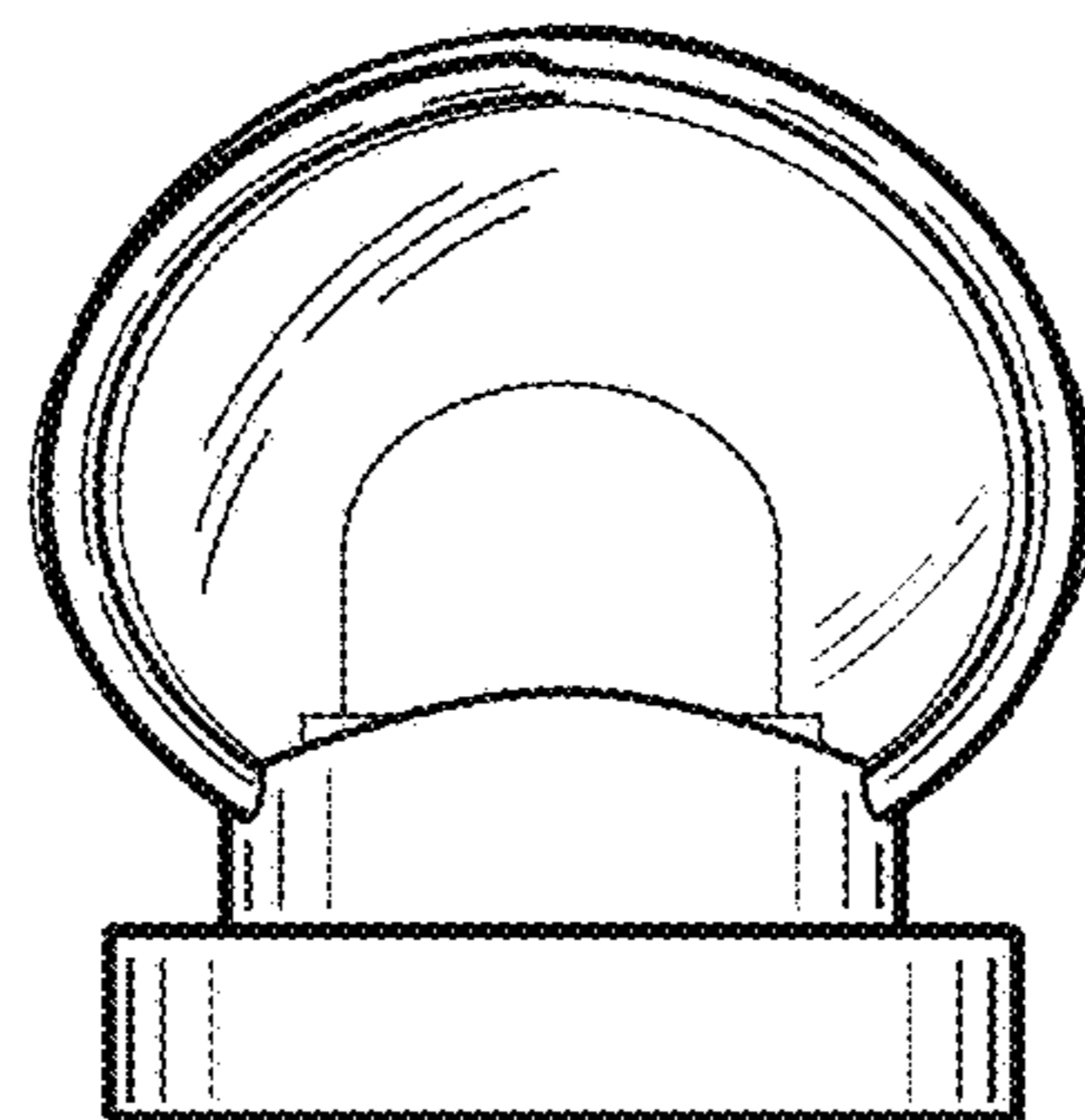


FIG. 4

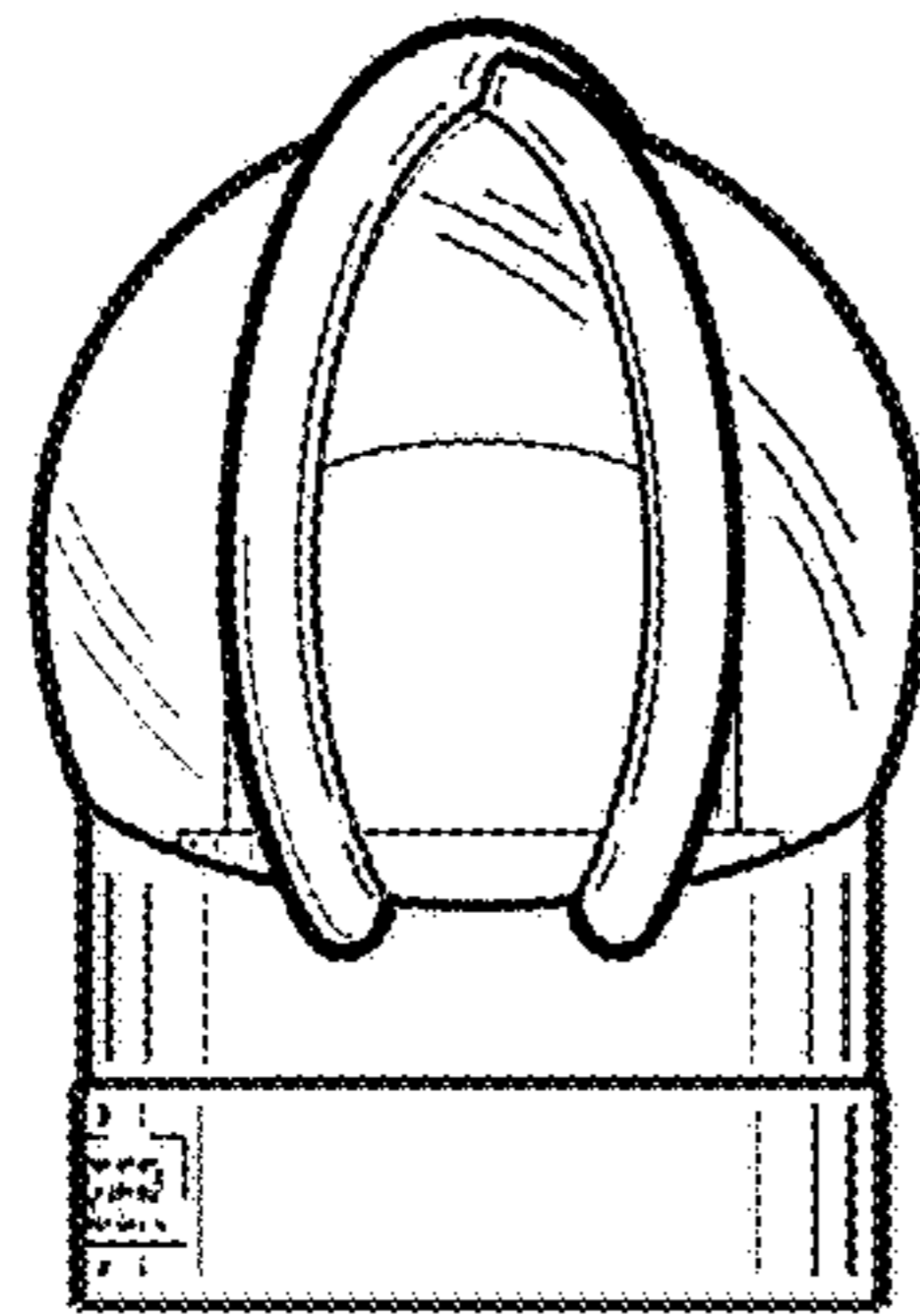


FIG. 5

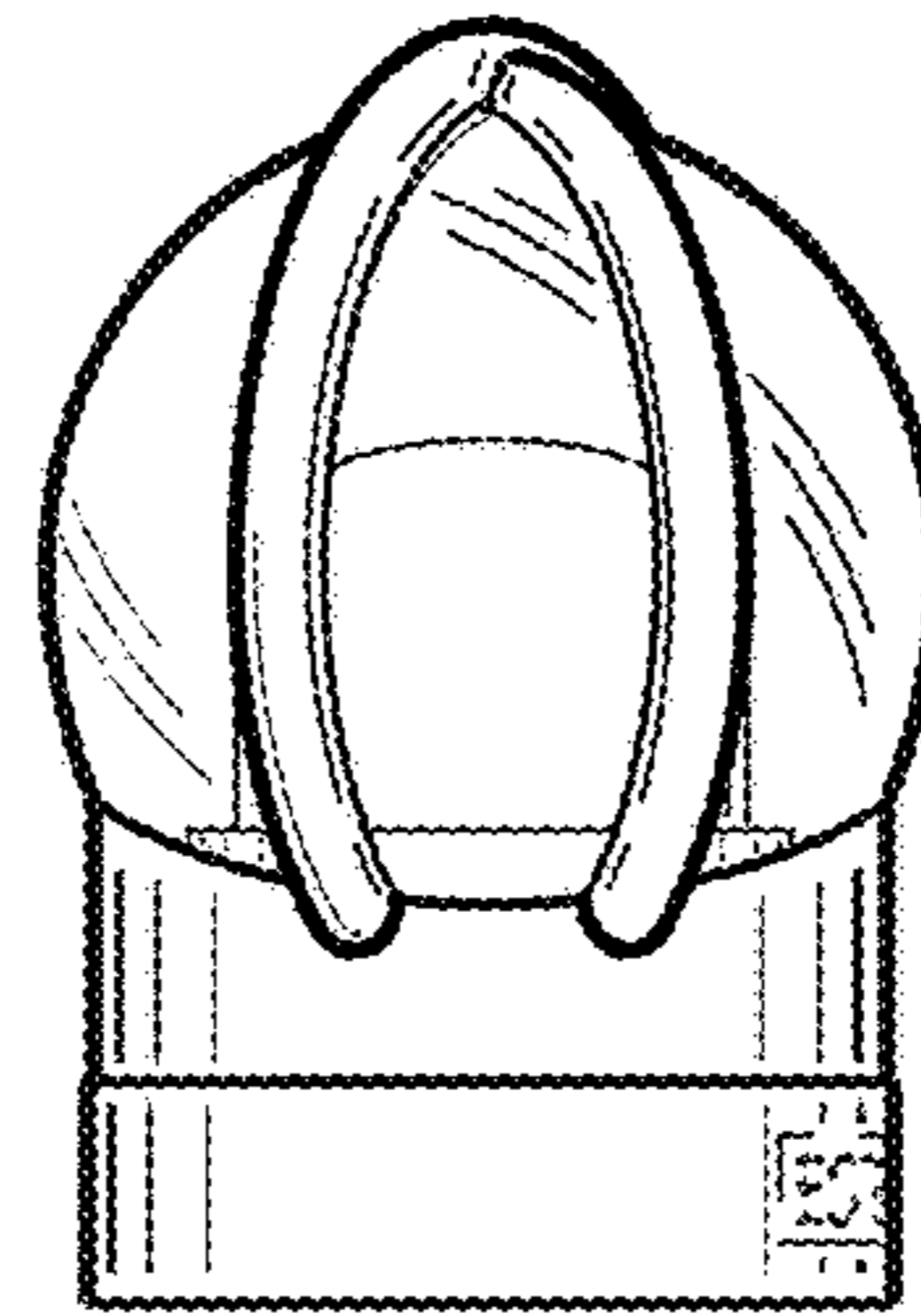


FIG. 6

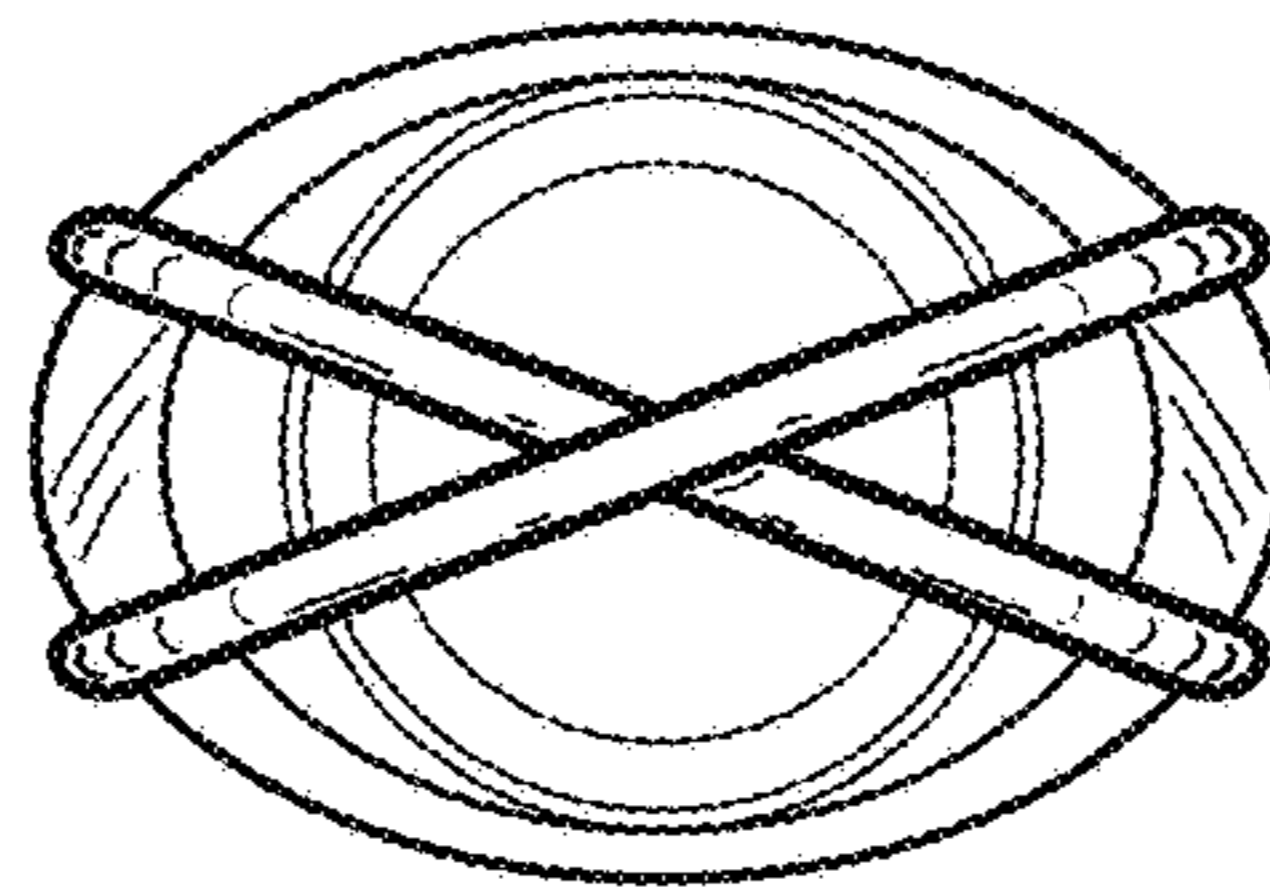


FIG. 7

