



US00D858279S

(12) **United States Design Patent** (10) **Patent No.:** **US D858,279 S**  
**Trombetta** (45) **Date of Patent:** **\*\* Sep. 3, 2019**

- (54) **CAPSULE**
- (71) Applicant: **2266170 Ontario Inc.**, Mississauga, Ontario (CA)
- (72) Inventor: **Liberatore A. Trombetta**, Ancaster (CA)
- (73) Assignee: **2266170 Ontario Inc.** (CA)
- (\*\*) Term: **15 Years**
- (21) Appl. No.: **29/582,606**
- (22) Filed: **Oct. 28, 2016**

2,919,844 A 1/1960 Anderson  
 3,128,029 A 4/1964 Price et al.  
 3,527,020 A 9/1970 Mancini  
 (Continued)

**FOREIGN PATENT DOCUMENTS**

CN 3102737 2/1999  
 CN 3102740 2/1999  
 (Continued)

**OTHER PUBLICATIONS**

U.S. Appl. No. 29/464,387, titled "Capsule," filed Aug. 15, 2013 (unpublished).

*Primary Examiner* — Dana Meyrow  
 (74) *Attorney, Agent, or Firm* — Saidman DesignLaw Group, LLC

**Related U.S. Application Data**

- (63) Continuation of application No. 29/485,783, filed on Mar. 21, 2014, now Pat. No. Des. 770,286.
- (51) **LOC (12) Cl.** ..... **09-01**
- (52) **U.S. Cl.**  
USPC ..... **D9/434; D9/416; D9/500**
- (58) **Field of Classification Search**  
USPC ..... D9/414, 416, 418, 424–425, 427–428, D9/434–435, 454, 500, 503–505, 516, D9/518, 549, 558, 715–716, 719; D11/152; D7/507, 509–511, 523, D7/601–603, 612, 615, 629–630, 400; D20/11, 22, 28  
CPC . B65D 1/00; B65D 1/26; B65D 1/265; B65D 17/00; B65D 17/02; B65D 17/50; B65D 17/501; B65D 23/00; B65D 81/00; B65D 85/804; B65D 85/8043; B65D 85/8046; B65D 2501/00; B65D 2501/0009; B65D 25/00; B65D 2543/00833  
See application file for complete search history.

**CLAIM**

(57) The ornamental design for a capsule, as shown and described.

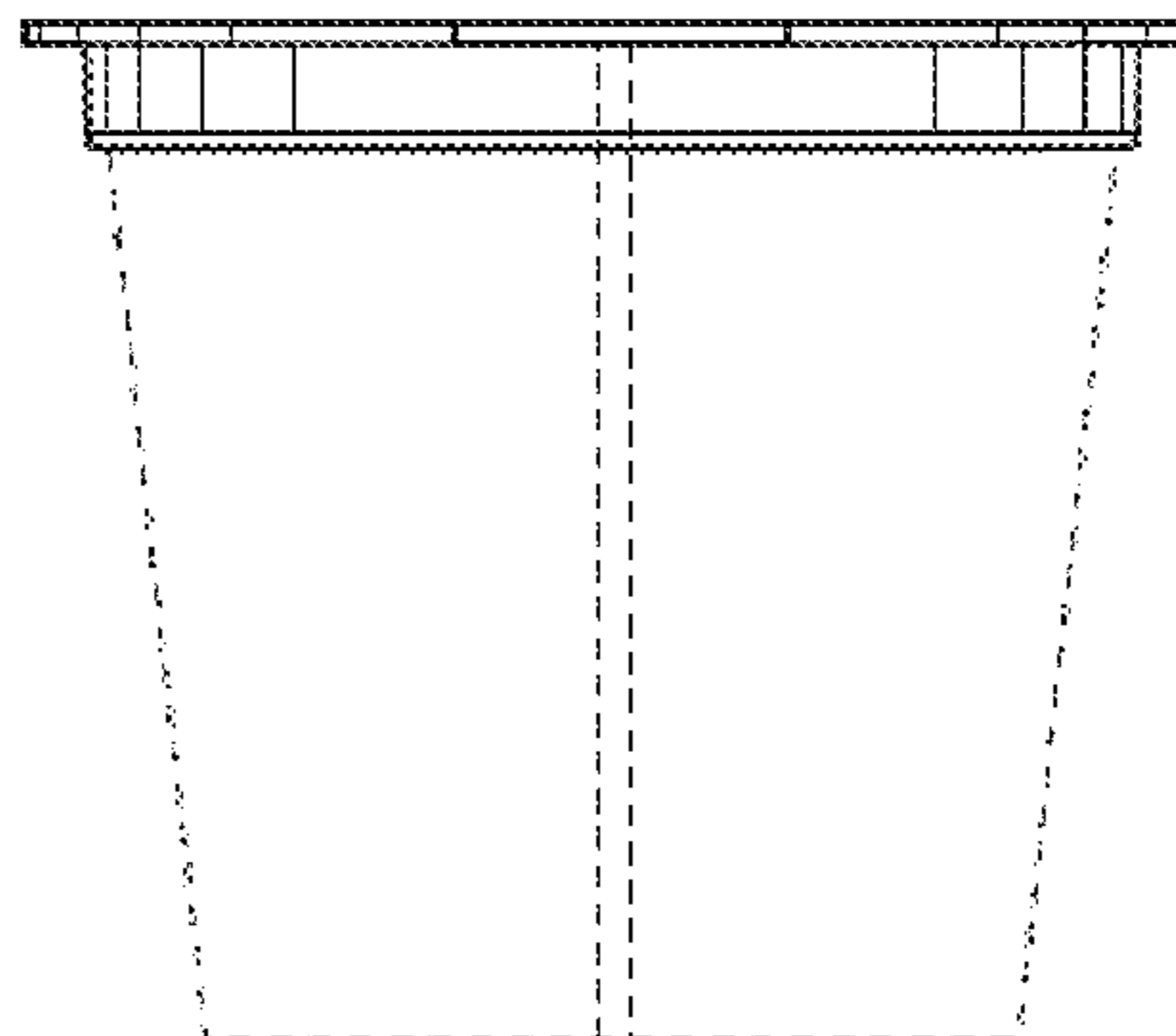
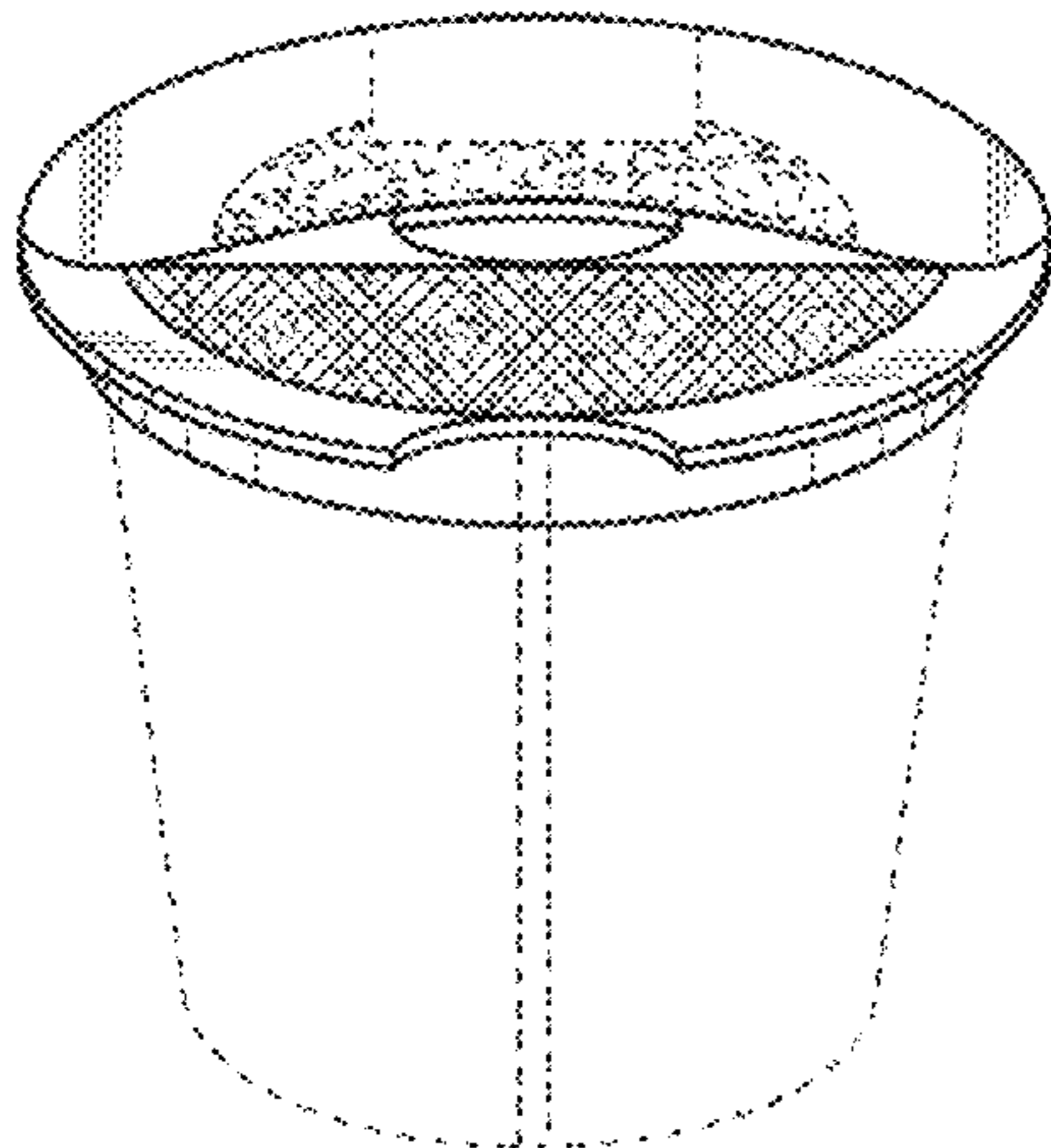
**DESCRIPTION**

FIG. 1 is a perspective view of a capsule showing my new design, showing the top cover partially removed wherein the intersecting diagonal lines represent a filter;  
 FIG. 2 is another perspective view thereof, showing the top cover in a closed position;  
 FIG. 3 is a front view thereof;  
 FIG. 4 is a left side view thereof, the right side view being a mirror image thereof;  
 FIG. 5 is a rear view thereof;  
 FIG. 6 is a top view thereof; and,  
 FIG. 7 is a bottom view thereof.  
 The broken lines in the drawings represent structure and features of the capsule which form no part of the claimed design. The two closely placed vertical broken lines centered on the front surface of the capsule are unclaimed lines on a claimed surface.

**1 Claim, 4 Drawing Sheets**

(56) **References Cited**  
**U.S. PATENT DOCUMENTS**

D4,260 S 7/1870 Doyle  
 2,828,789 A 4/1958 Geisler et al.



(56)

References Cited

U.S. PATENT DOCUMENTS

D241,228 S 8/1976 Boduch  
 D244,063 S 4/1977 Christian  
 D247,548 S 3/1978 Crary  
 D258,350 S 2/1981 Scott et al.  
 D259,625 S 6/1981 Hamilton et al.  
 D263,447 S 3/1982 Brown  
 D280,075 S 8/1985 Haag, Sr.  
 D280,076 S 8/1985 Haag, Sr.  
 D312,400 S 11/1990 Schwaikert  
 D321,477 S 11/1991 Gunter  
 D334,113 S 3/1993 Lewis et al.  
 D416,796 S 11/1999 Smith  
 6,237,777 B1 5/2001 Bierly  
 D445,674 S 7/2001 Pritchett  
 D452,433 S 12/2001 Lazaris  
 D452,434 S 12/2001 Sweeney  
 D467,800 S 12/2002 Chen et al.  
 D473,788 S 4/2003 Chen et al.  
 D474,110 S 5/2003 Sweeney  
 D474,111 S 5/2003 Lazaris  
 D501,368 S 2/2005 Roth et al.  
 D502,362 S 3/2005 Lazaris et al.  
 7,118,800 B2\* 10/2006 Shirane ..... B32B 27/36  
 428/212  
 D536,579 S 2/2007 Roth et al.  
 D568,156 S 5/2008 Wilson et al.  
 7,371,455 B2\* 5/2008 Shirane ..... B32B 27/36  
 428/212  
 D572,133 S 7/2008 Wilson et al.  
 D577,253 S 9/2008 Bodum  
 D577,288 S 9/2008 Wilson et al.  
 D606,363 S 12/2009 Aardenburg  
 D632,563 S 2/2011 Sitabkhan et al.  
 D637,484 S 5/2011 Winkler  
 D642,454 S 8/2011 Santoiemmo  
 D642,455 S 8/2011 Santoiemmo  
 D646,968 S 10/2011 Ortiz et al.  
 D647,398 S 10/2011 Winkler  
 D647,399 S 10/2011 Winkler  
 D652,266 S 1/2012 Smyers  
 D656,009 S 3/2012 Ortiz et al.  
 D656,010 S 3/2012 Ortiz et al.  
 D658,493 S 5/2012 Cometto  
 D671,831 S 12/2012 Moreau  
 D686,916 S 7/2013 O'Brien  
 D687,297 S 8/2013 O'Brien et al.  
 D694,620 S\* 12/2013 Hansen ..... D9/429  
 D698,649 S 2/2014 Quint  
 D700,839 S 3/2014 O'Brien et al.  
 D703,039 S\* 4/2014 Hansen ..... D9/429  
 D715,649 S 10/2014 O'Brien  
 D726,537 S 4/2015 Trombetta  
 D730,174 S 5/2015 O'Brien  
 D730,734 S\* 6/2015 Rapparini ..... D9/454  
 D731,884 S 6/2015 Trombetta  
 D731,890 S 6/2015 Trombetta  
 D732,390 S 6/2015 Trombetta  
 D732,949 S\* 6/2015 Schroeder ..... D9/416  
 D736,621 S 8/2015 Ivancic

D746,682 S 1/2016 Trombetta  
 D752,972 S\* 4/2016 Goldstein ..... D9/429  
 D753,491 S 4/2016 Trombetta  
 D761,108 S 7/2016 Trombetta  
 D769,726 S 10/2016 Trombetta  
 D770,286 S\* 11/2016 Trombetta ..... D9/503  
 2005/0218143 A1\* 10/2005 Niederer ..... B65D 77/206  
 220/359.2  
 2009/0200301 A1 8/2009 Beekman et al.  
 2010/0288131 A1 11/2010 Kilber et al.  
 2011/0183048 A1 7/2011 Noble et al.  
 2012/0097602 A1 4/2012 Tedford  
 2014/0120217 A1 5/2014 O'Brien et al.  
 2014/0120218 A1 5/2014 O'Brien et al.  
 2014/0161936 A1 6/2014 Trombetta et al.  
 2014/0308406 A1 10/2014 O'Brien et al.  
 2014/0377413 A1 12/2014 Liu  
 2015/0150409 A1 6/2015 Cross et al.  
 2015/0166257 A1\* 6/2015 Trombetta ..... B65D 85/8043  
 426/87

FOREIGN PATENT DOCUMENTS

CN 3102741 2/1999  
 CN 3103590 2/1999  
 CN 3336639 11/2003  
 CN 3336640 11/2003  
 CN 3336646 11/2003  
 CN 3340286 12/2003  
 CN 3386161 8/2004  
 CN 3429241 3/2005  
 CN 3442199 4/2005  
 CN 3442205 4/2005  
 CN 3448912 5/2005  
 CN 3448913 5/2005  
 CN 3469773 8/2005  
 CN 3570660 10/2006  
 CN 3597250 1/2007  
 CN 3614944 2/2007  
 CN 300707939 11/2007  
 CN 300707940 11/2007  
 CN 300707941 11/2007  
 CN 300707942 11/2007  
 CN 300710086 11/2007  
 CN 300710087 11/2007  
 CN 300710088 11/2007  
 CN 300710089 11/2007  
 CN 300815220 8/2008  
 CN 300833940 10/2008  
 CN 300843246 10/2008  
 CN 301347136 9/2010  
 CN 301437314 1/2011  
 CN 301505145 4/2011  
 CN 302041529 8/2012  
 CN 302141646 10/2012  
 CN 302141791 10/2012  
 CN 302297349 1/2013  
 CN 302370417 3/2013  
 CN 302439912 5/2013  
 KR 300341422.0000 12/2006

\* cited by examiner

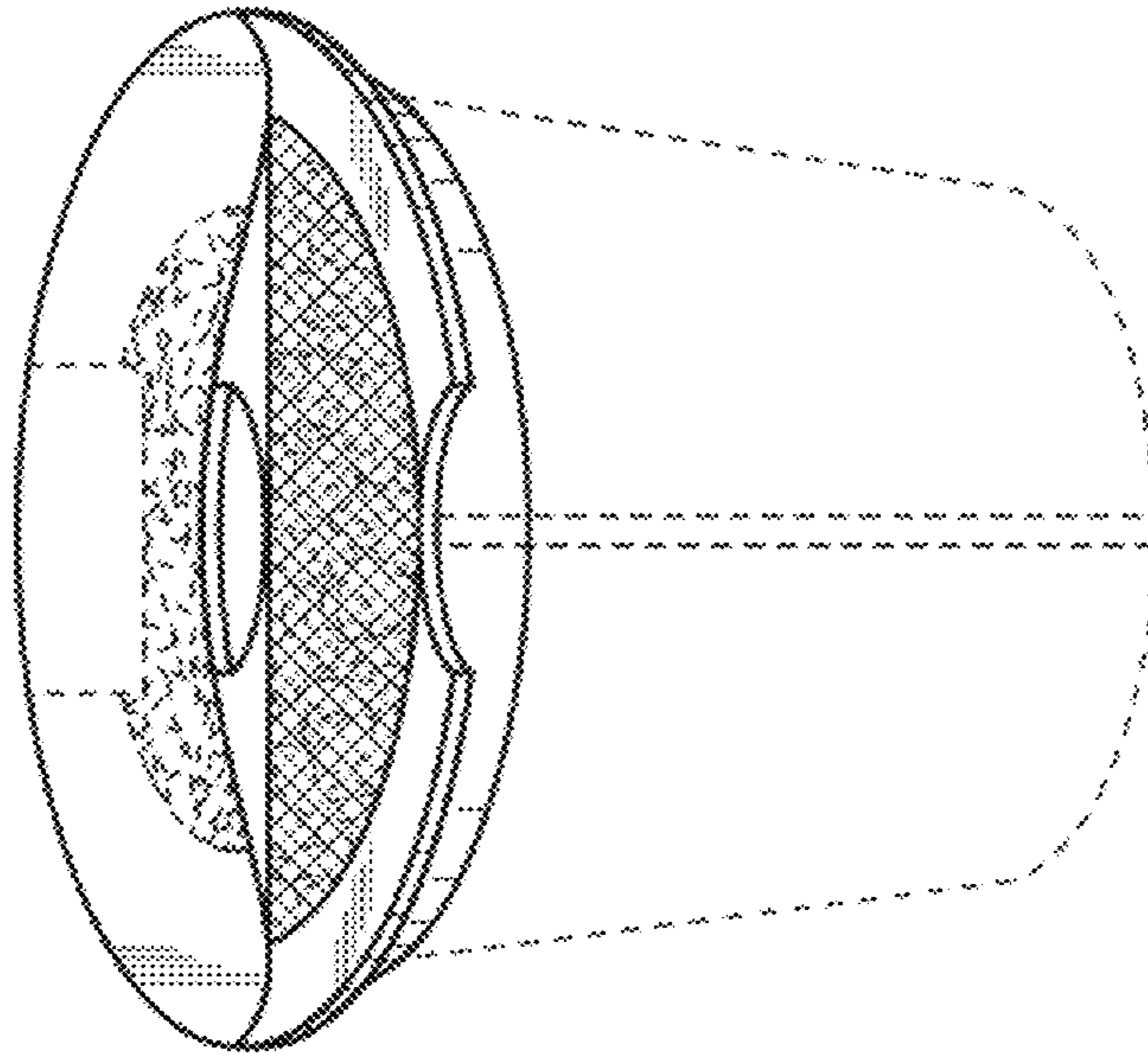


FIG. 1



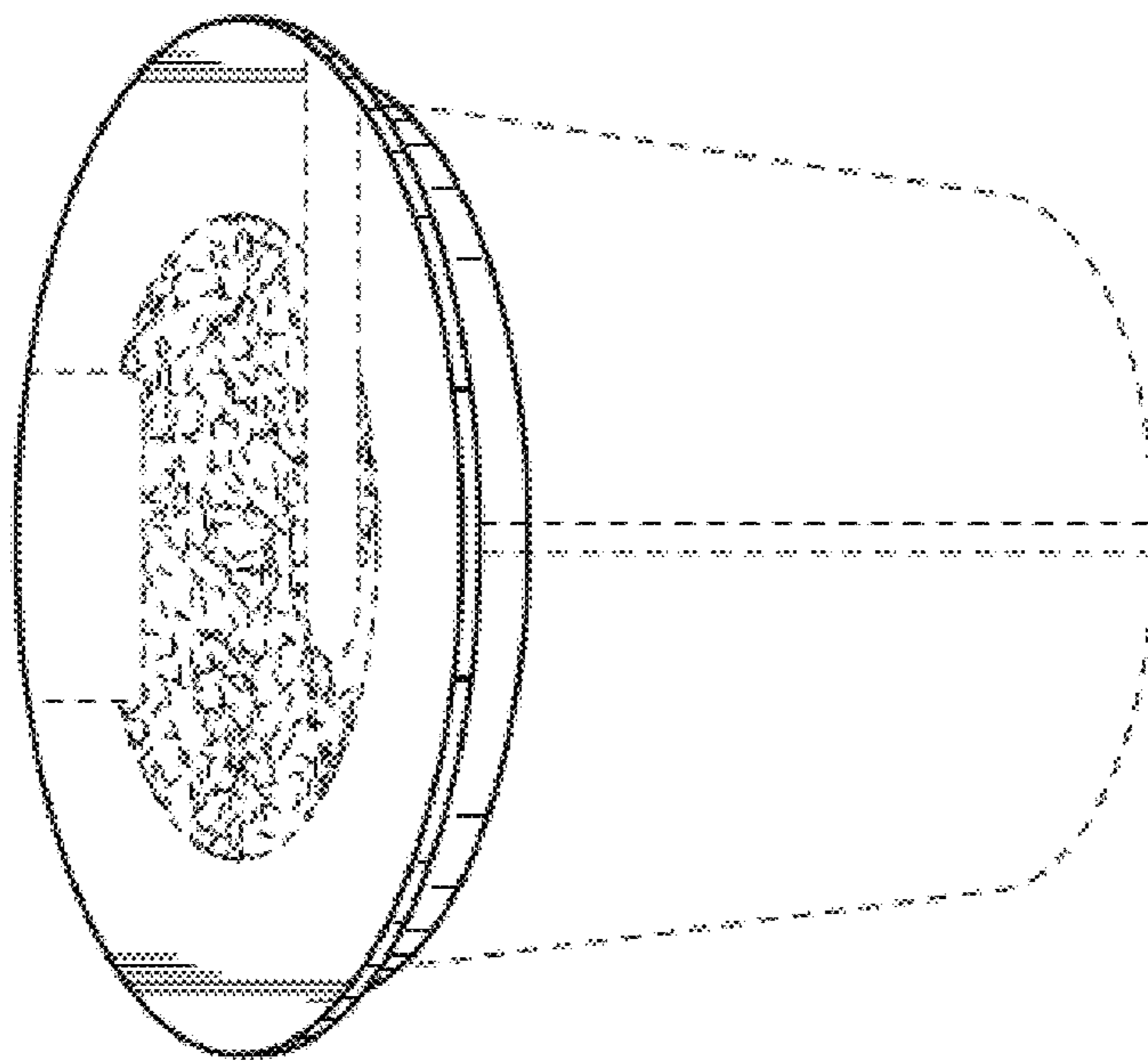


FIG. 2

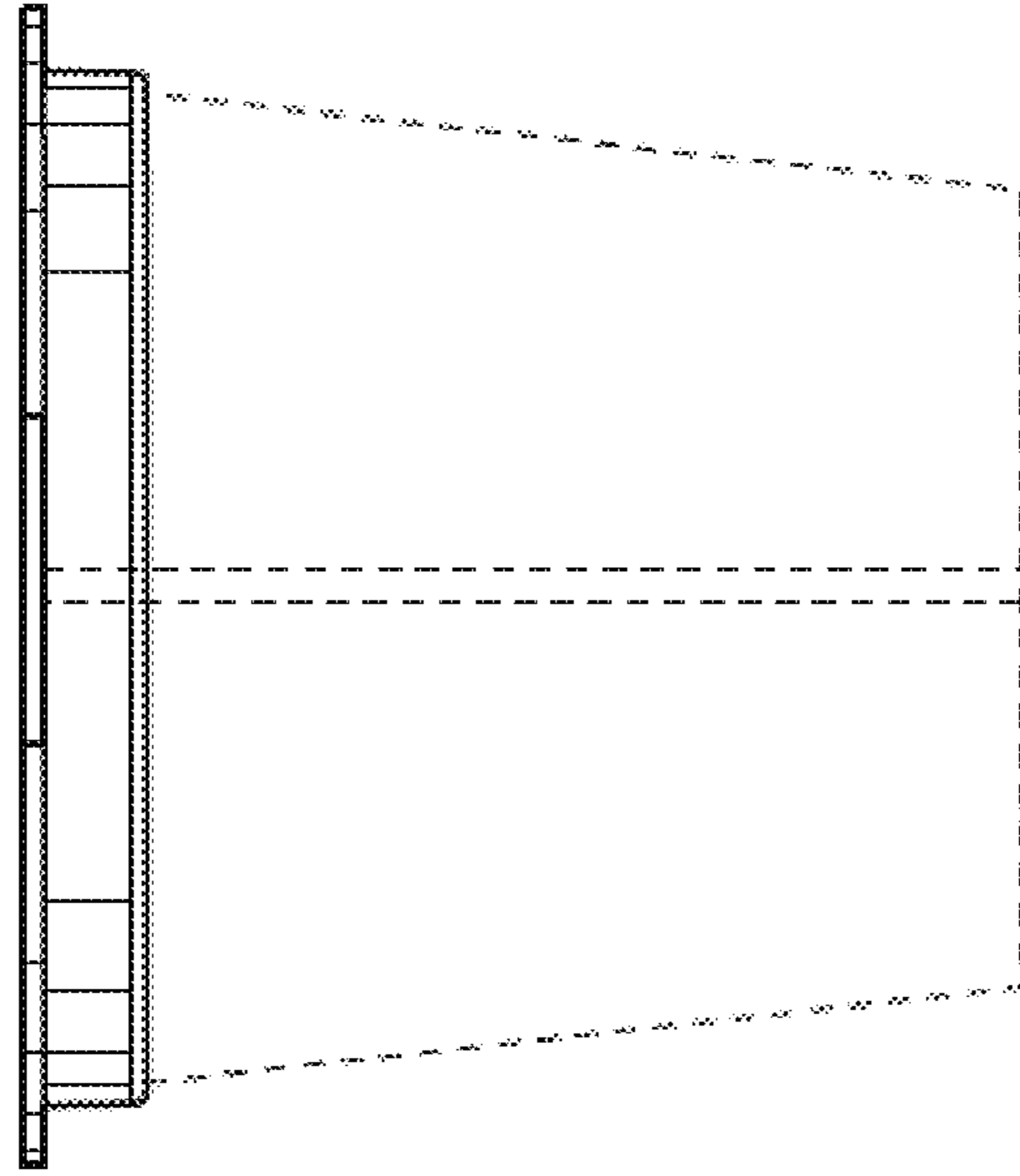


FIG. 3

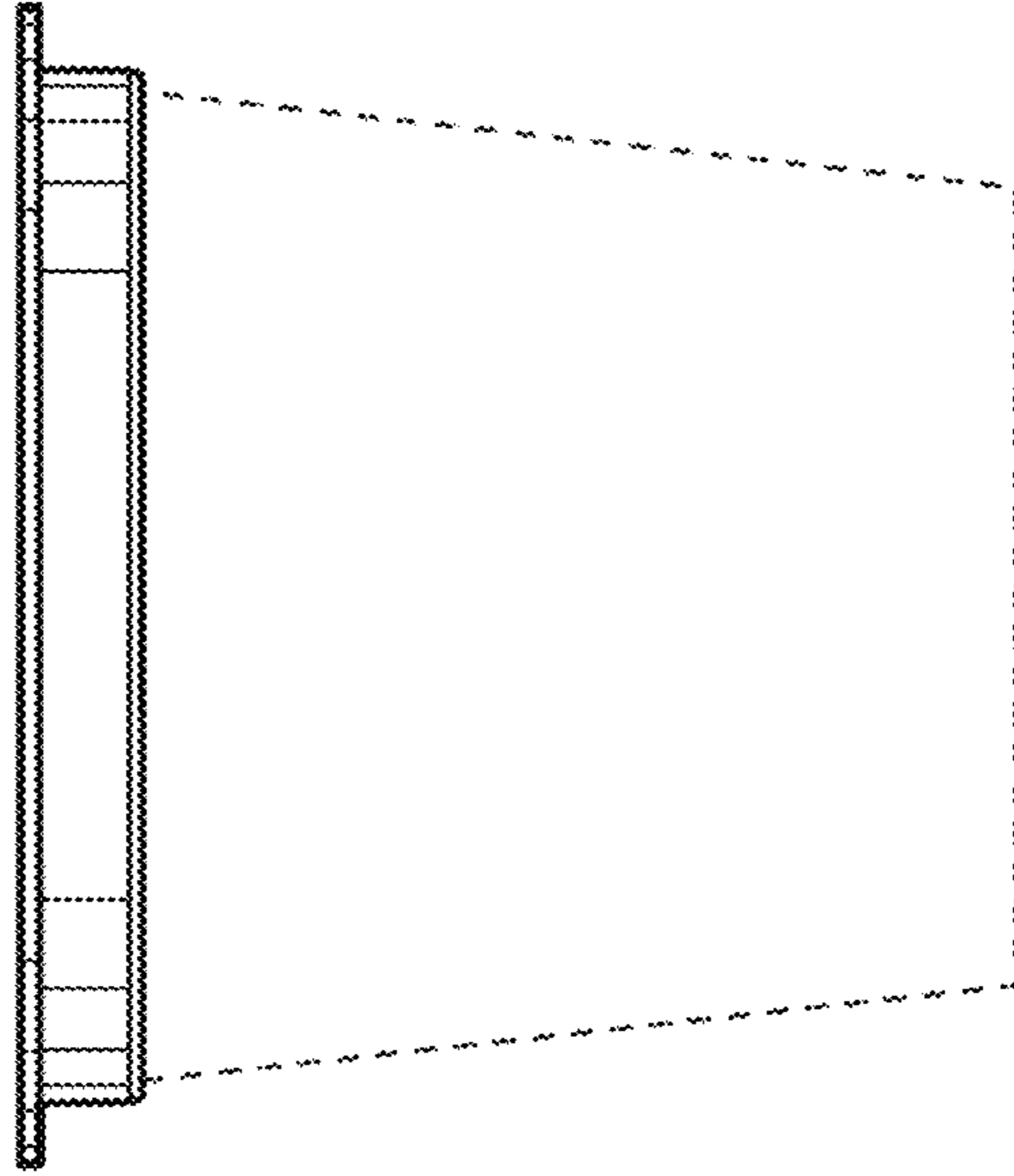


FIG. 5

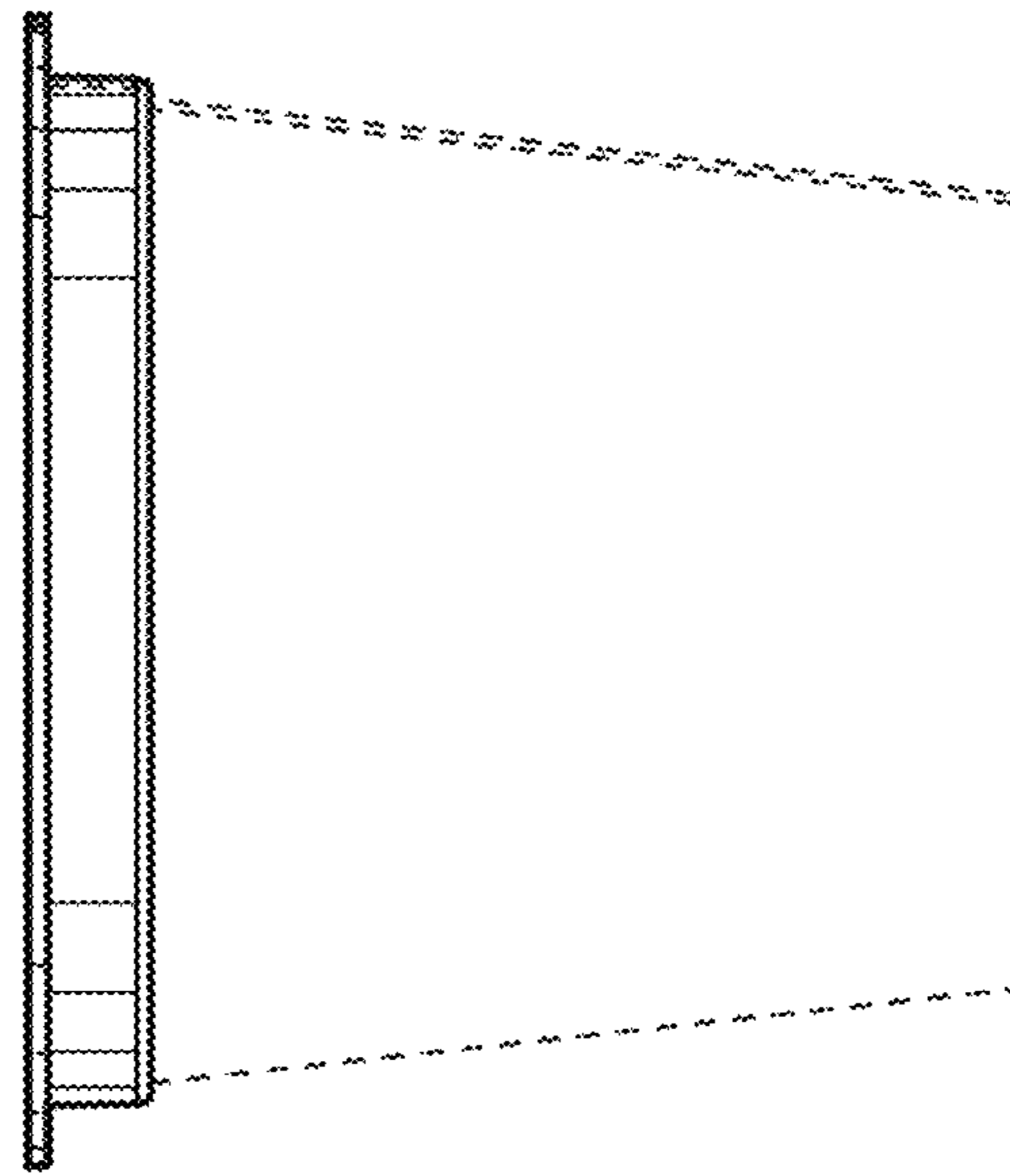


FIG. 4

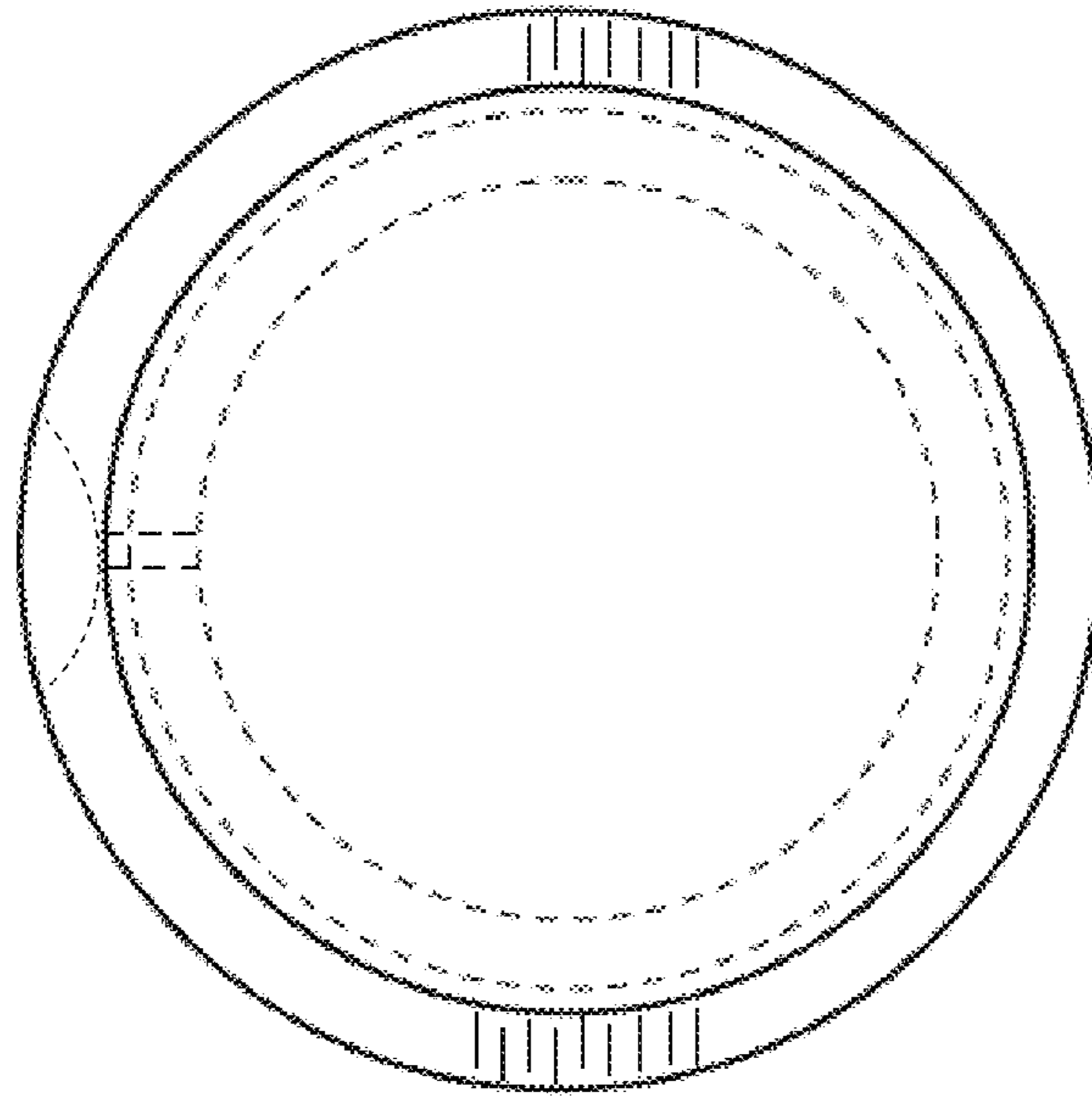


FIG. 7

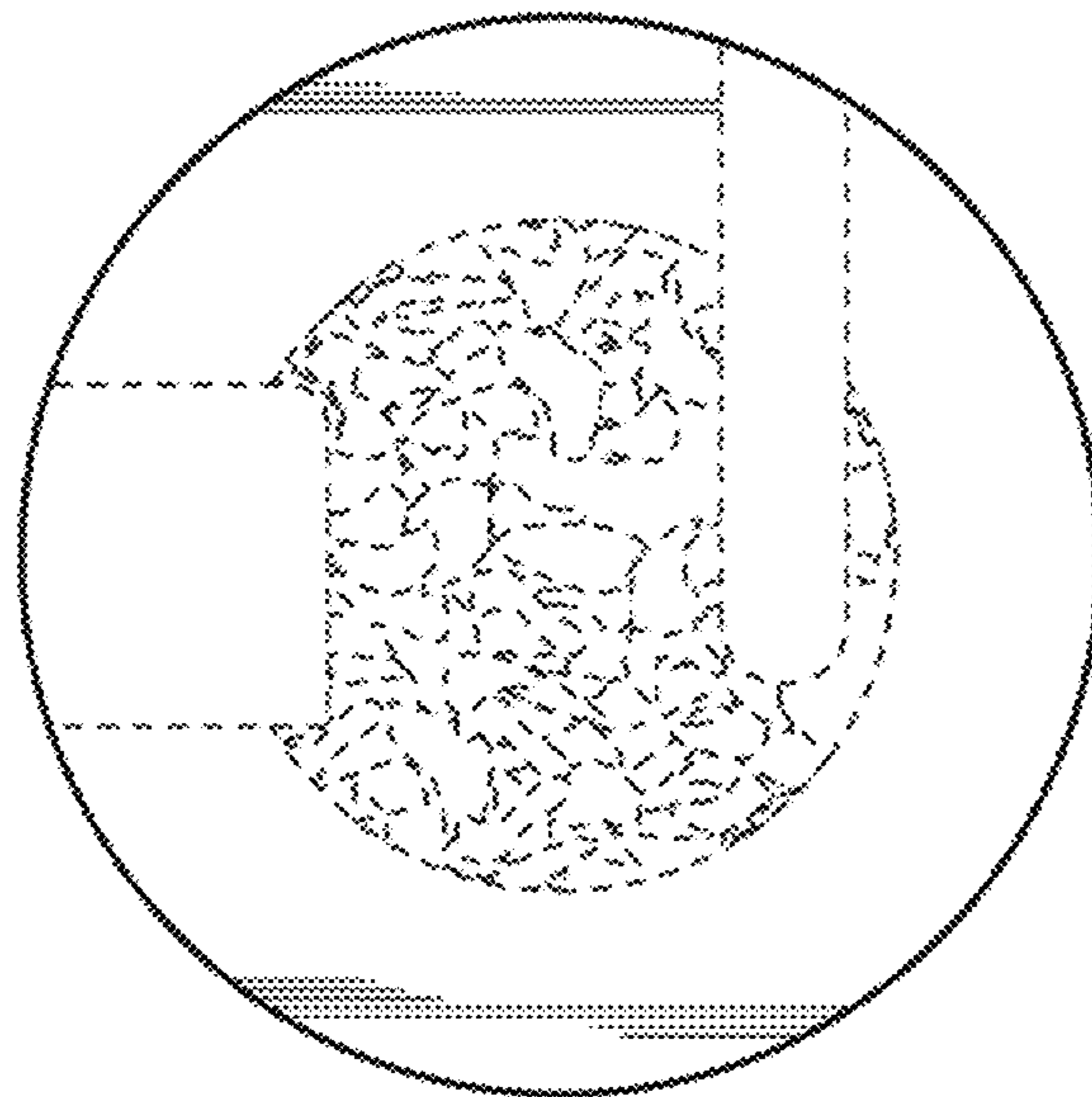


FIG. 6