



US00D858276S

(12) **United States Design Patent**  
**Blomberg et al.**

(10) **Patent No.:** **US D858,276 S**  
(45) **Date of Patent:** **\*\* Sep. 3, 2019**

- (54) **ROLLED PRODUCT CONTAINER**
- (71) Applicant: **POLLEN GEAR LLC**, Hermosa Beach, CA (US)
- (72) Inventors: **Shane Grant Blomberg**, Hermosa Beach, CA (US); **Edward Kilduff**, Hermosa Beach, CA (US)
- (73) Assignee: **Pollen Gear LLC**, Hermosa Beach, CA (US)
- (\*\*) Term: **15 Years**

- 2,708,026 A \* 5/1955 Duell ..... B65D 43/20  
206/539
- 4,947,989 A \* 8/1990 Horton ..... G11B 23/0233  
206/387.1
- 5,513,774 A \* 5/1996 Dominquez ..... B65D 83/0409  
221/232
- D406,921 S 3/1999 Roeder
- 6,341,693 B2 \* 1/2002 Konno ..... A45C 11/182  
206/38.1
- D465,729 S \* 11/2002 Nishimura ..... D9/422
- 6,551,672 B2 4/2003 Hessok et al.
- D479,462 S \* 9/2003 Chan ..... D9/422
- D484,409 S \* 12/2003 Haggerty ..... D9/432

(Continued)

(21) Appl. No.: **29/676,078**

*Primary Examiner* — Lauren R Calve

(22) Filed: **Jan. 8, 2019**

(74) *Attorney, Agent, or Firm* — RMCK Law Group PLC

**Related U.S. Application Data**

(63) Continuation of application No. 29/601,826, filed on Apr. 26, 2017.

(51) **LOC (12) Cl.** ..... **09-03**

(52) **U.S. Cl.**  
USPC ..... **D9/432; D9/424**

(58) **Field of Classification Search**  
USPC ..... D9/414, 424, 723, 724, 726, 432;  
D3/201, 203.1, 295–298

CPC ..... B65D 85/00; B65D 43/20; B65D 43/12;  
B65D 81/113; B65D 83/0409; B65D  
81/05; B65D 81/02; B65D 85/30; B65D  
5/5038; B65D 83/04; B65D 2519/00323;  
B65D 2581/055; B65D 81/127; B65D  
2583/0454; B65D 81/133; B65D  
2519/00273

See application file for complete search history.

(56) **References Cited**

**U.S. PATENT DOCUMENTS**

- 828,151 A \* 8/1906 Upjohn ..... B65D 43/12  
206/535
- 2,295,747 A \* 9/1942 Mills ..... B65D 43/12  
220/351

(57) **CLAIM**

The ornamental design for a rolled product container, as shown and described.

**DESCRIPTION**

FIG. 1 is a top perspective view of a rolled product container in a closed condition in accordance with the present design. FIG. 2 is a bottom perspective view of the rolled product container of FIG. 1.

FIG. 3 is a first side view of the rolled product container of FIG. 1.

FIG. 4 is a second side view of the rolled product container of FIG. 1.

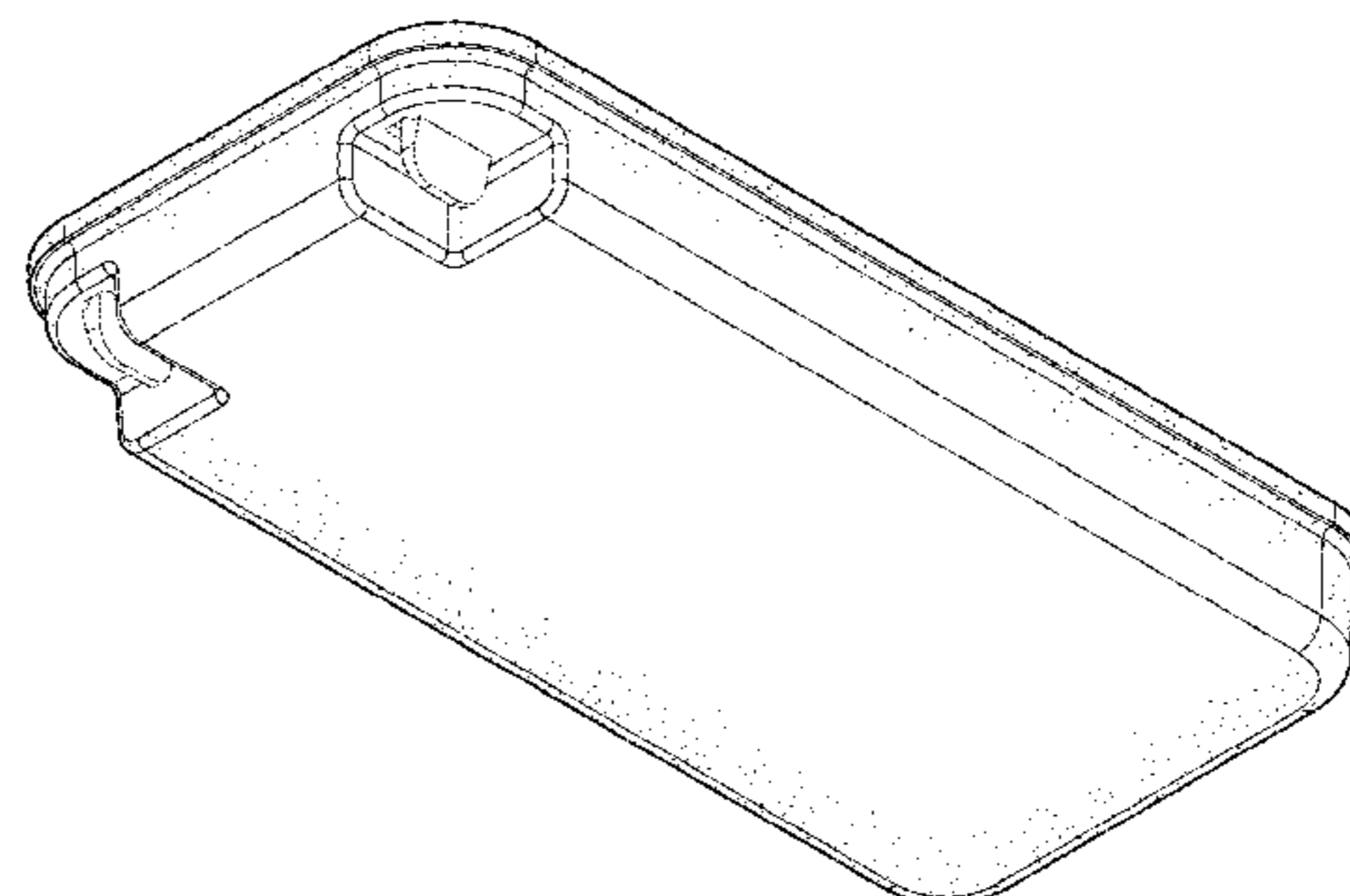
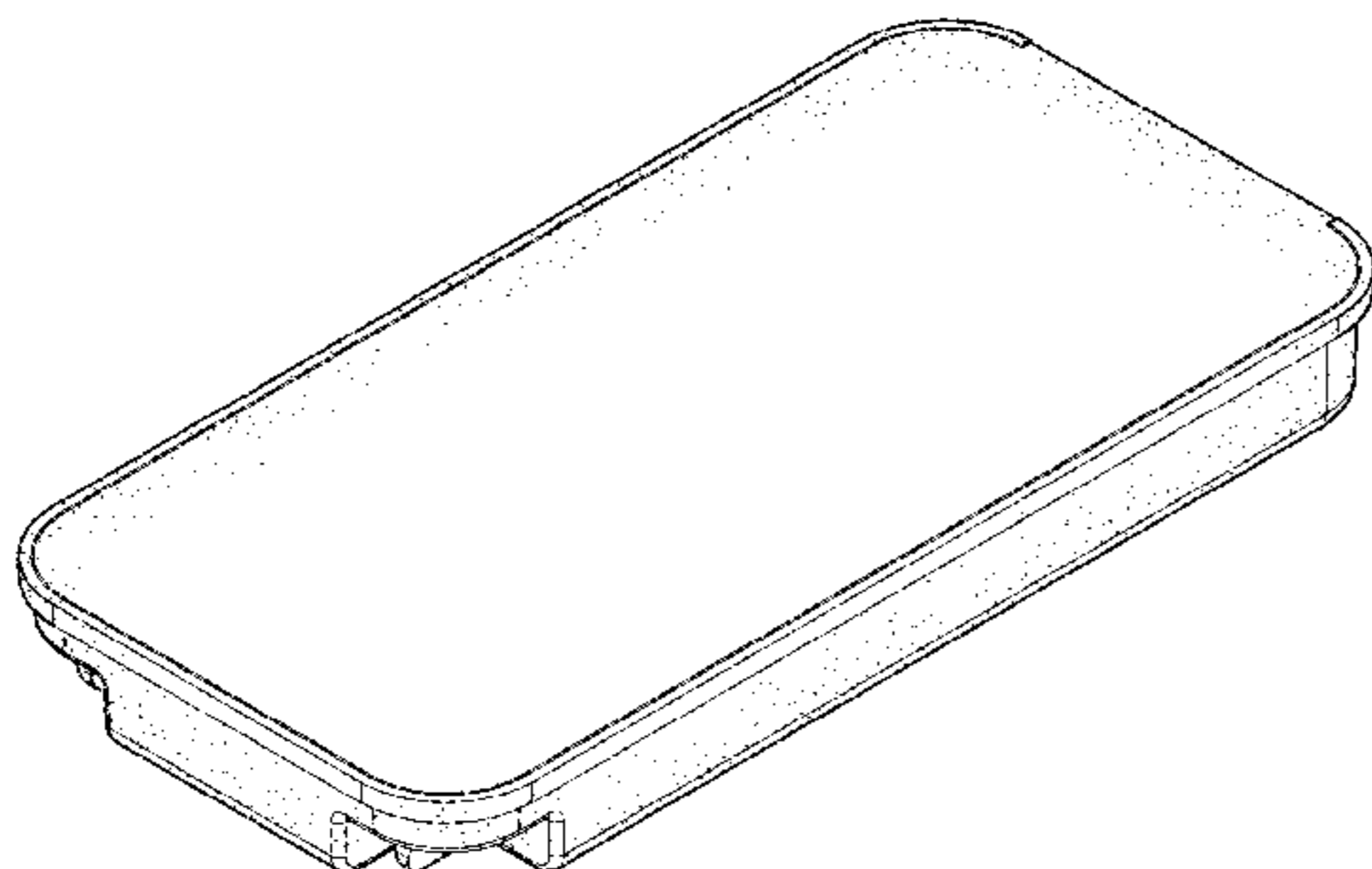
FIG. 5 is a third side view of the rolled product container of FIG. 1.

FIG. 6 is a fourth side view of the rolled product container of FIG. 1.

FIG. 7 is a top view of the rolled product container of FIG. 1; and,

FIG. 8 is a bottom view of the rolled product container of FIG. 1.

**1 Claim, 6 Drawing Sheets**



(56)

References Cited

U.S. PATENT DOCUMENTS

D507,679 S 7/2005 Ashiwa et al.  
 D510,860 S \* 10/2005 Dixon ..... D9/422  
 D522,866 S 6/2006 Bakic  
 D534,069 S \* 12/2006 Ohno ..... D3/298  
 D546,671 S \* 7/2007 Cronin ..... D9/420  
 D565,952 S 4/2008 Mettler et al.  
 D624,239 S 9/2010 Breidenbach et al.  
 D626,005 S 10/2010 Duquet  
 D628,089 S 11/2010 Ashiwa et al.  
 D645,244 S \* 9/2011 Rietjens ..... D3/203.3  
 8,066,121 B2 \* 11/2011 Sack ..... B65D 75/327  
 206/531  
 D715,156 S 10/2014 Park  
 8,956,066 B2 2/2015 Young et al.  
 D731,309 S \* 6/2015 Lee ..... D9/432  
 D732,893 S 6/2015 Bronwasser et al.  
 D735,946 S 8/2015 Ko  
 D737,149 S 8/2015 Son  
 D741,703 S \* 10/2015 Janson ..... D9/424  
 D799,328 S 10/2017 Puigbo  
 D827,450 S 9/2018 Loukov  
 D828,113 S 9/2018 Fleischhut  
 D828,164 S 9/2018 Kim

2004/0055903 A1\* 3/2004 Nishimura ..... A45C 11/14  
 206/1.5  
 2005/0263539 A1\* 12/2005 Haggerty ..... B65D 83/0409  
 221/263  
 2006/0037484 A1\* 2/2006 Dixon ..... A47J 47/01  
 99/426  
 2007/0164032 A1\* 7/2007 Cronin ..... B65D 43/12  
 220/345.1  
 2007/0289985 A1\* 12/2007 Bieger ..... B65D 83/0481  
 221/24  
 2009/0223989 A1\* 9/2009 Gelardi ..... B65D 83/0409  
 221/1  
 2010/0012534 A1 1/2010 Hoffman  
 2010/0072206 A1\* 3/2010 Doyle ..... B65D 25/54  
 220/345.2  
 2011/0000814 A1\* 1/2011 Lee ..... B65D 83/04  
 206/528  
 2011/0168712 A1\* 7/2011 Bailey ..... B65D 83/0409  
 220/326  
 2013/0126379 A1\* 5/2013 Medhal ..... B65D 55/14  
 206/459.1  
 2014/0027341 A1\* 1/2014 Ludwig ..... B65D 77/042  
 206/536  
 2014/0203035 A1\* 7/2014 Giraud ..... B65D 35/28  
 221/197

\* cited by examiner

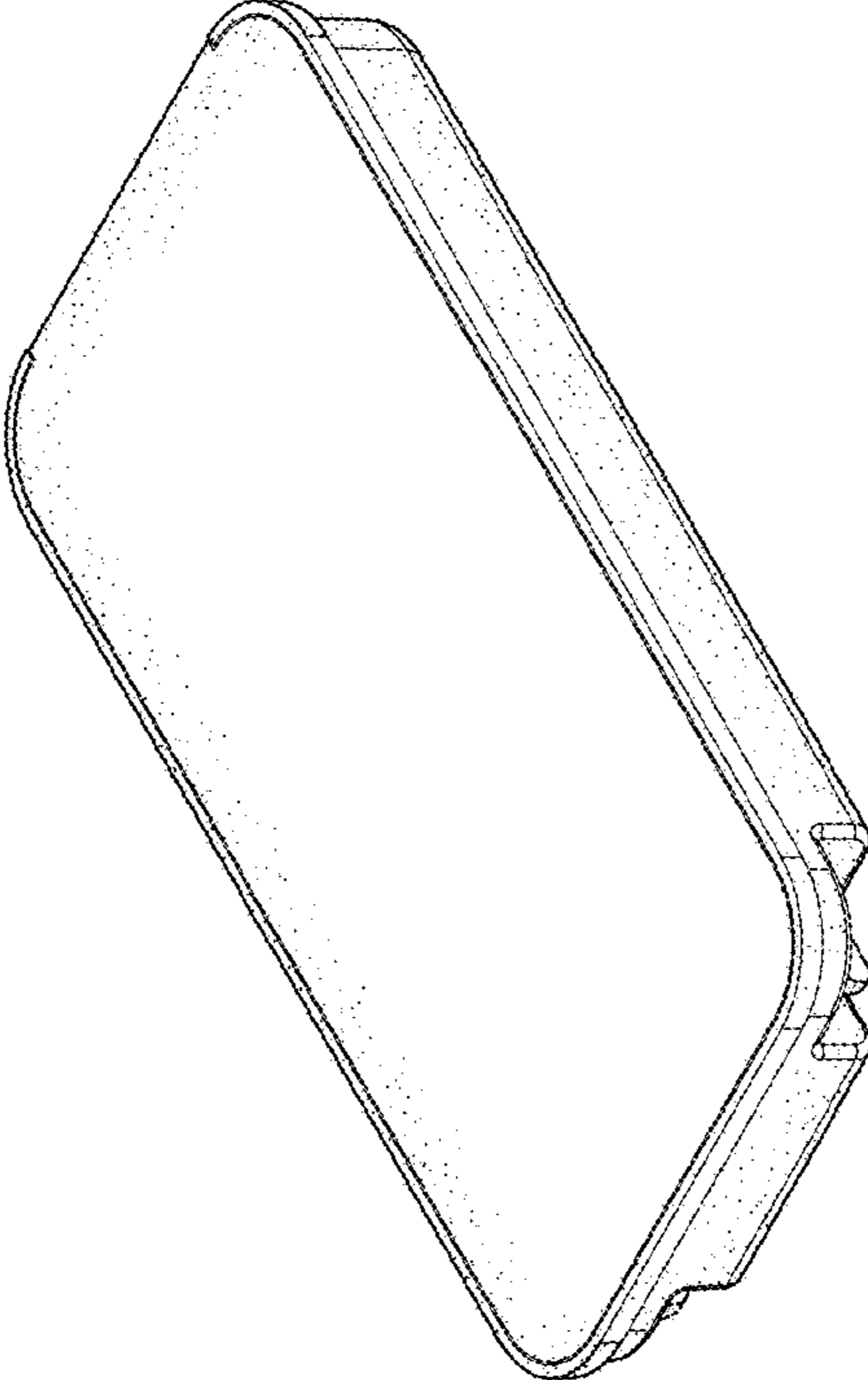


FIG. 1

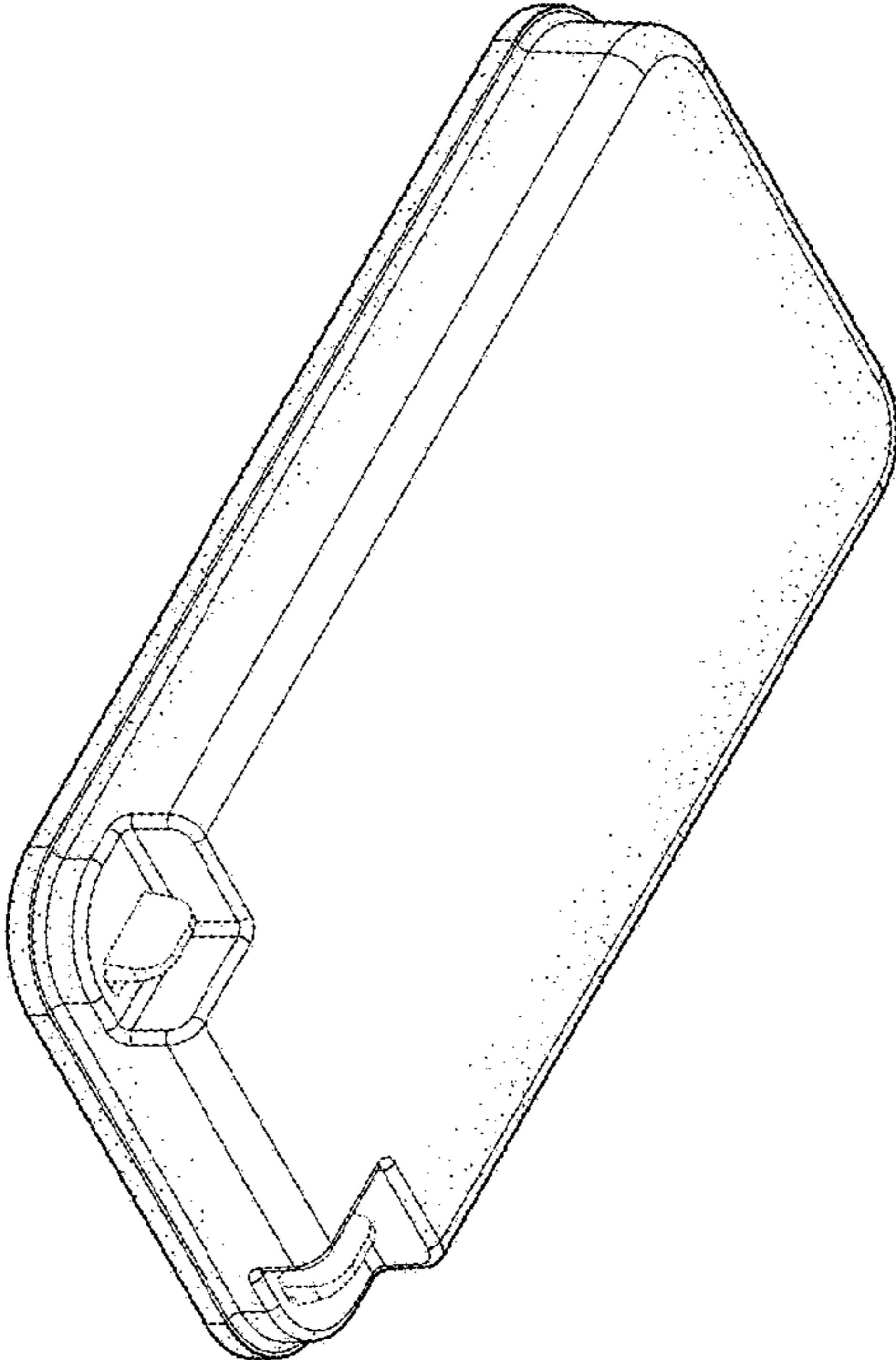


FIG.2

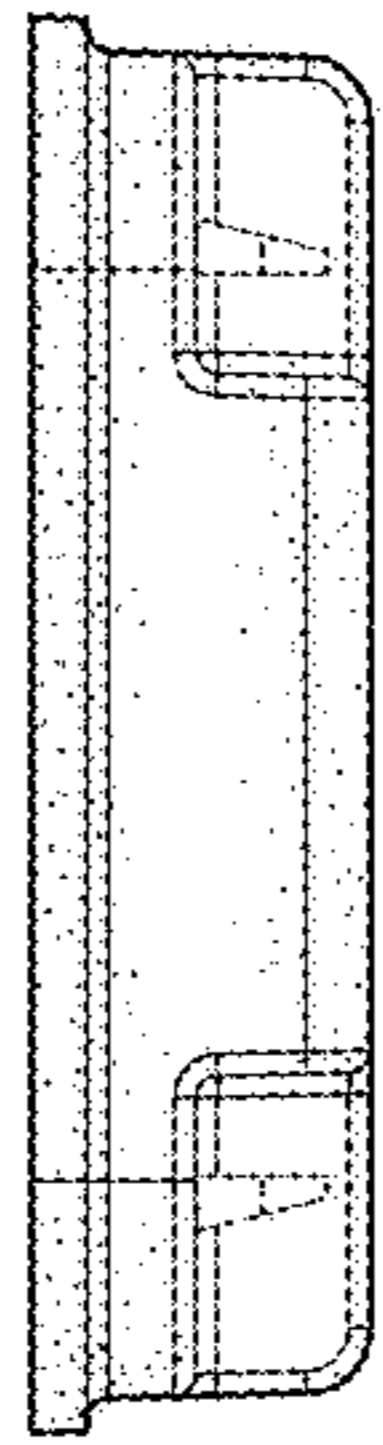


FIG.3

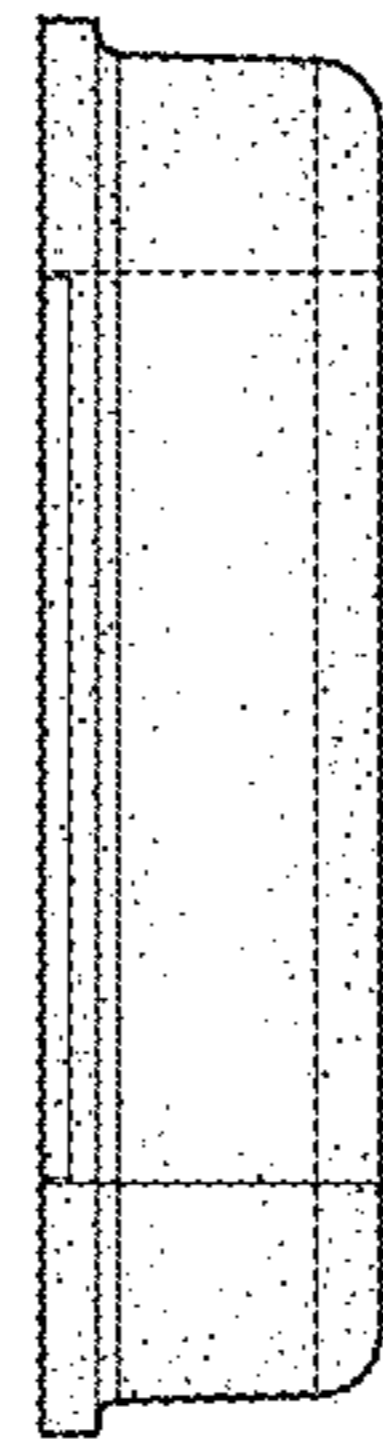


FIG.4

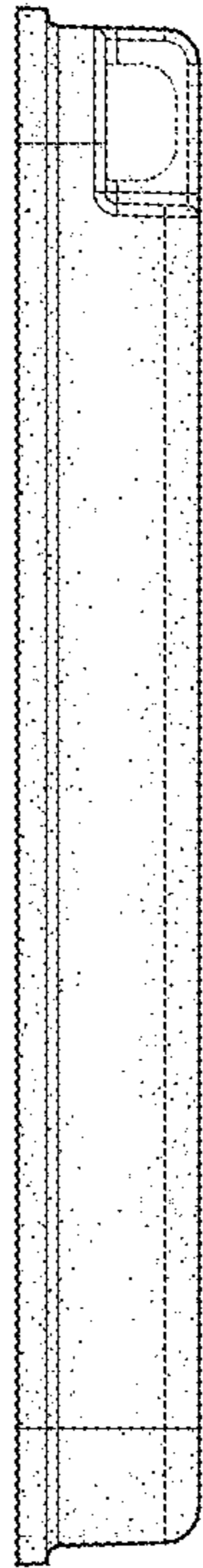


FIG.5

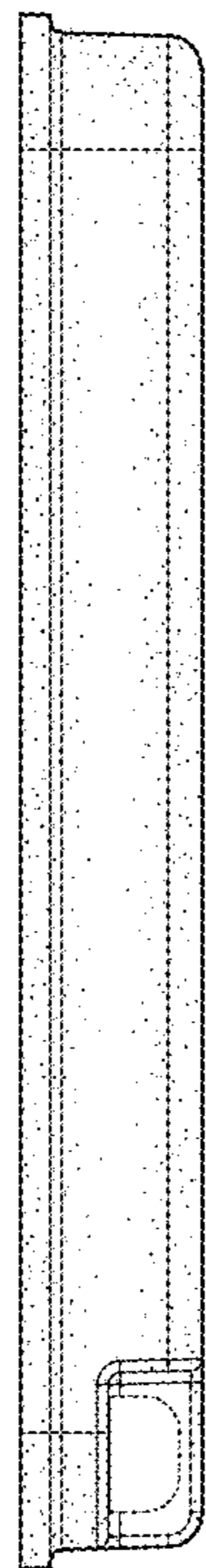


FIG.6

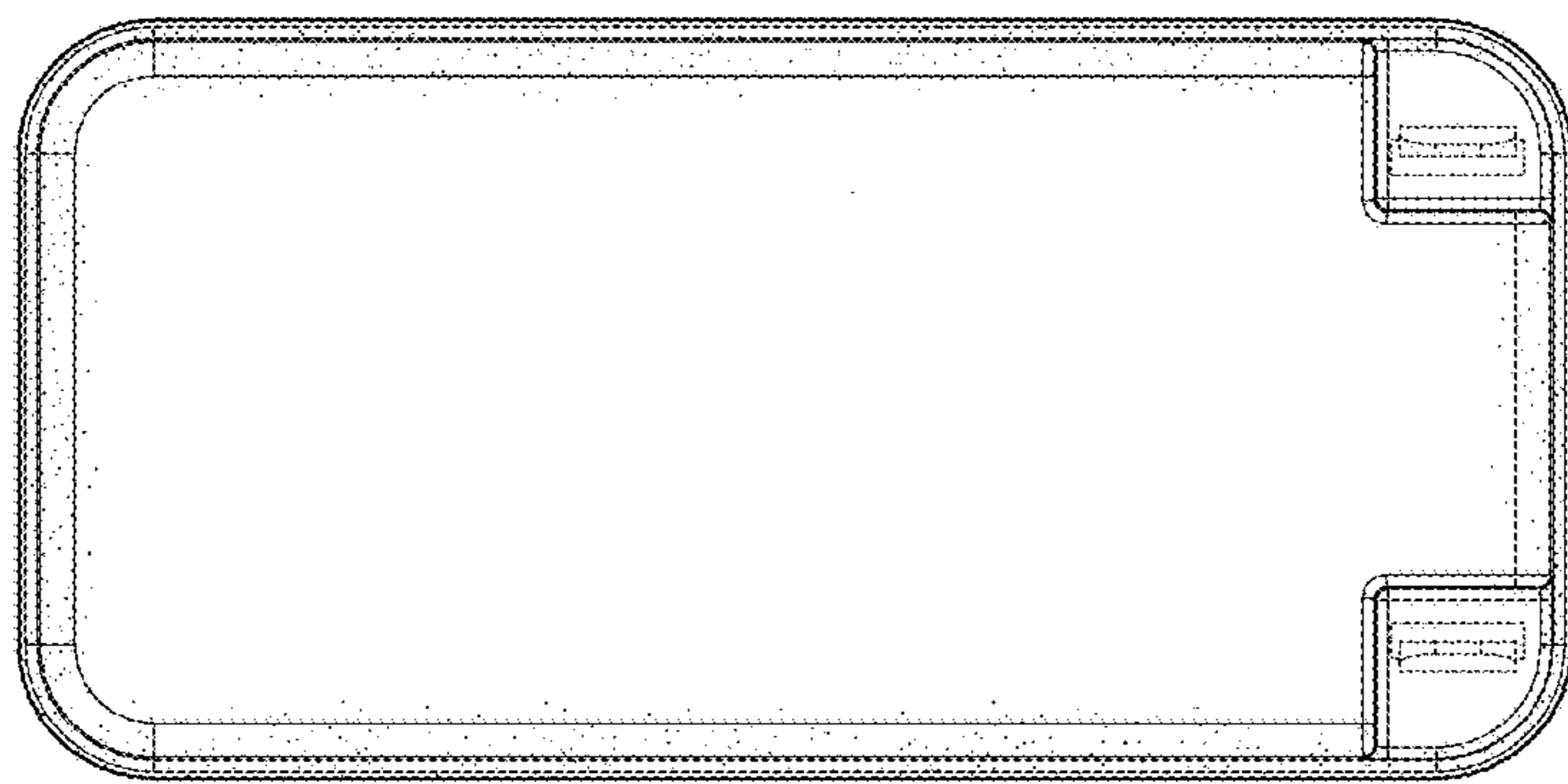


FIG. 8

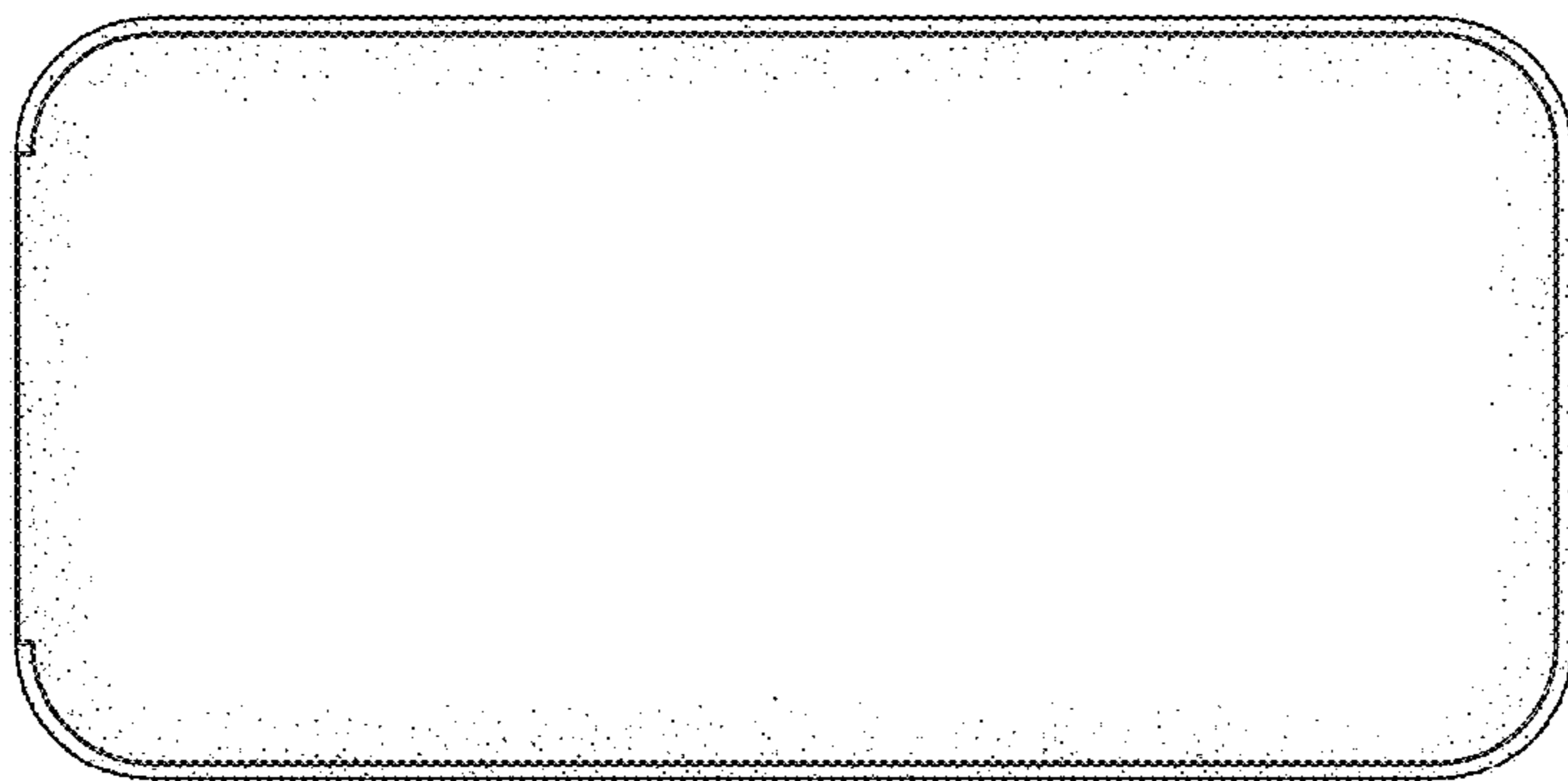


FIG. 7