



US00D858275S

(12) **United States Design Patent**  
**Martin**

(10) **Patent No.:** **US D858,275 S**  
(45) **Date of Patent:** **\*\* Sep. 3, 2019**

(54) **PACKAGE**

(71) Applicant: **Medline Industries, Inc.**, Northfield, IL (US)

(72) Inventor: **Tambra Martin**, Trevor, WI (US)

(73) Assignee: **Medline Industries, Inc.**, Northfield, IL (US)

(\*\*) Term: **15 Years**

(21) Appl. No.: **29/617,006**

(22) Filed: **Sep. 11, 2017**

(51) **LOC (12) Cl.** ..... **09-03**

(52) **U.S. Cl.**  
USPC ..... **D9/432**

(58) **Field of Classification Search**  
USPC ..... D9/414-419, 721-722, 420-423,  
D9/430-434; D3/290, 304, 305, 315;  
D7/601, 602, 612, 709

(Continued)

(56) **References Cited**

**U.S. PATENT DOCUMENTS**

2,100,644 A \* 11/1937 Groves ..... B65D 5/6673  
229/125.37  
2,493,281 A \* 1/1950 Anderson, Jr. .... B65D 5/36  
229/122.26

(Continued)

**OTHER PUBLICATIONS**

Business glossy packing folding gift box. Online, published date unknown. Retrieved on Dec. 9, 2018 from URL: <https://jemstone.manufacturer.globalsources.com/si/6008849665065/pdtl/Shoe-packaging/1163586830/Business-glossy-packing-folding-gift-box.htm>.\*

(Continued)

*Primary Examiner* — Susan Bennett Hattan

*Assistant Examiner* — Omeed Agilee

(74) *Attorney, Agent, or Firm* — Fitch, Even, Tabin & Flannery LLP

(57) **CLAIM**

The ornamental design for a package, as shown and described.

**DESCRIPTION**

FIG. 1 is a perspective view of the package according to a first embodiment of my new design;

FIG. 2 is a perspective view of the package of FIG. 1 showing the lid component removed from the lower box component;

FIG. 3 is a perspective view of the lower box component of FIG. 2;

FIG. 4 is a top plan view of the lower box component of FIG. 2;

FIG. 5 is a bottom plan view of the lower box component of FIG. 2;

FIG. 6 is a front elevation view of the lower box component of FIG. 2;

FIG. 7 is a rear elevation view of the lower box component of FIG. 2;

FIG. 8 is a left side elevation view of the lower box component of FIG. 2, the right side elevation view being a mirror image thereof;

FIG. 9 is a perspective view of the package according to a second embodiment of my new design showing the lid component removed from the lower box component;

FIG. 10 is a perspective view of the lower box component of FIG. 9;

FIG. 11 is a top plan view of the lower box component of FIG. 9;

FIG. 12 is a bottom plan view of the lower box component of FIG. 9;

FIG. 13 is a front elevation view of the lower box component of FIG. 9;

FIG. 14 is a rear elevation view of the lower box component of FIG. 9;

FIG. 15 is a left side elevation view of the lower box component of FIG. 9, the right side elevation view being a mirror image thereof;

(Continued)

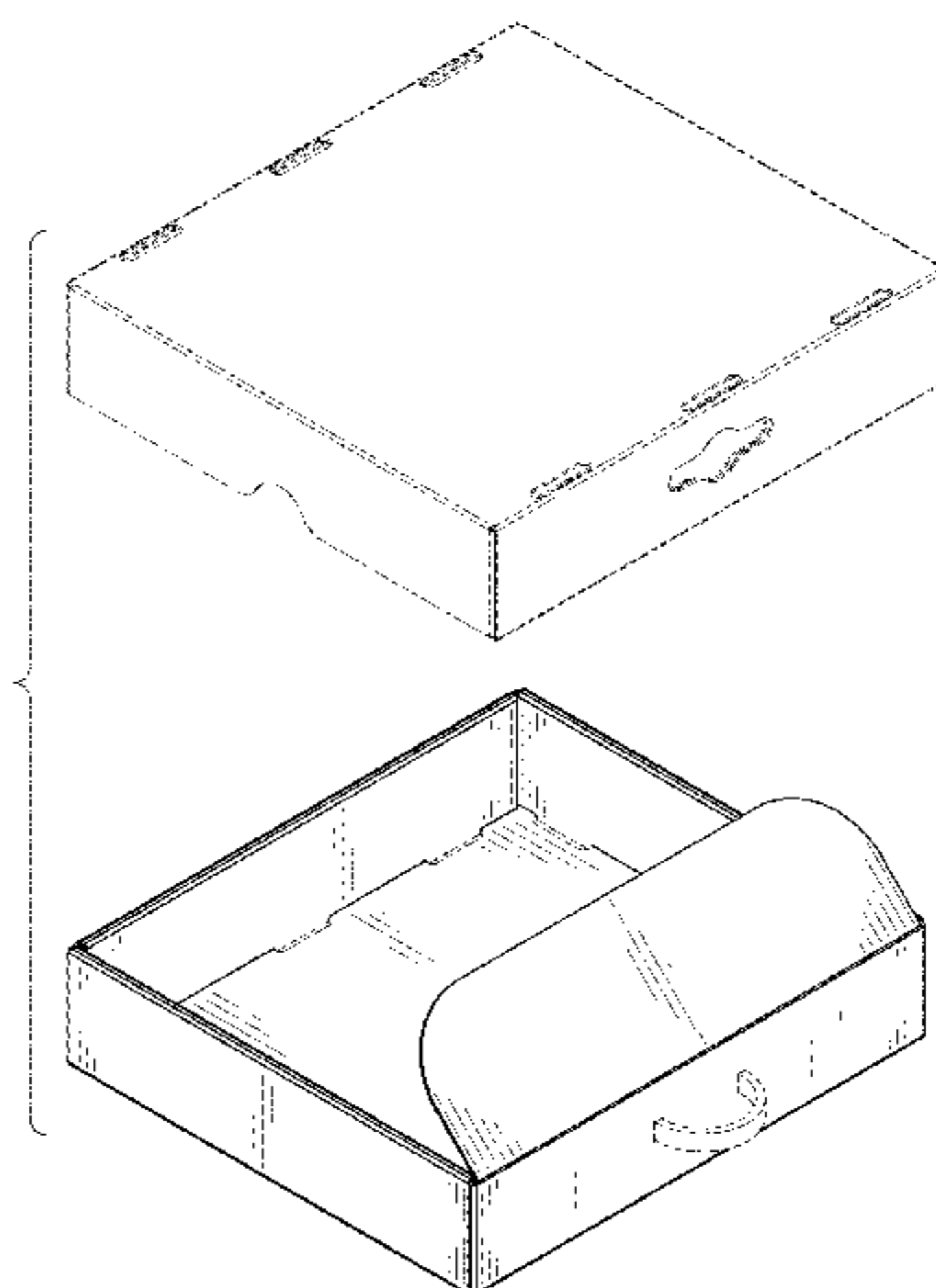


FIG. 16 is a perspective view of the lid component of the package of FIG. 1, FIG. 2, and FIG. 9;  
 FIG. 17 is a top plan view of the lid component of FIG. 16;  
 FIG. 18 is a bottom plan view of the lid component of FIG. 16;  
 FIG. 19 is a front elevation view of the lid component of FIG. 16;  
 FIG. 20 is a rear elevation view of the lid component of FIG. 16; and,  
 FIG. 21 is a left side elevation view of the lid component of FIG. 16, the right side elevation view identical thereto.  
 The broken lines depict unclaimed portions of the package and form no part of the claimed design. The long dash-short dash broken lines along the front flap of the package in FIGS. 9-11 and 13-15 depict break lines. The break lines and the areas between the break lines form no part of the claimed design.

**1 Claim, 18 Drawing Sheets**

(58) **Field of Classification Search**

CPC ..... B65D 5/00; B65D 5/0015; B65D 5/061;  
 B65D 5/18; B65D 5/20; B65D 5/32;  
 B65D 5/321; B65D 5/322

See application file for complete search history.

(56) **References Cited**

U.S. PATENT DOCUMENTS

2,727,675	A	12/1955	Mairs	
3,229,891	A *	1/1966	Edelman .....	B65D 5/10 229/157
3,250,455	A *	5/1966	Plunkett .....	B65D 5/2004 206/424
3,253,770	A *	5/1966	Black .....	B65D 5/0245 206/424
D237,144	S	10/1975	Graser	
4,380,314	A *	4/1983	Langston, Jr. ....	B65D 5/6626 229/122.32
5,007,580	A	4/1991	Morrison	
D348,607	S *	7/1994	Young .....	D9/423
D351,104	S	10/1994	Kapp	
D353,538	S	12/1994	Jobit	
D372,670	S	8/1996	Healey	
D415,419	S	10/1999	Abiteboul	
D417,150	S	11/1999	Shapiro	
D418,411	S	1/2000	Shapiro	
D434,981	S	12/2000	Shapiro	
D438,791	S	3/2001	Tsuruishi	
6,223,978	B1	5/2001	Drager	

6,253,993	B1	7/2001	Lloyd	
6,533,166	B1 *	3/2003	Kaiss .....	B42F 17/02 206/425
D490,703	S	6/2004	Rusnock	
D494,061	S *	8/2004	Brown .....	D9/415
7,021,468	B2	4/2006	Cargile, Jr.	
D612,260	S	3/2010	Champion	
7,703,665	B2	4/2010	Hallenbeck	
D639,157	S	6/2011	Ostergard	
D643,283	S	8/2011	Witte	
8,196,806	B2 *	6/2012	Tao .....	B65D 5/324 229/122.26
D679,582	S *	4/2013	Witte .....	D9/416
D690,592	S	10/2013	Ding	
D692,754	S	11/2013	Akana	
D693,678	S	11/2013	Kanchan	
D696,107	S	12/2013	Kimble	
8,608,050	B2 *	12/2013	Seliger .....	B65D 5/2009 229/117.16
D706,628	S	6/2014	Palmer	
D720,614	S *	1/2015	Kim .....	D9/432
D734,031	S	7/2015	Gallet	
9,073,664	B2	7/2015	Justice	
D756,560	S *	5/2016	Ghiotti .....	D27/186
D763,683	S *	8/2016	O'Neill .....	D9/432
9,463,897	B2	10/2016	Molina-Muntanola	
9,540,132	B1 *	1/2017	Lee .....	B65D 5/0245
D789,785	S	6/2017	Fujiwara	
D814,925	S *	4/2018	Davidson .....	D9/430
D820,080	S	6/2018	Kase	
D825,328	S *	8/2018	Simpson .....	D9/432
D828,156	S	9/2018	Perella	
D829,096	S	9/2018	Perella	
D829,097	S	9/2018	Perella	
D833,867	S	11/2018	Perella	
2006/0180645	A1	8/2006	Takagi	
2006/0243785	A1	11/2006	Wang	
2007/0119915	A1	5/2007	Liao	
2012/0037693	A1	2/2012	Wong	
2017/0144793	A1	5/2017	Robertson	

OTHER PUBLICATIONS

Bespoke Printed Strong Solid Two Flaps Open Cardboard Gift Boxes for Perfume Packaging. Online, published date Sep. 5, 2017. Retrieved on Dec. 9, 2018 from URL: <https://www.globalsources.com/si/AS/Guangzhou-Minglai/6008852404527/pdtl/Bespoke-Printed-Strong-Solid-Two-Flaps-Open/1151507668.htm>.  
 Luxury Gift Boxes. Online, published date Aug. 12, 2017. Retrieved on Dec. 9, 2018 from URL: <https://uniqstuffs.net/luxury-gift-boxes/>.  
 Valentines day Boxes with red heart magnet close. Online, published date unknown. Retrieved on Dec. 9, 2018 from URL: <http://www.giftboxdesignfactory.com/valentines-day-gift-box/valentines-day-boxes.html>.

\* cited by examiner

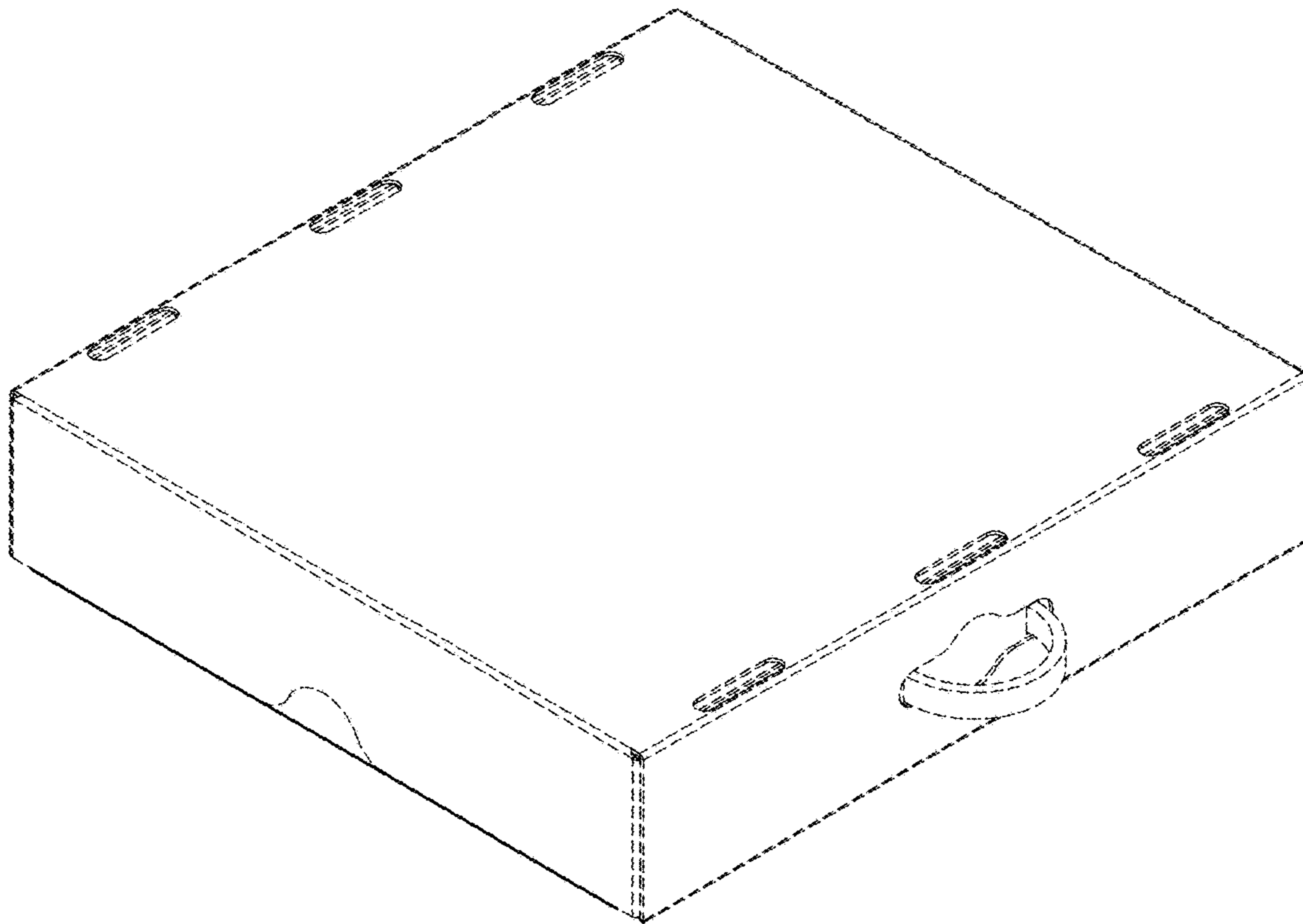


FIG. 1

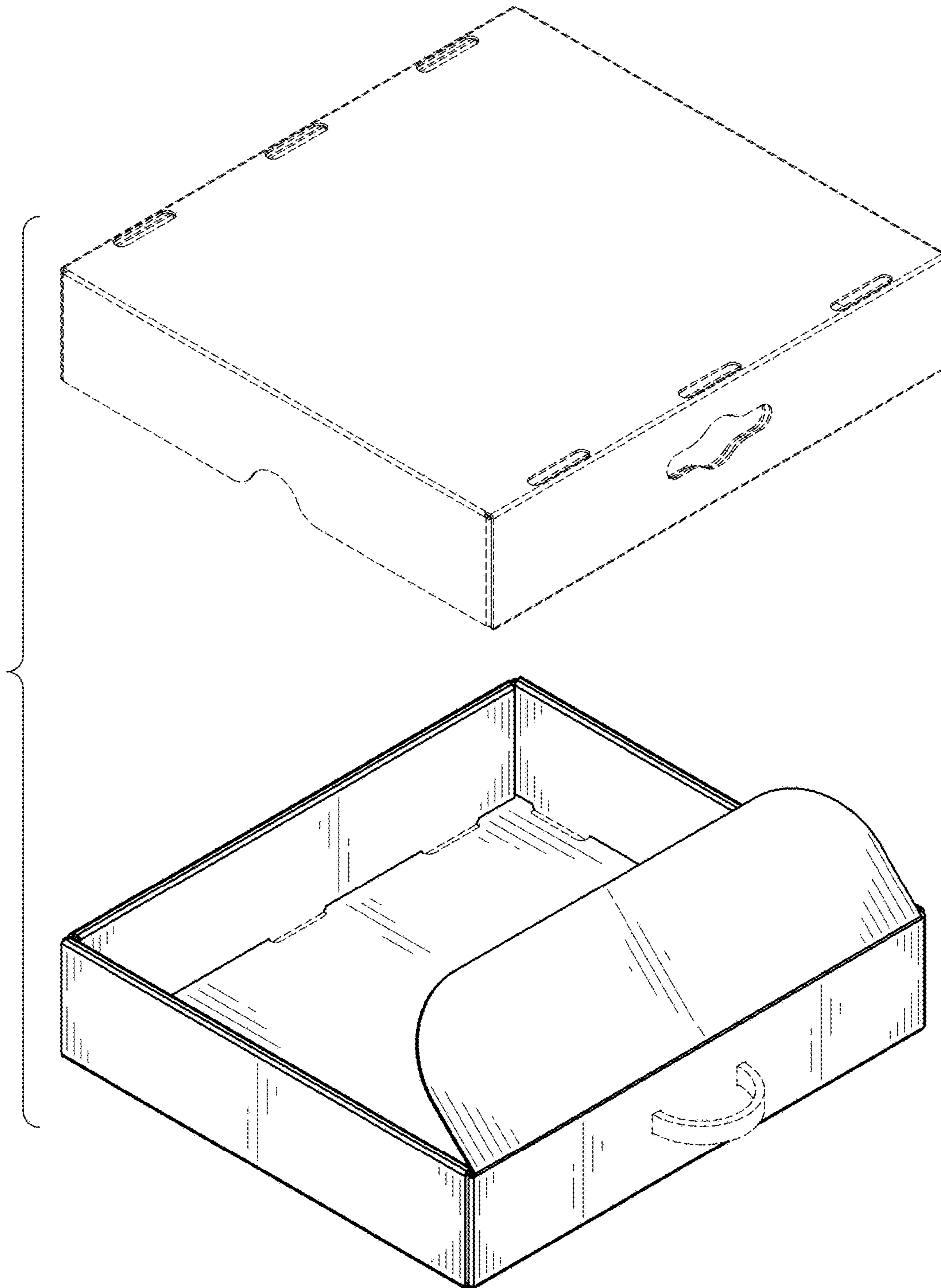


FIG. 2

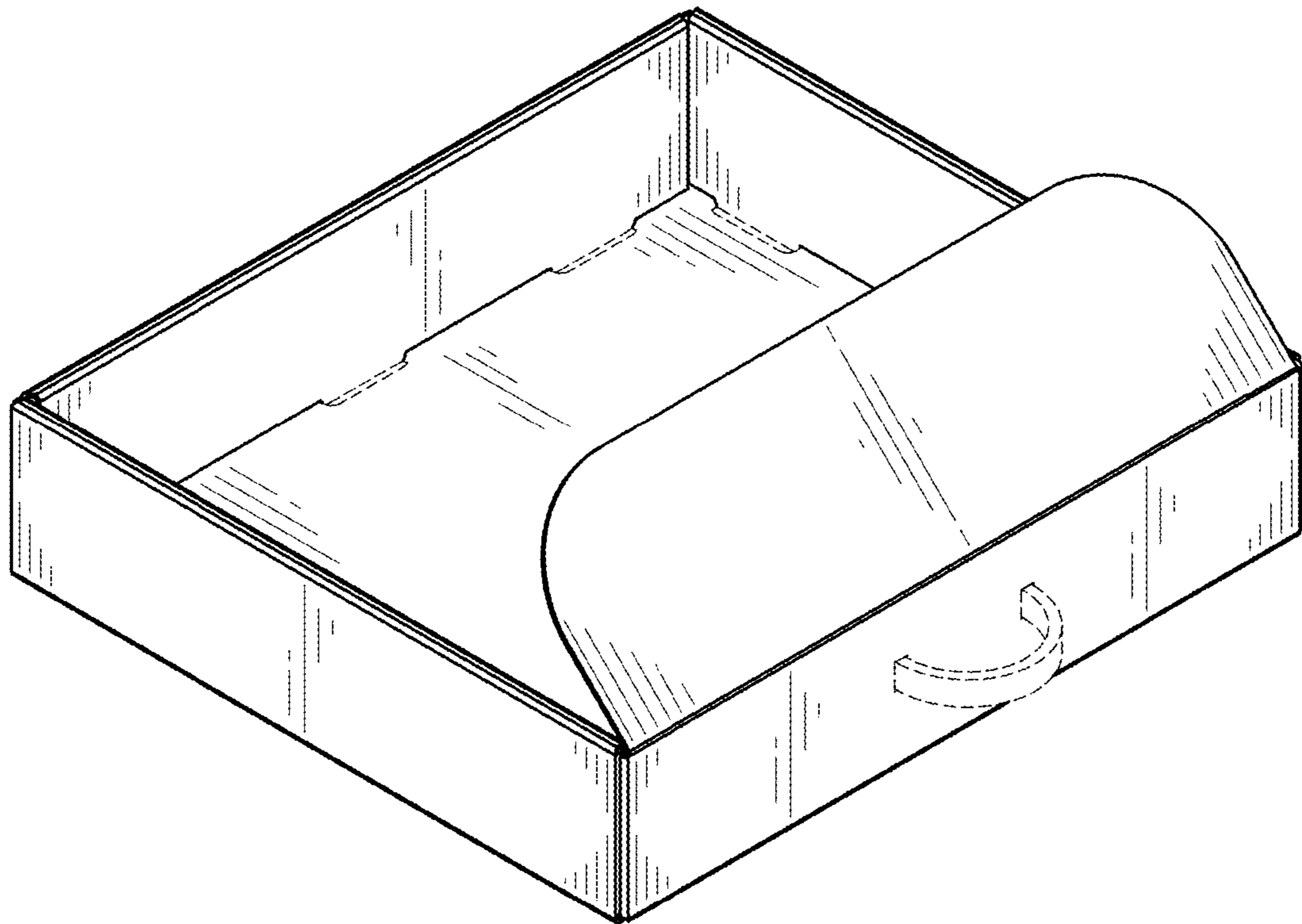


FIG. 3

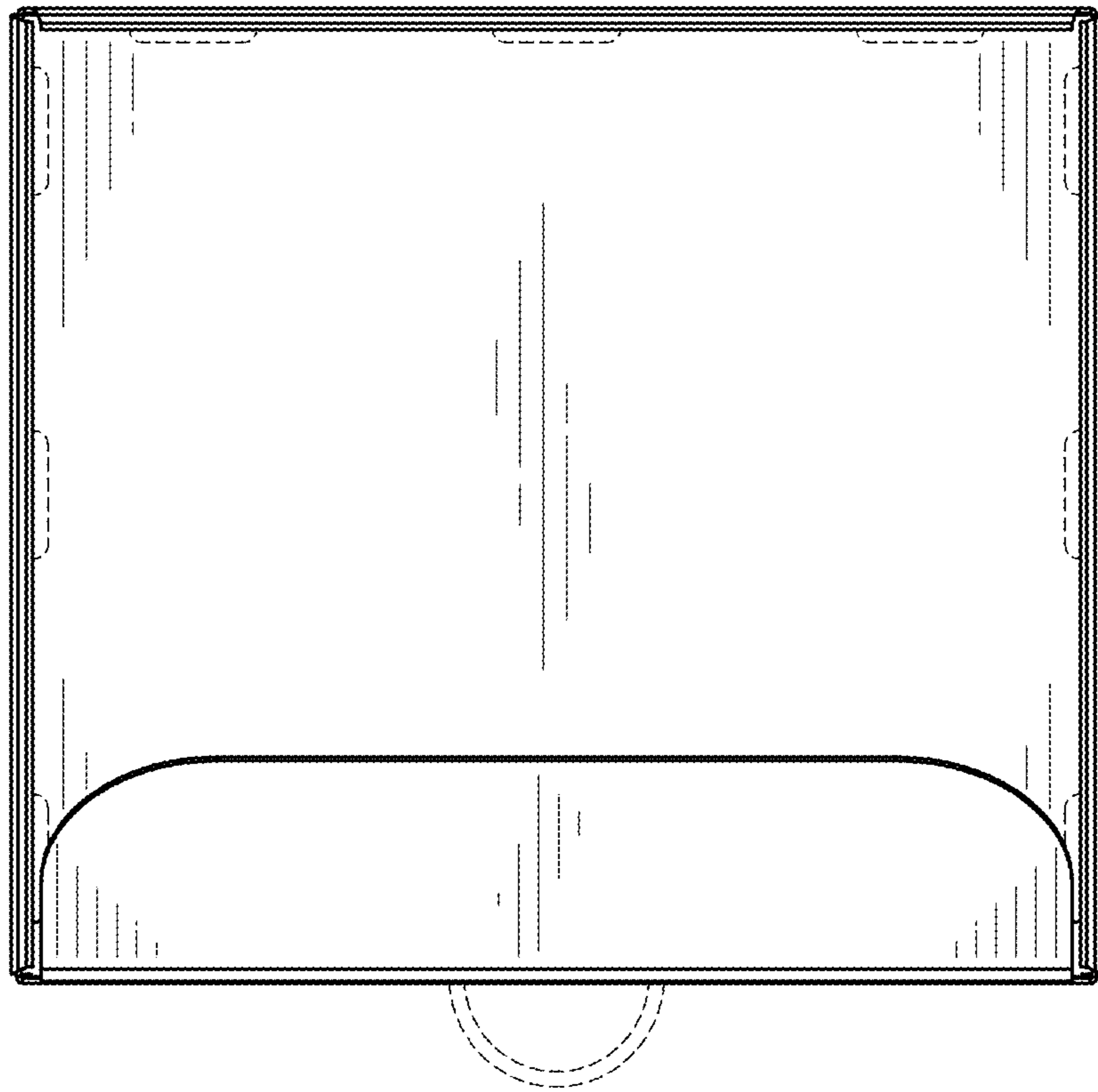


FIG. 4

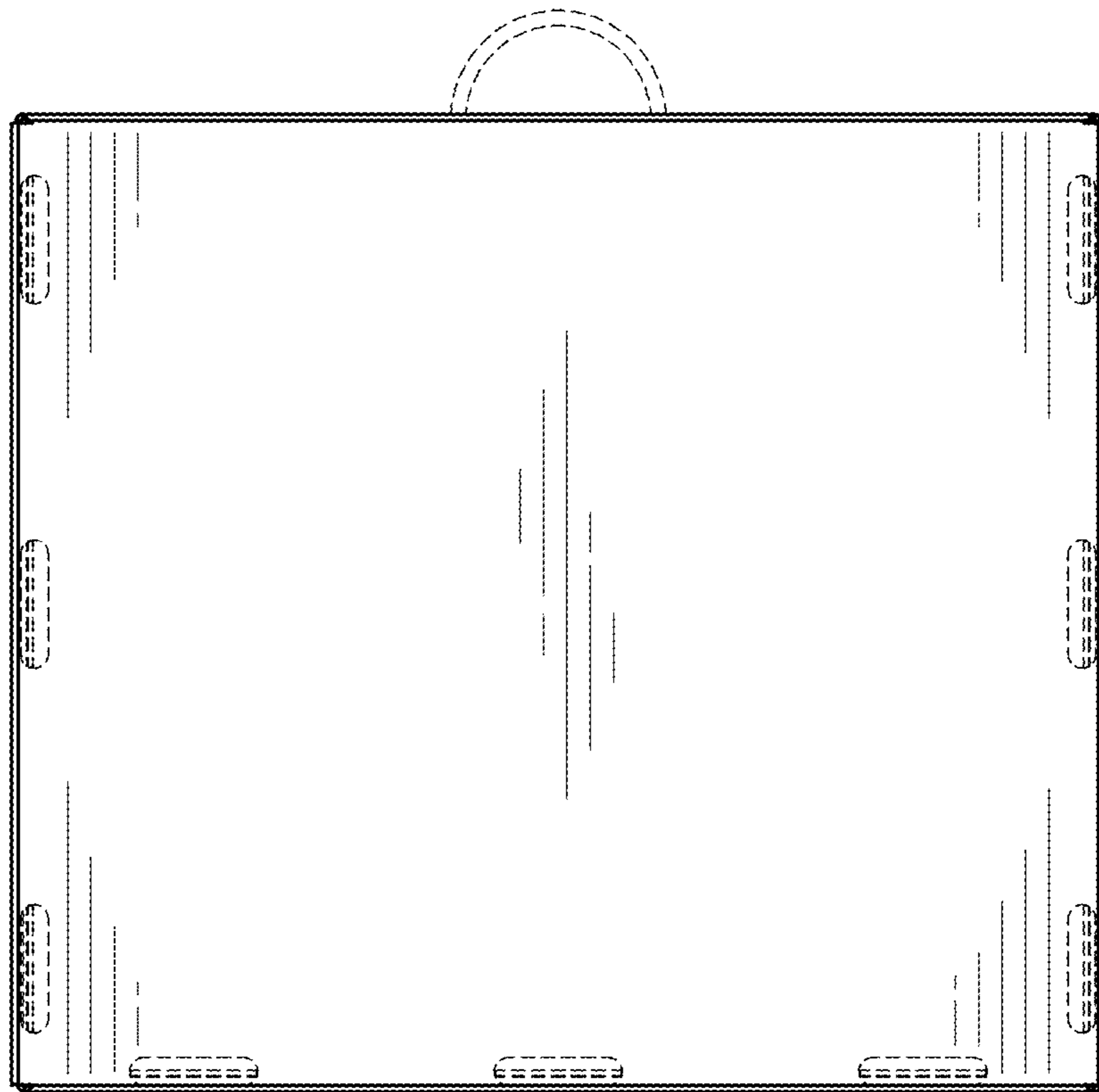


FIG. 5

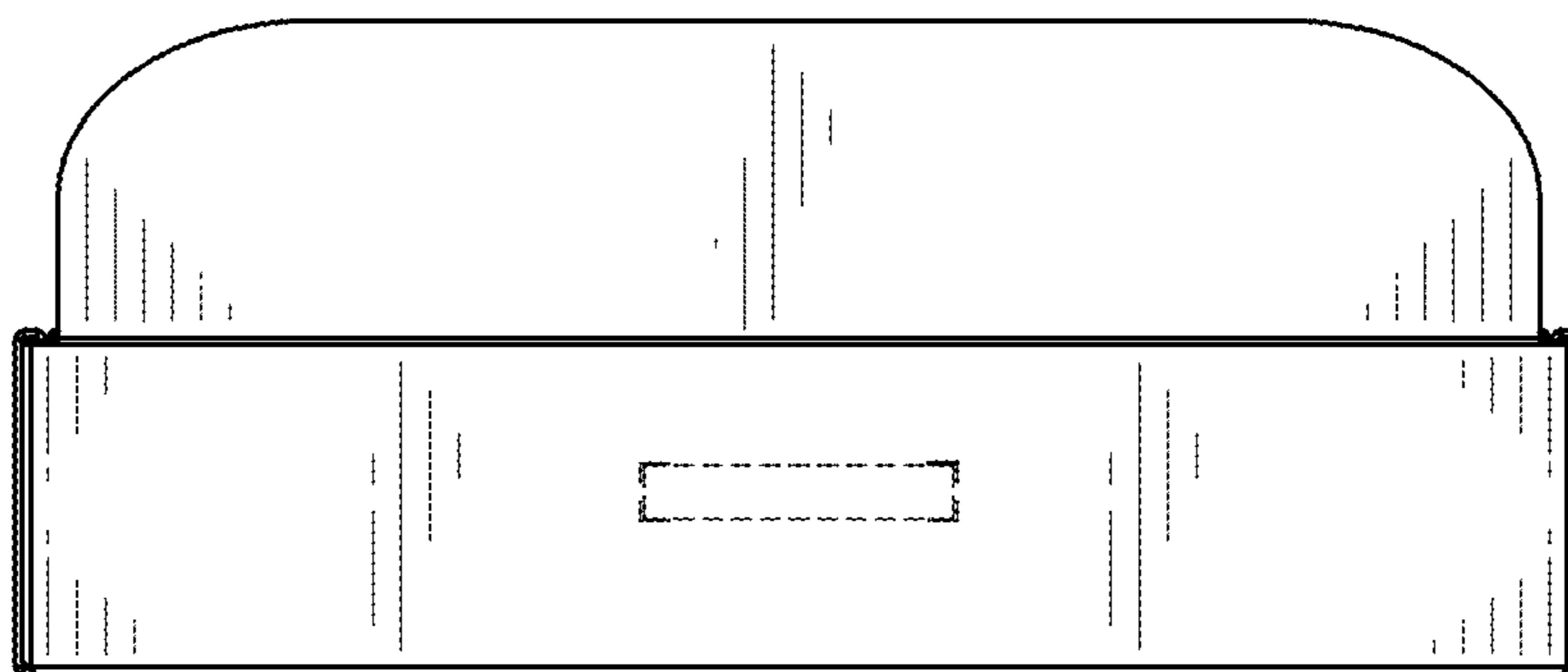


FIG. 6

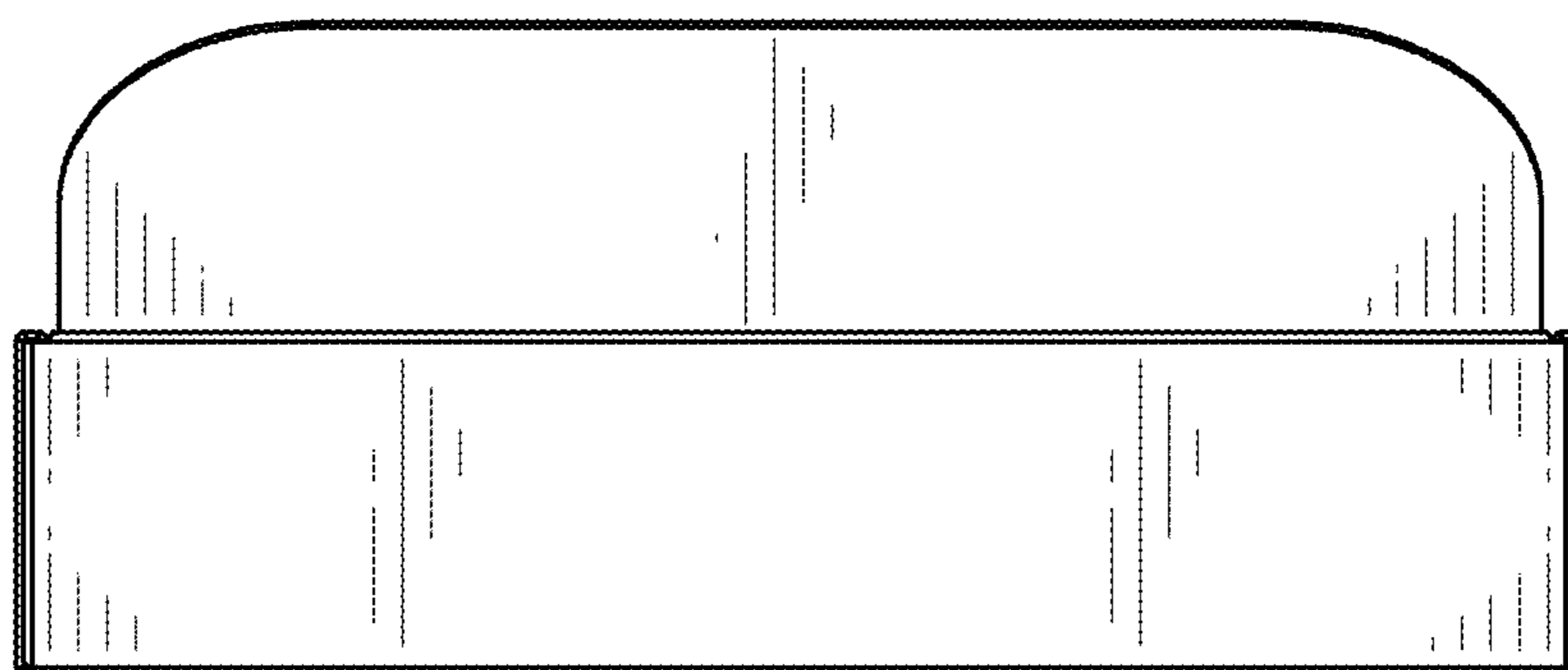


FIG. 7



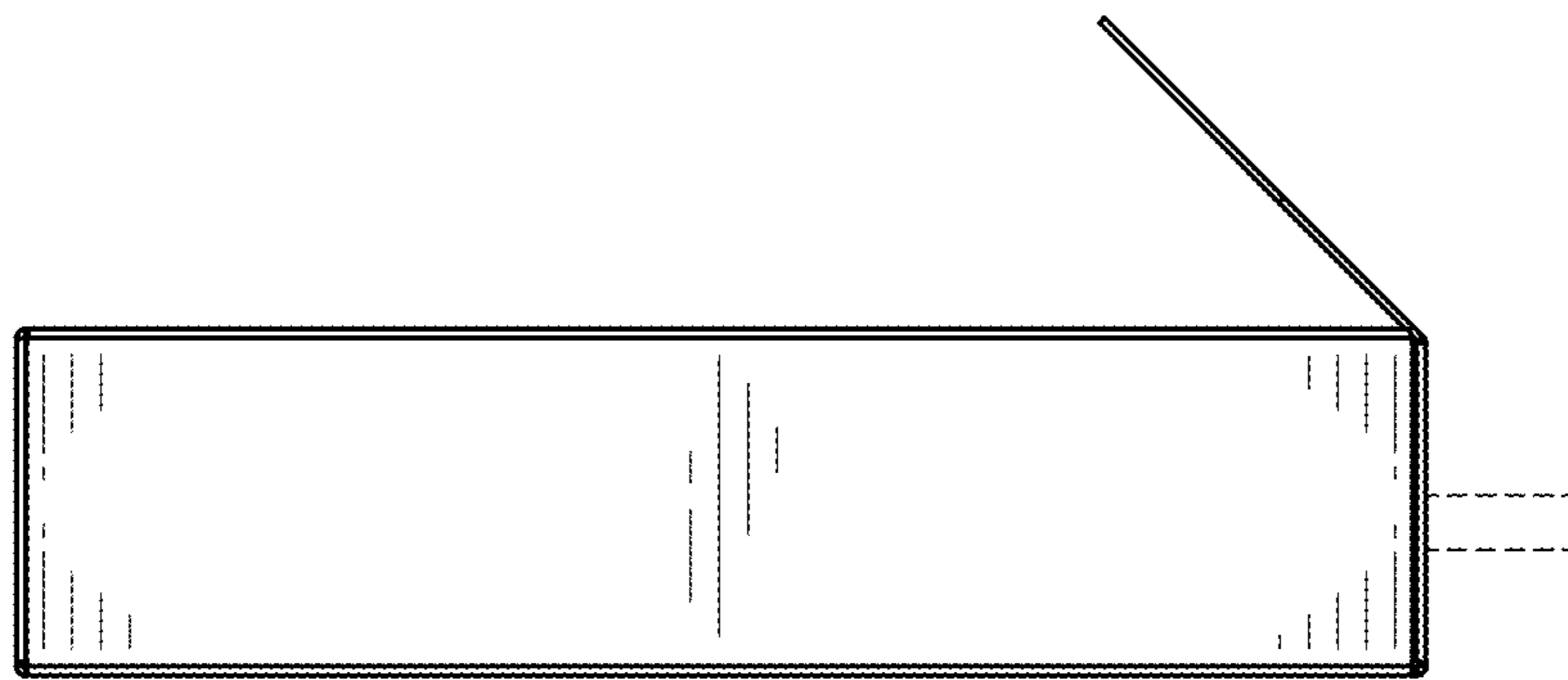


FIG. 8

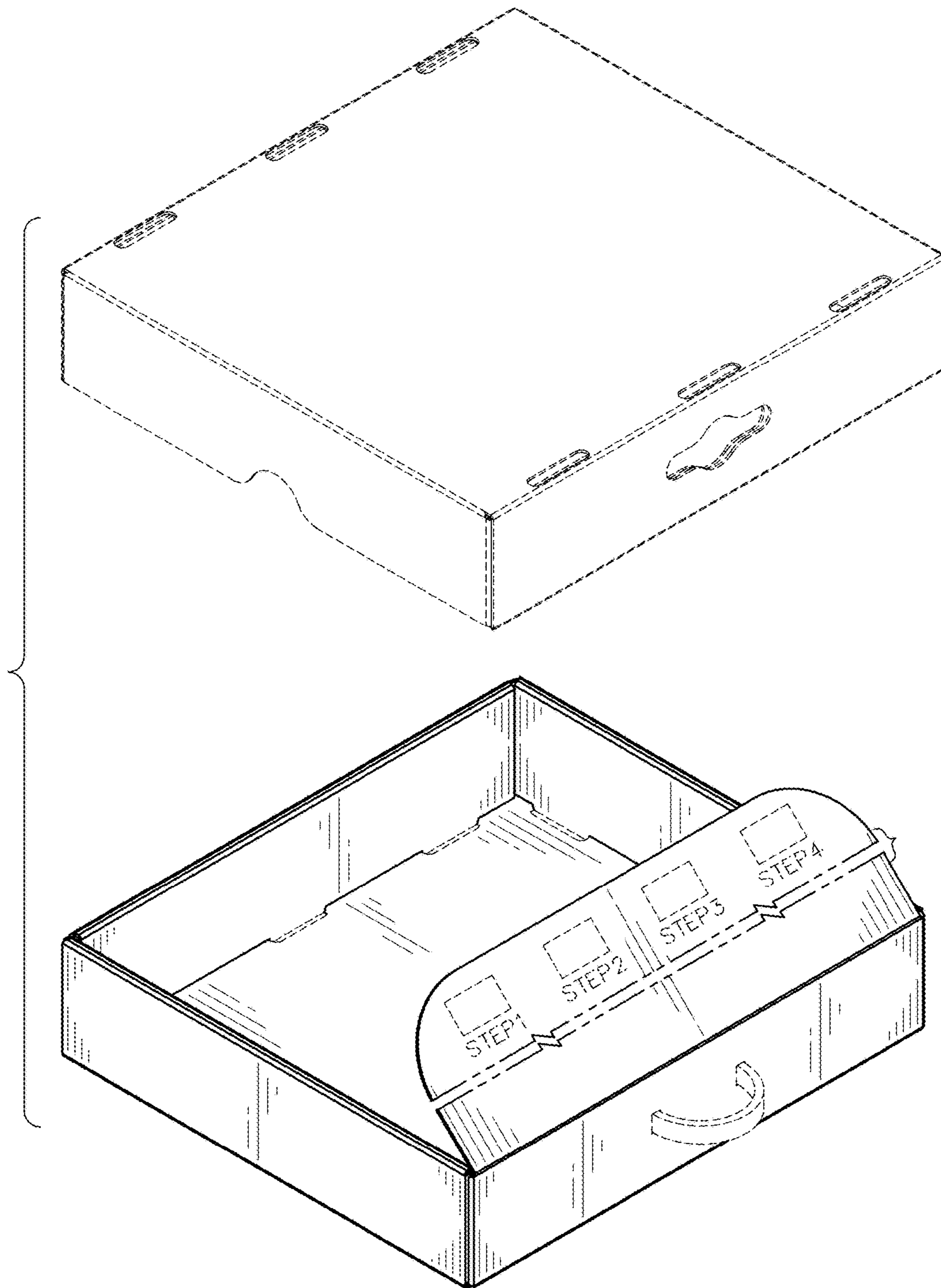


FIG. 9

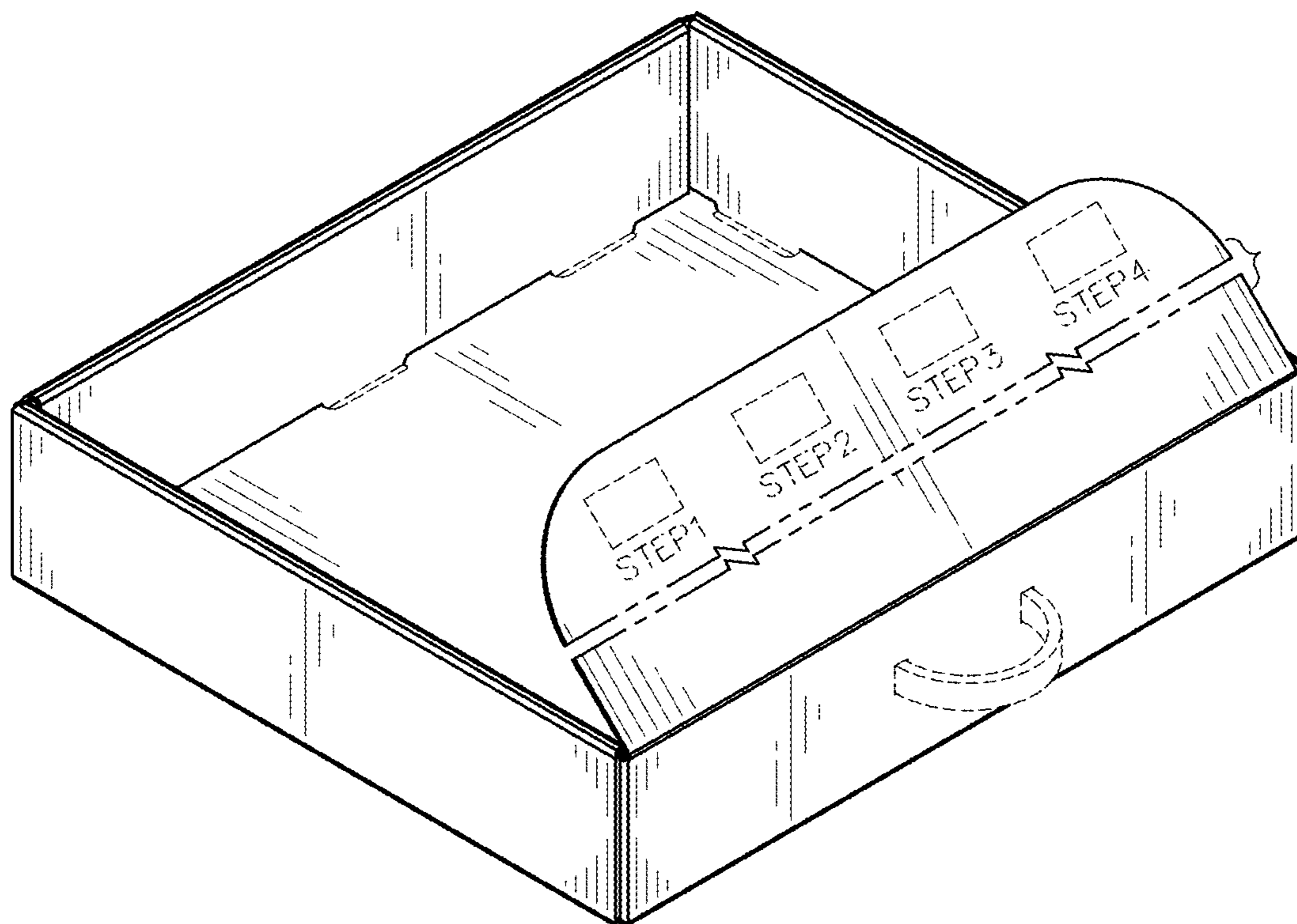


FIG. 10

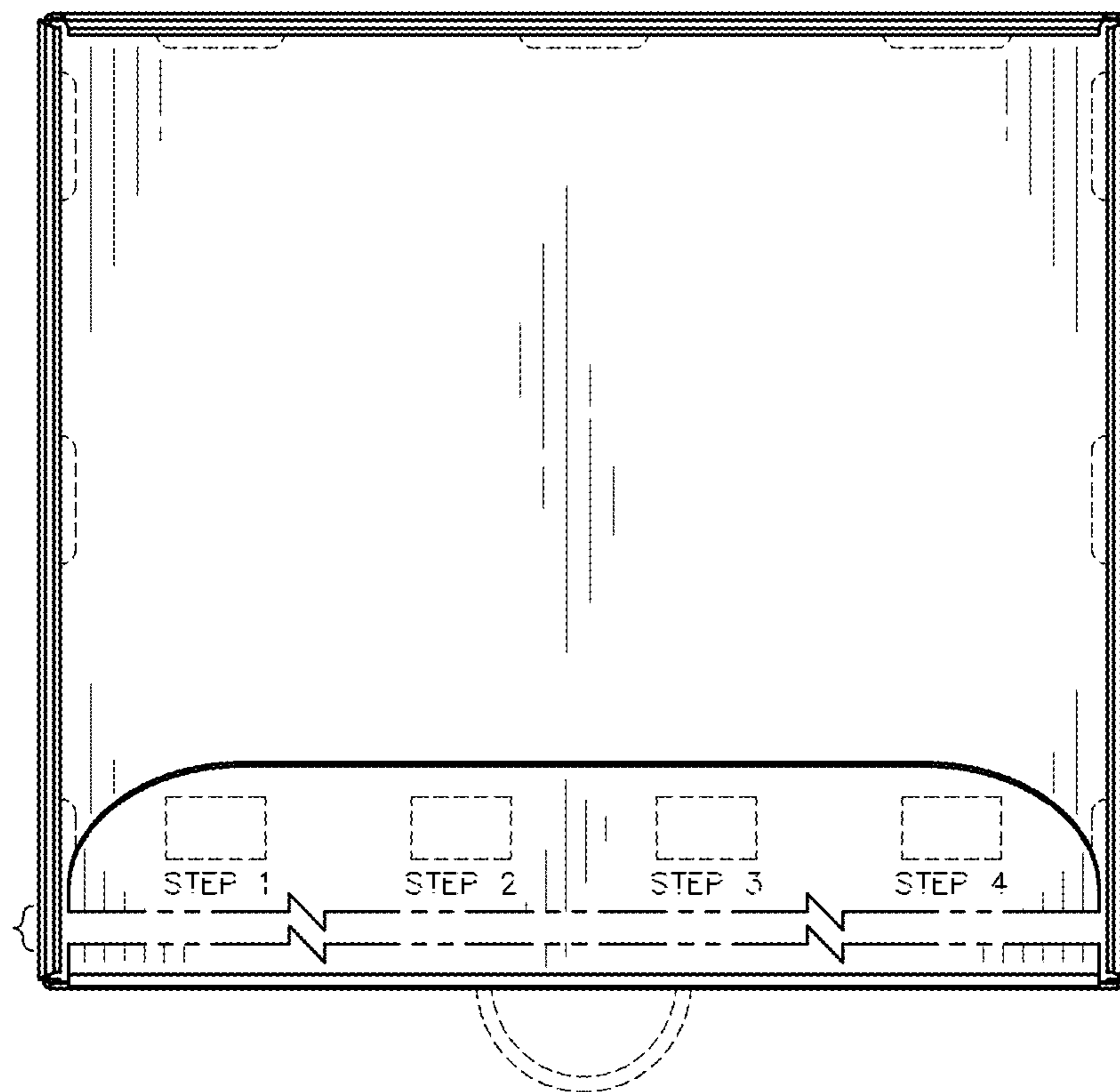


FIG. 11

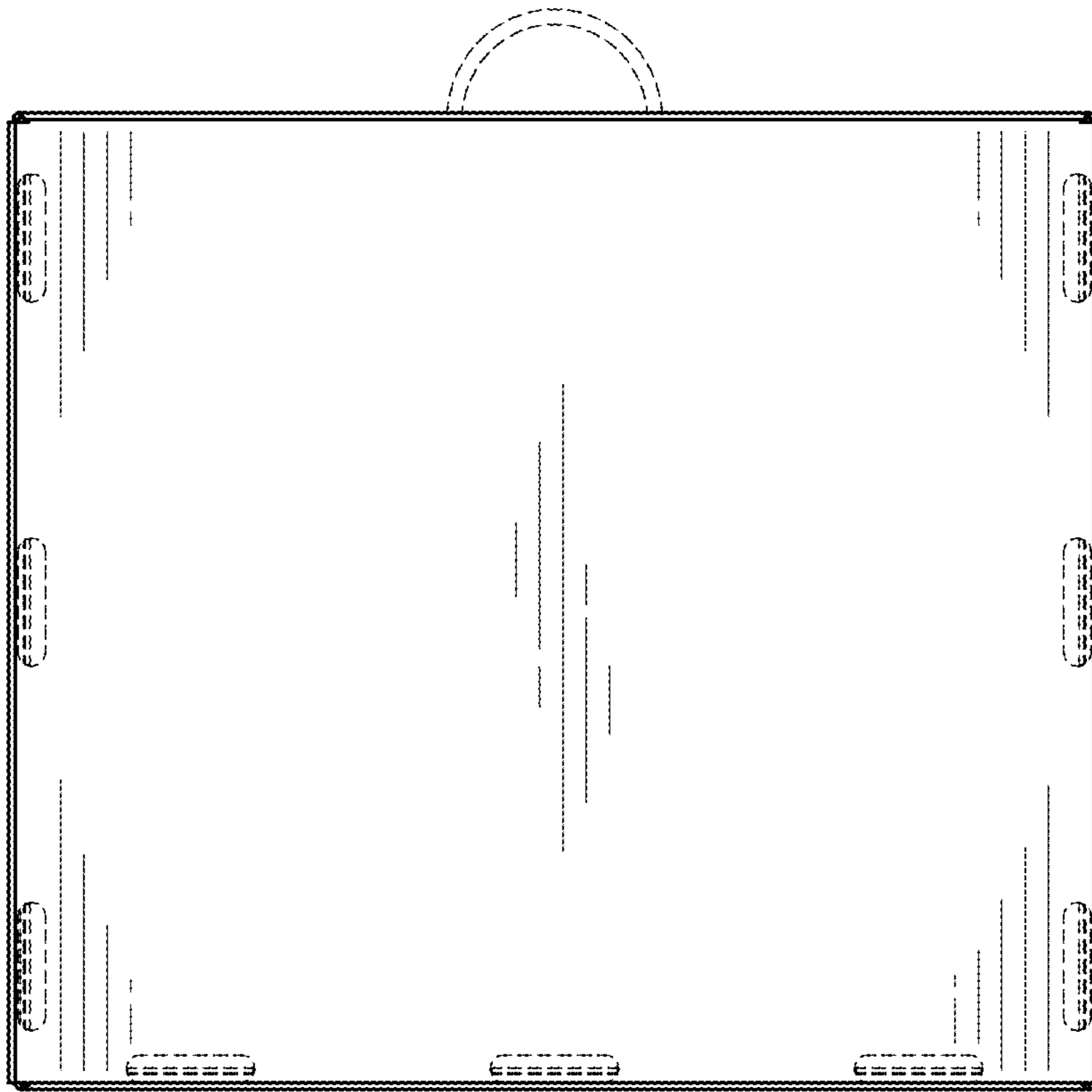


FIG. 12

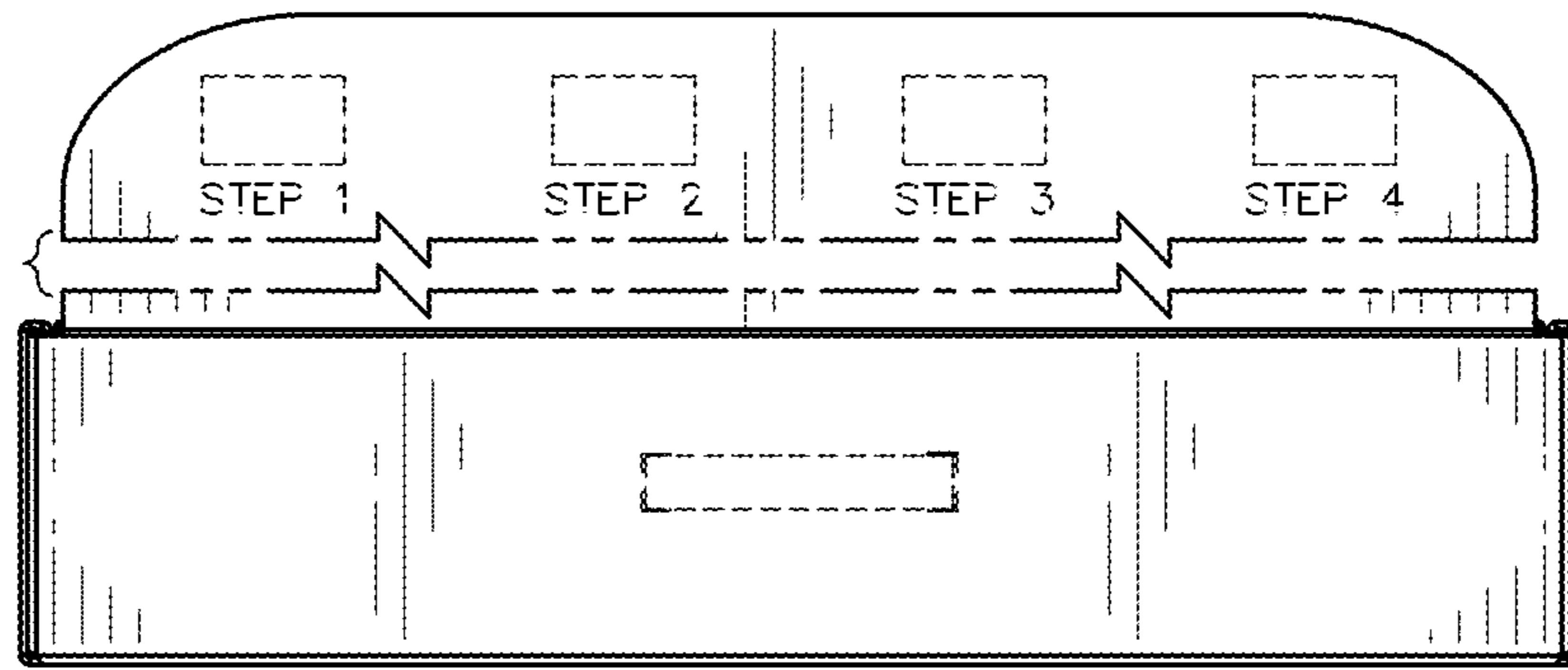


FIG. 13

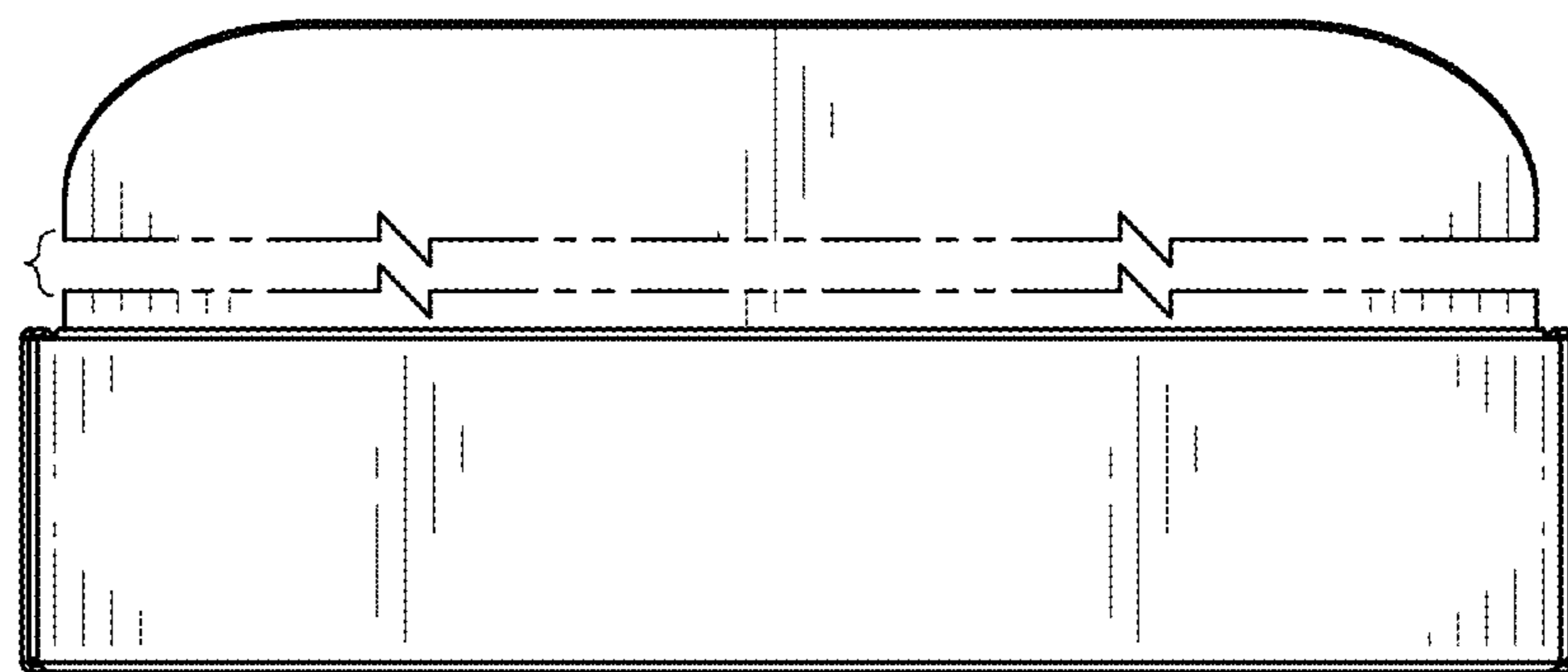


FIG. 14

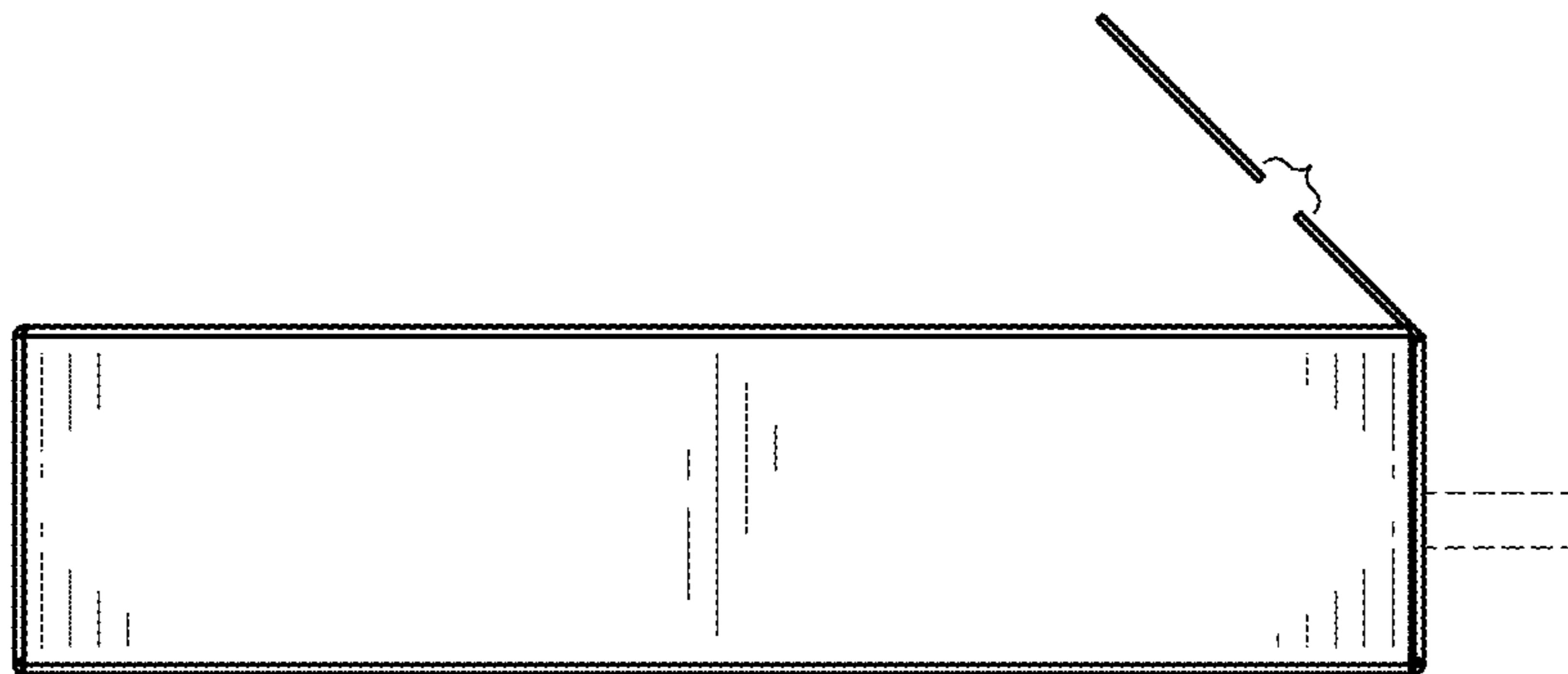


FIG. 15

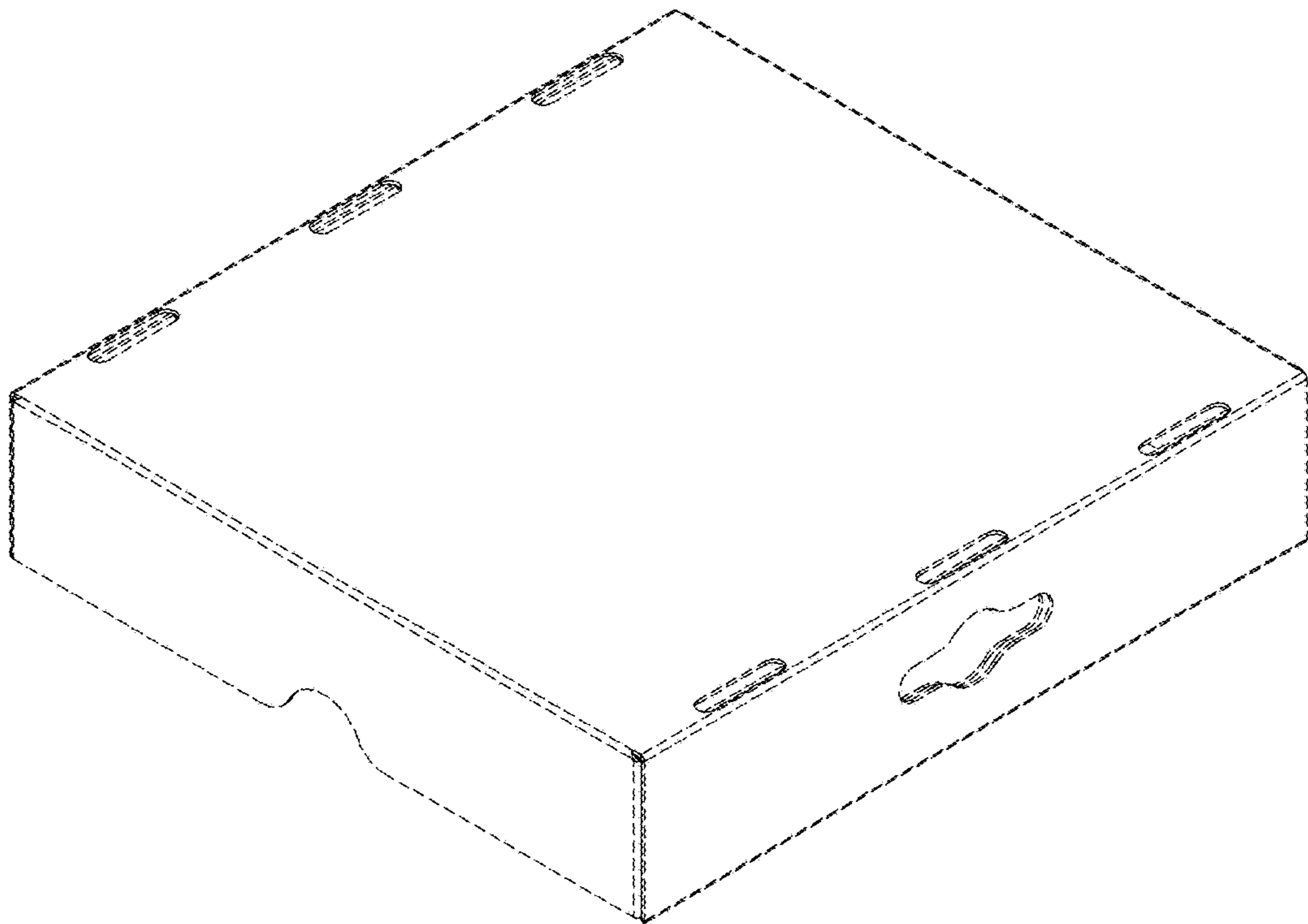


FIG. 16





FIG. 17

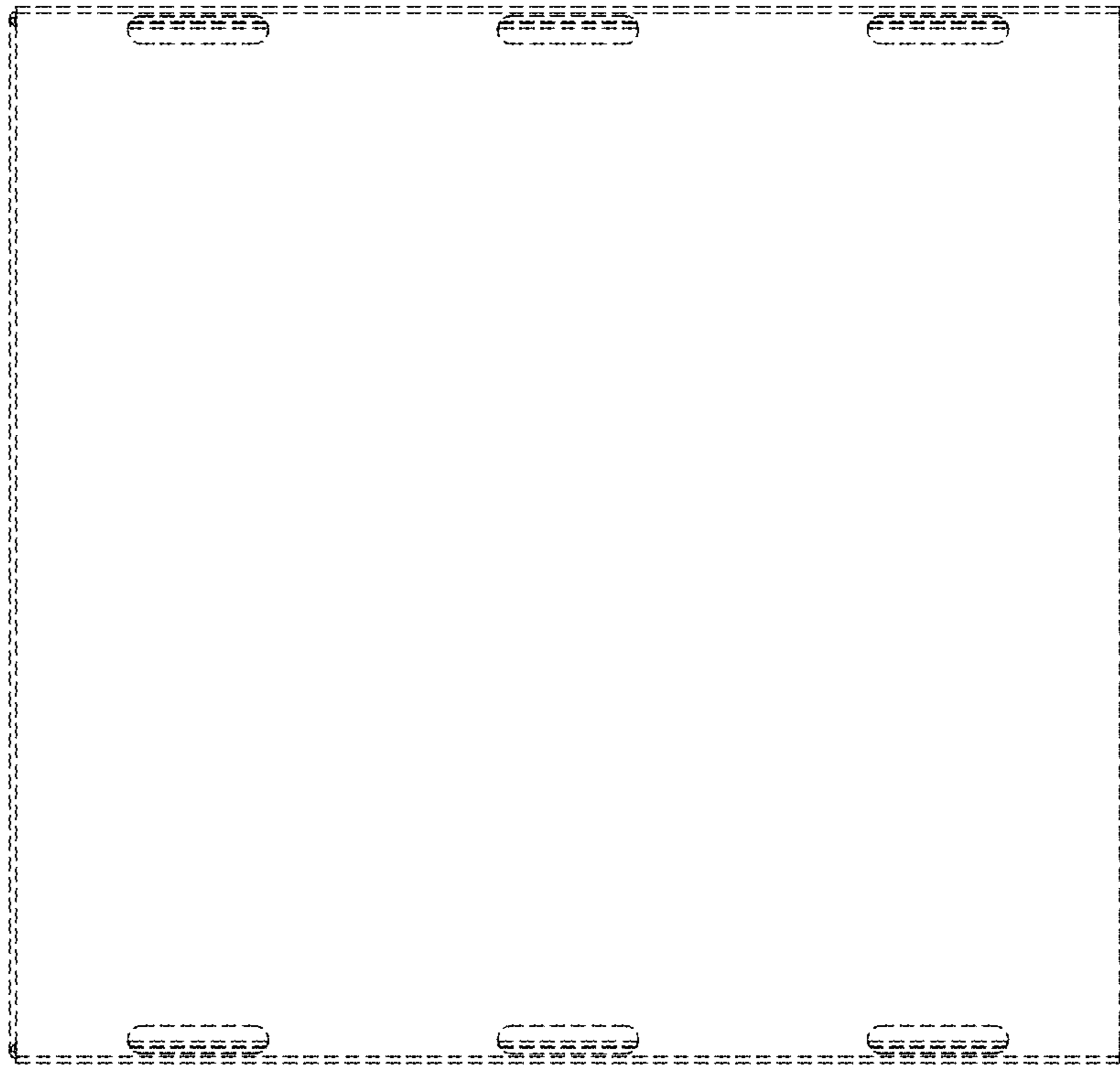


FIG. 18

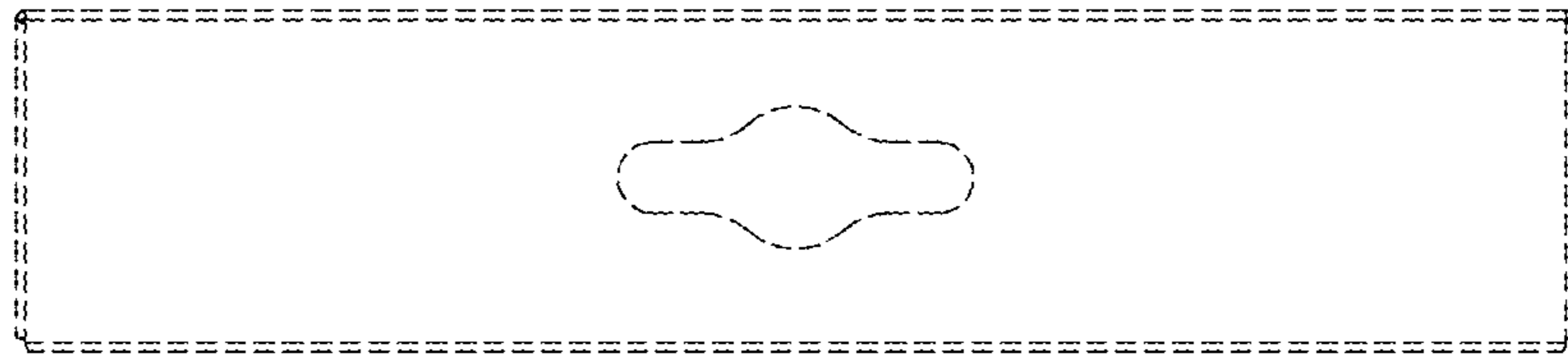


FIG. 19



FIG. 20

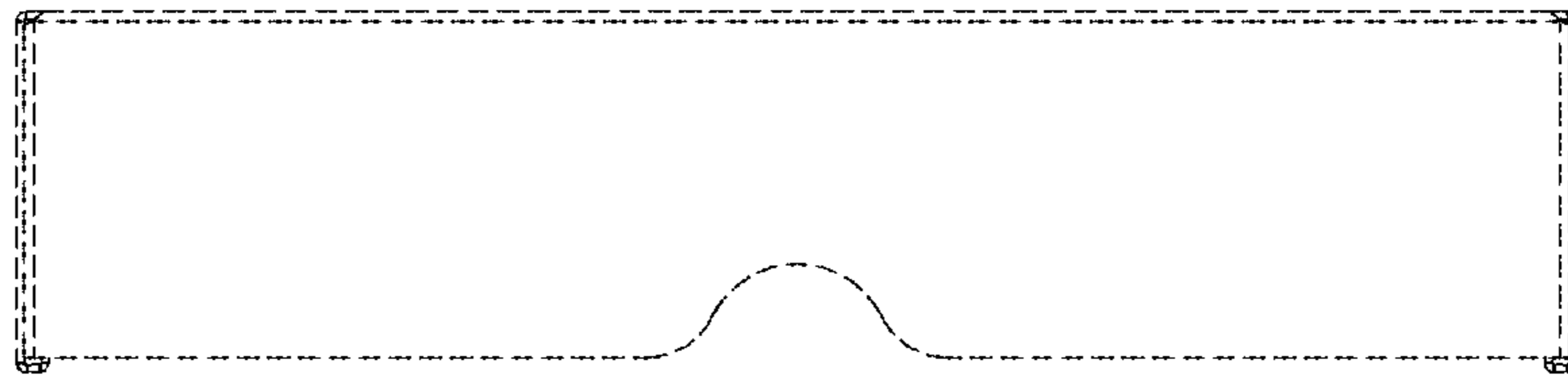


FIG. 21