



US00D858274S

(12) **United States Design Patent**
Perella et al.

(10) **Patent No.:** **US D858,274 S**

(45) **Date of Patent:** **** *Sep. 3, 2019**

(54) **FOLDABLE STORAGE BOX**

- (71) Applicant: **IdeaStream Consumer Products, LLC**, Cleveland, OH (US)
- (72) Inventors: **Daniel V. Perella**, Cleveland, OH (US); **Benjamin Hietanen**, Cleveland, OH (US); **Zhenghong Li**, Shenzhen (CN); **Jensen Tuen**, Fanling (HK); **Jinyuan Li**, Shenzhen (CN)
- (73) Assignee: **IdeaStream Consumer Products, LLC**, Cleveland, OH (US)

(*) Notice: This patent is subject to a terminal disclaimer.

(**) Term: **15 Years**

(21) Appl. No.: **29/612,002**

(22) Filed: **Jul. 27, 2017**

(51) **LOC (12) Cl.** **09-03**

(52) **U.S. Cl.**
USPC **D9/432; D9/433**

(58) **Field of Classification Search**
USPC D9/414-420, 421-432, 442, 433, 434, D9/721-722; D7/601, 602, 612, 709; D3/273, 304, 309-313, 290, 305, 315; D20/10, 22, 27, 40, 42
CPC B65D 5/00; B65D 5/001; B65D 5/0015; B65D 5/0227-0254; B65D 5/18; B65D 5/38; B65D 5/40; B65D 5/2033; B65D
(Continued)

(56) **References Cited**

U.S. PATENT DOCUMENTS

- 3,404,829 A * 10/1968 Stone B65D 5/6661
229/120.05
- 4,620,666 A * 11/1986 Lacasa B65D 5/2033
229/110

(Continued)

OTHER PUBLICATIONS

Custom Printed Rigid Foldable Gift Box Cardboard Paper Collapsible Box. Online, published date unknown. Retrieved on Oct. 11, 2018 from URL: <http://www.giftpaperbox.com/sale-5807121-custom-printed-rigid-foldable-gift-box-cardboard-paper-collapsible-box.html>.*

Primary Examiner — Susan Bennett Hattan

Assistant Examiner — Omeed Agilee

(74) *Attorney, Agent, or Firm* — Fay Sharpe LLP

(57) **CLAIM**

The ornamental design for a foldable storage box, as shown and described.

DESCRIPTION

FIG. 1 is a perspective view of a foldable storage box in an unfolded or flattened configuration of the present application;

FIG. 2 is a perspective view of the foldable storage box of FIG. 1 in a partially unfolded configuration;

FIG. 3 is a perspective view of the foldable storage box of FIG. 1 in an unfolded but flattened configuration;

FIG. 4 is a perspective view of the foldable storage box of FIG. 1 in a partially folded configuration;

FIG. 5 is a perspective view of the foldable storage box of FIG. 1 in a folded but open configuration;

FIG. 6 is a perspective view of the foldable storage box of FIG. 1 in a folded and closed configuration;

FIG. 7 is a front elevation view of the foldable storage box of FIG. 6;

FIG. 8 is a top plan view of the foldable storage box of FIG. 6;

FIG. 9 is a bottom plan view of the foldable storage box of FIG. 6;

FIG. 10 is a back elevation view of the foldable storage box of FIG. 6;

FIG. 11 is a right side elevation view of the foldable storage box of FIG. 6; and,

(Continued)

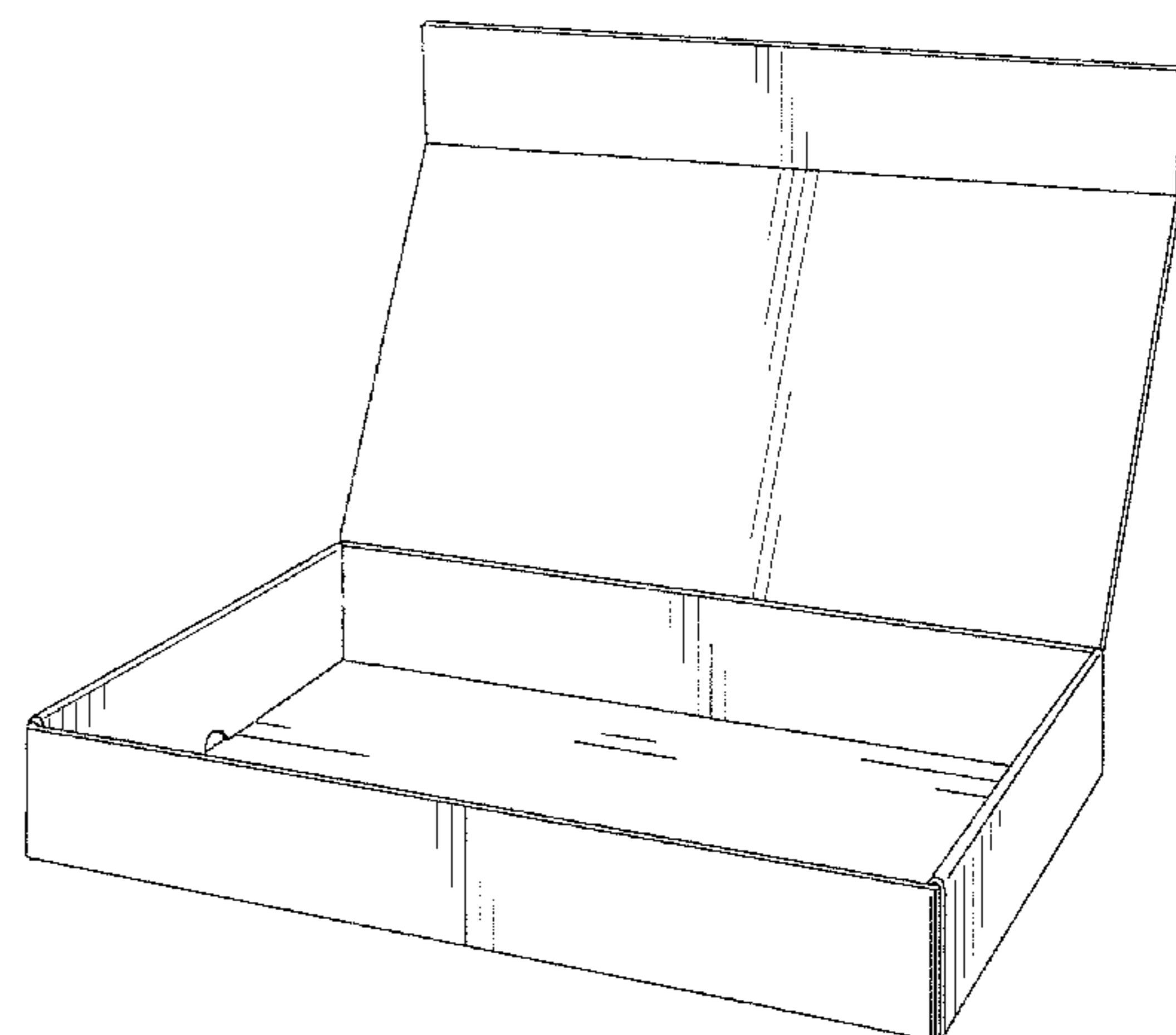
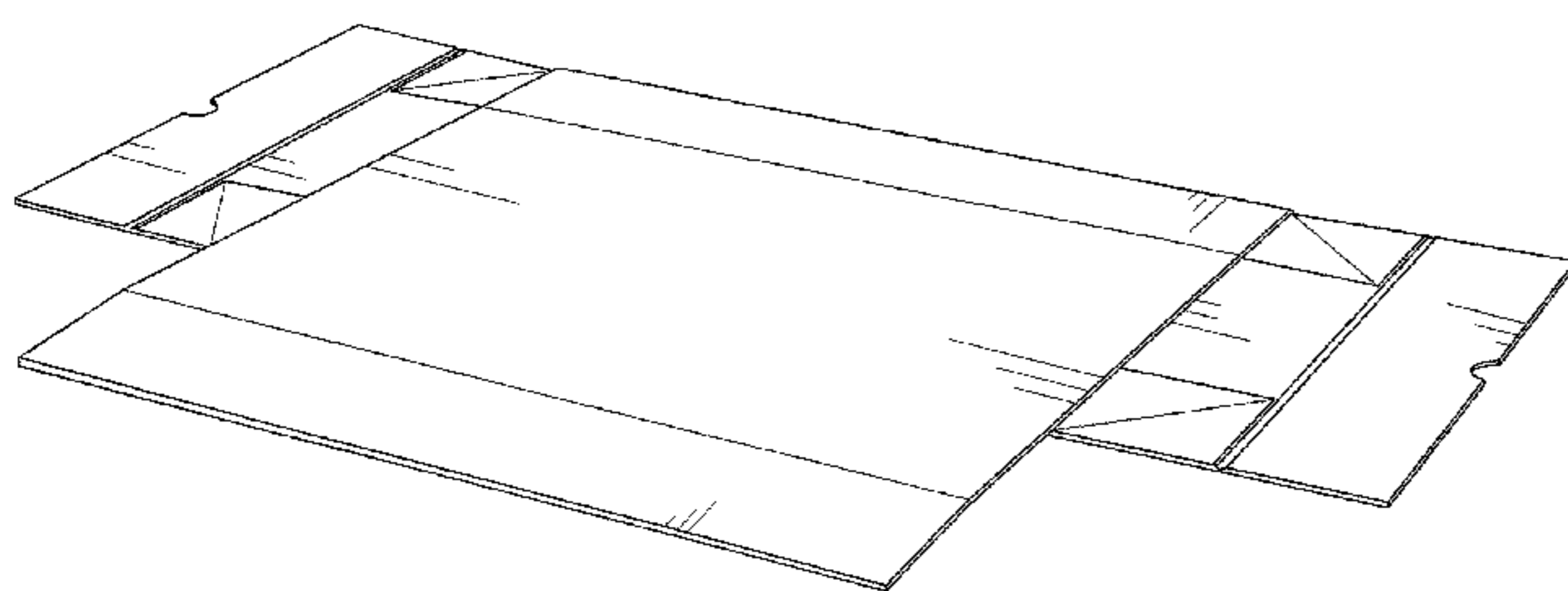


FIG. 12 is a left side elevation view of the foldable storage box of FIG. 6.

1 Claim, 7 Drawing Sheets

(58) Field of Classification Search

CPC ... 1/22; B65D 1/24; B65D 1/34; B65D 71/16;
B65D 5/20; B65D 5/30; B65D 5/321;
B65D 5/322; B65B 5/06

See application file for complete search history.

(56) References Cited

U.S. PATENT DOCUMENTS

D433,630	S *	11/2000	Lubineau-Bigot	D9/416
D438,101	S *	2/2001	Koster	D9/432
D622,590	S *	8/2010	Tayama	D9/432
D687,295	S *	8/2013	Park	D9/420
D755,641	S *	5/2016	O'Neill	B65D 5/5088
					D9/721
D812,463	S *	3/2018	Lee	D9/420
D815,343	S *	4/2018	Kesselman	D27/187
D820,078	S *	6/2018	Uematsu	D9/416
D828,156	S *	9/2018	Perella	D9/432
D829,096	S *	9/2018	Perella	D9/433
D829,097	S *	9/2018	Perella	D9/433
D829,569	S *	10/2018	O'Neill	D9/759
2006/0016818	A1 *	1/2006	Chiang	B65D 1/24
					220/521
2016/0152375	A1 *	6/2016	Chen	B65D 5/665
					229/150
2018/0127140	A1 *	5/2018	Perella	B65D 5/3642
2018/0244424	A1 *	8/2018	Perella	B65D 5/3664

* cited by examiner

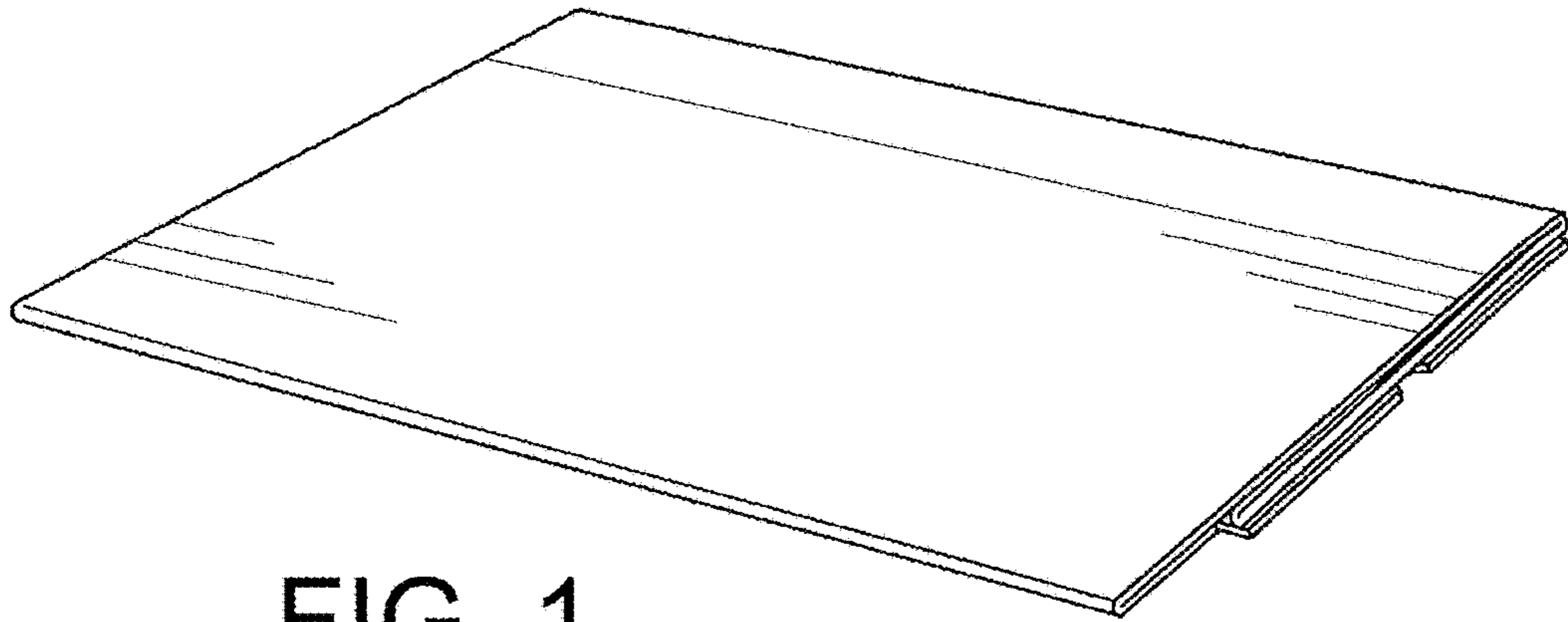


FIG. 1

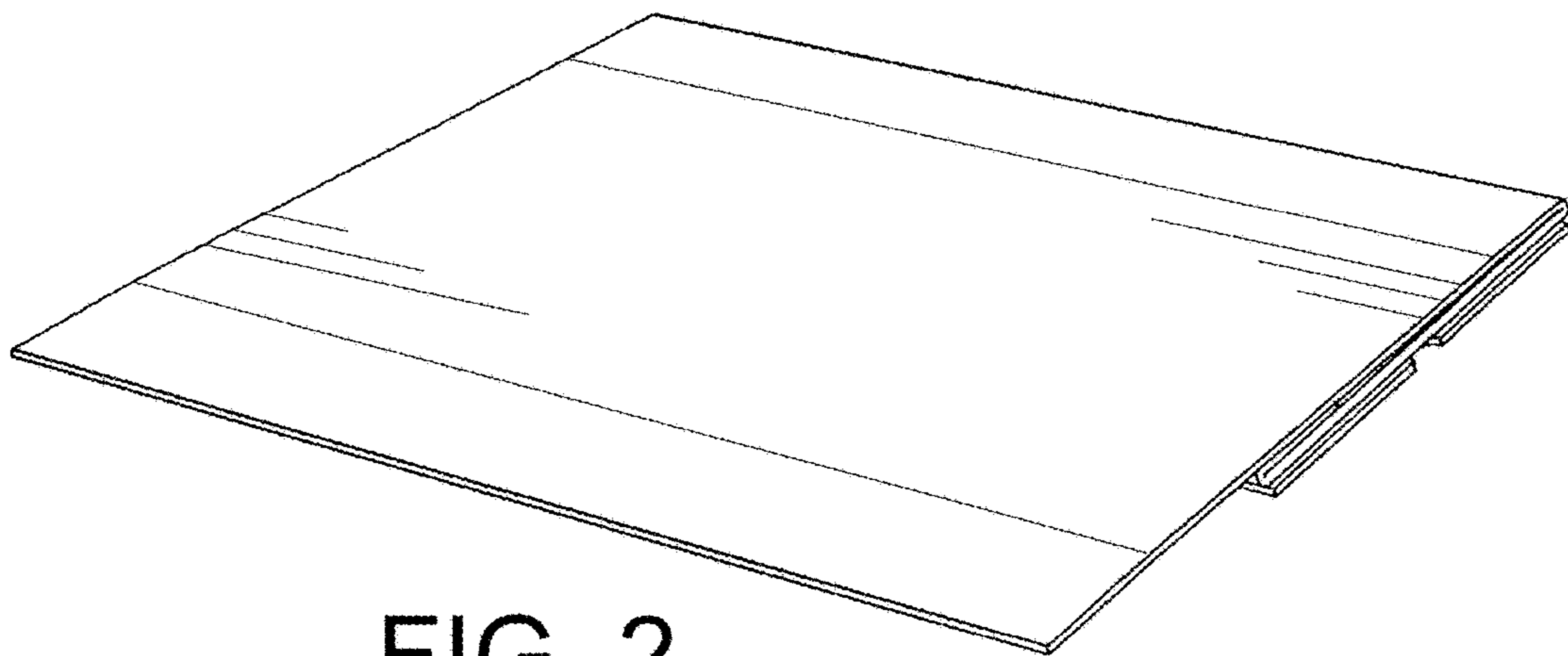


FIG. 2

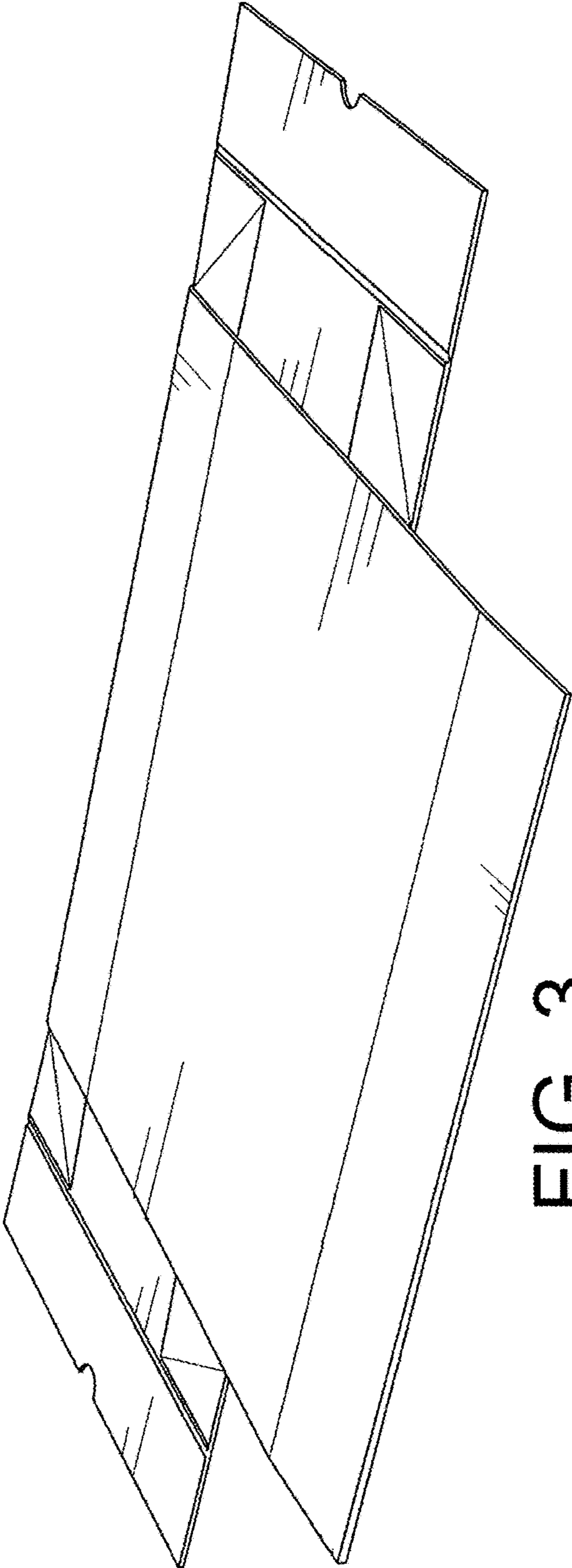


FIG. 3

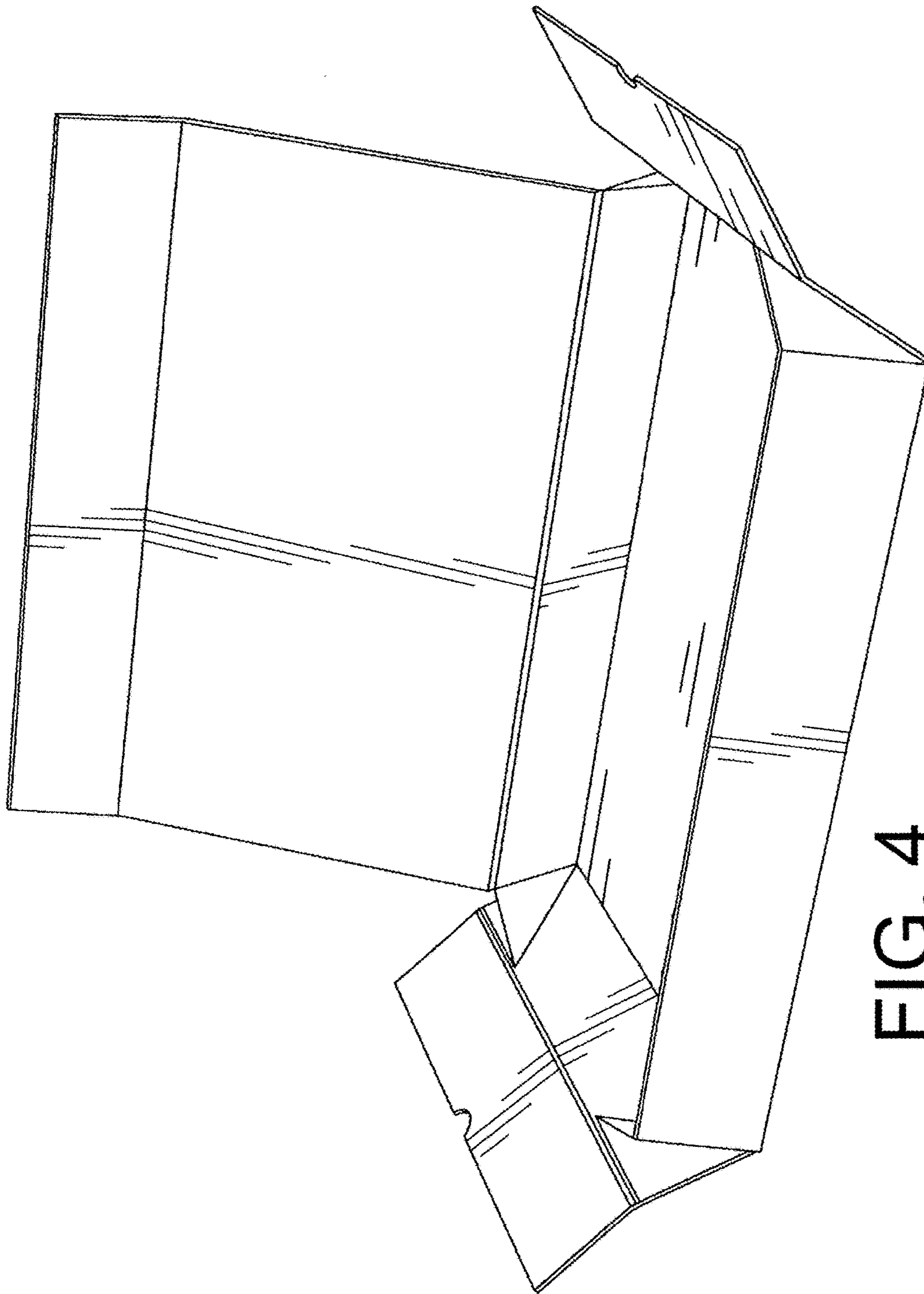


FIG. 4

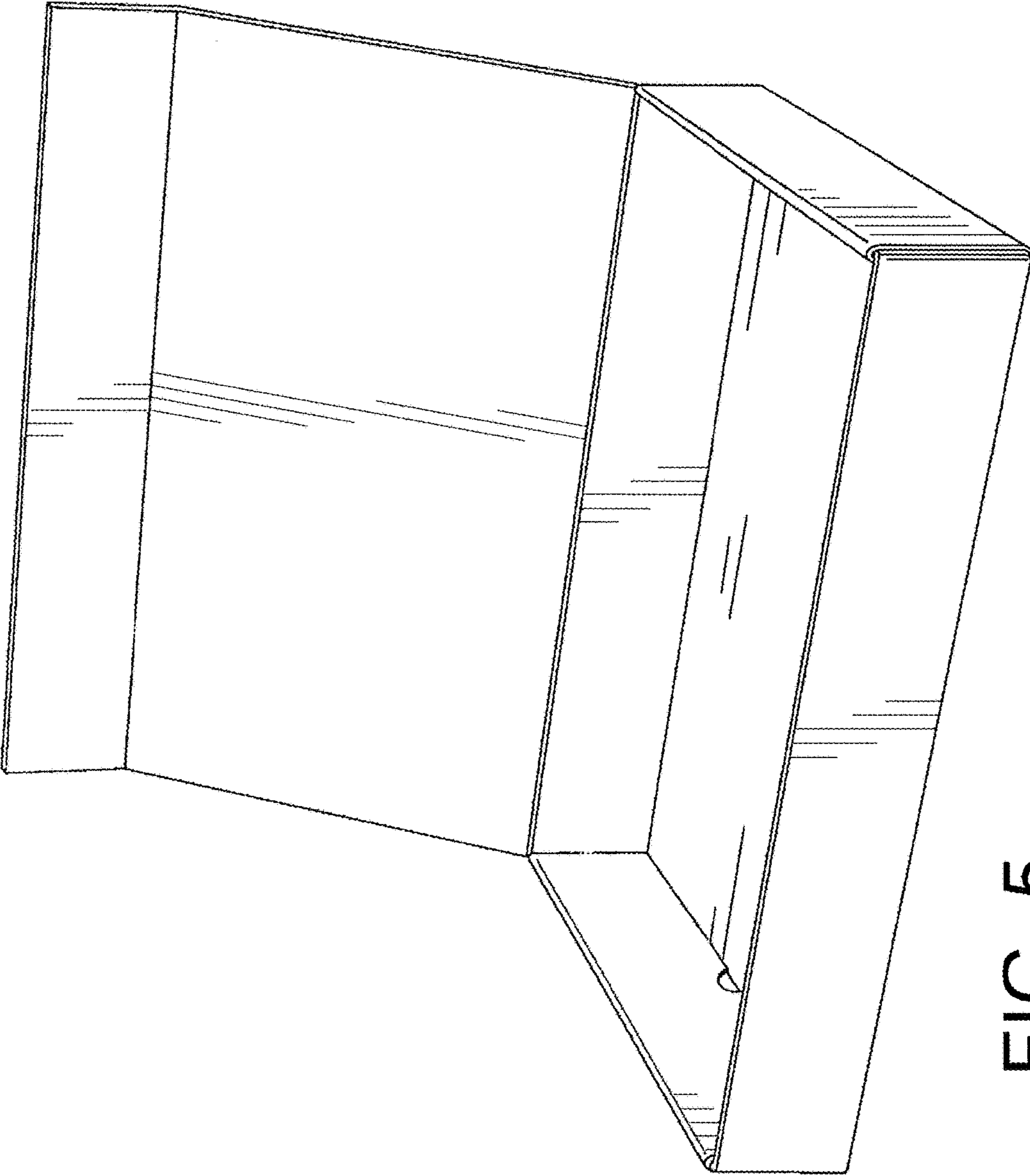


FIG. 5

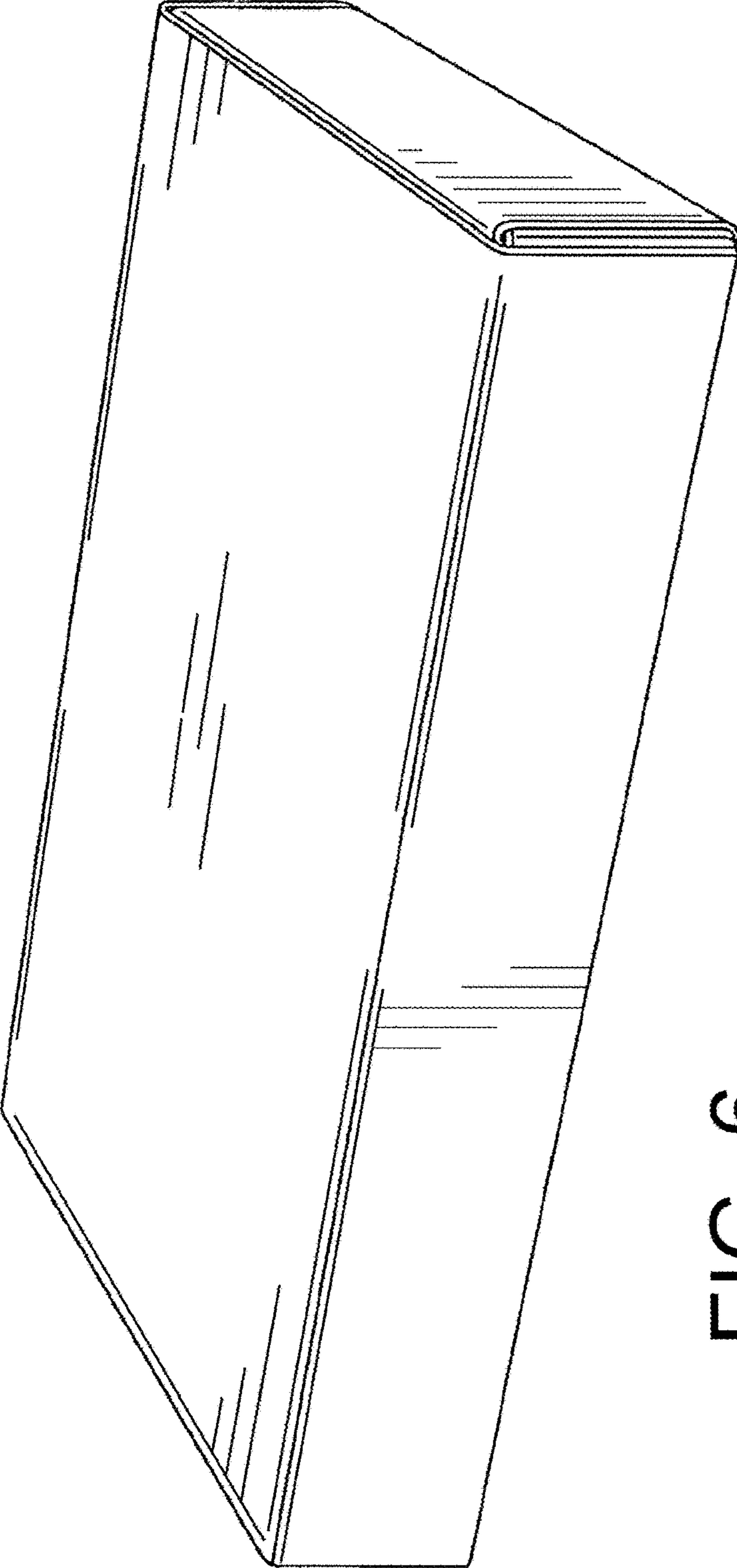


FIG. 6

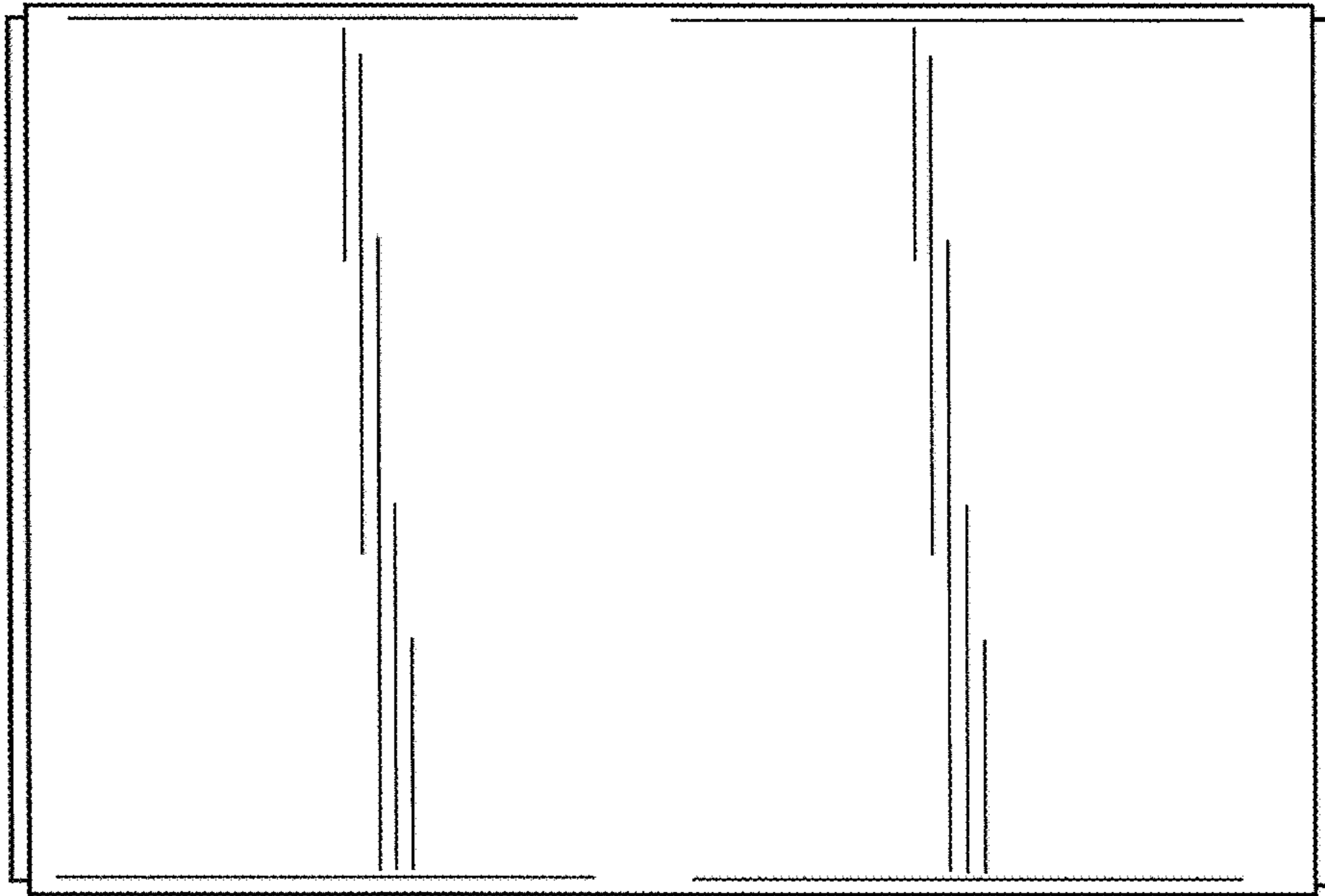


FIG. 8



FIG. 7

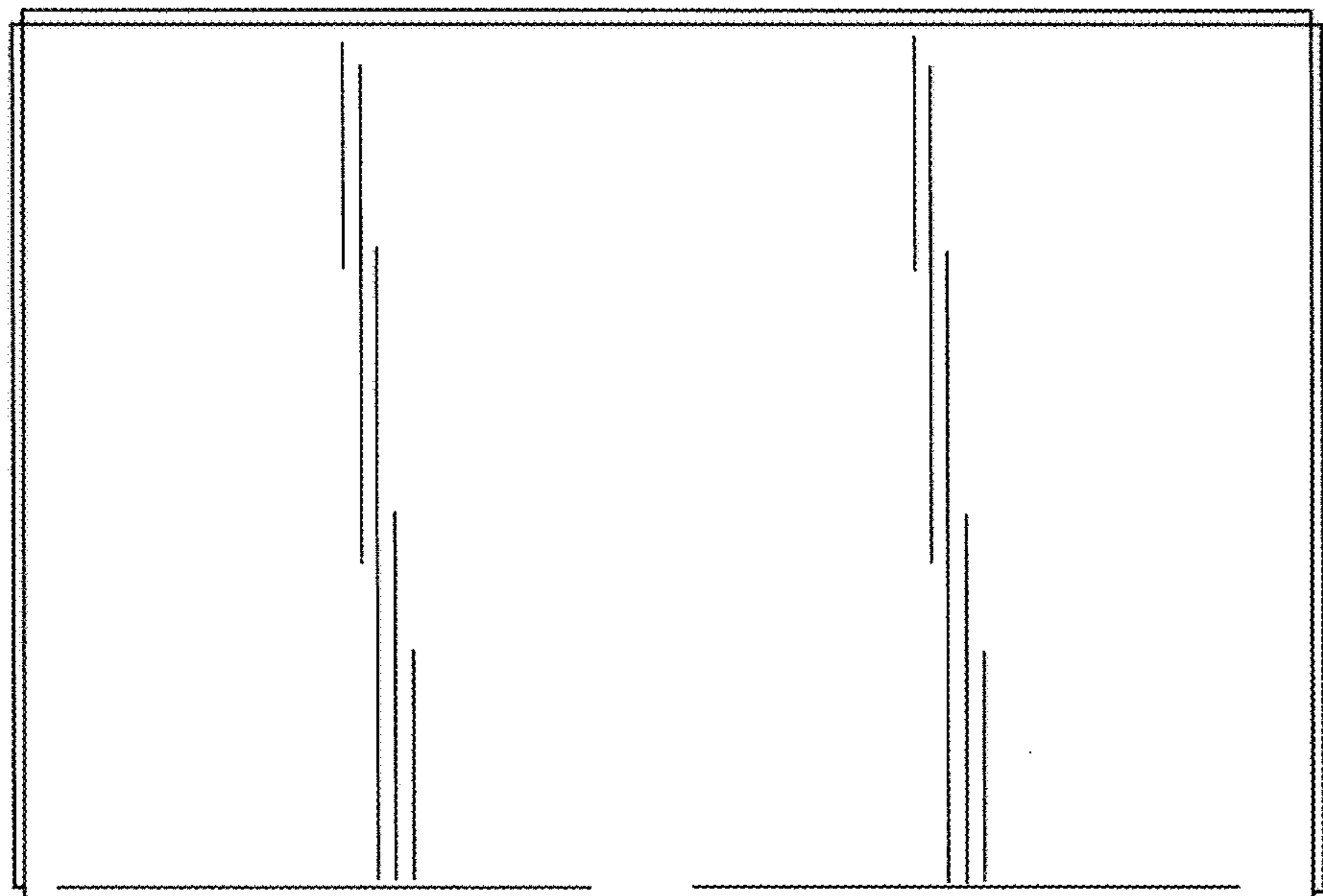


FIG. 9



FIG. 10

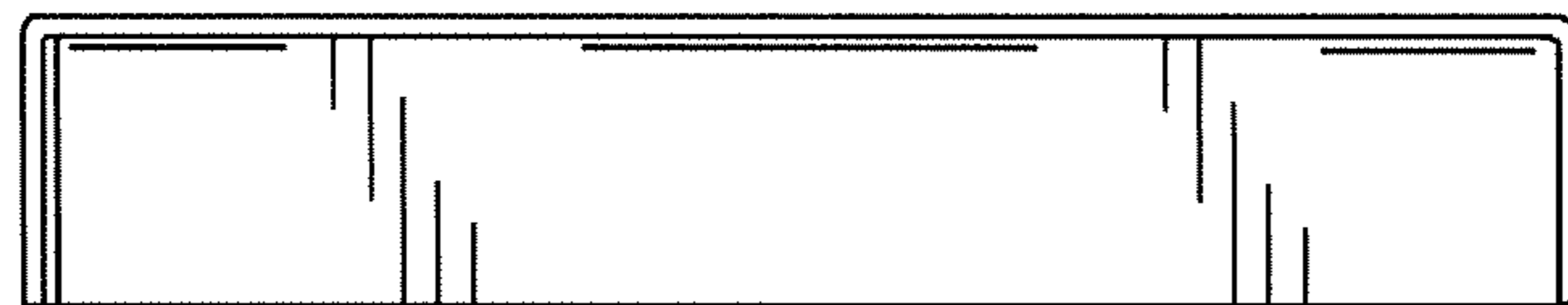


FIG. 11



FIG. 12