



US00D858273S

(12) **United States Design Patent** (10) **Patent No.:** **US D858,273 S**
Exner (45) **Date of Patent:** **** *Sep. 3, 2019**

(54) **CARTON SYSTEM**
(71) Applicant: **Graphic Packaging International, LLC**, Atlanta, GA (US)
(72) Inventor: **Dana Exner**, Wheaton, IL (US)
(73) Assignee: **Graphic Packaging International, LLC**, Atlanta, GA (US)
(*) Notice: This patent is subject to a terminal disclaimer.

D473,787 S 4/2003 Jones, Jr. et al.
D484,043 S 12/2003 Hwang et al.
D519,366 S * 4/2006 Epstein D9/431
D519,830 S * 5/2006 Yocum D9/420
D561,023 S * 2/2008 Jacxsens D9/431
7,669,755 B2 3/2010 Smalley
7,699,214 B2 4/2010 Mestre et al.
D630,508 S * 1/2011 Hubbard, Jr. D9/431
D631,741 S * 2/2011 Hubbard, Jr. D9/431
D631,742 S * 2/2011 Hubbard, Jr. D9/431
D631,743 S * 2/2011 Hubbard, Jr. D9/431
D684,858 S * 6/2013 Sill D9/421
8,740,050 B2 6/2014 Zinck et al.

(Continued)

(**) Term: **15 Years**

OTHER PUBLICATIONS

(21) Appl. No.: **29/641,849**
(22) Filed: **Mar. 26, 2018**
(51) **LOC (12) Cl.** **09-03**
(52) **U.S. Cl.**
USPC **D9/431**
(58) **Field of Classification Search**
USPC D9/414-423, 424-429, 430-432, 433,
D9/434, 456, 457, 711, 713, 721-722
CPC ... B65D 5/00; B65D 5/02; B65D 5/18; B65D
5/20
See application file for complete search history.

Colpac Visione Cardboard Food Tray. [online] Published on Apr. 20, 2017. Retrieved Dec. 18, 2018 from URL: <http://www.castawayfoodpackaging.co.nz/product/01viztfl-visione-cardboard-food-tray/>.*

Primary Examiner — Vy N Koenig
(74) *Attorney, Agent, or Firm* — Womble Bond Dickinson (US) LLP

(57) **CLAIM**

The ornamental design for a carton system, as shown and described.

(56) **References Cited**

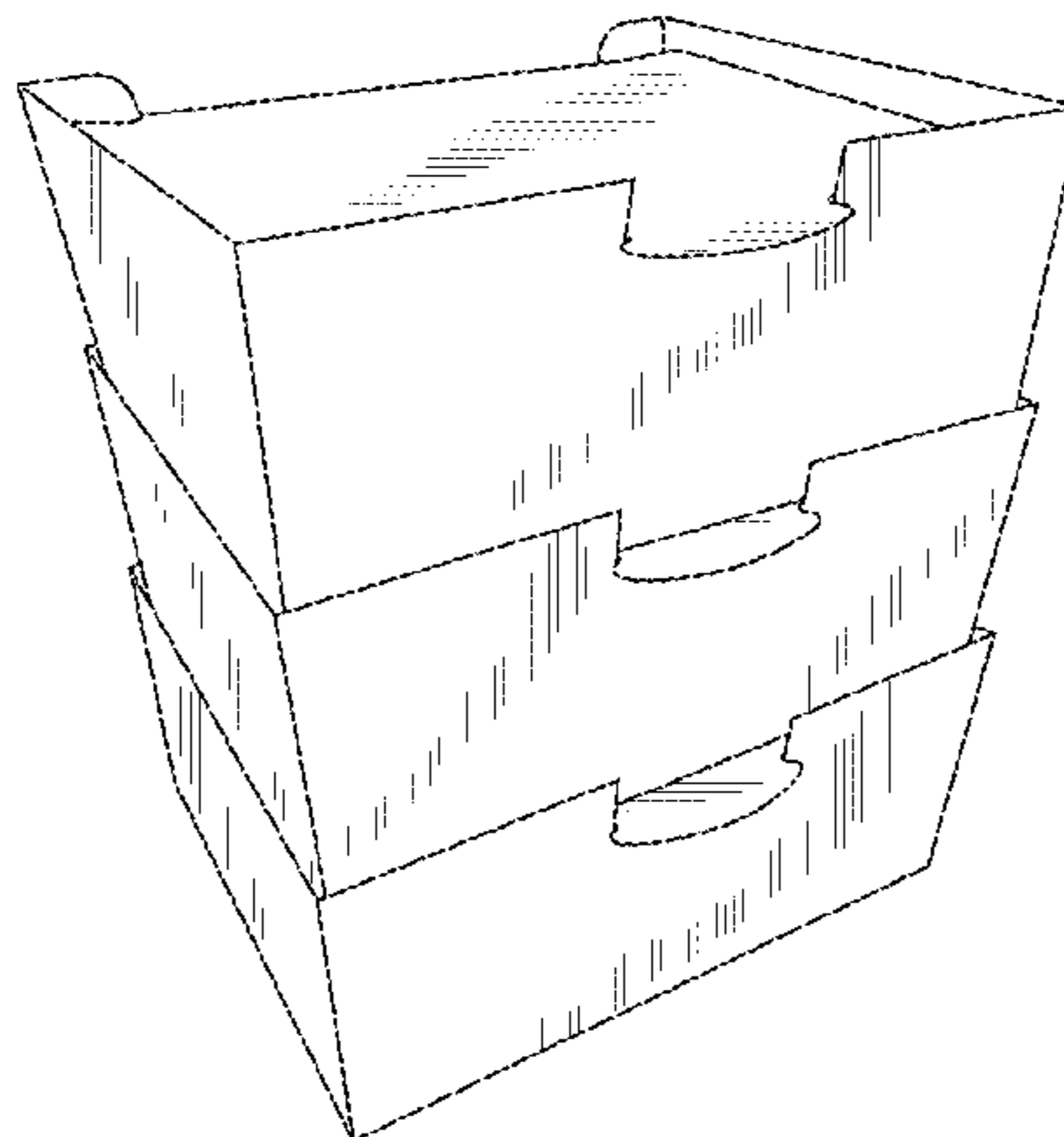
DESCRIPTION

U.S. PATENT DOCUMENTS

637,838 A * 11/1899 Vernon B65D 5/26
229/194
1,892,756 A * 1/1933 Van Horne B65D 5/603
206/515
D217,441 S * 5/1970 Kanaga D9/421
3,840,172 A 10/1974 Zimmermann
5,388,758 A 2/1995 Scovell
6,041,997 A 3/2000 Jensen
6,126,065 A * 10/2000 Wee B65D 5/2047
229/114
D458,127 S 6/2002 De Groote
D467,499 S 12/2002 Garza et al.

FIG. 1 is a perspective view of a carton system showing my new design.
FIG. 2 is a front elevation view of the carton system of FIG. 1.
FIG. 3 is a rear elevation view of the carton system of FIG. 1.
FIG. 4 is a left elevation view of the carton system of FIG. 1, the right elevation view is a mirror image.
FIG. 5 is a top plan view of the carton system of FIG. 1; and, FIG. 6 is a bottom plan view of the carton system of FIG. 1.

1 Claim, 6 Drawing Sheets



(56)

References Cited

U.S. PATENT DOCUMENTS

| | | | | |
|--------------|------|---------|--------------------|---------------------|
| D753,994 | S | 4/2016 | Pantelleria | |
| 9,309,023 | B2 * | 4/2016 | Hubbard, Jr. | B65D 5/2076 |
| D755,624 | S * | 5/2016 | Ng | D9/431 |
| D762,468 | S | 8/2016 | Pantelleria et al. | |
| D769,114 | S * | 10/2016 | Montemayor | D9/431 |
| 9,505,516 | B2 * | 11/2016 | Hubbard, Jr. | B65D 5/2047 |
| D775,947 | S * | 1/2017 | Epstein | D9/433 |
| 9,701,438 | B2 | 7/2017 | Fitzwater et al. | |
| D805,894 | S * | 12/2017 | Lee | D9/431 |
| D811,875 | S | 3/2018 | Haen et al. | |
| D813,029 | S | 3/2018 | Borkovetz et al. | |
| 2008/0087679 | A1 * | 4/2008 | Cook | B65D 5/008 221/1 |

* cited by examiner

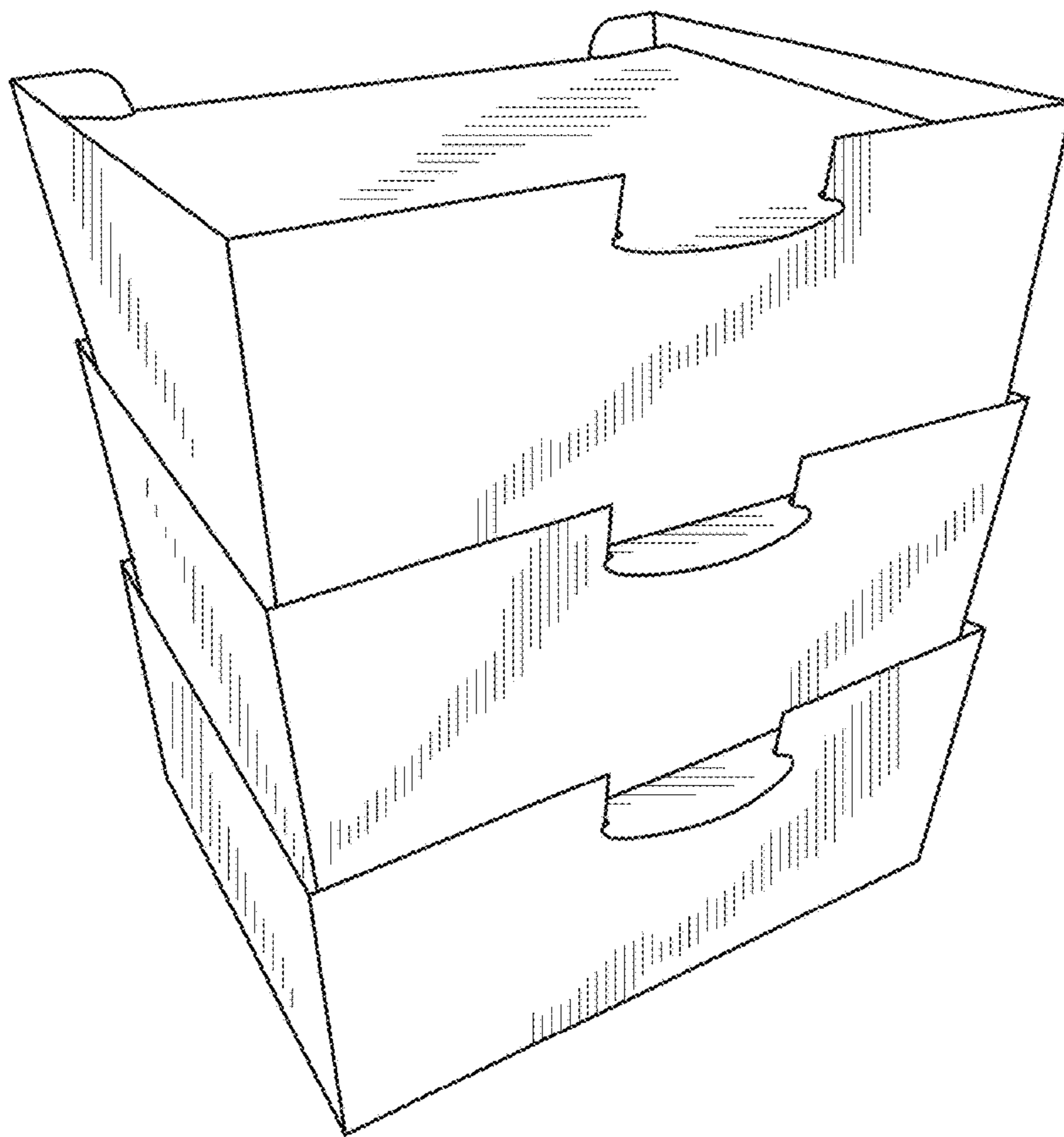


FIG. 1

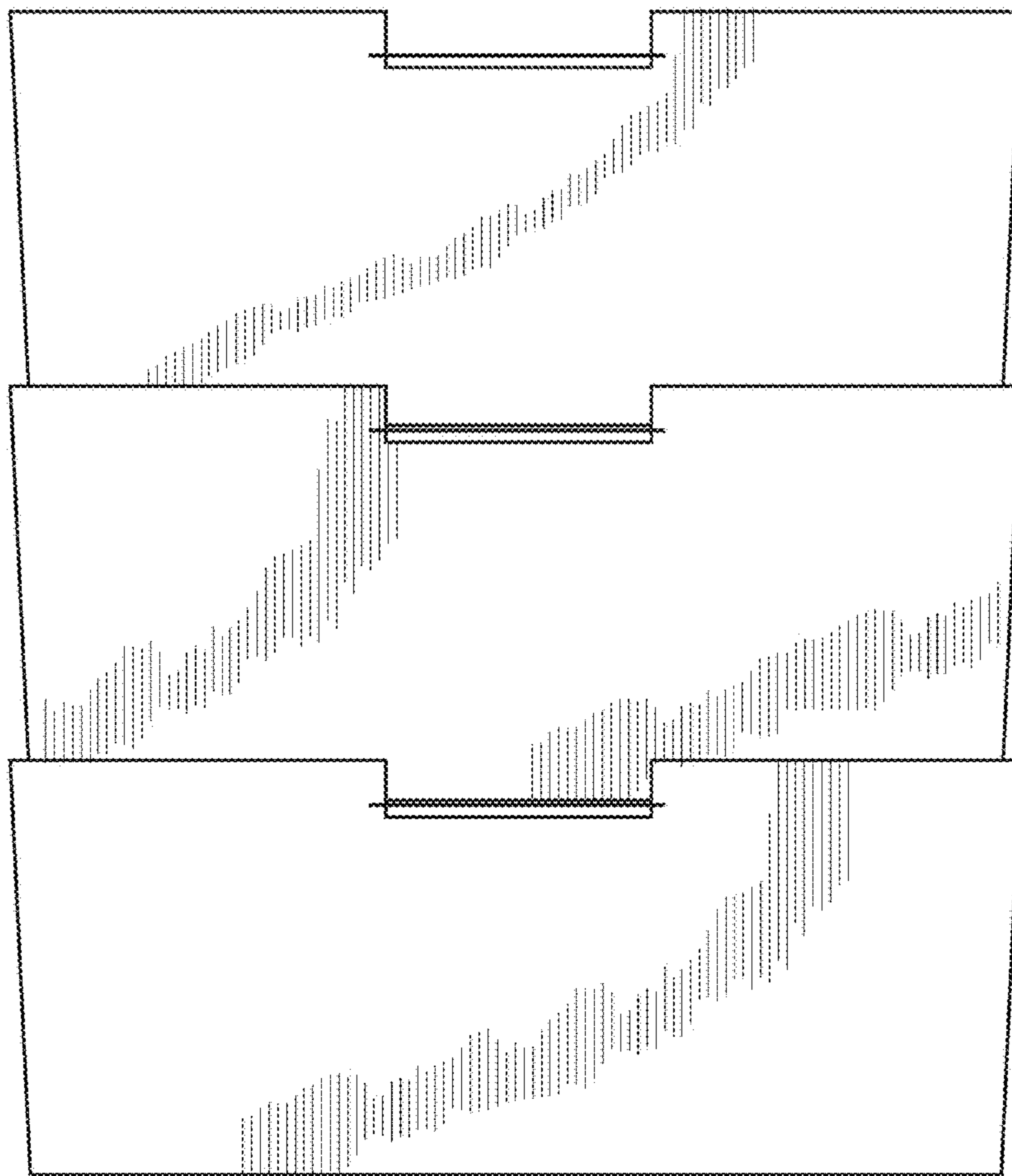


FIG. 2

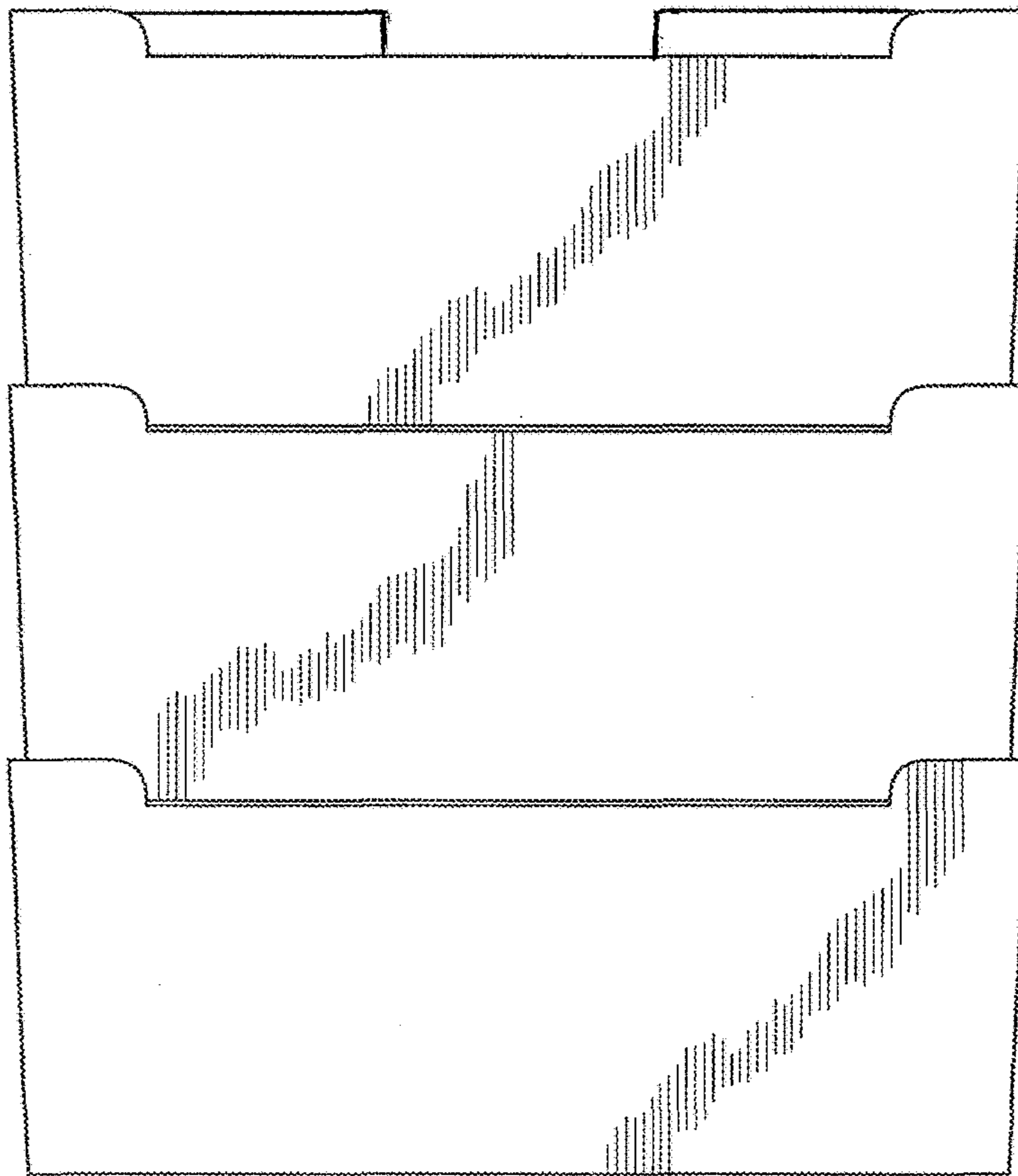


FIG. 3

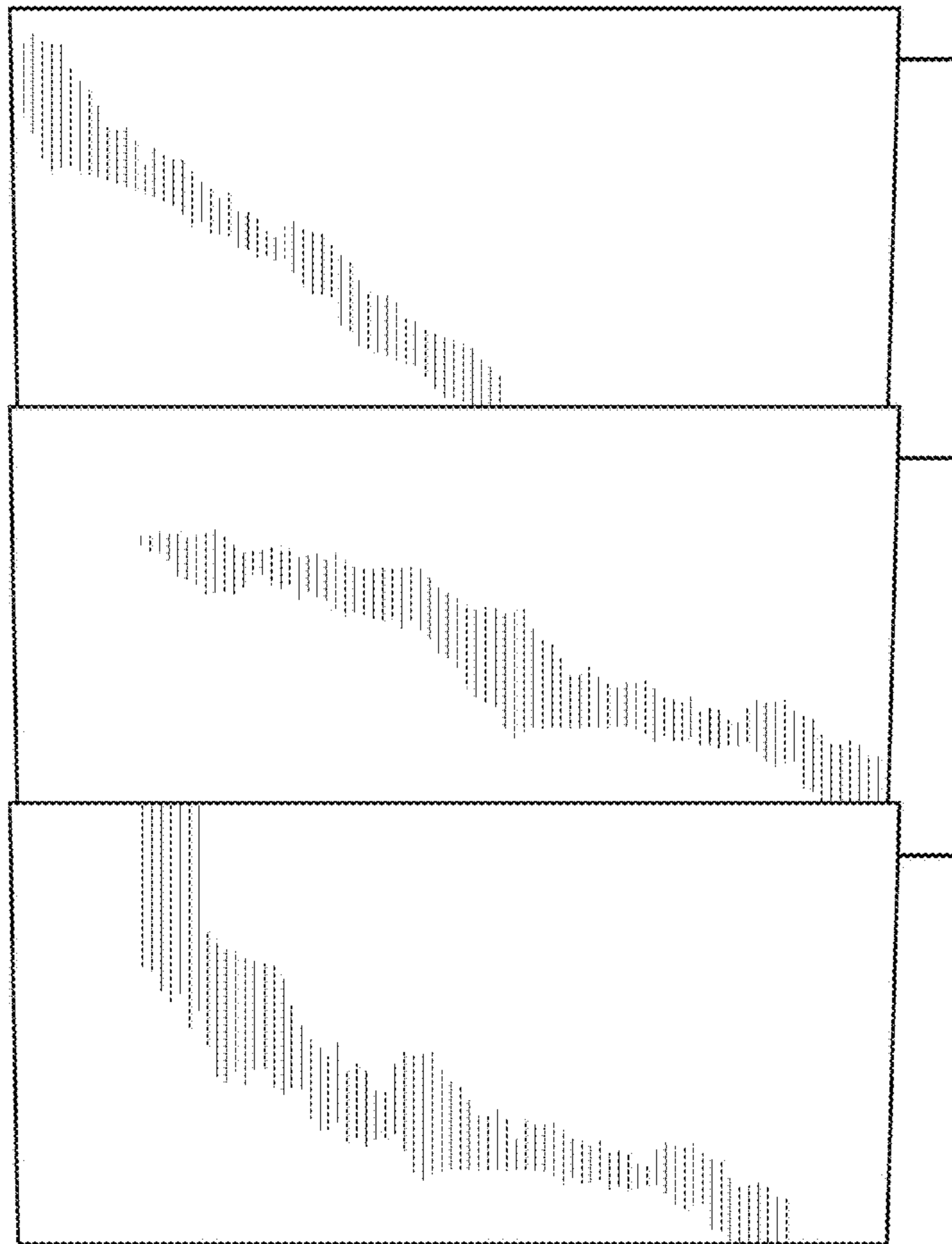


FIG. 4

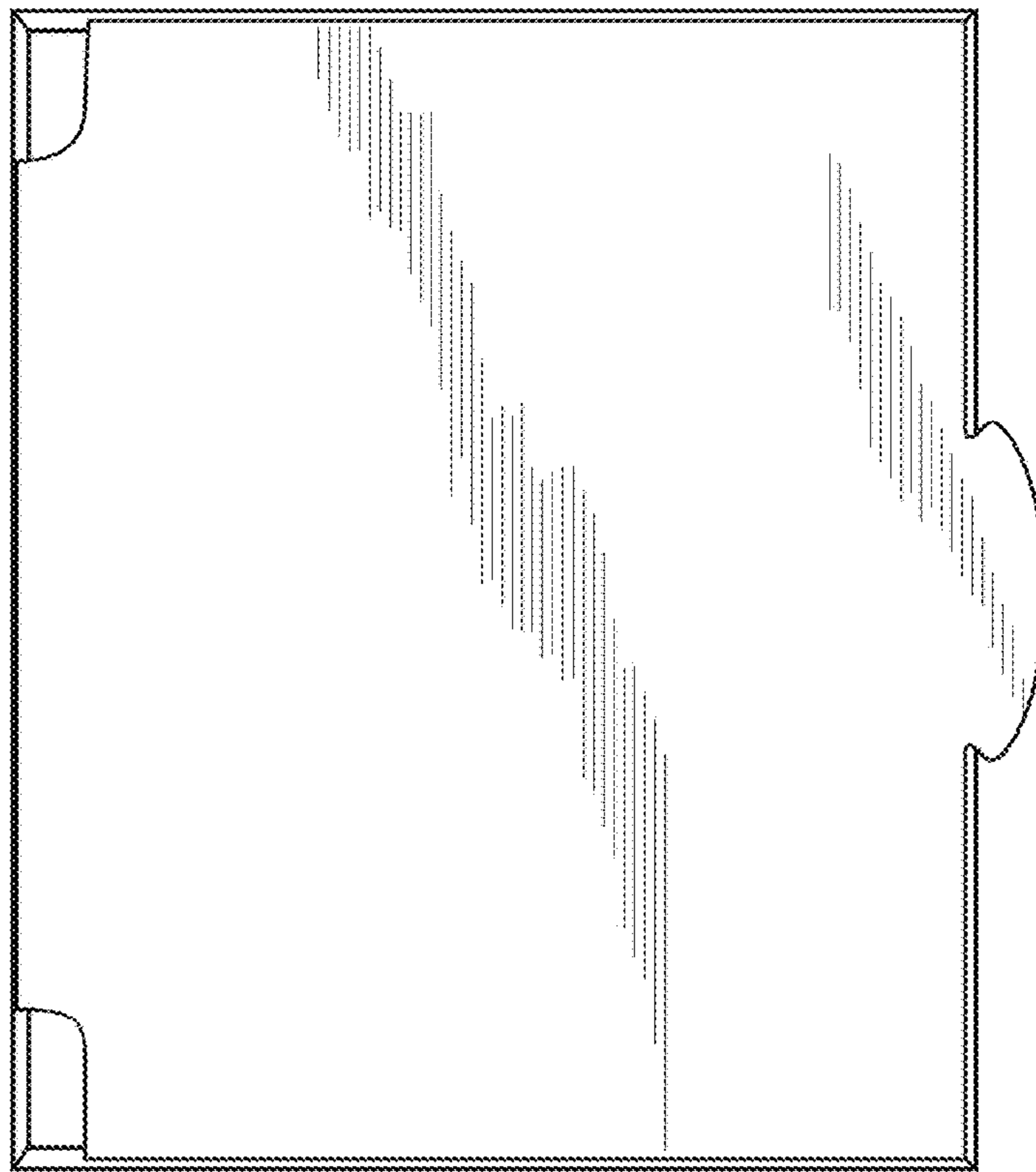


FIG. 5

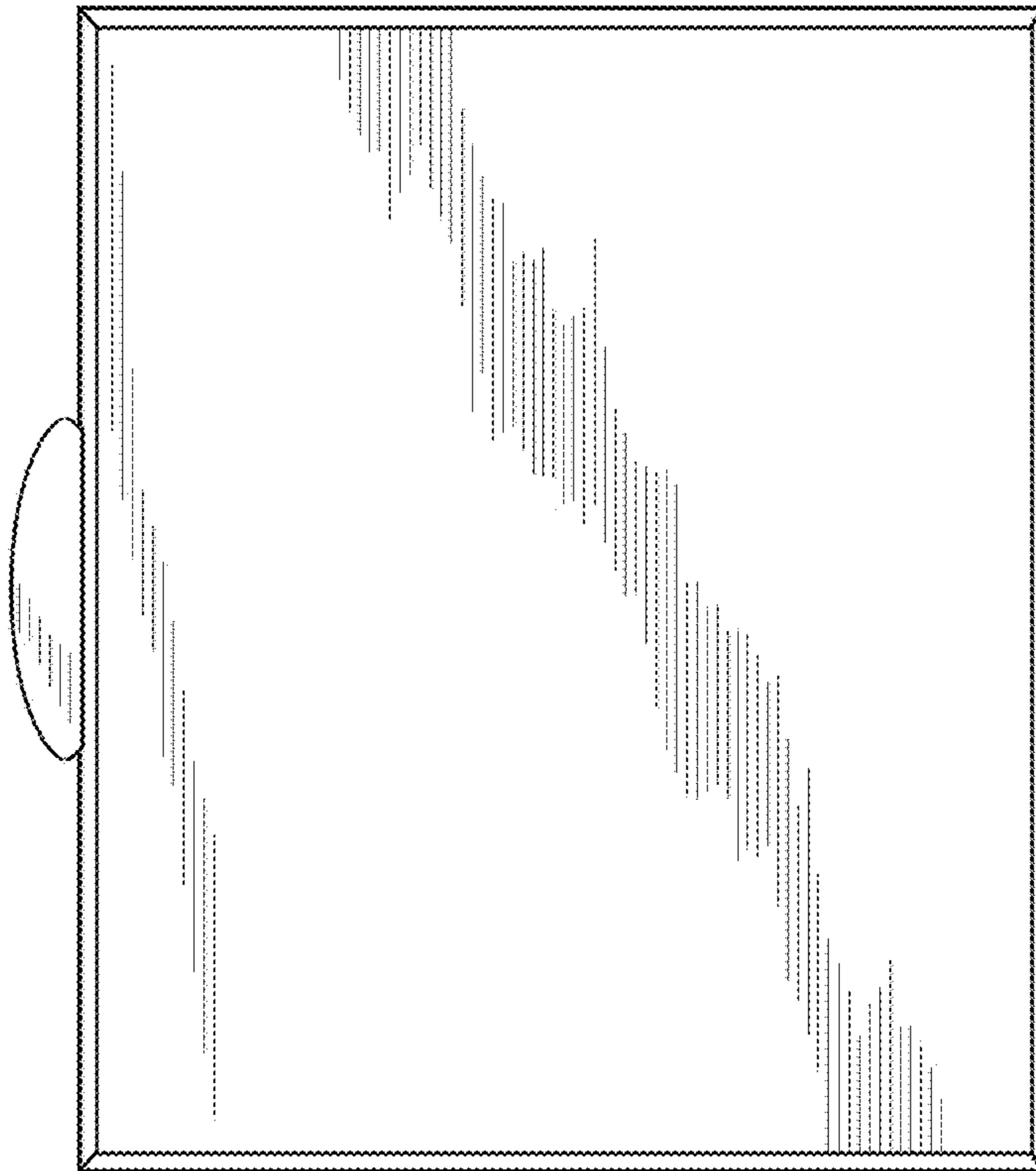


FIG. 6