



US00D858272S

(12) **United States Design Patent** (10) **Patent No.:** **US D858,272 S**
Jenniges et al. (45) **Date of Patent:** **** Sep. 3, 2019**

(54) **FOOD PACKAGE** 5,702,054 A * 12/1997 Philips B65D 5/6664
229/110
(71) Applicant: **SFC Global Supply Chain, Inc.**, 5,806,755 A 9/1998 Correll
Marshall, MN (US) 5,961,035 A * 10/1999 Correll B65D 5/2033
229/104

(72) Inventors: **Daniel Joseph Jenniges**, Plymouth, MN (US); **Jessica Rae Joslin**, Bloomington, MN (US)

(Continued)

(73) Assignee: **SFC Global Supply Chain, Inc.**, Marshall, MN (US)

OTHER PUBLICATIONS

(**) Term: **15 Years**

Corrugated Plain Kraft Pizza Box. [online] Published Sep. 24, 2017. Retrieved Aug. 29, 2018 from URL: https://www.amazon.com/Corrugated-Plain-Kraft-Pizza-Style/dp/B01AUZ0ML6/ref=lp_5016474011_1_16?s=industrial&ie=UTF8&qid=1535548172&sr=1-16.*

(21) Appl. No.: **29/624,111**

Primary Examiner — Vy N Koenig

(22) Filed: **Oct. 30, 2017**

(74) *Attorney, Agent, or Firm* — Merchant & Gould P.C.

(51) **LOC (12) Cl.** **09-03**

(57) **CLAIM**

(52) **U.S. Cl.**
USPC **D9/431**

The ornamental design for a food package, as shown and described.

(58) **Field of Classification Search**
USPC D9/414–423, 430–432, 433, 434, 456,
D9/457, 711, 713, 721–722
CPC ... B65D 5/00; B65D 5/02; B65D 5/18; B65D
5/20
See application file for complete search history.

DESCRIPTION

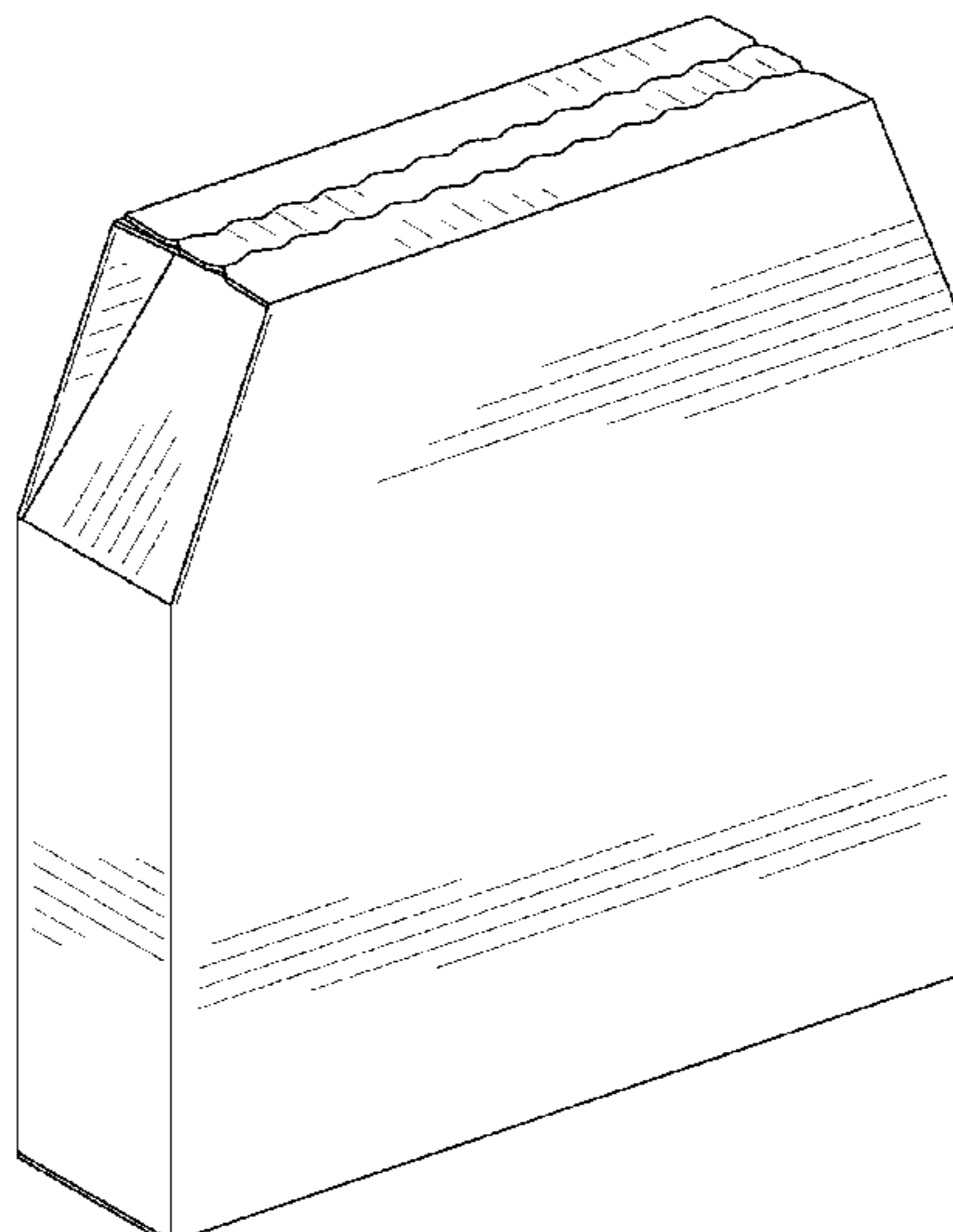
(56) **References Cited**

U.S. PATENT DOCUMENTS

5,071,062 A 12/1991 Bradley et al.
D329,806 S * 9/1992 Kindt D9/430
5,211,329 A * 5/1993 Patton B65D 5/2033
229/110
5,323,957 A 6/1994 Roosa
5,326,024 A * 7/1994 Fogle B65D 5/701
229/125.42
5,368,225 A * 11/1994 Ritter B65D 5/2033
229/110
5,402,929 A * 4/1995 Ritter B65D 5/2033
229/110
5,452,845 A * 9/1995 Ritter B65D 5/20
229/110

FIG. 1 is a top, left, front perspective view of a first embodiment of a food package;
FIG. 2 is a top view of the food package of FIG. 1;
FIG. 3 is a bottom view of the food package of FIG. 1;
FIG. 4 is a left side view of the food package of FIG. 1;
FIG. 5 is a right side view of the food package of FIG. 1;
FIG. 6 is a front view of the food package of FIG. 1;
FIG. 7 is a back view of the food package of FIG. 1;
FIG. 8 is a top, left, front perspective of a second embodiment of a food package;
FIG. 9 is a top view of the food package of FIG. 8;
FIG. 10 is a bottom view of the food package of FIG. 8;
FIG. 11 is a left side view of the food package of FIG. 8;
FIG. 12 is a right side view of the food package of FIG. 8;
FIG. 13 is a front view of the food package of FIG. 8; and,
FIG. 14 is a back view of the food package of FIG. 8.
The broken lines in the drawings depict portions of the food package that form no part of the claimed design.

1 Claim, 8 Drawing Sheets



(56)

References Cited

U.S. PATENT DOCUMENTS

6,109,512 A * 8/2000 Morrison B65D 5/665
229/110
6,547,125 B2 * 4/2003 Correll B65D 5/2033
229/110
D548,071 S * 8/2007 Chen D9/432
D804,301 S * 12/2017 Aono D9/430
2002/0053592 A1 * 5/2002 Urtubey B65D 5/745
229/217
2004/0222277 A1 * 11/2004 Correll B65D 5/2033
229/110

* cited by examiner

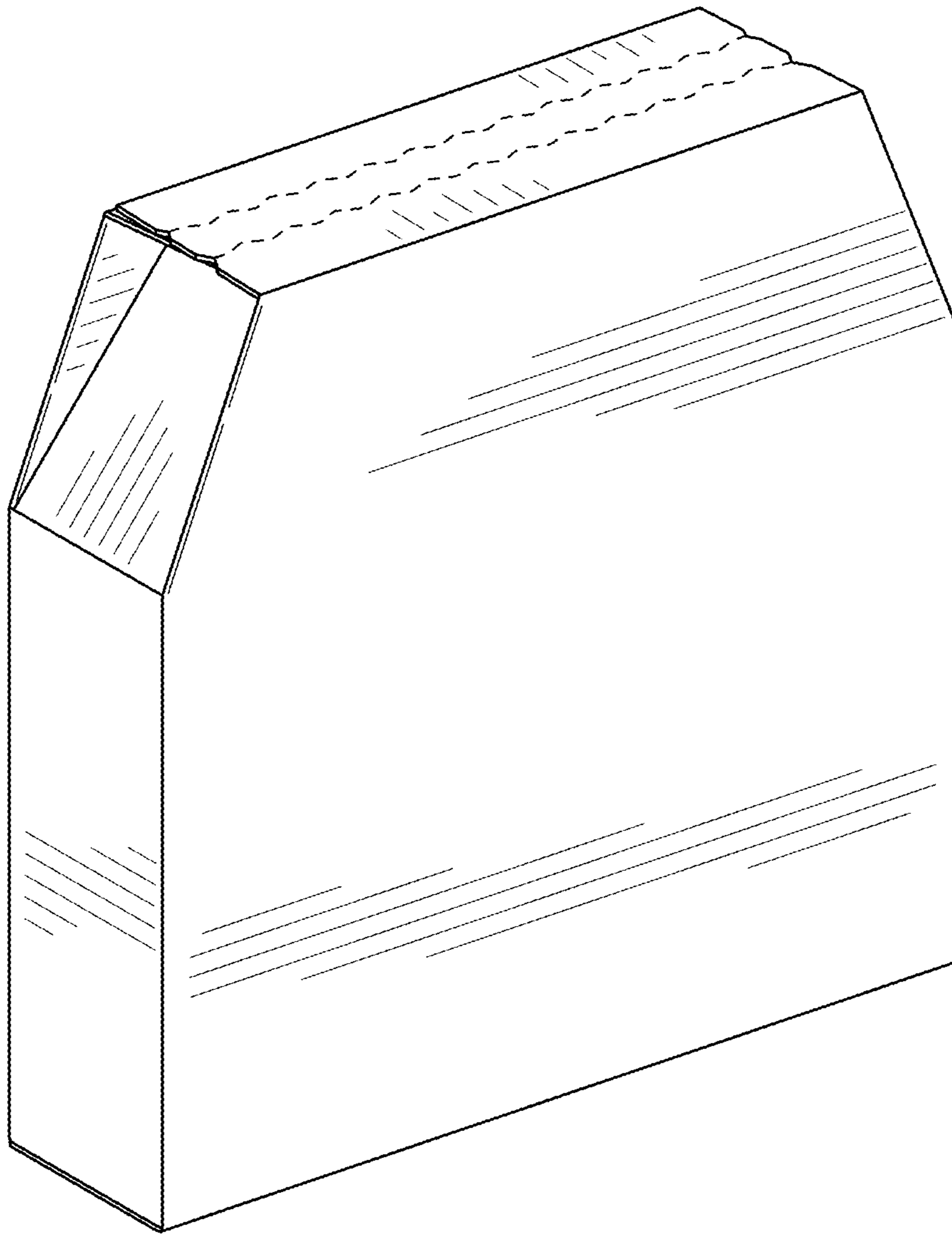


FIG. 1

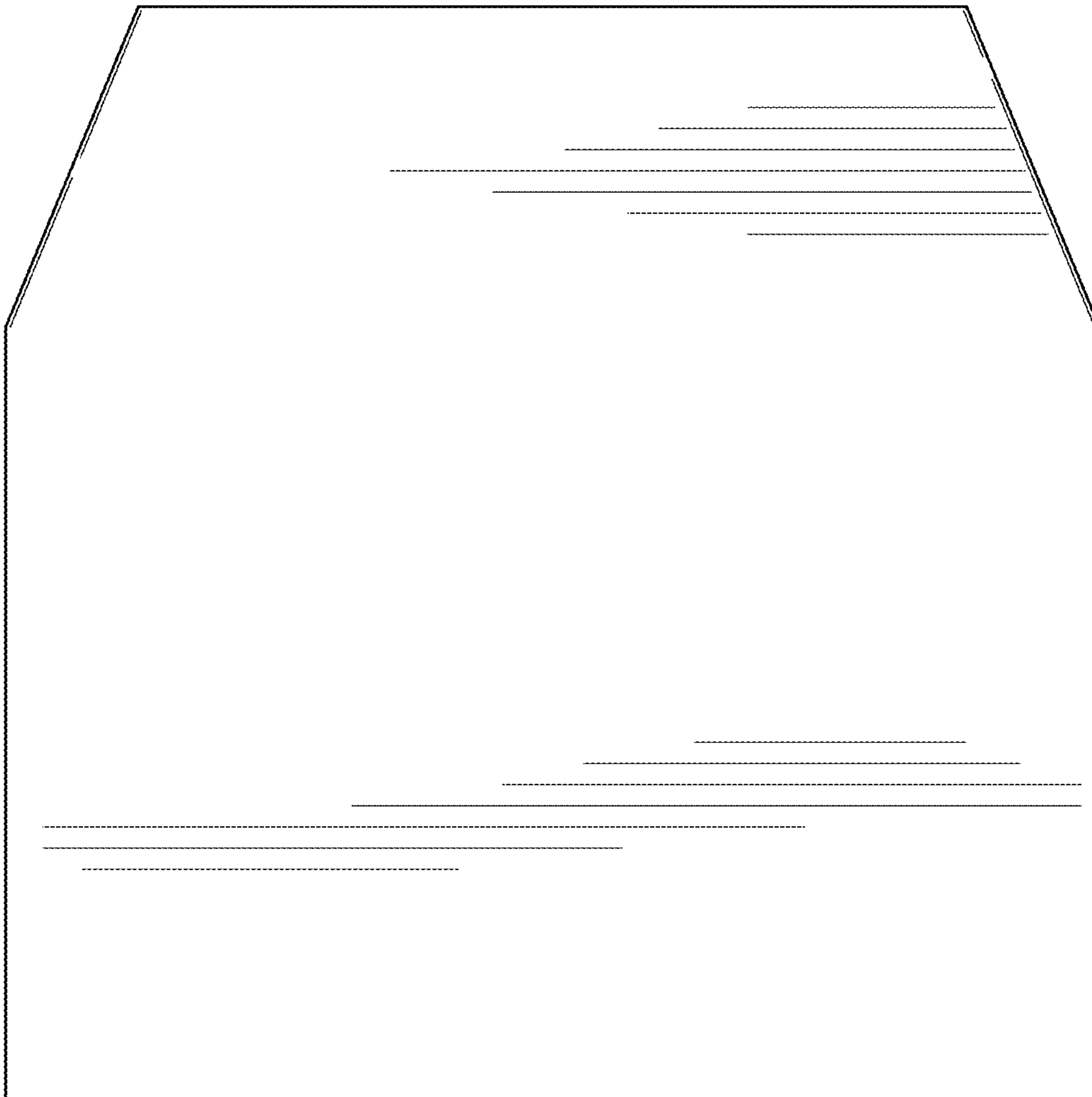


FIG. 2

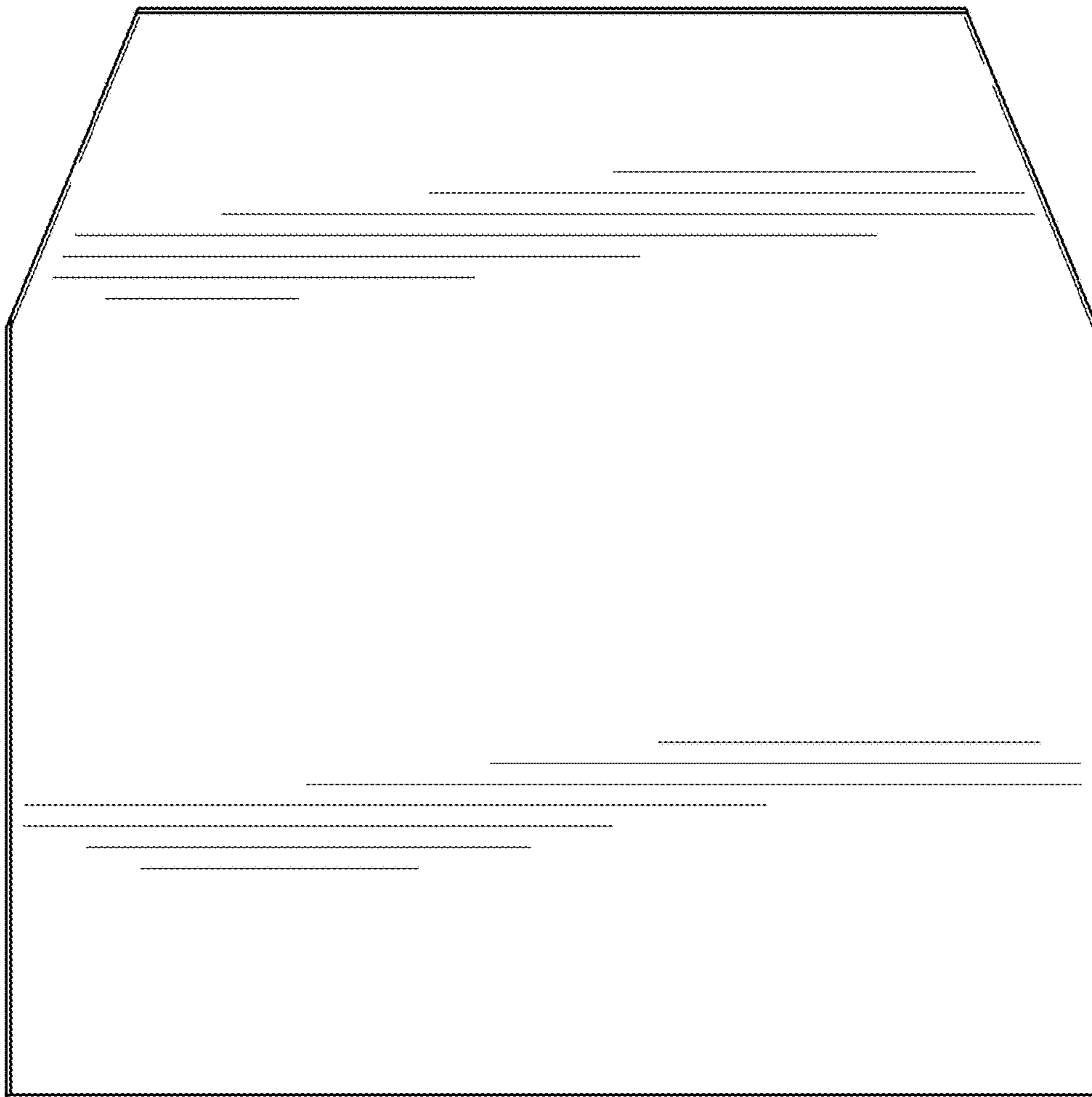


FIG. 3

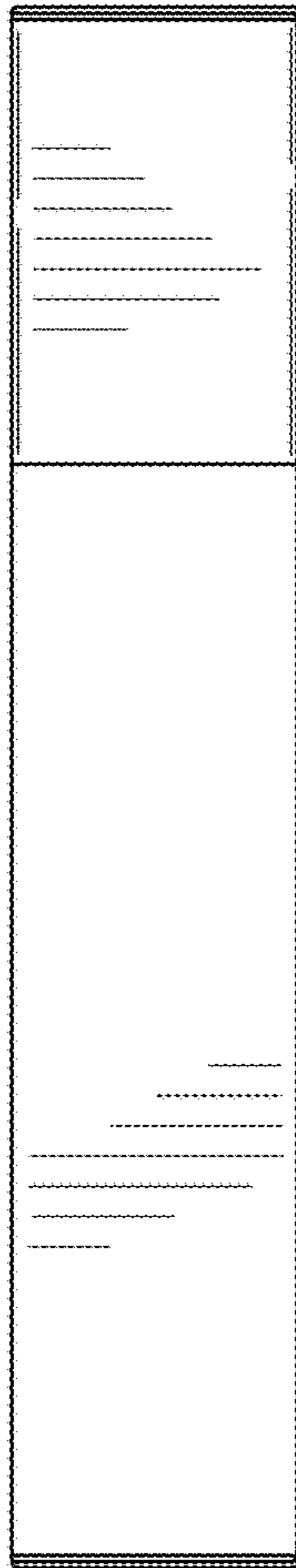


FIG. 4

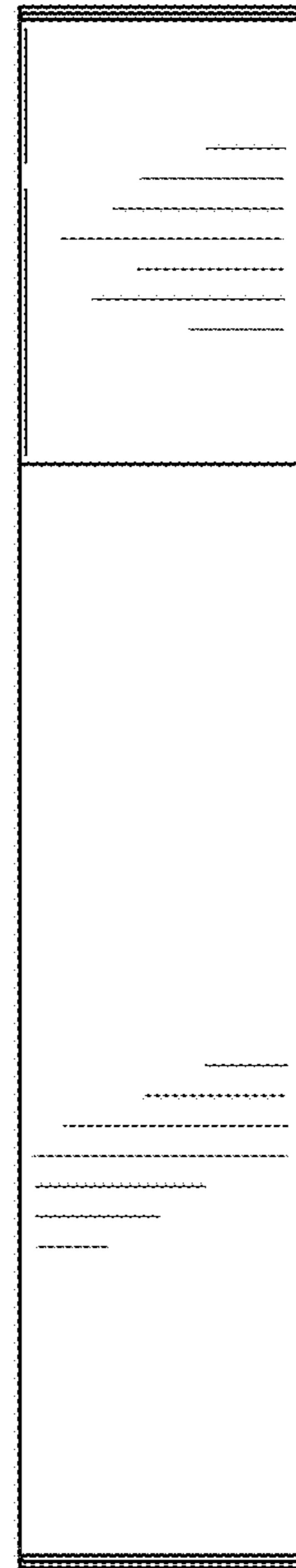


FIG. 5

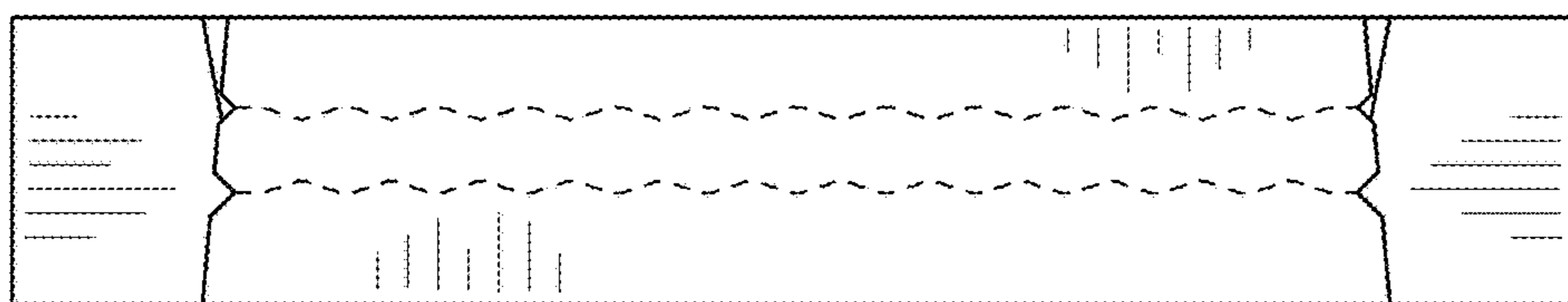


FIG. 6

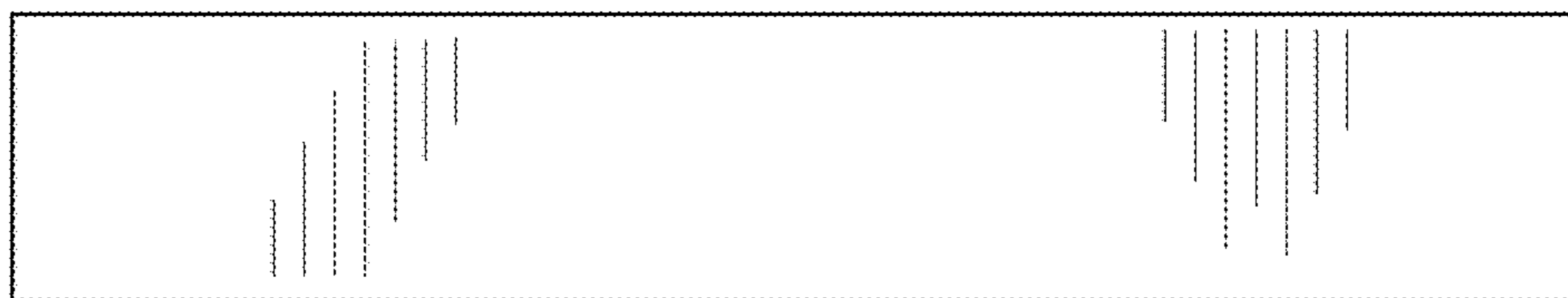


FIG. 7

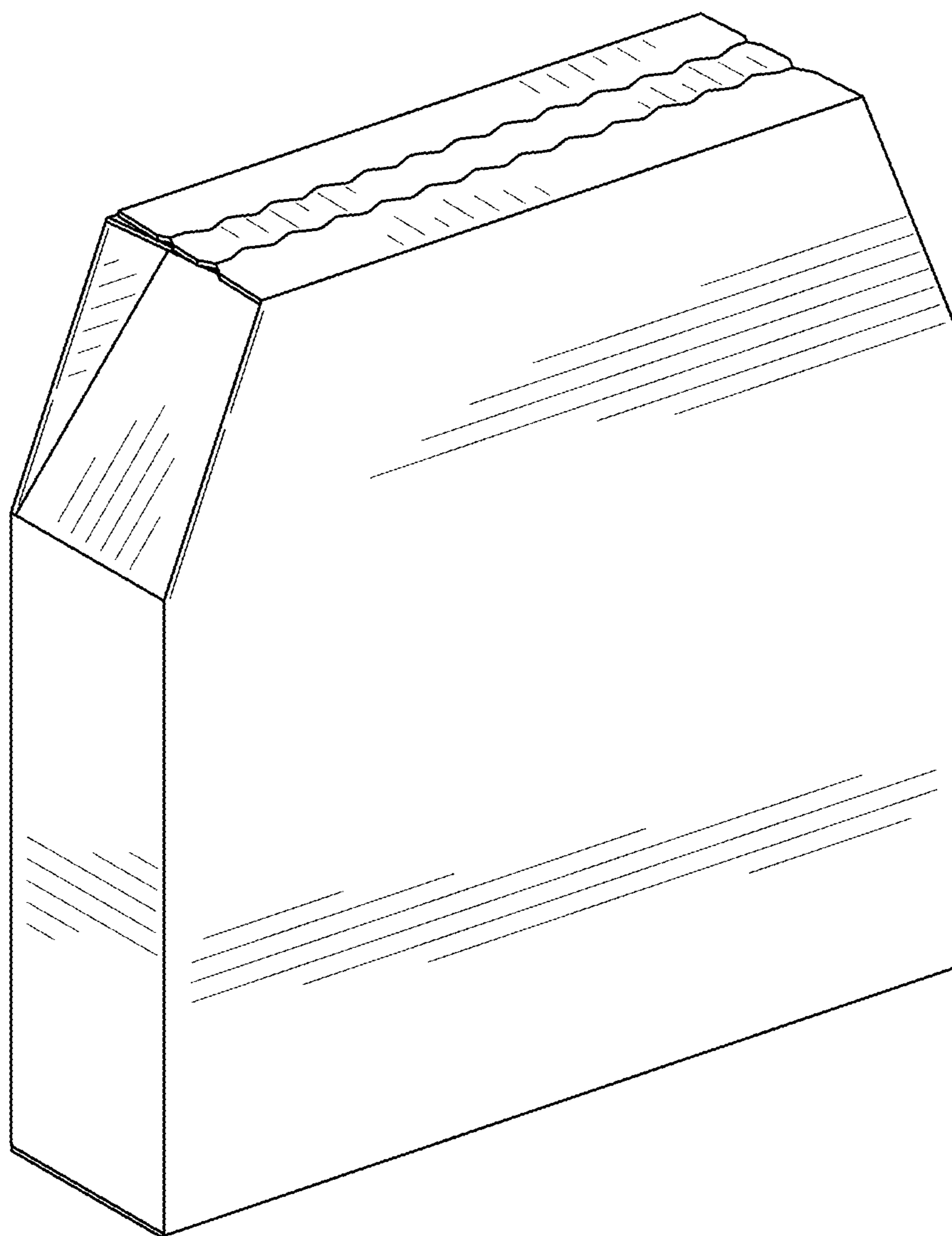


FIG. 8

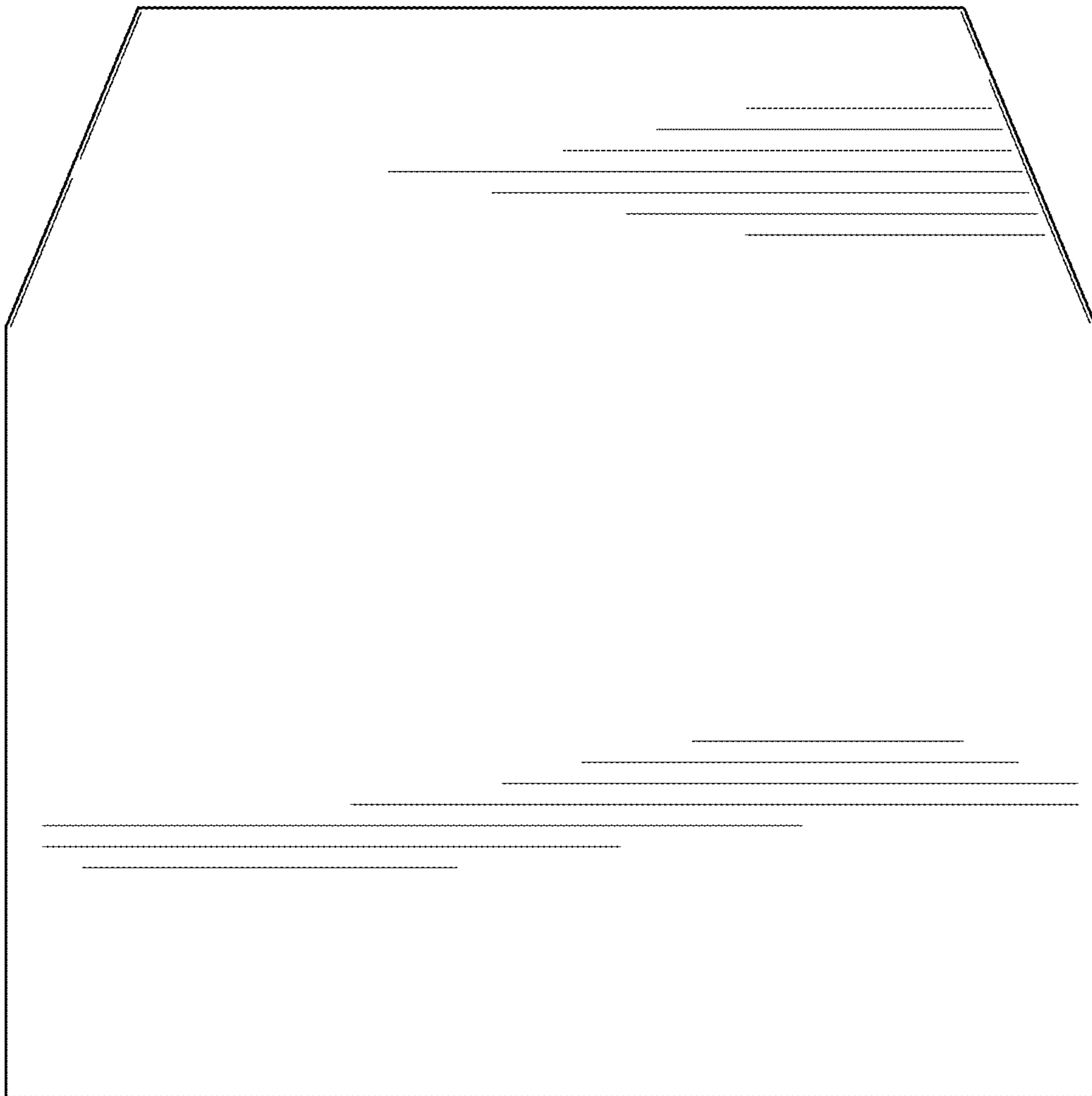


FIG. 9

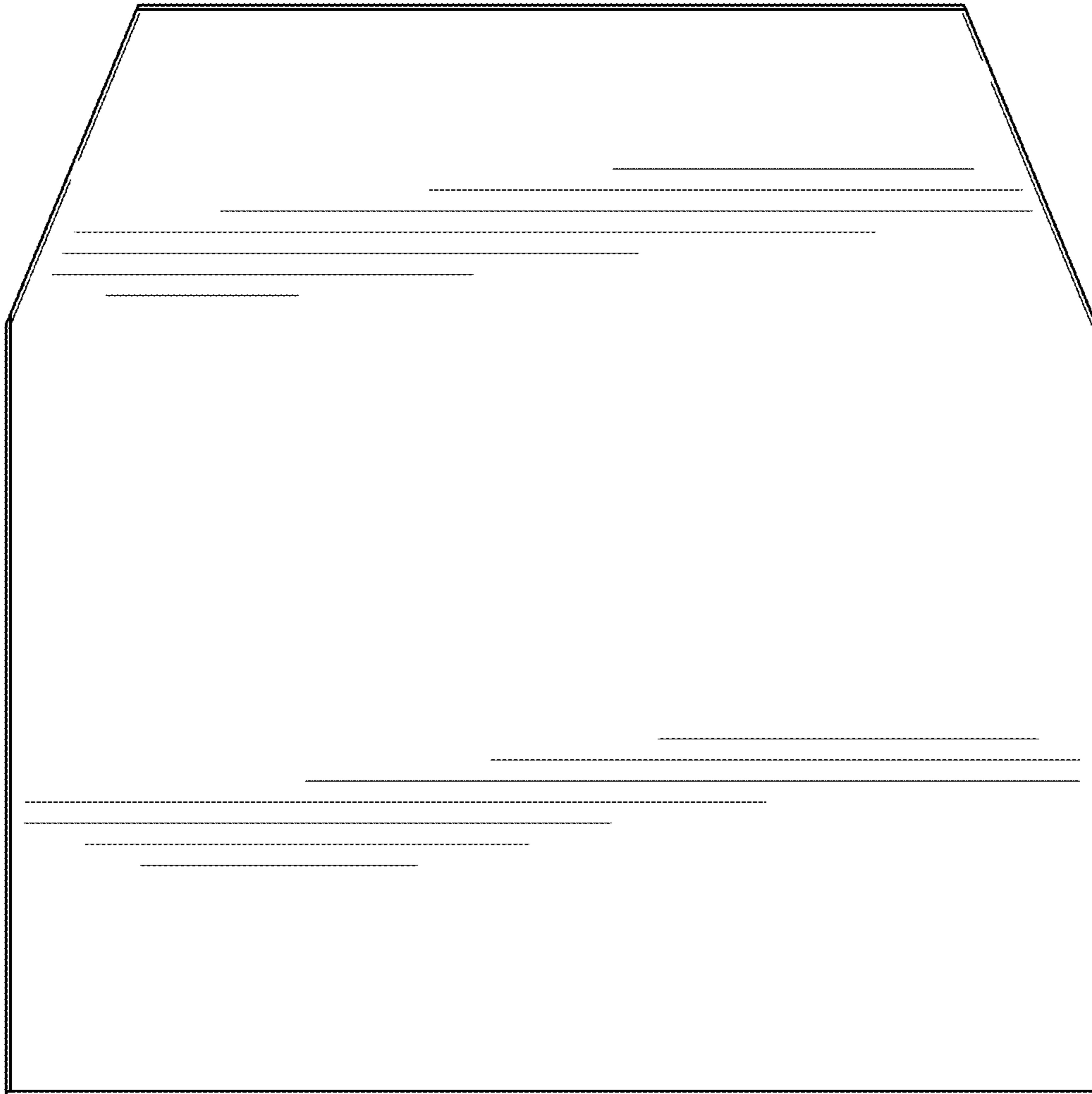


FIG. 10

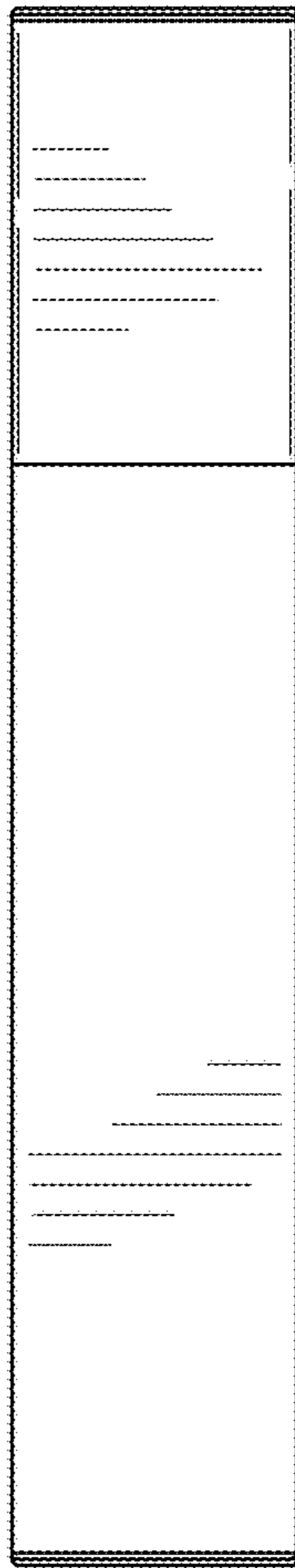


FIG. 11

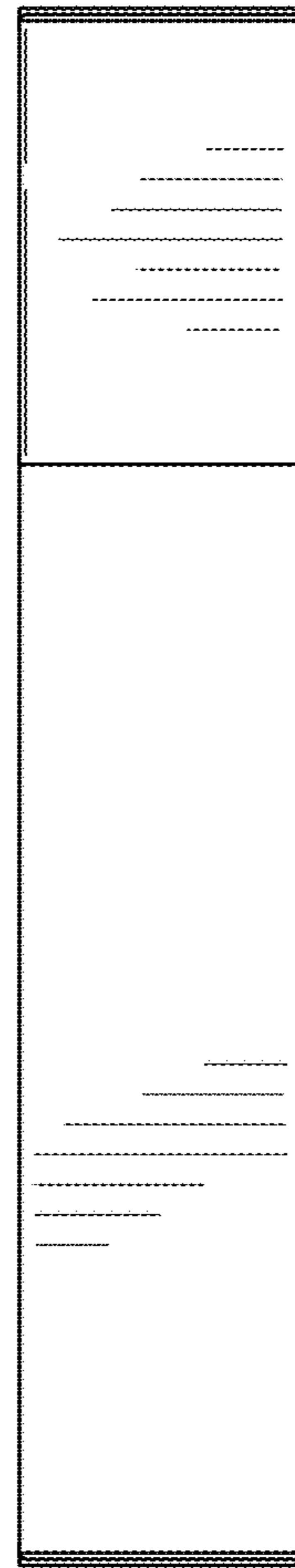


FIG. 12



FIG. 13



FIG. 14