



US00D858270S

(12) **United States Design Patent**  
**Requena et al.**

(10) **Patent No.:** **US D858,270 S**  
(45) **Date of Patent:** **\*\* Sep. 3, 2019**

- (54) **CARTON**
- (71) Applicant: **Graphic Packaging International, LLC, Atlanta, GA (US)**
- (72) Inventors: **Emili Requena, Igualada (ES); Josep Cano De Miguel, Castelloli (ES)**
- (73) Assignee: **Graphic Packaging International, LLC, Atlanta, GA (US)**
- (\*\*) Term: **15 Years**
- (21) Appl. No.: **29/646,503**
- (22) Filed: **May 4, 2018**
- (51) **LOC (12) Cl.** ..... **09-03**
- (52) **U.S. Cl.**  
USPC ..... **D9/420; D9/433**
- (58) **Field of Classification Search**  
USPC ..... D9/414-423, 424-429, 430-432, 433, D9/434, 456, 457, 500, 520, 549, 558, D9/711, 713, 721-722, 772; D3/290, D3/304, 305, 315; D20/10, 22, 27, 40, D20/42  
CPC ... B65D 5/00; B65D 5/02; B65D 5/18; B65D 5/20  
See application file for complete search history.

5,582,343 A 12/1996 Dalvey  
5,639,017 A 6/1997 Fogle  
5,647,483 A 7/1997 Harris  
(Continued)

**FOREIGN PATENT DOCUMENTS**

CA 877792 8/1971  
CA 2 160 145 9/1995  
(Continued)

**OTHER PUBLICATIONS**

Graphic Packaging International on sustainable packaging. [online] Retrieved Feb. 11, 2019 from URL: <https://qualityfoodawards.com/news/interview-graphic-packaging-international-on-sustainable-packaging-01-05-2018/>.\*

(Continued)

*Primary Examiner* — Vy N Koenig  
(74) *Attorney, Agent, or Firm* — Womble Bond Dickinson (US) LLP

(57) **CLAIM**

The ornamental design for a carton, as shown and described.

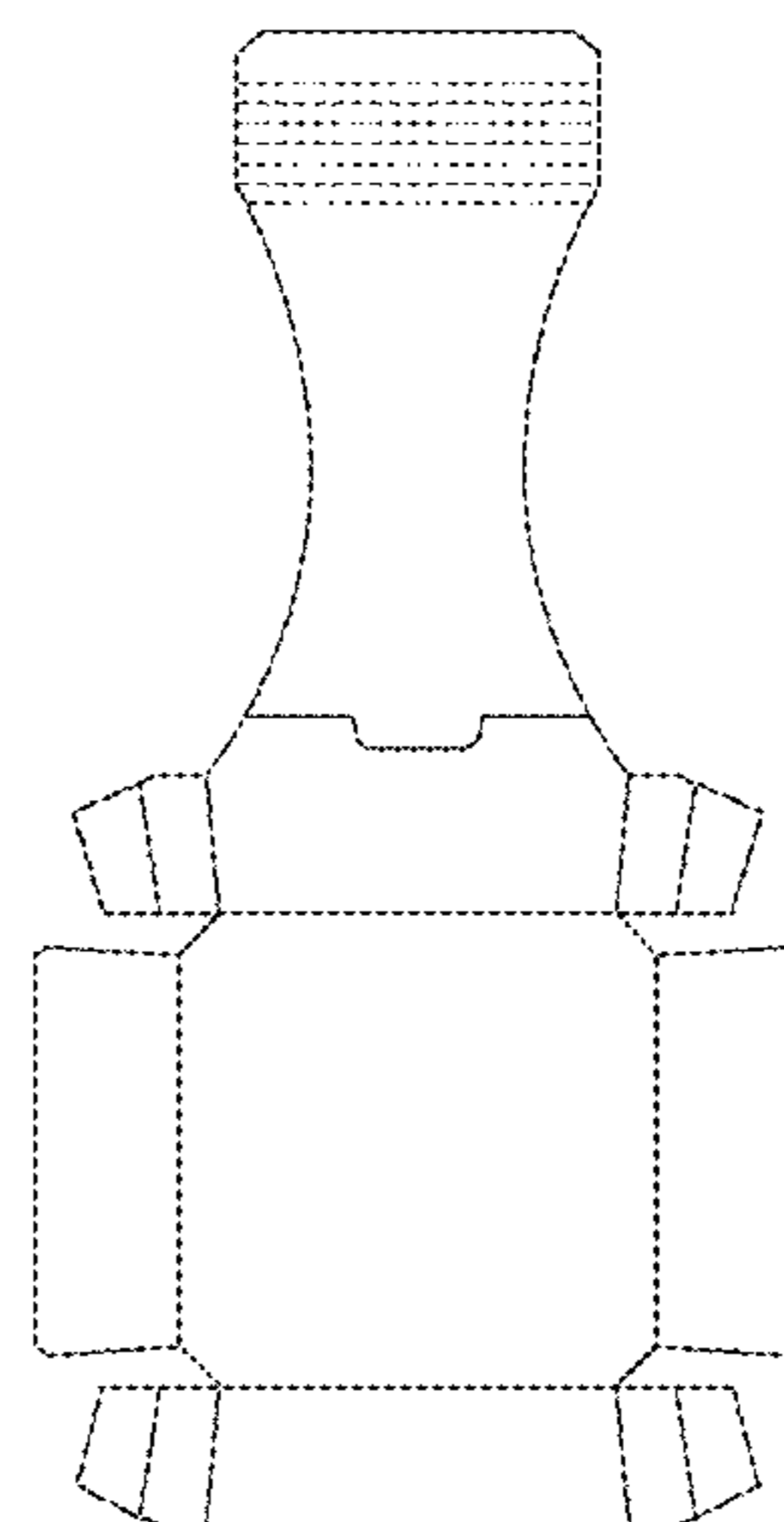
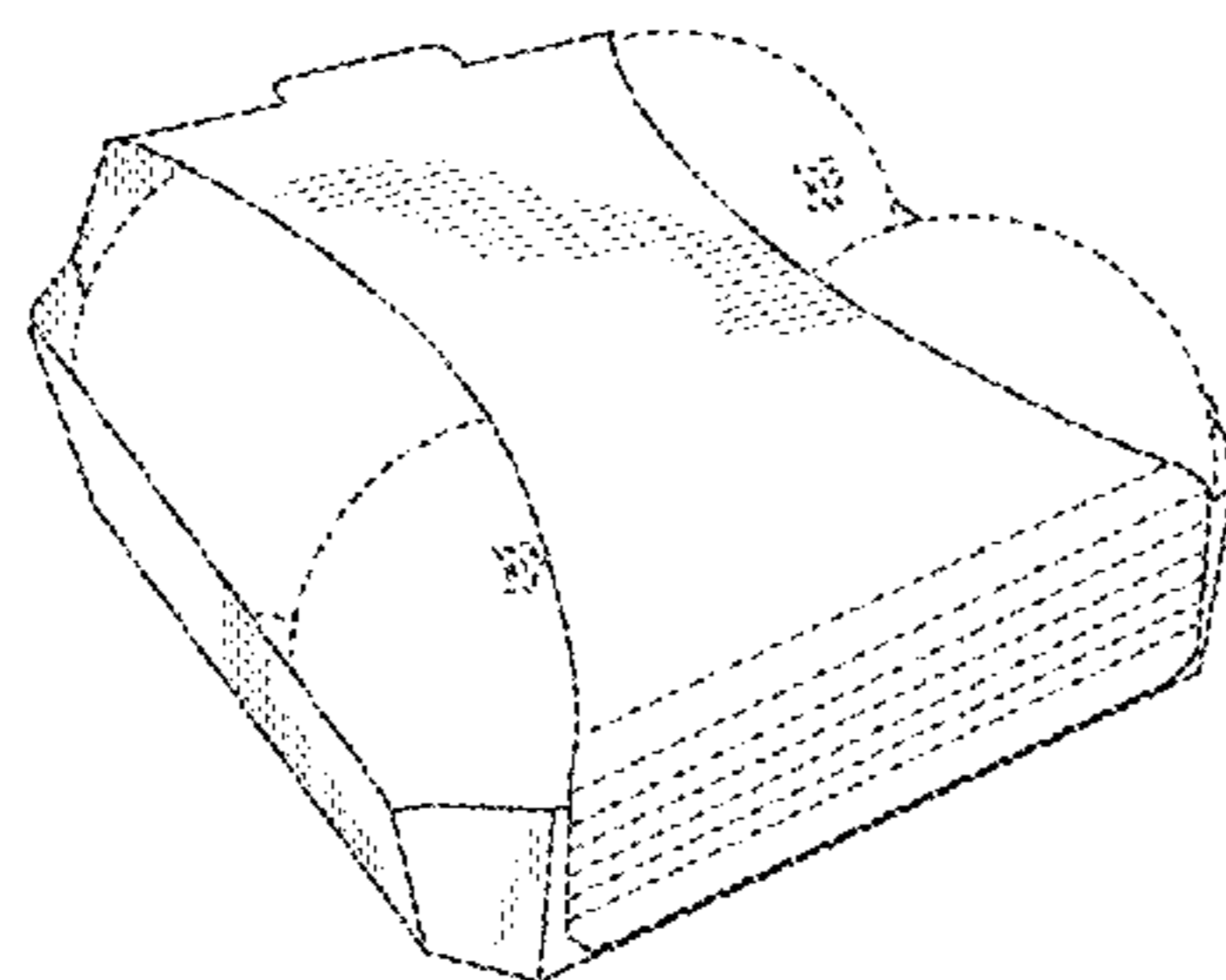
**DESCRIPTION**

FIG. 1 is a perspective view of a carton showing our new design according to the disclosure.  
FIG. 2 is a left elevation view of the carton of FIG. 1, the right elevation view is a mirror image.  
Fig. 3 is a front elevation view of the carton of FIG. 1.  
FIG. 4 is a rear elevation view of the carton of FIG. 1.  
FIG. 5 is a top plan view of the carton of FIG. 1.  
FIG. 6 is a bottom plan view of the carton of FIG. 1.  
FIG. 7 is a perspective view of the carton of FIG. 1 shown in an open configuration; and,  
FIG. 8 is a plan view of the carton of FIG. 1 shown in an unfolded configuration.  
All evenly-spaced broken lines depict environmental subject matter and do not form part of the claimed design.

**1 Claim, 8 Drawing Sheets**

(56) **References Cited**  
U.S. PATENT DOCUMENTS

- 3,447,672 A \* 6/1969 Bailey ..... B65D 5/2019 206/511
- 5,427,241 A 6/1995 Sutherland
- 5,458,234 A 10/1995 Harris
- 5,485,915 A 1/1996 Harris
- 5,495,727 A 3/1996 Strong et al.
- 5,503,324 A 4/1996 Bacchetti et al.
- 5,524,756 A 6/1996 Sutherland
- 5,551,556 A 9/1996 Sutherland



(56)

References Cited

U.S. PATENT DOCUMENTS

5,669,500 A 9/1997 Sutherland  
 5,699,957 A 12/1997 Blin et al.  
 5,704,470 A 1/1998 Sutherland  
 5,738,273 A 4/1998 Auclair  
 D394,385 S 5/1998 Laughlin  
 5,794,778 A 8/1998 Harris  
 5,826,782 A 10/1998 Stout  
 5,873,515 A 2/1999 Dunn et al.  
 5,878,946 A 3/1999 Frerot et al.  
 5,915,546 A 6/1999 Harrelson  
 5,992,733 A 11/1999 Gomes  
 5,996,883 A 12/1999 Bates  
 6,019,276 A 2/2000 Auclair  
 6,065,590 A 5/2000 Spivey  
 6,105,853 A 8/2000 Lamare  
 6,105,854 A 8/2000 Spivey et al.  
 6,131,803 A 10/2000 Oliff et al.  
 6,164,526 A 12/2000 Dalvey  
 D436,315 S \* 1/2001 Bentolila ..... D9/430  
 6,170,741 B1 1/2001 Skolik et al.  
 6,227,367 B1 5/2001 Harrelson et al.  
 6,237,839 B1 5/2001 Brown  
 6,241,083 B1 6/2001 Harrelson  
 6,260,755 B1 7/2001 Bates et al.  
 6,302,320 B1 10/2001 Stout  
 6,425,520 B1 7/2002 Peterson  
 6,523,739 B2 2/2003 Heeley et al.  
 6,536,656 B2 3/2003 Auclair et al.  
 6,598,784 B2 7/2003 LaBras et al.  
 6,631,803 B2 10/2003 Rhodes et al.  
 6,758,337 B2 7/2004 Chargueraud et al.  
 D496,265 S 9/2004 Dossett  
 6,848,573 B2 2/2005 Gould et al.  
 6,905,066 B2 6/2005 Holley, Jr. et al.  
 6,926,193 B2 8/2005 Smalley  
 7,007,836 B2 3/2006 Smalley  
 D534,071 S \* 12/2006 Hoff ..... D9/430  
 7,427,010 B2 9/2008 Sutherland  
 7,472,791 B2 1/2009 Spivey, Sr.  
 D590,257 S \* 4/2009 Matsumoto ..... D9/457  
 7,617,969 B2 11/2009 Oliveira  
 7,743,968 B2 6/2010 Theelen  
 7,748,603 B2 7/2010 Fogle et al.  
 7,757,933 B2 7/2010 Dunn  
 7,806,314 B2 10/2010 Sutherland  
 D668,965 S \* 10/2012 Crawford ..... D9/711  
 8,439,253 B2 5/2013 Requena et al.  
 D693,242 S \* 11/2013 Birchmeier ..... D9/711  
 D694,125 S \* 11/2013 Holsmer ..... D9/753  
 D703,527 S 4/2014 Fuller  
 8,740,050 B2 6/2014 Zinck et al.  
 D709,953 S \* 7/2014 Williams ..... D20/22  
 D710,213 S \* 8/2014 Birchmeier ..... D9/711  
 D711,218 S 8/2014 Jacobs  
 D723,022 S 2/2015 Miles  
 D730,748 S \* 6/2015 Varavarna ..... D9/753  
 9,211,971 B2 12/2015 Fogle et al.  
 D760,598 S 7/2016 White  
 D764,281 S \* 8/2016 Mayer ..... D9/420  
 D798,707 S \* 10/2017 Mayer ..... D9/431  
 D798,736 S \* 10/2017 Shoshan ..... D9/711  
 D798,737 S 10/2017 Miller  
 D809,911 S 2/2018 Moskovich  
 D826,706 S 8/2018 Moskovich  
 D828,766 S 9/2018 Latour  
 D828,768 S 9/2018 Lebeau

D833,860 S 11/2018 Lee  
 D833,865 S \* 11/2018 Petty ..... D9/431  
 D839,729 S \* 2/2019 Oliveira ..... D9/443  
 2001/0017314 A1 8/2001 Boukredine et al.  
 2003/0213263 A1 11/2003 Woog  
 2004/0074954 A1 4/2004 Fogle et al.  
 2005/0056658 A1 3/2005 Spivey  
 2005/0167478 A1 8/2005 Holley, Jr.  
 2006/0169755 A1 8/2006 Spivey  
 2006/0273143 A1 12/2006 Finch  
 2007/0039846 A1 2/2007 Spivey  
 2007/0051781 A1 3/2007 Holley  
 2007/0108261 A1 5/2007 Schuster  
 2007/0164091 A1 7/2007 Fogle et al.  
 2007/0205255 A1 9/2007 Dunn  
 2007/0295789 A1 12/2007 Ho Fung  
 2008/0067223 A1 3/2008 Jego  
 2009/0014508 A1 1/2009 Marie  
 2009/0090708 A1 4/2009 Requena  
 2009/0236408 A1 9/2009 Spivey, Sr. et al.

FOREIGN PATENT DOCUMENTS

CH	536 757	5/1973
DE	85 14 718	6/1985
DE	93 13 241	12/1993
DE	296 07 374	7/1996
DE	201 12 228	11/2002
DE	20 2004 018 649	5/2005
EP	0 473 266	3/1992
EP	0 500 258	8/1992
EP	1 381 545	1/2004
EP	1 612 157	1/2006
FR	2 481 231	10/1981
FR	2 662 141	11/1991
GB	2 206 565	1/1989
JP	2004-521032	7/2004
KR	10-0785977	12/2007
OA	128	1/1966
WO	WO 81 00090	1/1981
WO	WO 95/11165	4/1995
WO	WO 96/20874	7/1996
WO	WO 96/21604	7/1996
WO	WO 96/27538	9/1996
WO	WO 99/28207	6/1999
WO	WO 00/78618	12/2000
WO	WO 01/66434	9/2001
WO	WO 02/47990	6/2002
WO	WO 02/085739	10/2002
WO	WO 03/037742	5/2003
WO	WO 2005/080218	9/2005
WO	WO 2005/123532	12/2005
WO	WO 2007/089282	8/2007

OTHER PUBLICATIONS

Cowberry Crossing Farm Egg Packaging on Behance. [online] Published Dec. 8, 2016. Retrieved Feb. 4, 2019 from URL: <https://www.behance.net/gallery/22325357/Cowberry-Crossing-Farm-Egg-Packaging>.  
 Unique packaging for apples. [online] Published Nov. 11, 2014. Retrieved Feb. 4, 2019 from URL: <https://www.freshplaza.com/article/130798/Unique-packaging-for-apples/>.  
 Efficient Fruit Packaging fruit packaging. [online] Published Jul. 10, 2014. Retrieved Feb. 4, 2019 from URL: <https://www.trendhunter.com/trends/fruit-packaging>.

\* cited by examiner

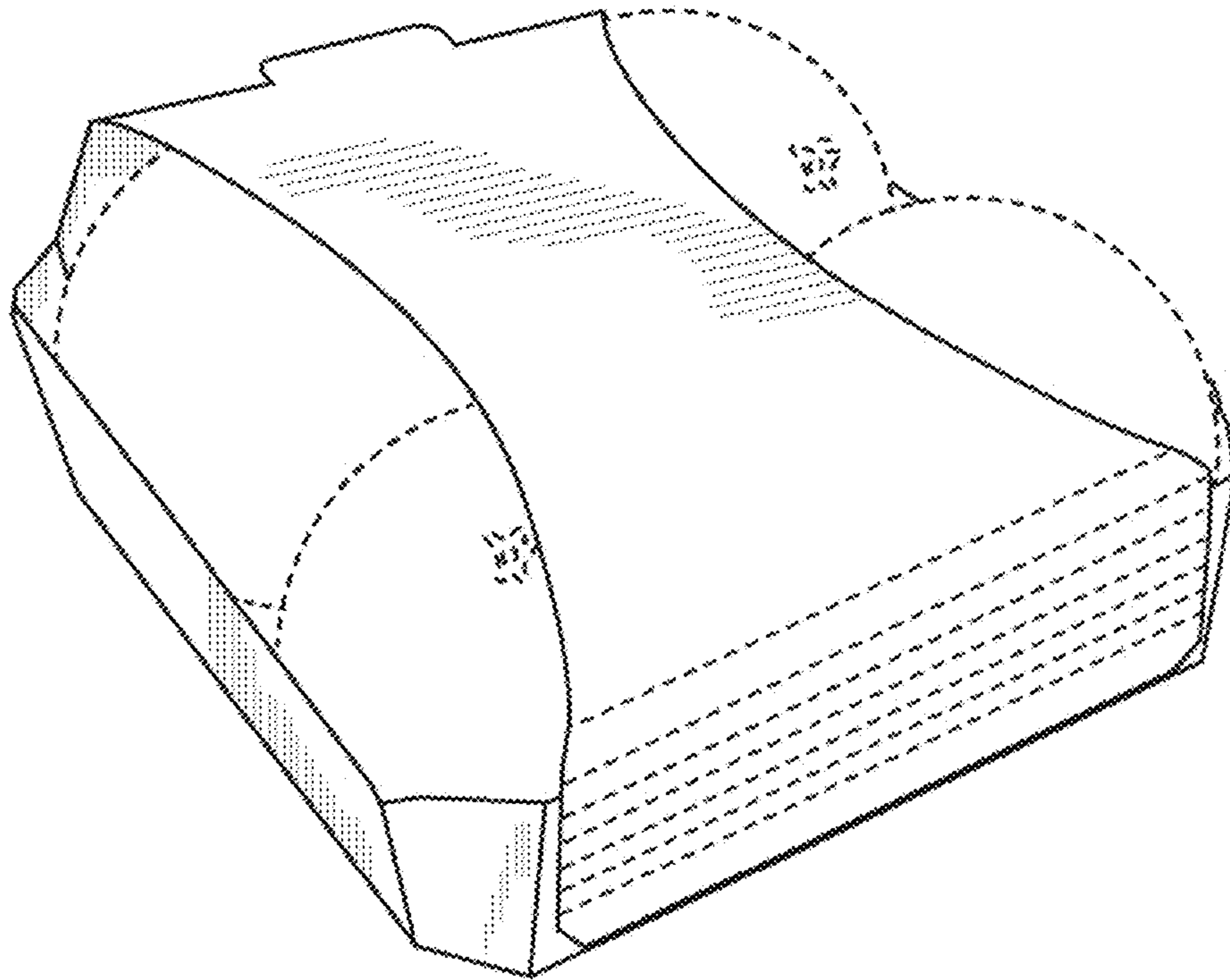


FIG. 1



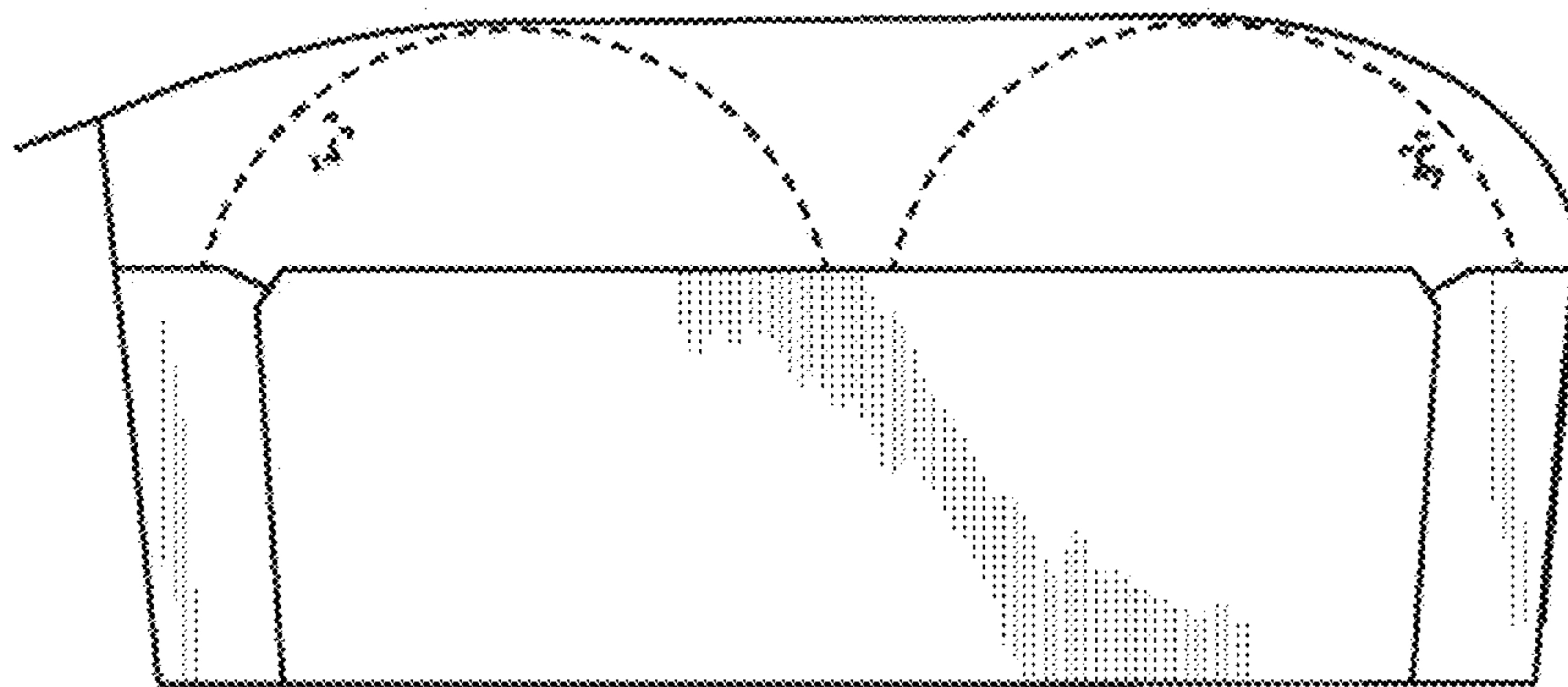


FIG. 2

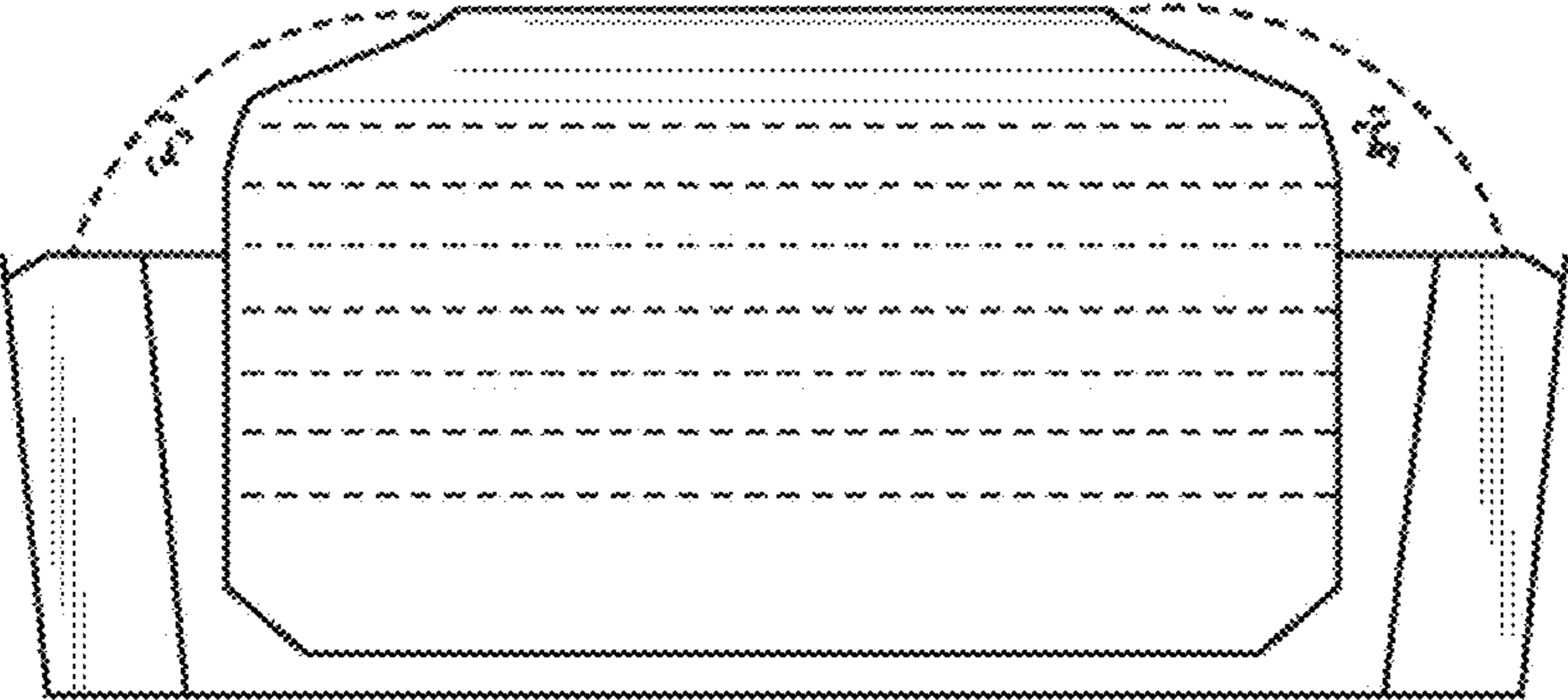


FIG. 3

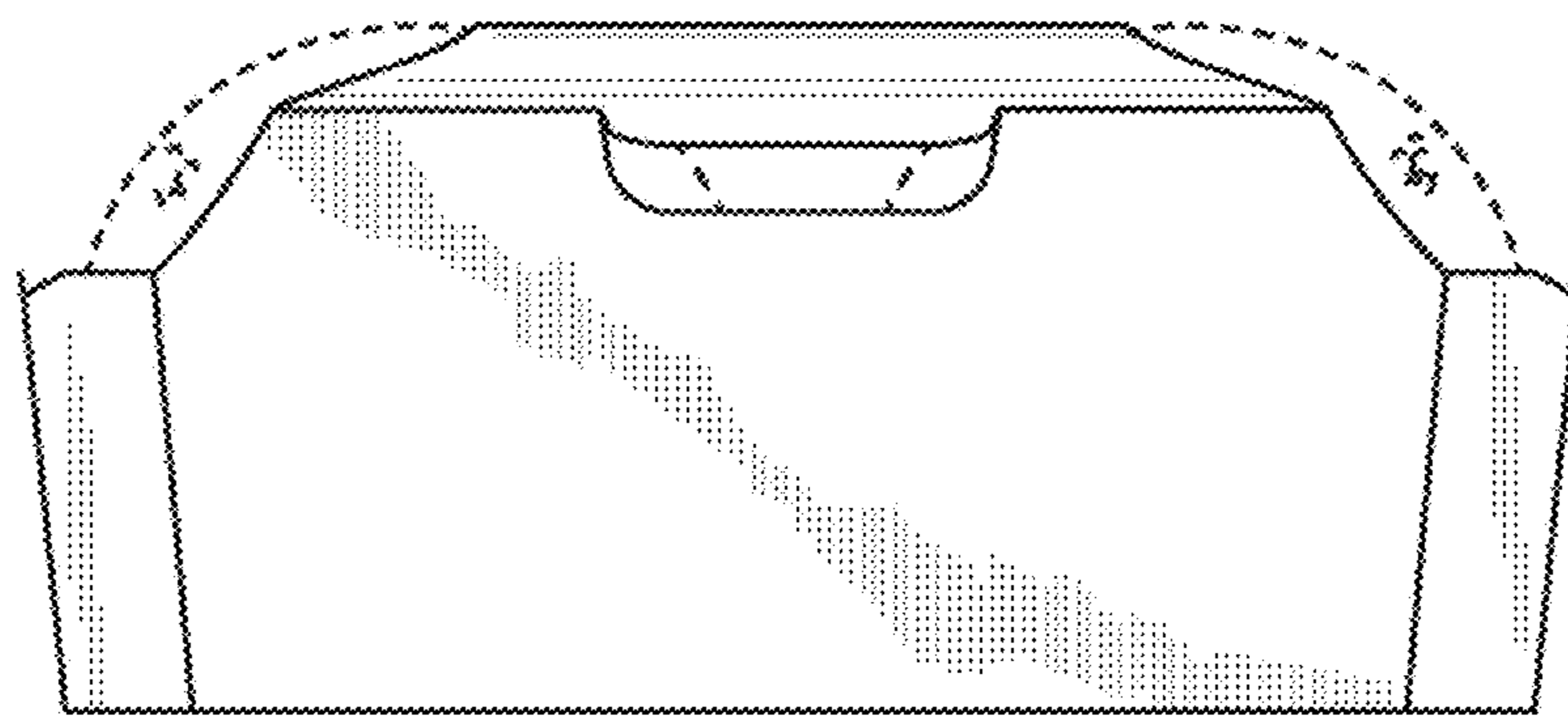


FIG. 4

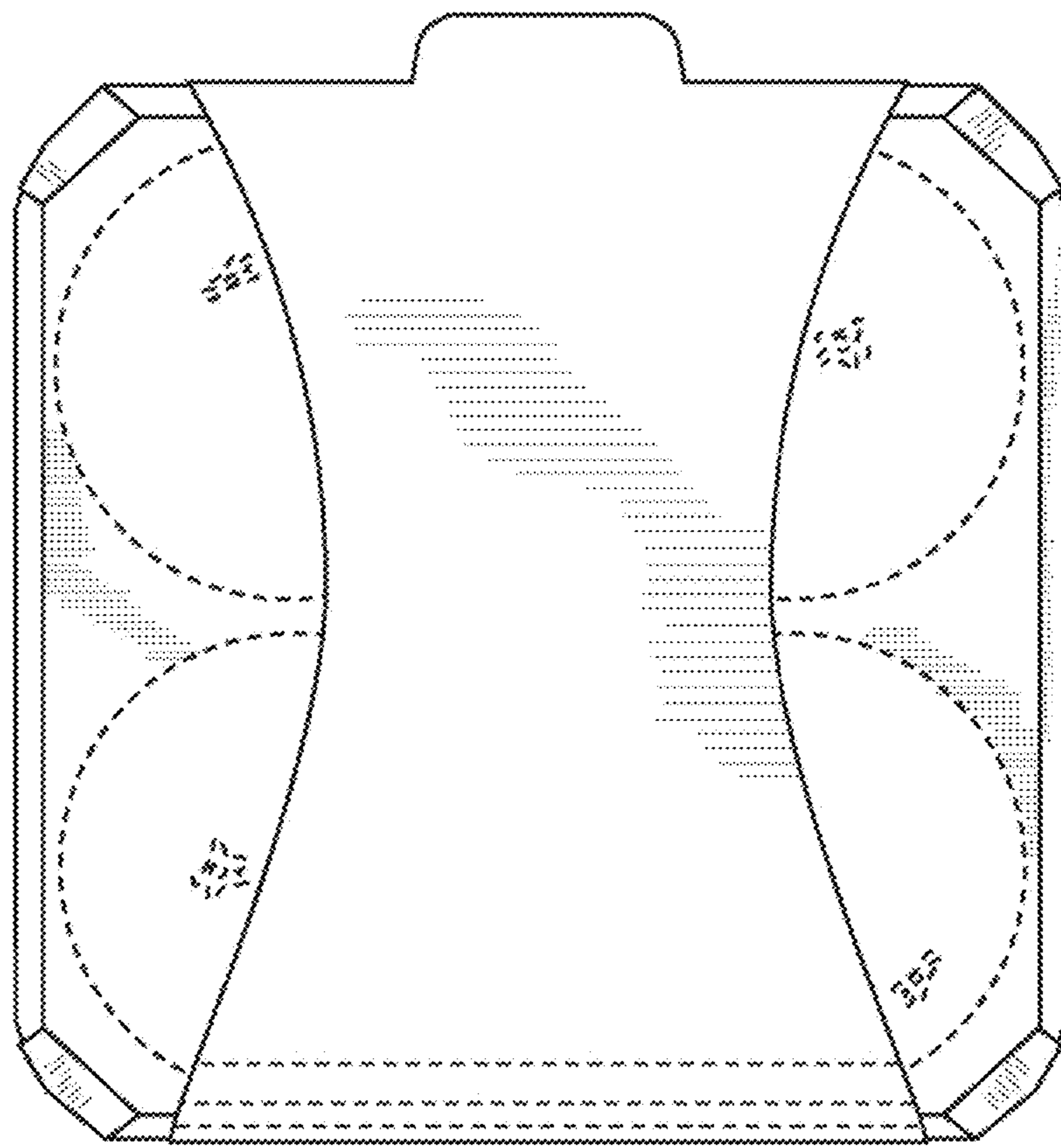


FIG. 5

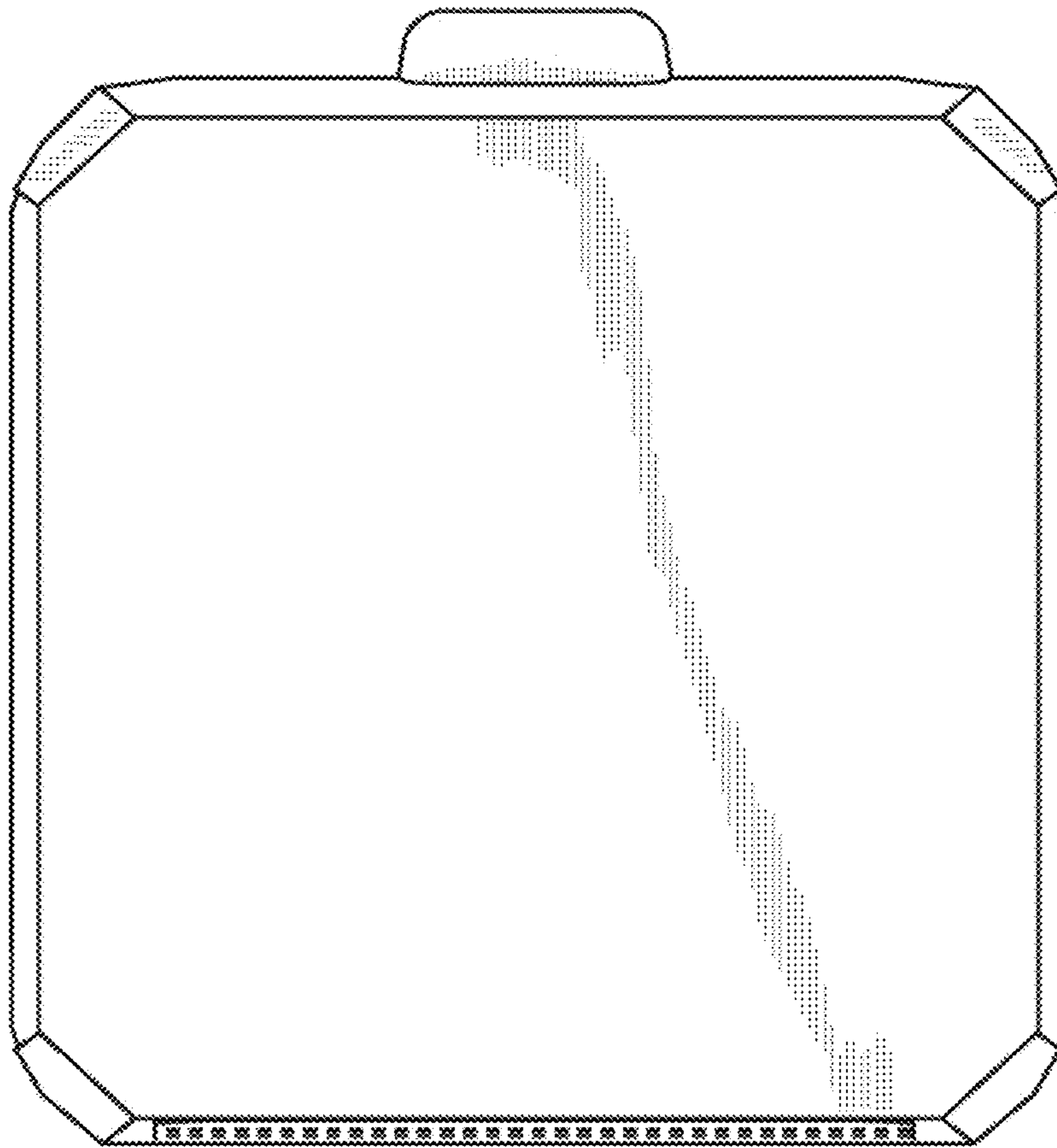


FIG. 6



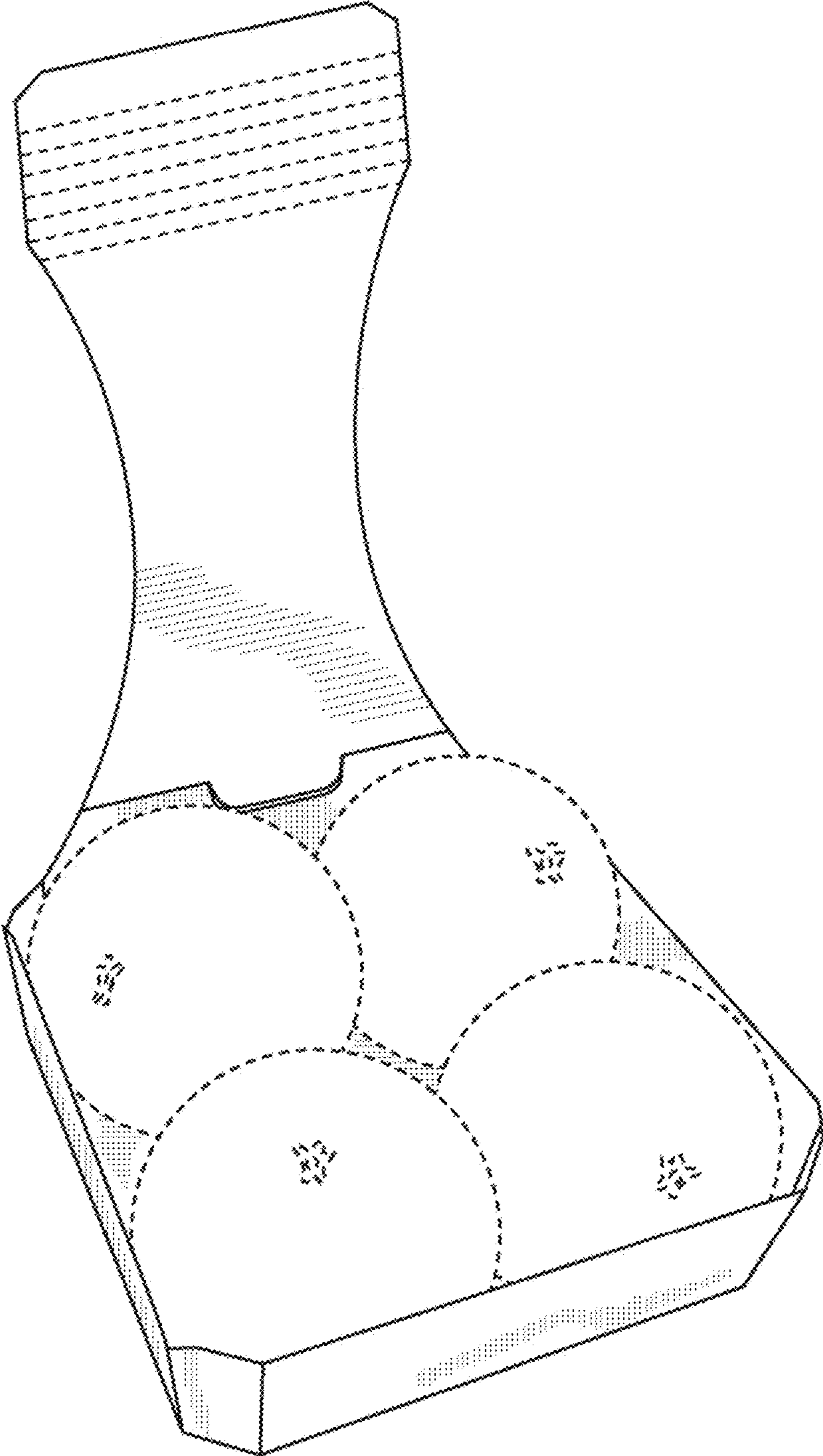


FIG. 7

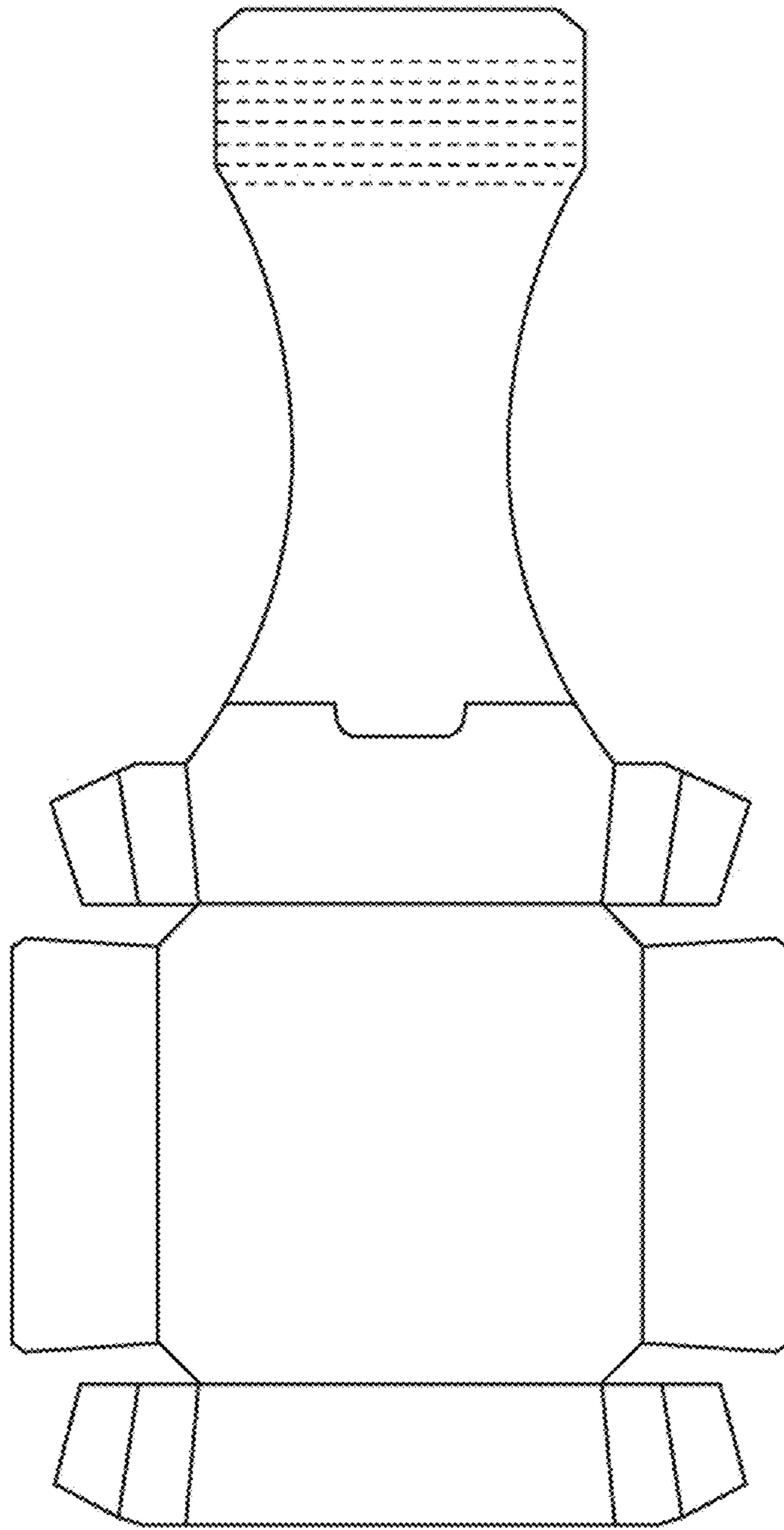


FIG. 8