



US00D858267S

(12) **United States Design Patent**
Malec

(10) **Patent No.:** **US D858,267 S**

(45) **Date of Patent:** **** Sep. 3, 2019**

- (54) **SNOW GUARD**
- (71) Applicant: **LONDON ECO-METAL MANUFACTURING INC.,** Dorchester (CA)
- (72) Inventor: **Zbigniew Malec,** Dorchester (CA)
- (73) Assignee: **London Eco-Metal Manufacturing Inc.,** Dorchester, Ontario (CA)

- 5,564,758 A * 10/1996 Tiberio F16L 23/14 285/405
- 5,669,184 A * 9/1997 Anderson E04D 13/10 52/24
- D434,638 S * 12/2000 McLauchlan D8/354
- D537,336 S * 2/2007 Fisher D8/499
- D669,163 S * 10/2012 Gass D23/393
- 8,652,609 B2 * 2/2014 Gass F24F 13/0209 285/405
- D714,134 S * 9/2014 Clisset D8/499

(**) Term: **15 Years**

(21) Appl. No.: **29/576,369**

(22) Filed: **Sep. 2, 2016**

(30) **Foreign Application Priority Data**

Aug. 4, 2016 (CA) 169755

(51) **LOC (12) Cl.** **08-99**

(52) **U.S. Cl.**
USPC **D8/499**

(58) **Field of Classification Search**
USPC D8/98, 343, 349, 354, 356, 396, 400, D8/499; 52/24, 26, 545, 747.1; D25/48.8, 56

CPC E04D 13/10; E04D 13/106; E04D 13/103; C25D 13/00; C25D 13/06; C25D 13/12
See application file for complete search history.

(56) **References Cited**

U.S. PATENT DOCUMENTS

- 302,429 A * 7/1884 Rogers E04D 13/10 52/24
- D29,333 S * 9/1898 Seymour D8/315
- D193,353 S * 8/1962 Daniels D8/499
- D231,430 S * 4/1974 Steinhauser D25/48.8
- 4,572,553 A * 2/1986 Geldner F16L 23/14 285/363

FOREIGN PATENT DOCUMENTS

- JP 10102702 A * 4/1998
- JP 10102703 A * 4/1998

(Continued)

OTHER PUBLICATIONS

Snow Guard, London Eco-Metal, posted at www.londonecometal.com, date not listed © 2017 London Eco-Metal, online, site visited Aug. 28, 2017. Available from Internet, URL: <https://www.londonecometal.com/metal-roof-products.htm> (Year: 0000).*

Primary Examiner — Shannon W Morgan
Assistant Examiner — Altaira J Swangin

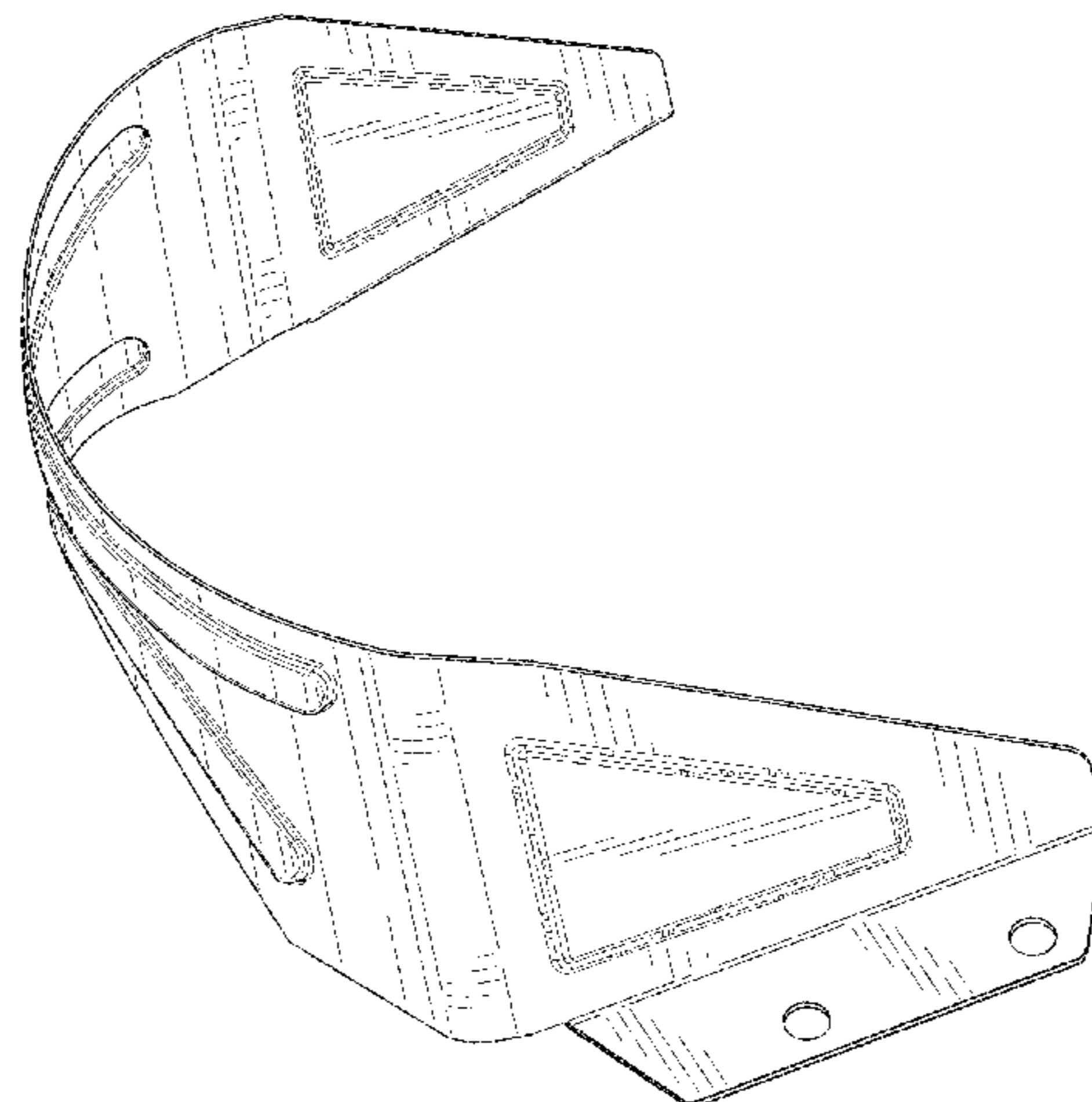
(57) **CLAIM**

The ornamental design for a snow guard, as shown.

DESCRIPTION

FIG. 1 is a top right perspective view of a snow guard;
FIG. 2 is a bottom left perspective view of the snow guard;
FIG. 3 is a left-side view of the snow guard;
FIG. 4 is a right-side view of the snow guard;
FIG. 5 is a front view of the snow guard;
FIG. 6 is a rear view of the snow guard;
FIG. 7 is a top view of the snow guard; and,
FIG. 8 is a bottom view of the snow guard.

1 Claim, 6 Drawing Sheets



(56)

References Cited

U.S. PATENT DOCUMENTS

9,243,410 B1 * 1/2016 Garber E04D 13/10
D756,213 S * 5/2016 Fisher D8/499
D769,112 S * 10/2016 Garber D8/499
D773,918 S * 12/2016 Spencer D8/313
D796,938 S * 9/2017 Rago D8/354
D825,317 S * 8/2018 Klein D8/354
D837,633 S * 1/2019 Allen D8/354
D842,684 S * 3/2019 House D8/354
D846,369 S * 4/2019 Ni D8/354
D846,370 S * 4/2019 Ni D8/354
D847,607 S * 5/2019 Granberg D8/349
D847,609 S * 5/2019 Ng D8/354
2017/0145695 A1 * 5/2017 Piltch E04D 1/18

FOREIGN PATENT DOCUMENTS

JP 10102704 A * 4/1998
JP 10102705 A * 4/1998
JP 10102706 A * 4/1998
JP 2001040841 A * 2/2001
JP 2009114812 A * 5/2009

* cited by examiner

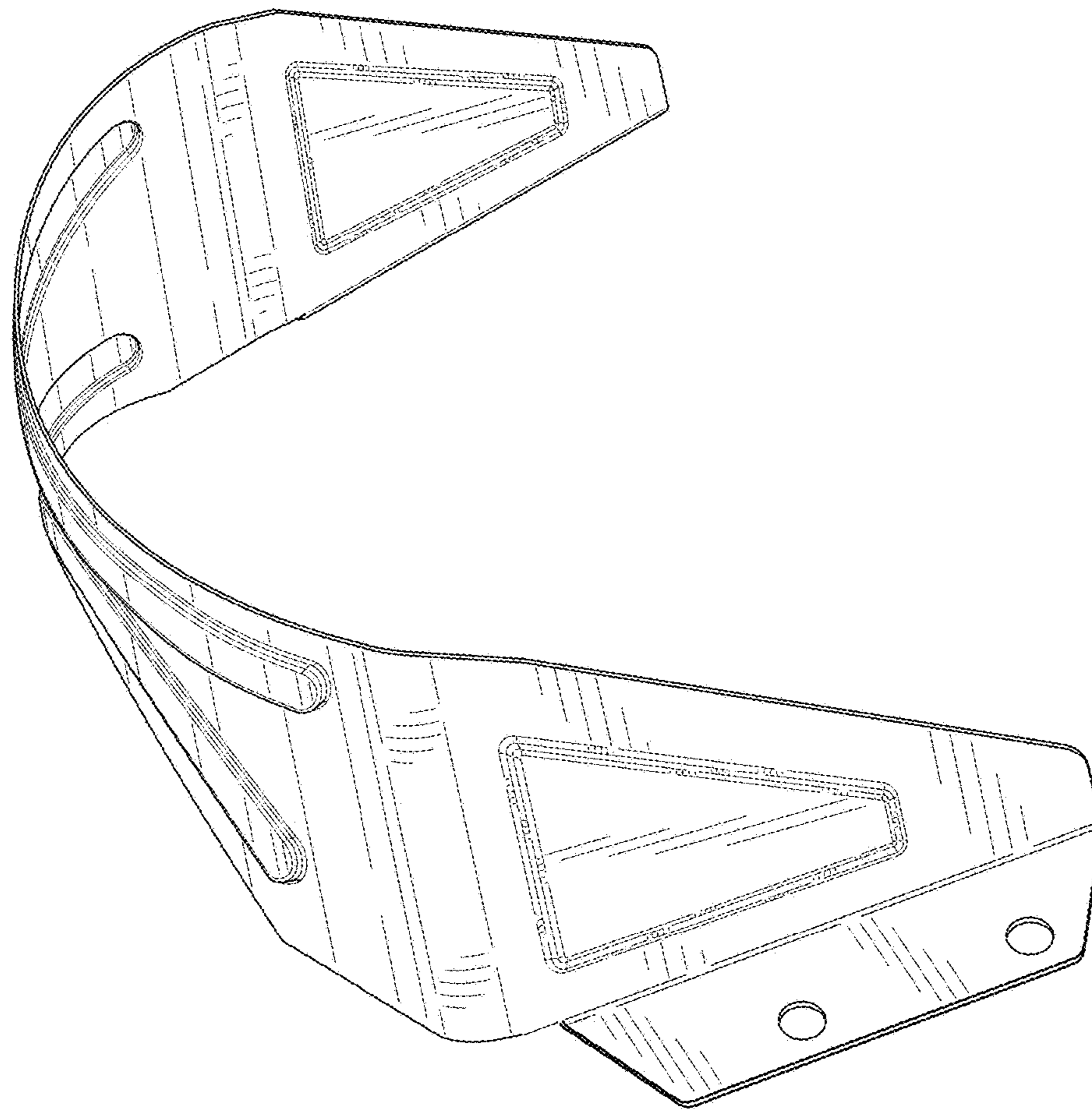


FIG. 1

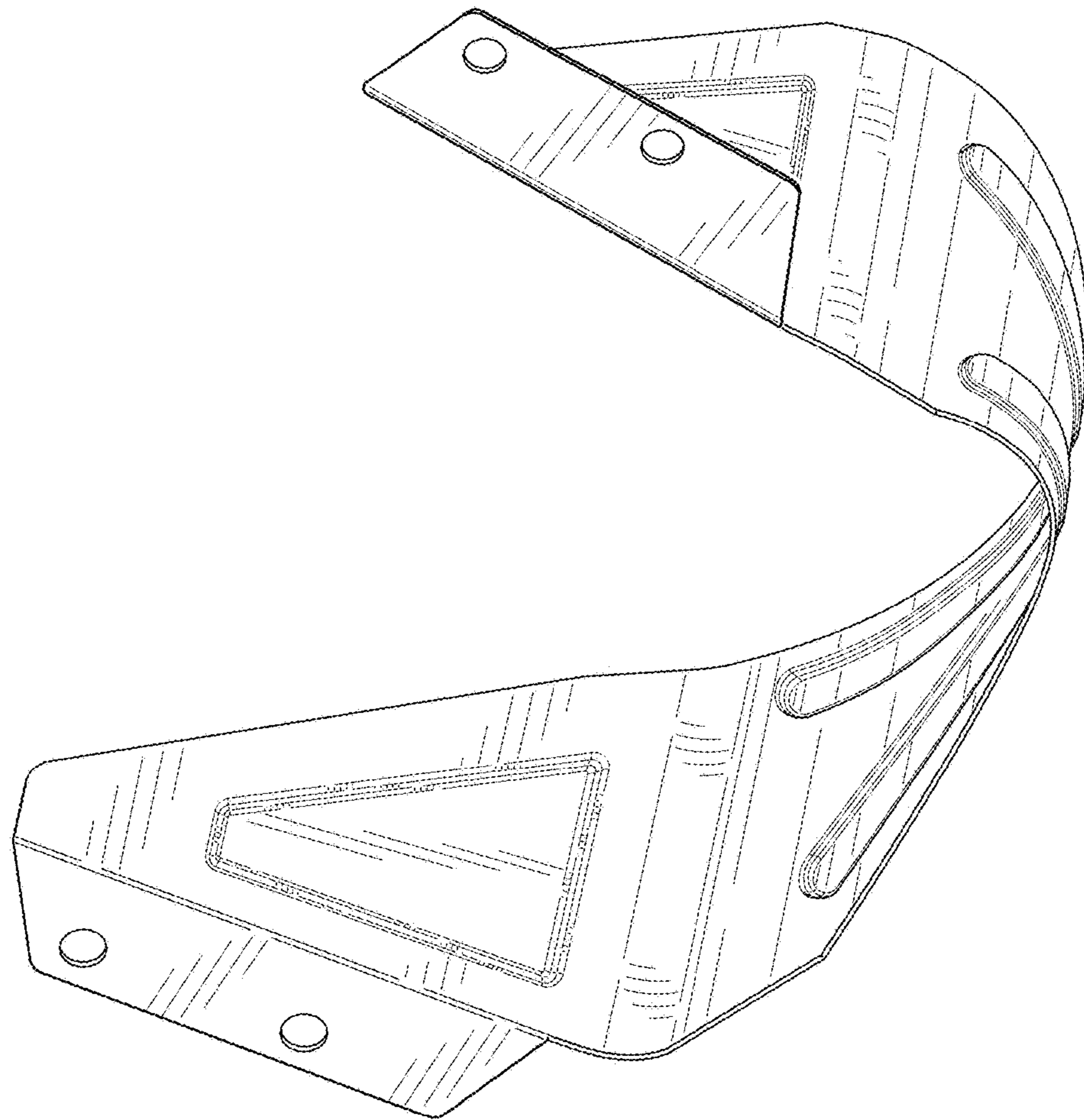


FIG. 2

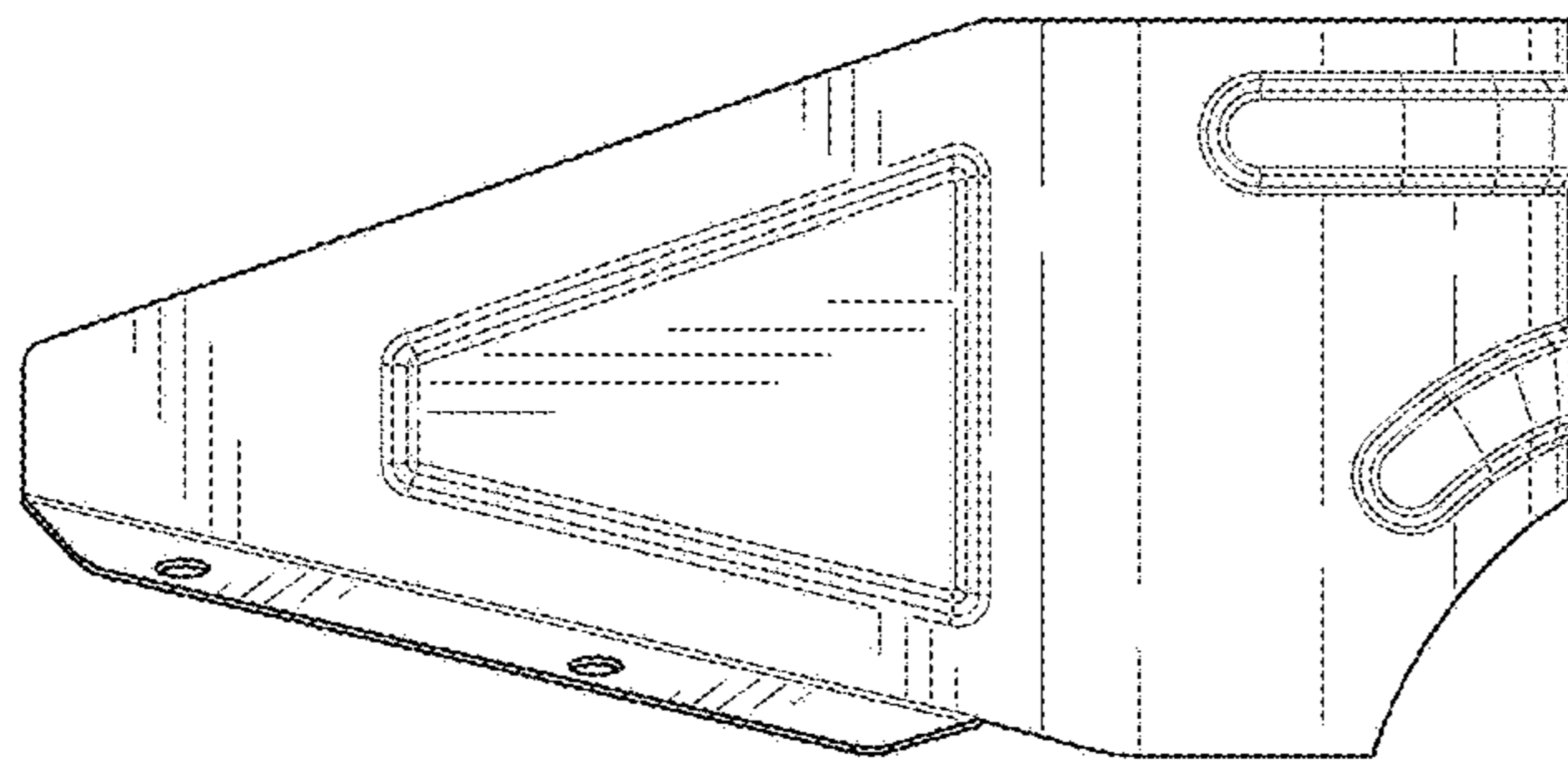


FIG. 3

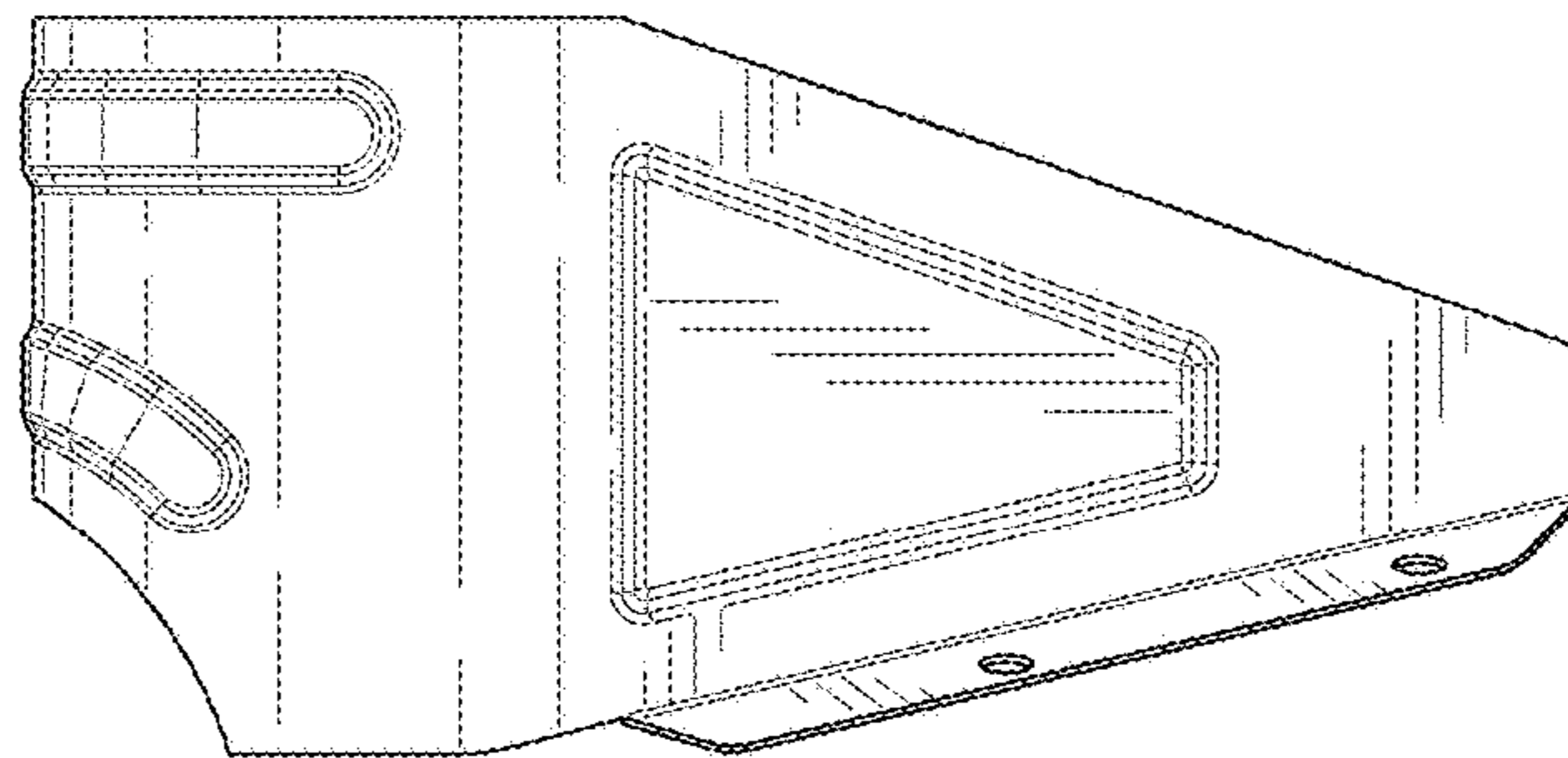


FIG. 4

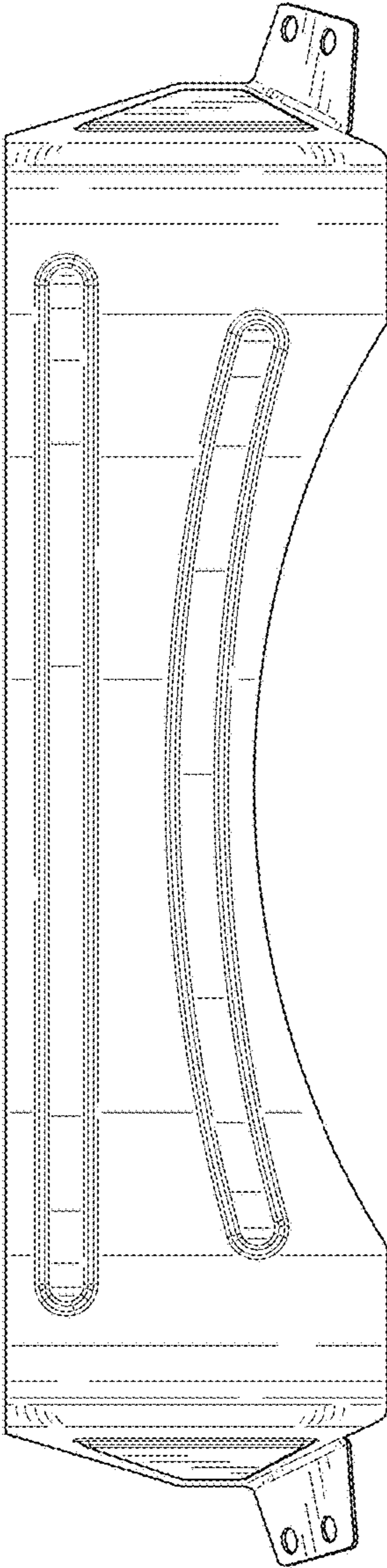


FIG. 5

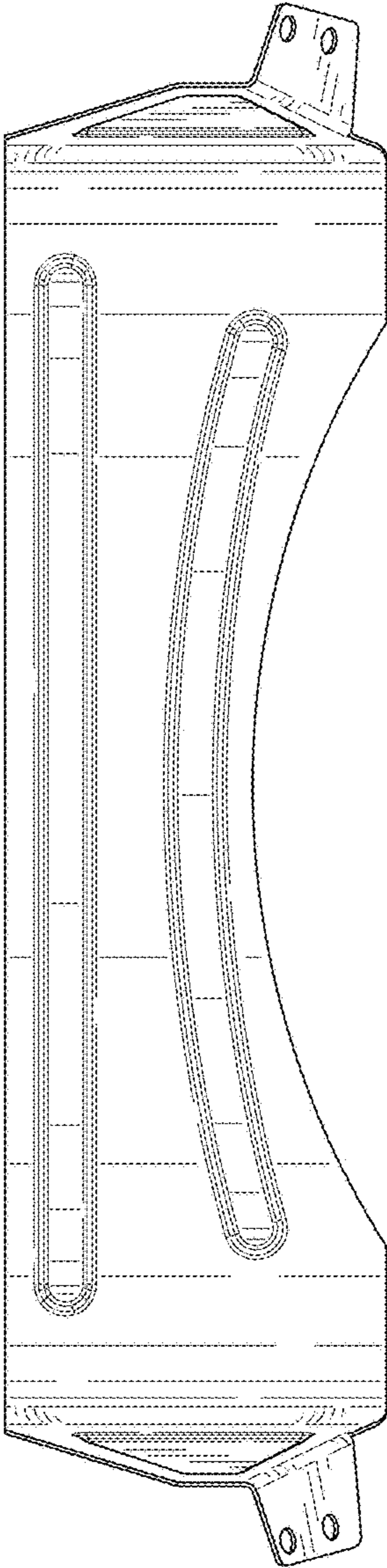


FIG. 6

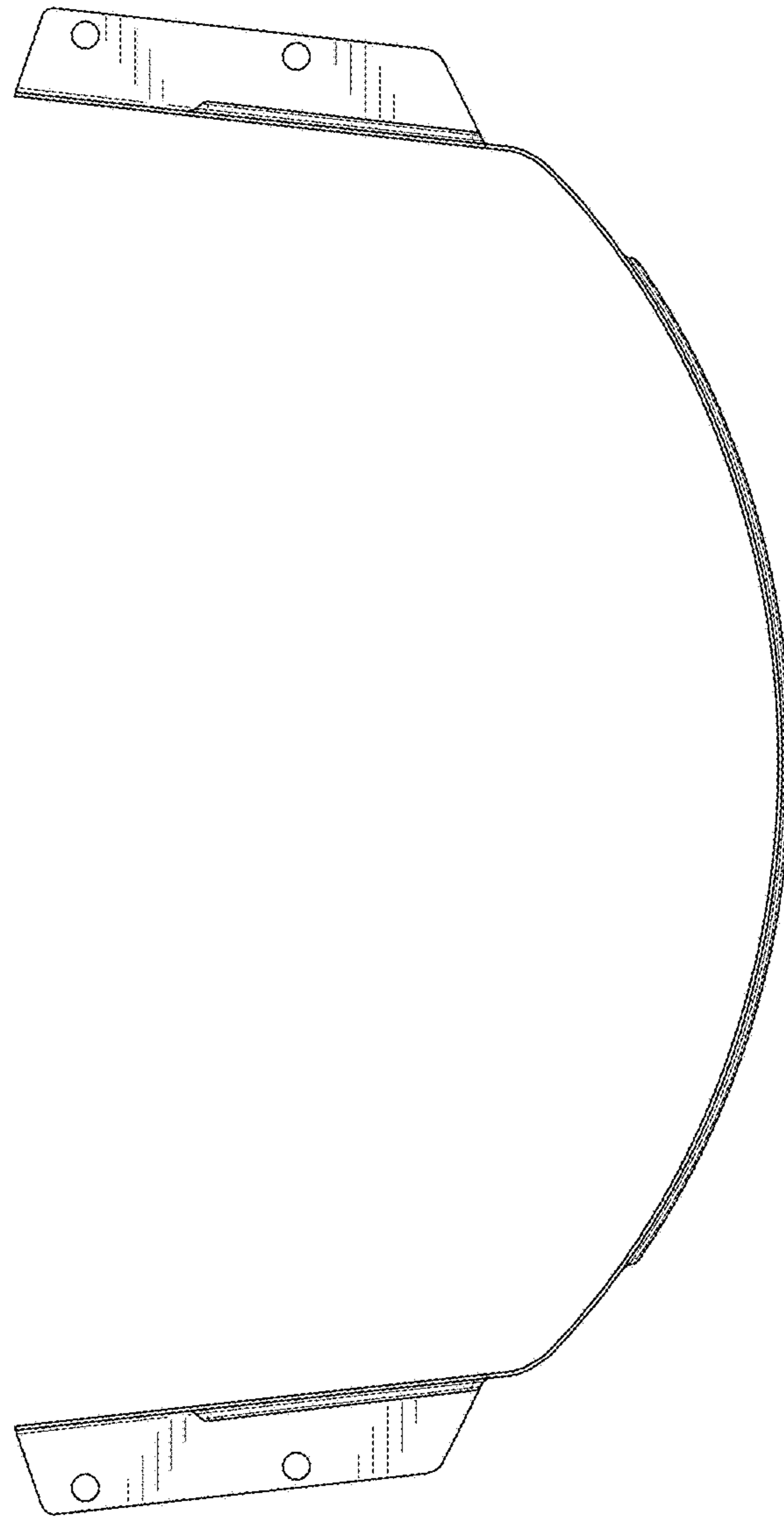


FIG. 7

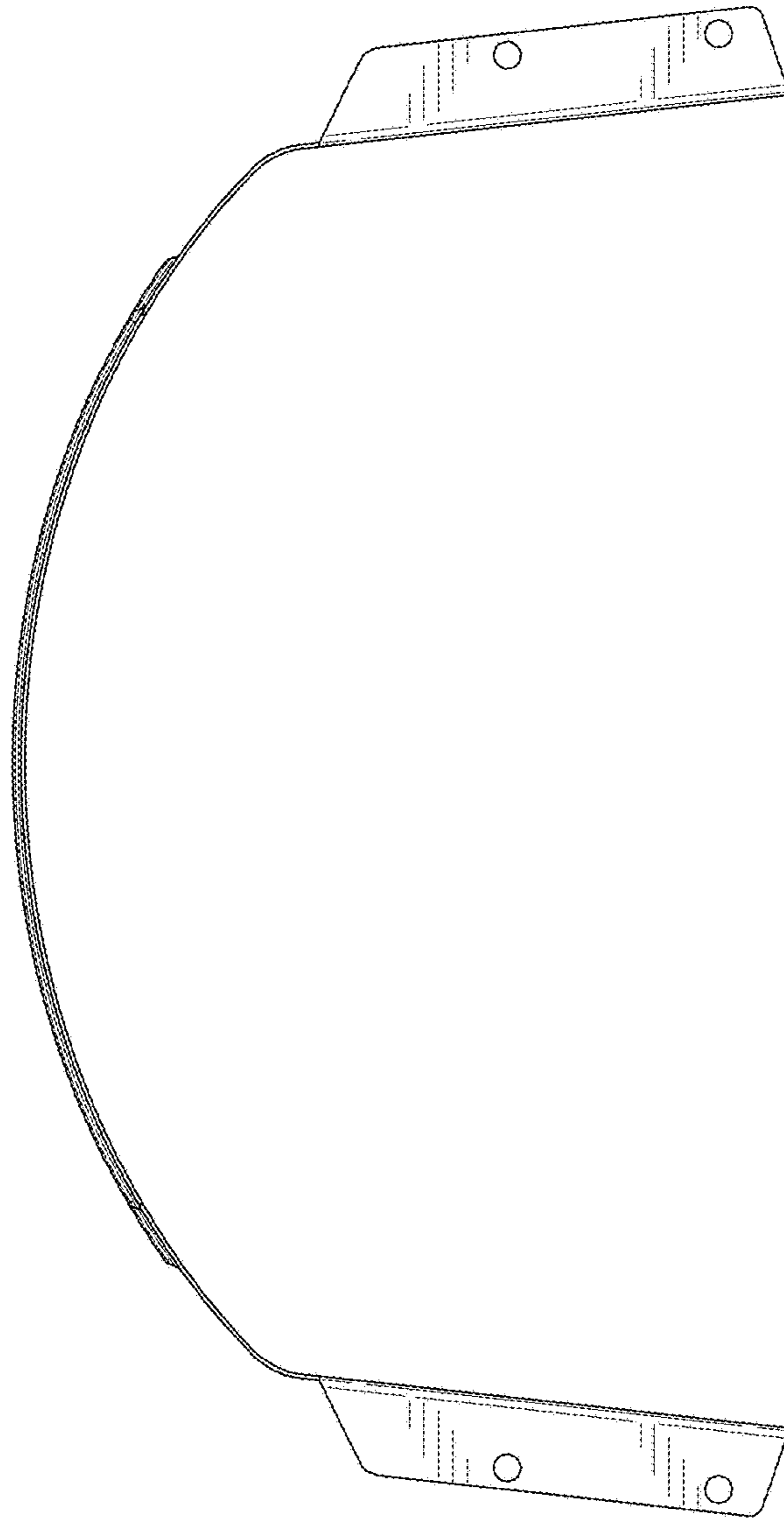


FIG. 8