



US00D858265S

(12) **United States Design Patent** (10) **Patent No.:** **US D858,265 S**
Tenander et al. (45) **Date of Patent:** **** *Sep. 3, 2019**

(54) **TUBING CLAMP**
(71) Applicant: **GE Healthcare Bio-Sciences Corp.**,
Marlborough, MA (US)
(72) Inventors: **Eric Tenander**, Westborough, MA
(US); **Ethan Michael Barrieau**,
Marlborough, MA (US); **Ralph**
Stankowski, Westborough, MA (US)
(73) Assignee: **GE Healthcare Bio-Sciences Corp.**,
Marlborough, MA (US)
(*) Notice: This patent is subject to a terminal dis-
claimer.
(**) Term: **15 Years**
(21) Appl. No.: **29/612,248**
(22) Filed: **Jul. 31, 2017**
(51) **LOC (12) Cl.** **08-08**
(52) **U.S. Cl.**
USPC **D8/394**
(58) **Field of Classification Search**
USPC D8/349, 382, 394, 395, 396
CPC . F16L 17/00; F16L 17/04; F16L 21/06; F16L
21/08; F16L 23/00; F16L 23/08; F16L
23/036; F16L 3/13; F16L 33/04; F16L
33/06; F16L 33/08
See application file for complete search history.

(56) **References Cited**
U.S. PATENT DOCUMENTS
4,186,947 A * 2/1980 Nixon F16L 17/04
285/112
D309,094 S * 7/1990 Donis D23/265
D318,123 S * 7/1991 Yokoyama D24/129
5,359,866 A * 11/1994 Boddy F16B 2/10
24/270
5,620,210 A * 4/1997 Eyster F16L 21/06
24/625

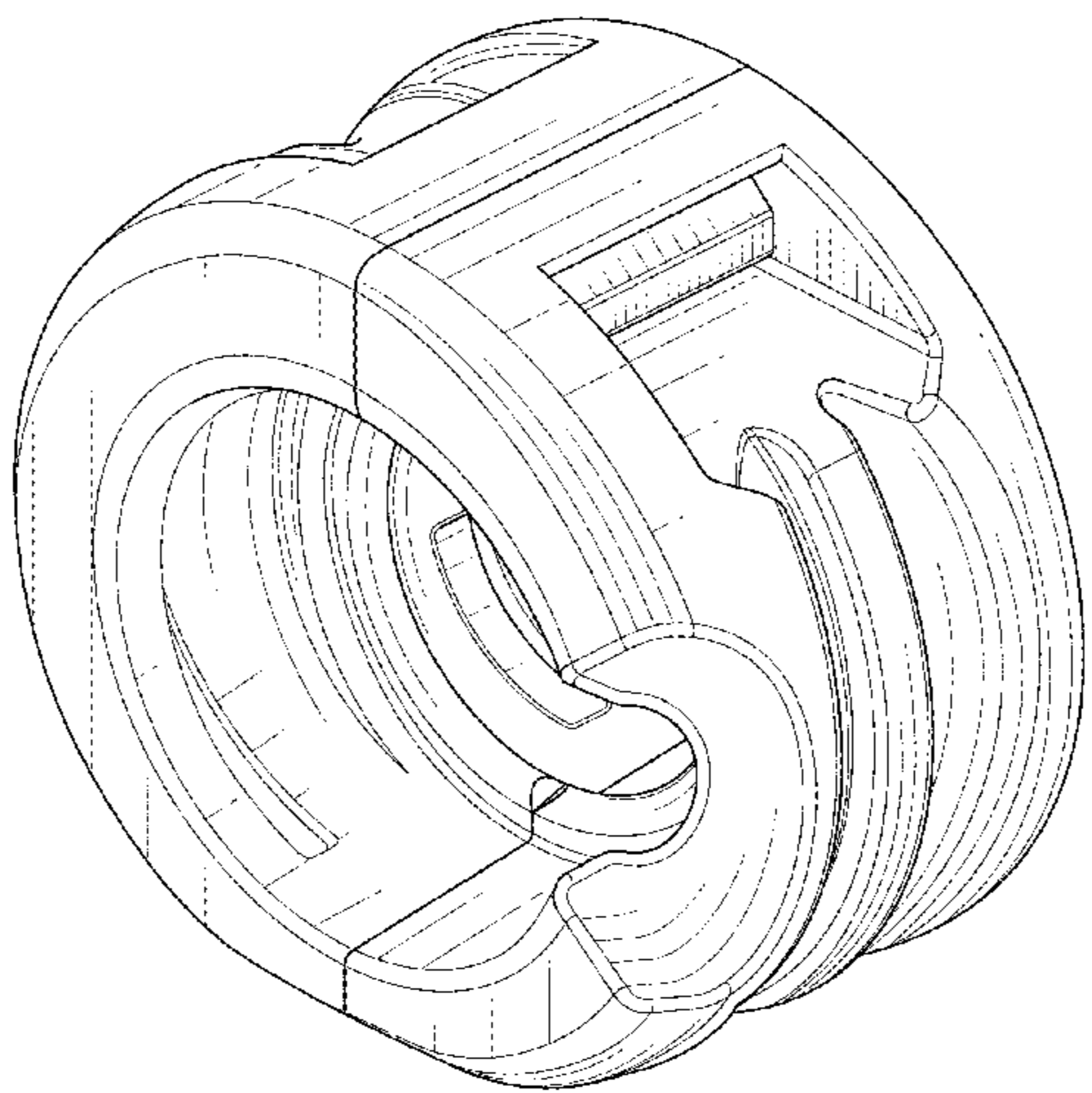
D414,405 S * 9/1999 Tompkins D8/396
6,170,884 B1 * 1/2001 McLennan F16L 17/04
285/112
6,227,577 B1 * 5/2001 Ikeda F16L 17/04
285/112
D494,847 S * 8/2004 Maniezzo D8/382
D570,458 S * 6/2008 Gibb D23/262
D574,228 S * 8/2008 Johansson D8/396
D577,423 S * 9/2008 Dole D23/265
D583,444 S * 12/2008 Nagle D23/262
(Continued)

Primary Examiner — John Windmuller
Assistant Examiner — Steven J Czyz
(74) *Attorney, Agent, or Firm* — Eversheds Sutherland
(US) LLP

(57) **CLAIM**
The ornamental design for a tubing clamp, as shown and
described.

DESCRIPTION
FIG. 1 is a front, right perspective view of a tubing clamp
shown in a closed configuration;
FIG. 2 is a rear, left perspective view thereof;
FIG. 3 is a front, left perspective view thereof;
FIG. 4 is a rear, right perspective view thereof;
FIG. 5 is a front, right perspective view of the tubing clamp
shown in an open configuration;
FIG. 6 is a rear, left perspective view thereof;
FIG. 7 is a front, left perspective view thereof; and,
FIG. 8 is a rear, right perspective view thereof.
The design is for a tubing clamp which comprises two ‘C’
shaped pieces each joined together at one side by a hinge,
and closeable together in use at their opposing ends, all
formed from an integral molding. The clamps, during clos-
ing, are intended to compressively clamp around flexible or
semi-flexible tubing (not shown and not part of the design),
which in turn can has a male insert within it (not shown and
not part of the design) to oppose the clamping force of the
tubing clamp illustrated herein.

1 Claim, 8 Drawing Sheets



(56)

References Cited

U.S. PATENT DOCUMENTS

D583,916 S * 12/2008 Madara D23/265
 D584,604 S * 1/2009 Baldwin D8/396
 D587,349 S * 2/2009 Madara D23/265
 D595,814 S * 7/2009 Pierce D23/262
 D597,635 S * 8/2009 Dole D23/262
 D598,076 S * 8/2009 Dole D23/262
 D598,077 S * 8/2009 Gibb D23/265
 D600,325 S * 9/2009 Porter D23/262
 D600,326 S * 9/2009 Gibb D23/265
 D602,127 S * 10/2009 Shah D23/262
 D608,868 S * 1/2010 Porter D23/262
 D608,869 S * 1/2010 Porter D23/262
 D608,872 S * 1/2010 Porter D23/262
 D609,312 S * 2/2010 Porter D23/262
 D616,532 S * 5/2010 Madara D23/262
 D618,312 S * 6/2010 Madara D23/262
 D618,314 S * 6/2010 Bowman D23/262
 D621,917 S * 8/2010 Madara D23/262
 D625,785 S * 10/2010 Madara D23/262
 D625,786 S * 10/2010 Bowman D23/262
 D626,202 S * 10/2010 Porter D23/262
 D629,072 S * 12/2010 Madara D23/262
 D629,074 S * 12/2010 Shah D23/262
 D629,076 S * 12/2010 Madara D23/262

D629,078 S * 12/2010 Dole D23/262
 D629,080 S * 12/2010 Dole D23/262
 D629,082 S * 12/2010 Dole D23/262
 D629,083 S * 12/2010 Dole D23/262
 D629,496 S * 12/2010 Madara D23/262
 D674,059 S * 1/2013 Cuvo D23/262
 D674,063 S * 1/2013 Wilk, Jr. D23/262
 D674,064 S * 1/2013 Dole D23/262
 D700,835 S * 3/2014 Langlois D8/396
 8,961,340 B2 * 2/2015 Boatwright A63B 59/0044
 473/568
 D735,025 S * 7/2015 Mathien D8/396
 9,074,715 B2 * 7/2015 Weger F16L 55/02
 9,518,667 B2 * 12/2016 Ramos F16K 7/063
 9,580,281 B2 * 2/2017 Foley B66C 1/44
 D813,025 S * 3/2018 Yesavage D8/395
 D813,657 S * 3/2018 Bowman D8/395
 D820,074 S * 6/2018 Huettemann D8/394
 D820,076 S * 6/2018 Ramirez D8/396
 10,074,913 B1 * 9/2018 Bussey H01R 4/2412
 2005/0242585 A1 * 11/2005 Dole B21D 17/04
 285/367
 2009/0146417 A1 * 6/2009 Lippka F16L 17/025
 285/112
 2010/0102549 A1 * 4/2010 Radzik F16L 17/04
 285/112

* cited by examiner

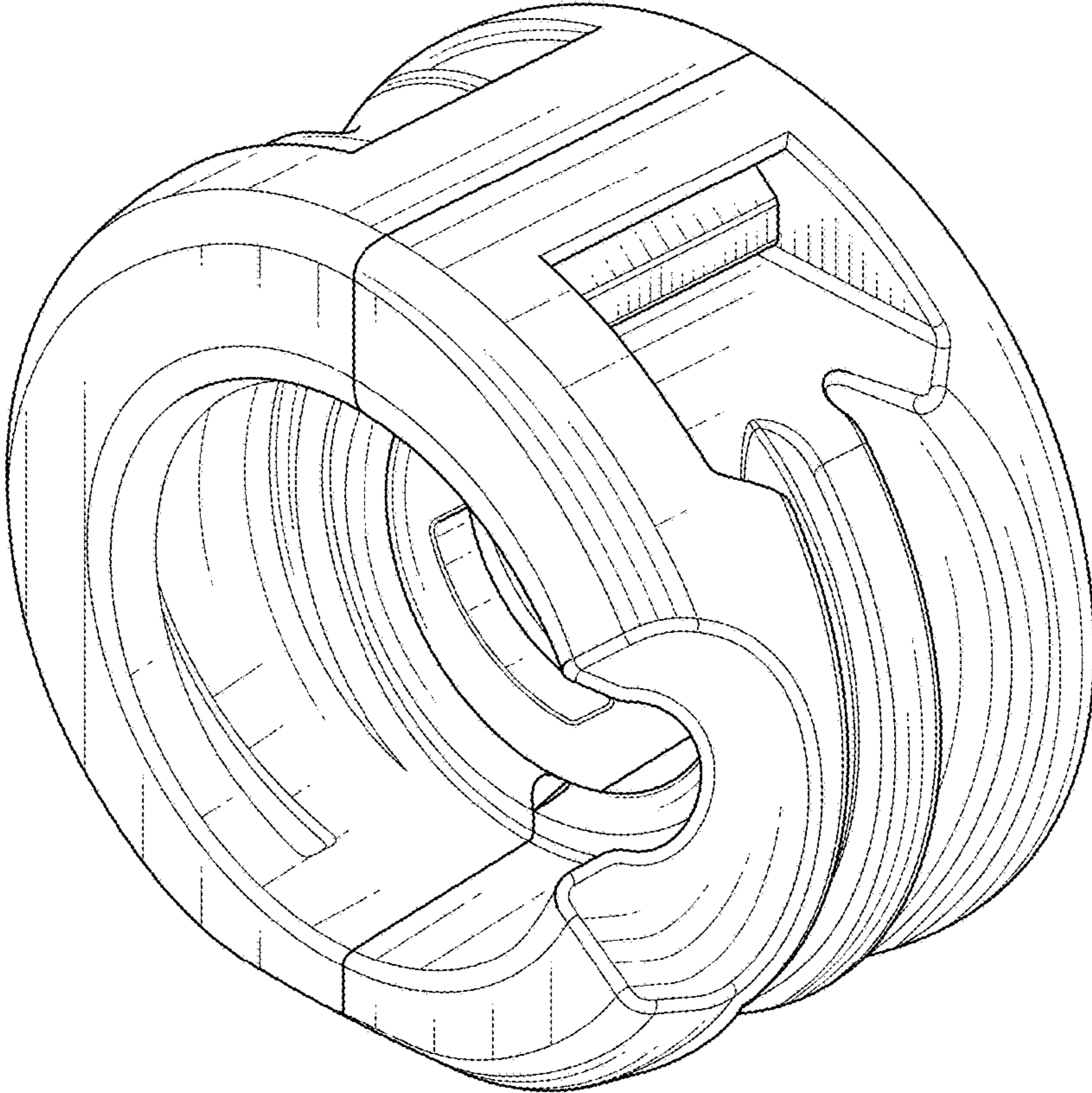


FIG. 1

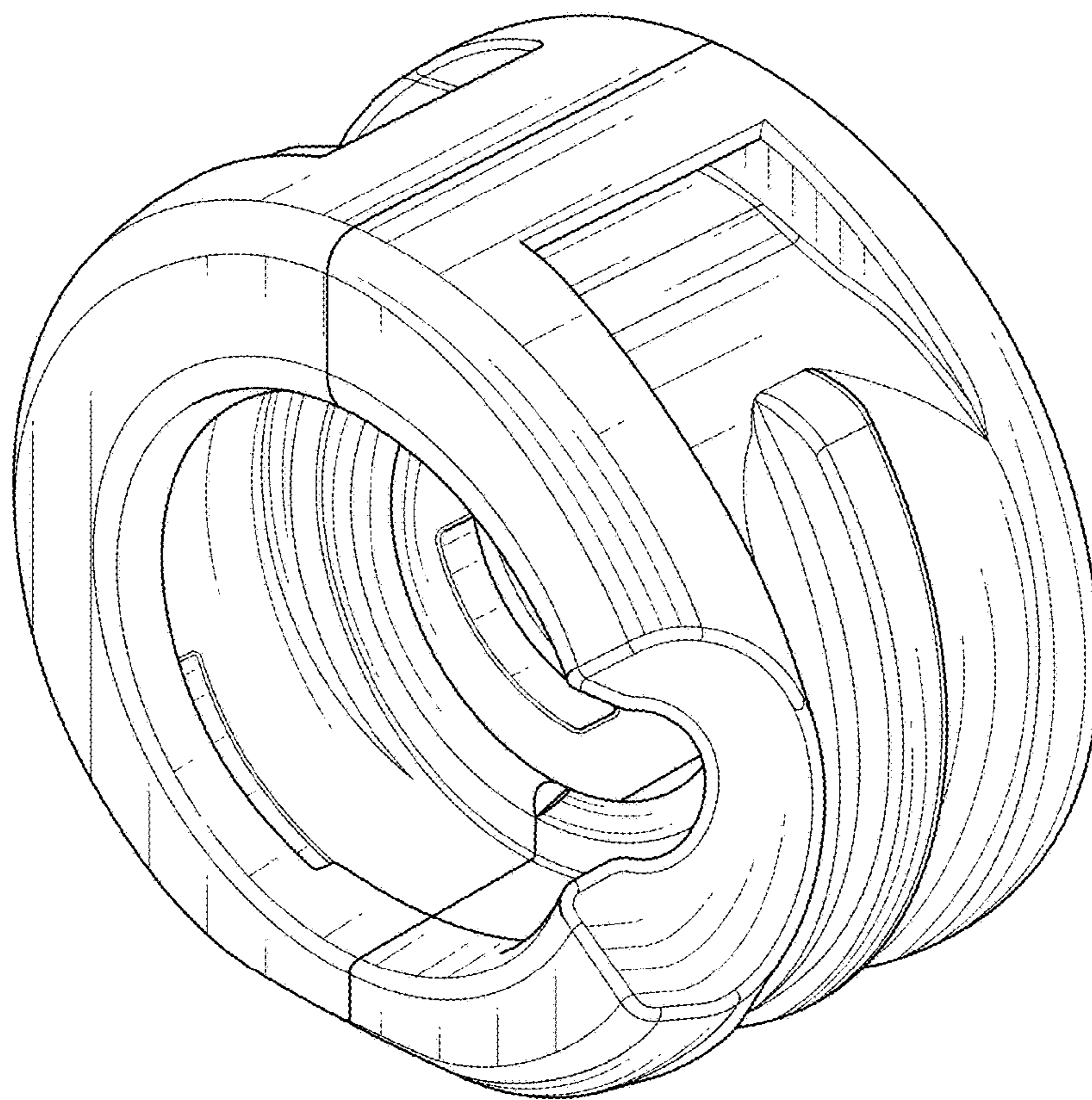


FIG. 2

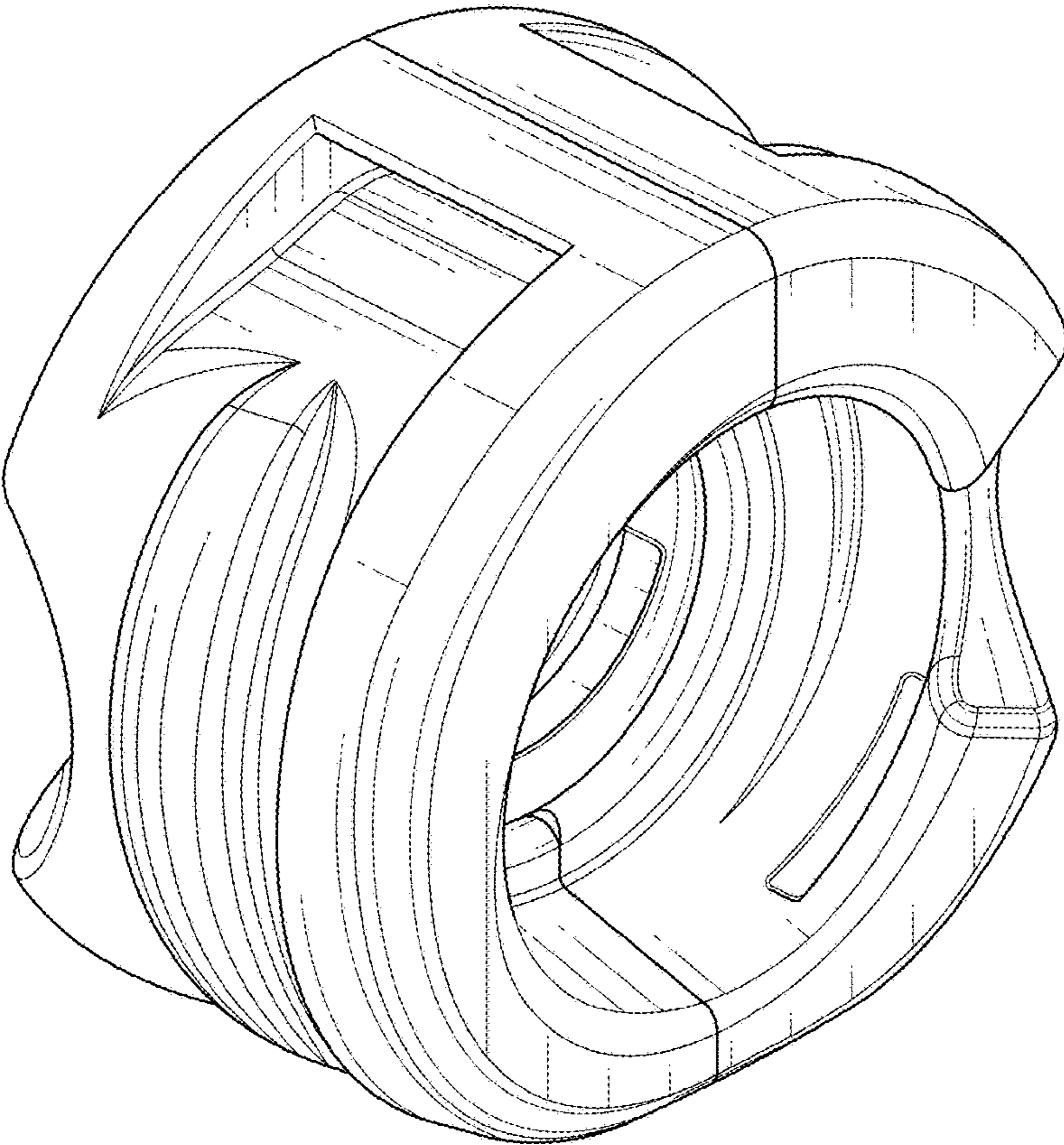


FIG. 3

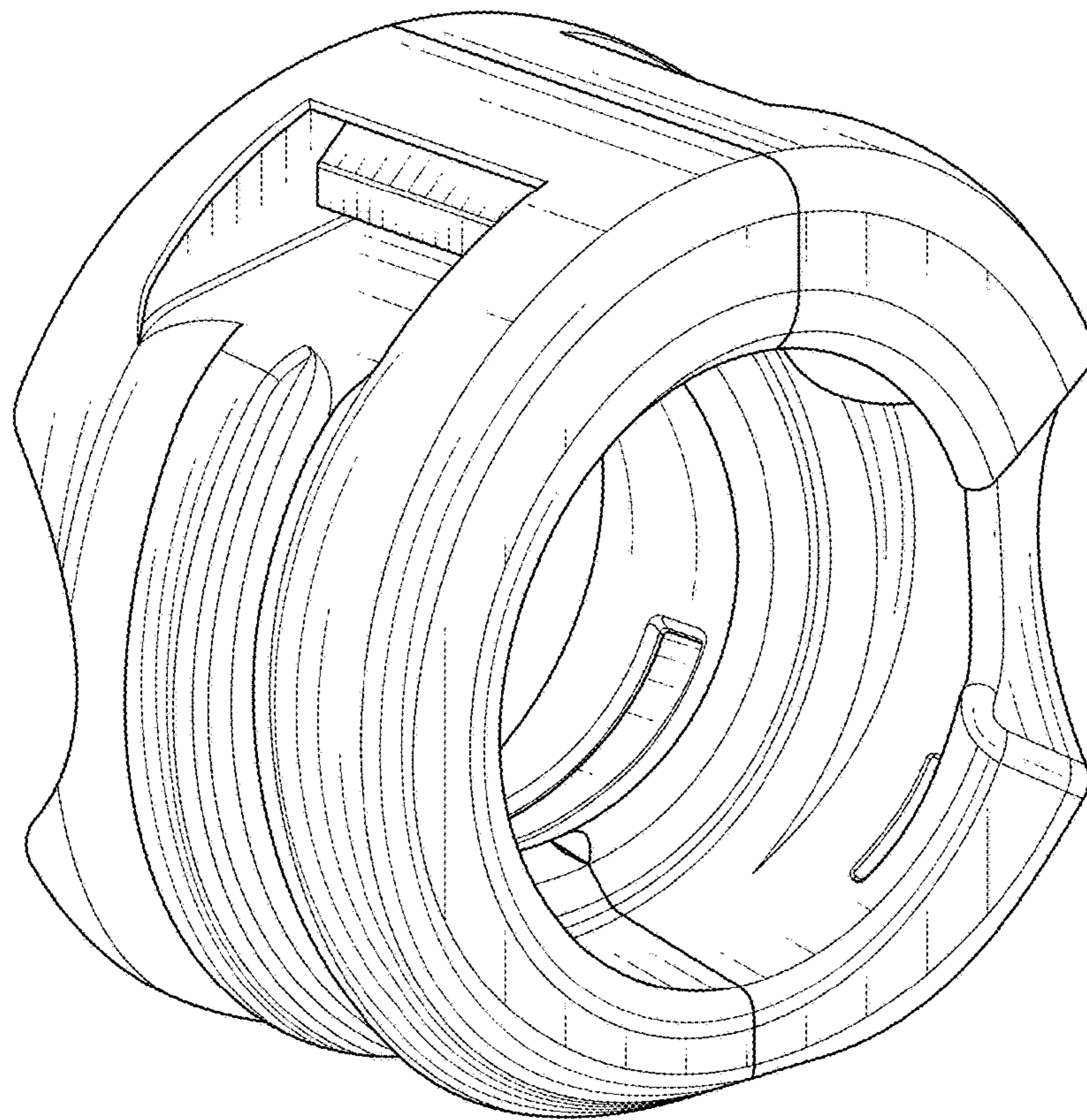


FIG. 4

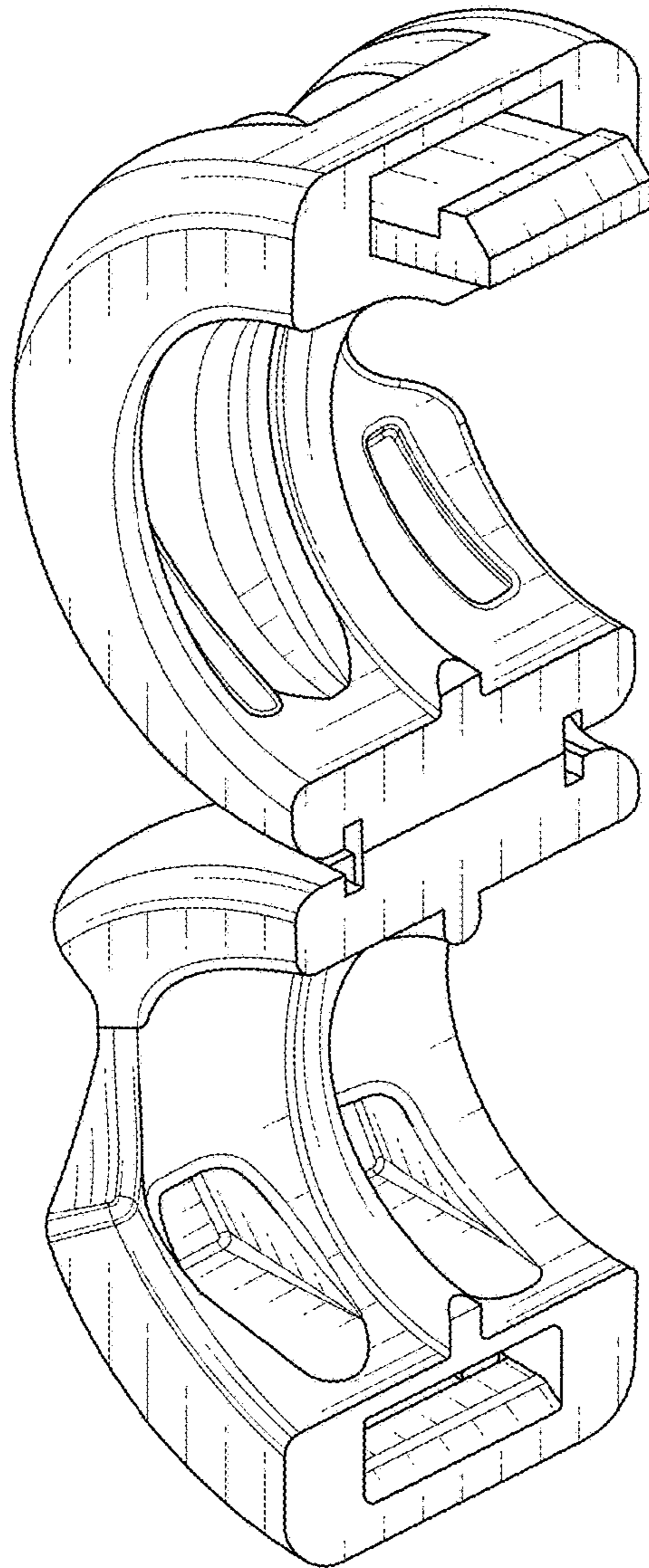


FIG. 5

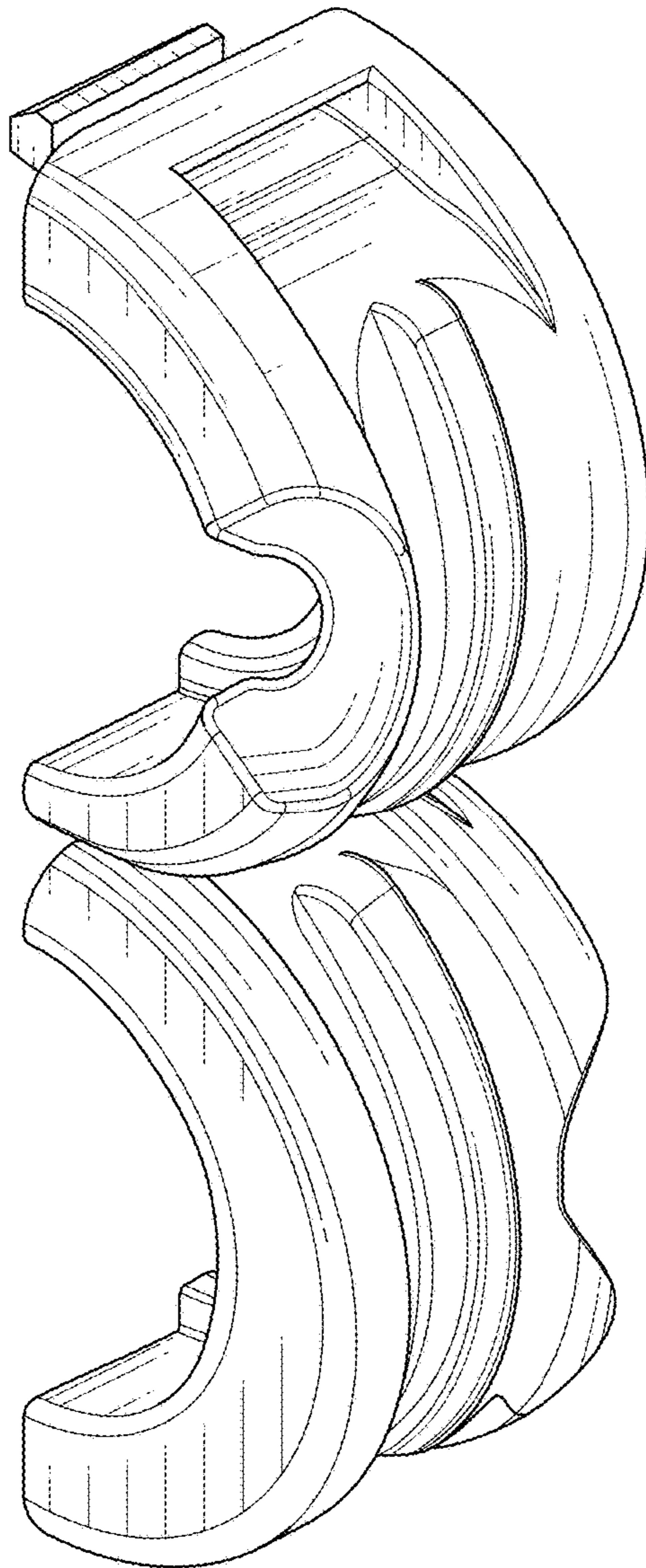


FIG. 6

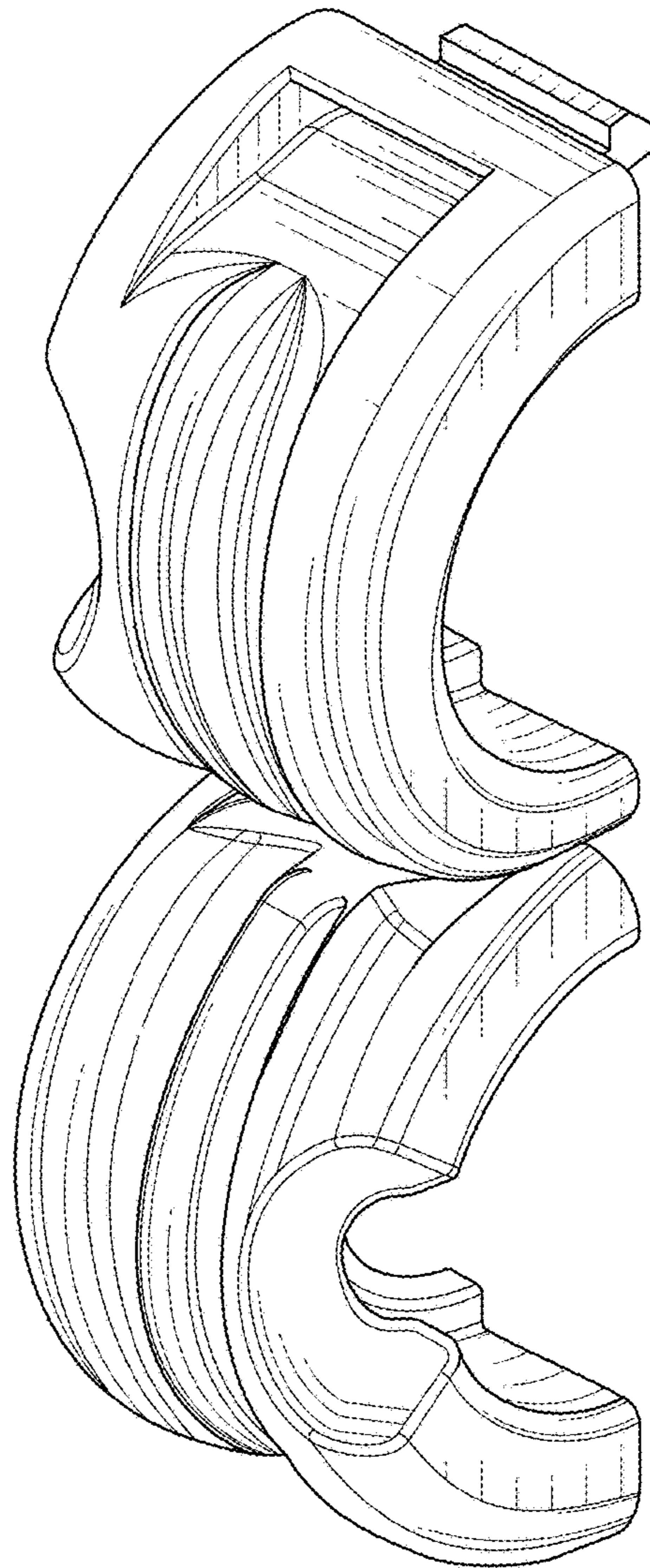


FIG. 7

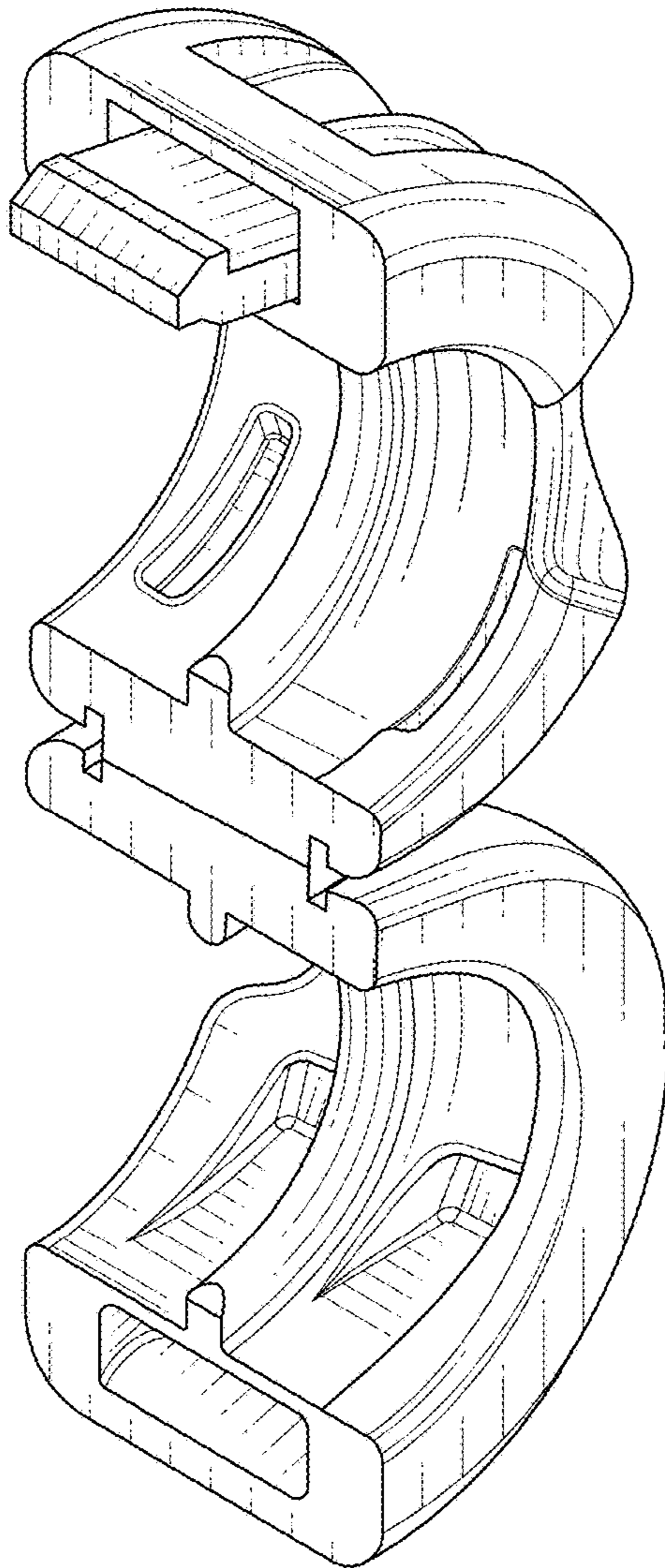


FIG. 8