



US00D858263S

(12) **United States Design Patent**  
**Chen**

(10) **Patent No.:** **US D858,263 S**  
(45) **Date of Patent:** **\*\* Sep. 3, 2019**

- (54) **CONNECTOR**
- (71) Applicant: **MARTAS PRECISION SLIDE CO., LTD.**, New Taipei (TW)
- (72) Inventor: **Wan-Lai Chen**, New Taipei (TW)
- (73) Assignee: **MARTAS PRECISION SLIDE CO., LTD.**, New Taipei (TW)
- (\*\*) Term: **15 Years**
- (21) Appl. No.: **29/568,217**
- (22) Filed: **Jun. 16, 2016**
- (51) **LOC (12) Cl.** ..... **08-05**
- (52) **U.S. Cl.**  
USPC ..... **D8/373**
- (58) **Field of Classification Search**  
USPC ..... D8/354, 355, 363, 377, 373, 270, 371,  
D8/372, 374, 375, 376, 379; 312/27,  
312/218, 219, 220, 221, 107.5, 330.1,  
312/334.1, 334.7, 334.44, 334.47, 333;  
D6/704  
CPC ..... A47B 96/067; A47B 96/07; A47B 88/40;  
A47B 88/10; H05K 7/1489; H05K 7/183;  
E05B 65/44  
See application file for complete search history.

- (56) **References Cited**  
U.S. PATENT DOCUMENTS  
6,779,855 B2 \* 8/2004 Hoffman ..... E05B 65/466  
312/219  
D535,551 S \* 1/2007 Milligan ..... D8/377  
7,484,817 B2 \* 2/2009 Hoffman ..... E05B 65/466  
312/219  
7,520,576 B2 \* 4/2009 Ludwig ..... E05B 65/46  
312/221  
7,850,259 B2 \* 12/2010 Chen ..... E05B 65/466  
312/221  
D648,160 S \* 11/2011 Le ..... D8/382

- 8,277,000 B2 \* 10/2012 Huang ..... E05B 65/464  
312/221
- 8,328,299 B2 \* 12/2012 Hashemi ..... E05B 47/00  
312/333
- 8,696,078 B2 \* 4/2014 Gasser ..... A47B 88/427  
312/348.2
- 9,004,432 B2 \* 4/2015 Lacarra ..... A47B 88/43  
211/26
- 9,161,626 B2 \* 10/2015 Zimmermann ..... E05B 65/46
- D745,988 S \* 12/2015 Ahn ..... D26/38
- 9,235,072 B1 \* 1/2016 Yang ..... G02B 6/0076
- 9,237,808 B2 \* 1/2016 Chen ..... A47B 96/07
- 9,279,451 B2 \* 3/2016 Judge ..... F16C 29/04
- D758,174 S \* 6/2016 Lee ..... D8/382

(Continued)

*Primary Examiner* — Ian Simmons  
*Assistant Examiner* — Yolanda Robinson  
(74) *Attorney, Agent, or Firm* — Fei-hung Yang

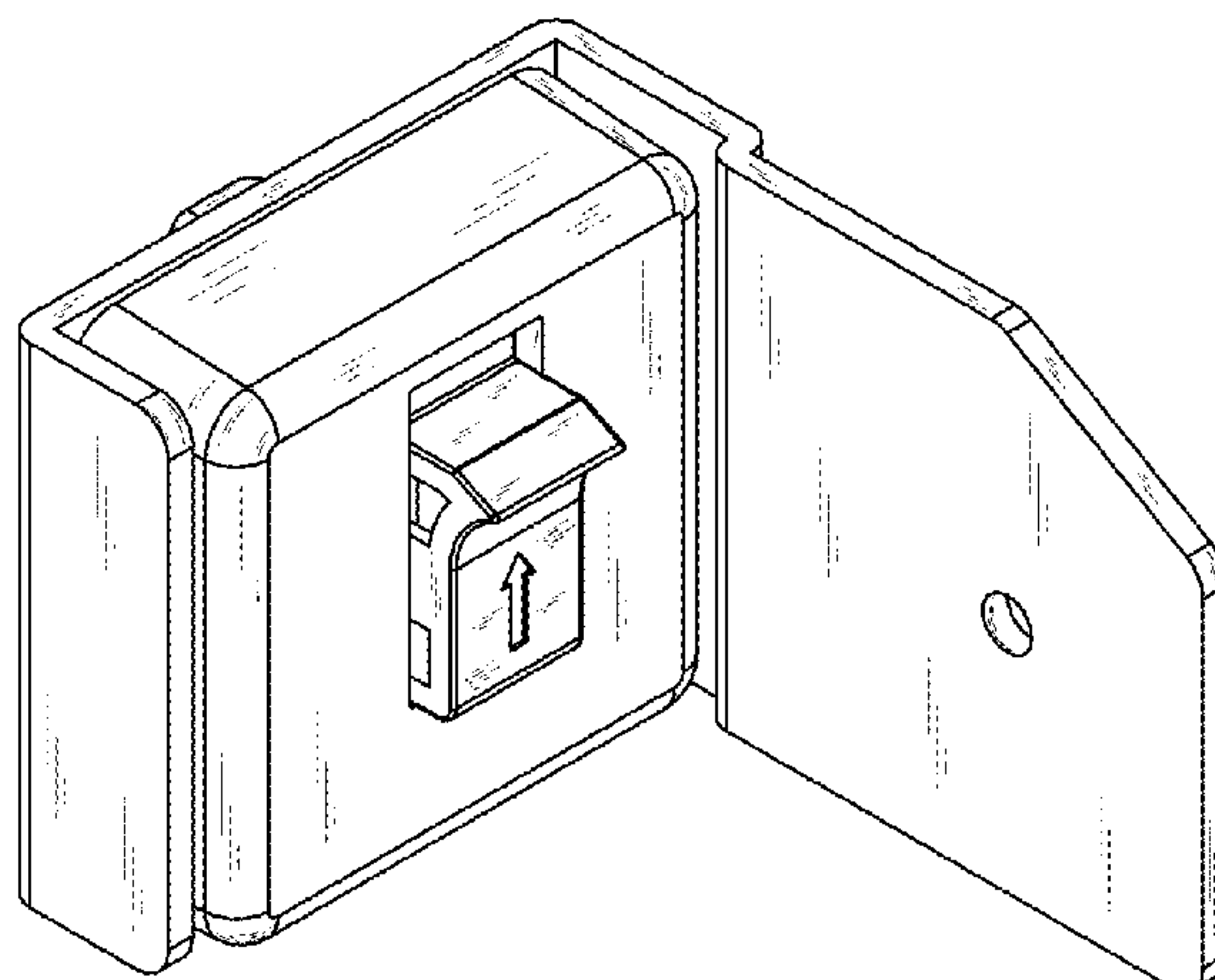
(57) **CLAIM**

The ornamental design for a “connector,” as shown and described.

**DESCRIPTION**

FIG. 1 is a perspective view of a “connector” showing our new design;  
FIG. 2 is a front view thereof;  
FIG. 3 is a rear view thereof;  
FIG. 4 is a left side view thereof;  
FIG. 5 is a right side view thereof;  
FIG. 6 is a top view thereof;  
FIG. 7 is a bottom view thereof; and,  
FIG. 8 is a perspective view of the “connector” showing the “connector” in use.  
The broken lines shown in FIG. 8 are for the purpose of illustrating environment and form no part of the claimed design. The broken lines shown in FIG. 3 are for portions of the connector that form no part of the claimed design. None of the broken lines form any part of the claimed design.

**1 Claim, 5 Drawing Sheets**



(56)

**References Cited**

U.S. PATENT DOCUMENTS

D767,199 S \* 9/2016 Wronski ..... D26/142  
D775,932 S \* 1/2017 van Hillo ..... D8/349  
D780,438 S \* 3/2017 Marques ..... D3/222  
2005/0104485 A1\* 5/2005 Chiu ..... E05B 65/464  
312/221  
2007/0040484 A1\* 2/2007 Huang ..... E05B 65/464  
312/221  
2007/0182292 A1\* 8/2007 Huang ..... E05B 65/464  
312/221  
2008/0011564 A1\* 1/2008 Chen ..... F16F 9/0218  
188/300  
2008/0106175 A1\* 5/2008 Huang ..... E05B 65/464  
312/217  
2011/0176755 A1\* 7/2011 Chen ..... E05B 65/466  
384/21  
2012/0068590 A1\* 3/2012 Chen ..... E05B 65/464  
312/333  
2012/0168391 A1\* 7/2012 Liu ..... F16M 11/105  
211/26  
2014/0055020 A1\* 2/2014 Gasser ..... A47B 88/57  
312/333  
2017/0055707 A1\* 3/2017 Chen ..... A47B 88/407

\* cited by examiner

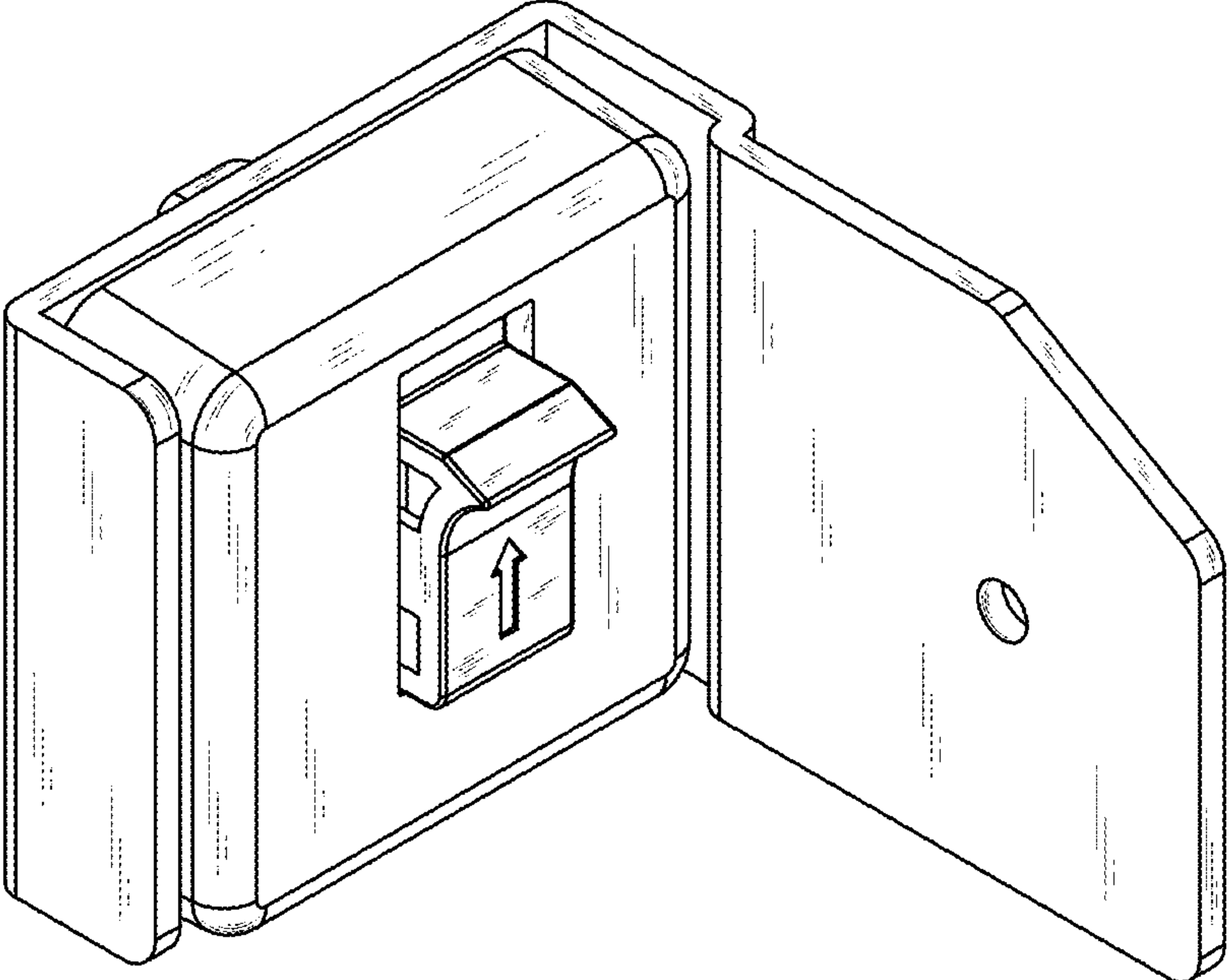


Fig. 1

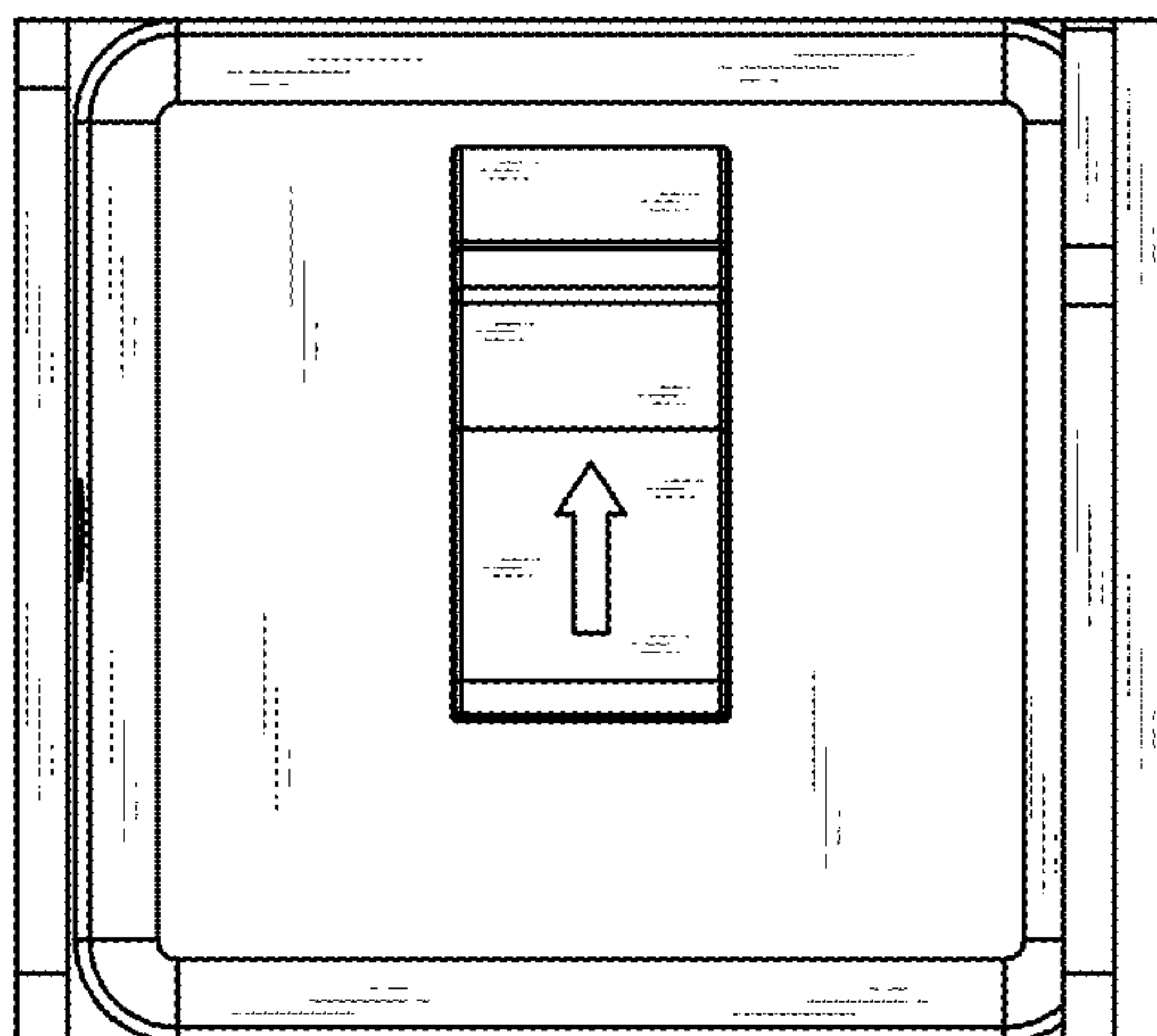


Fig. 2

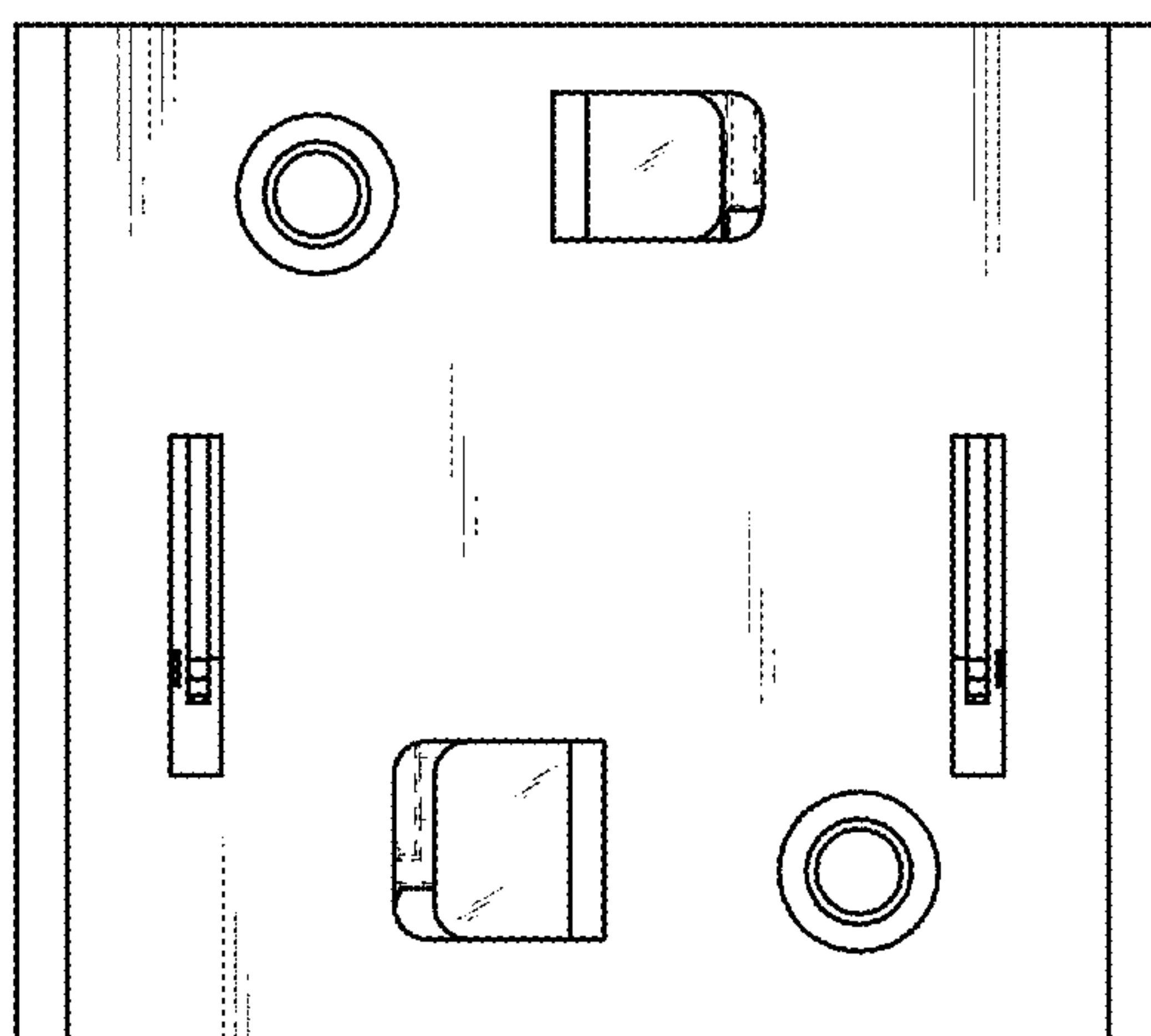


Fig. 3

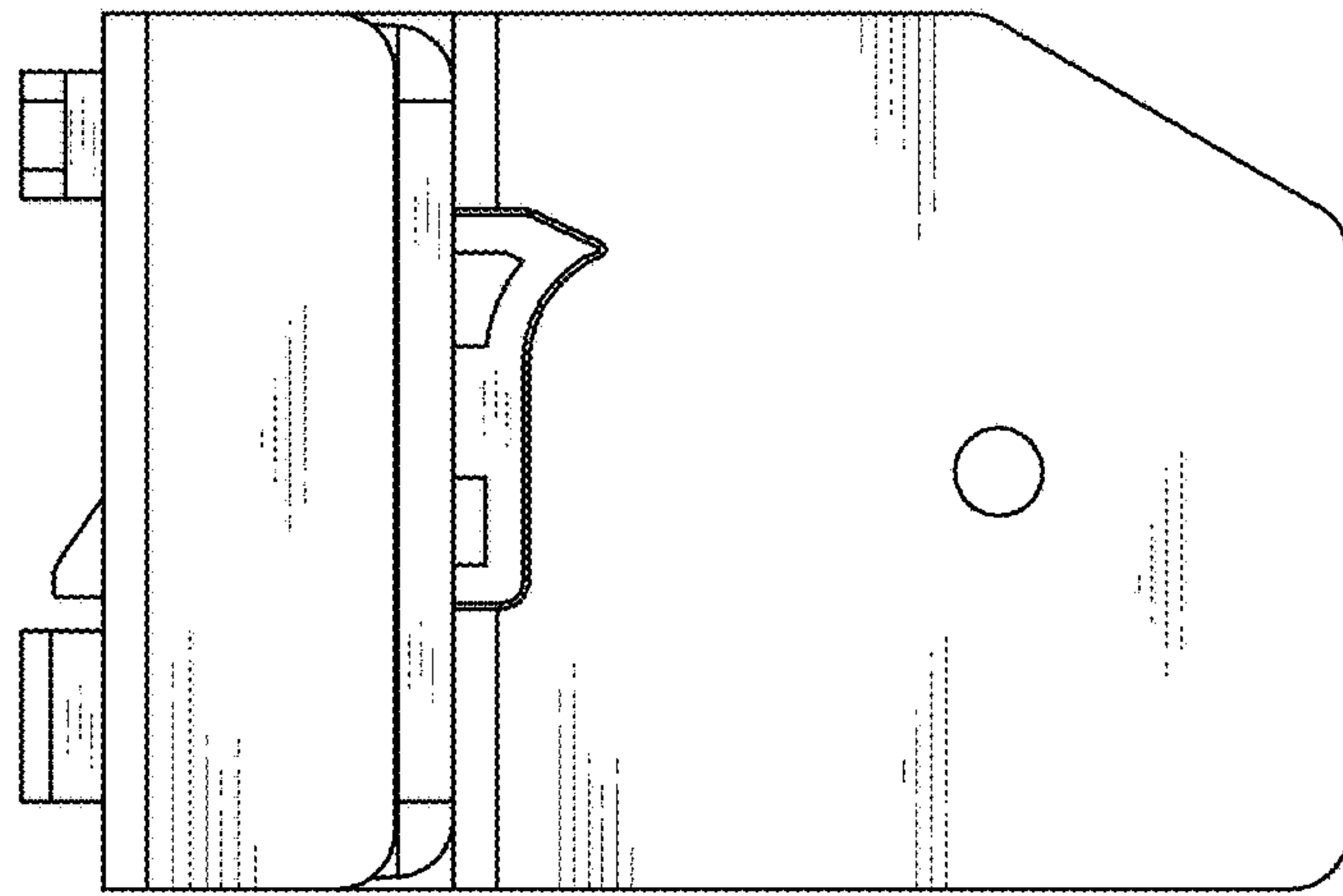


Fig. 4

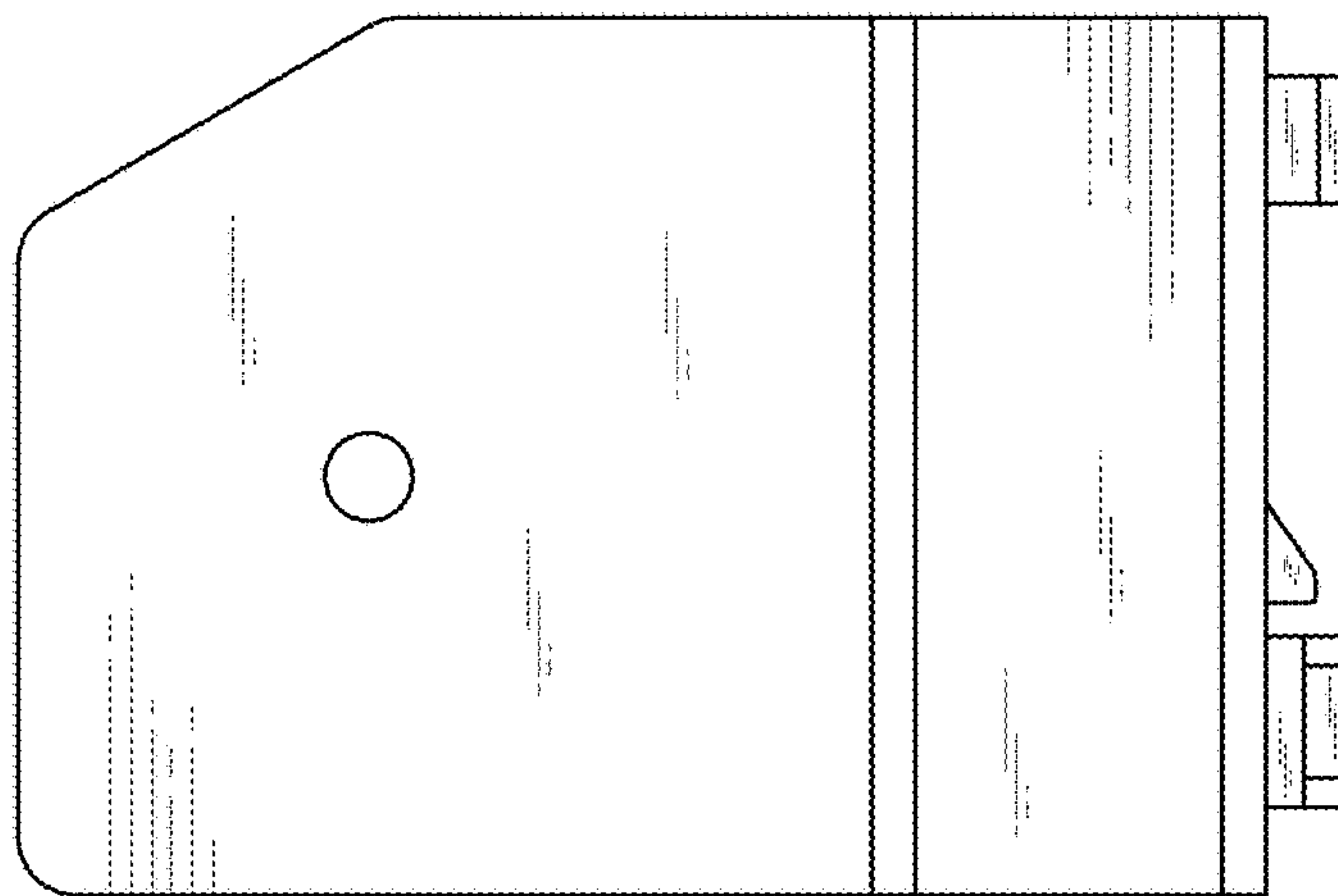


Fig. 5

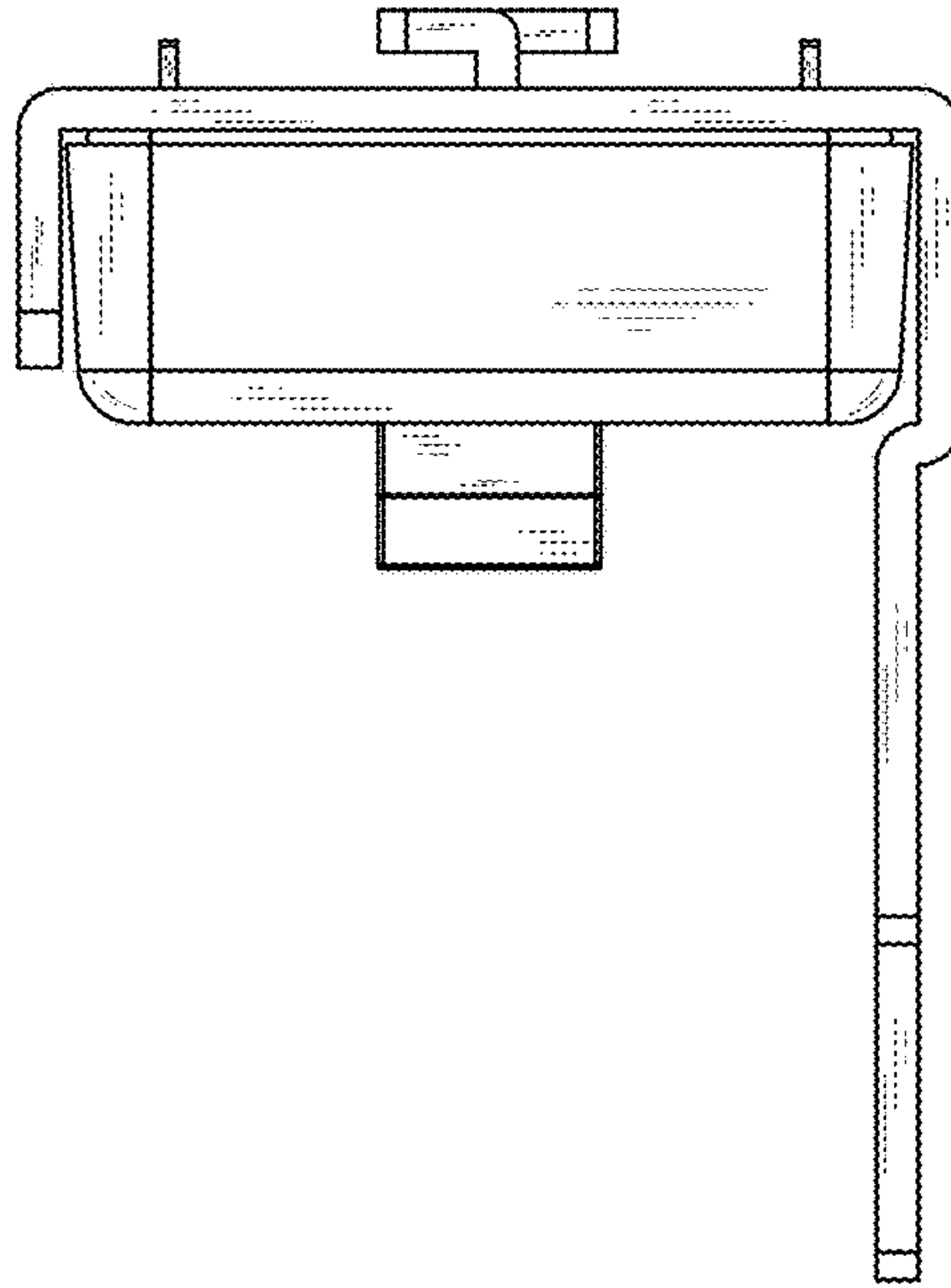


Fig. 6

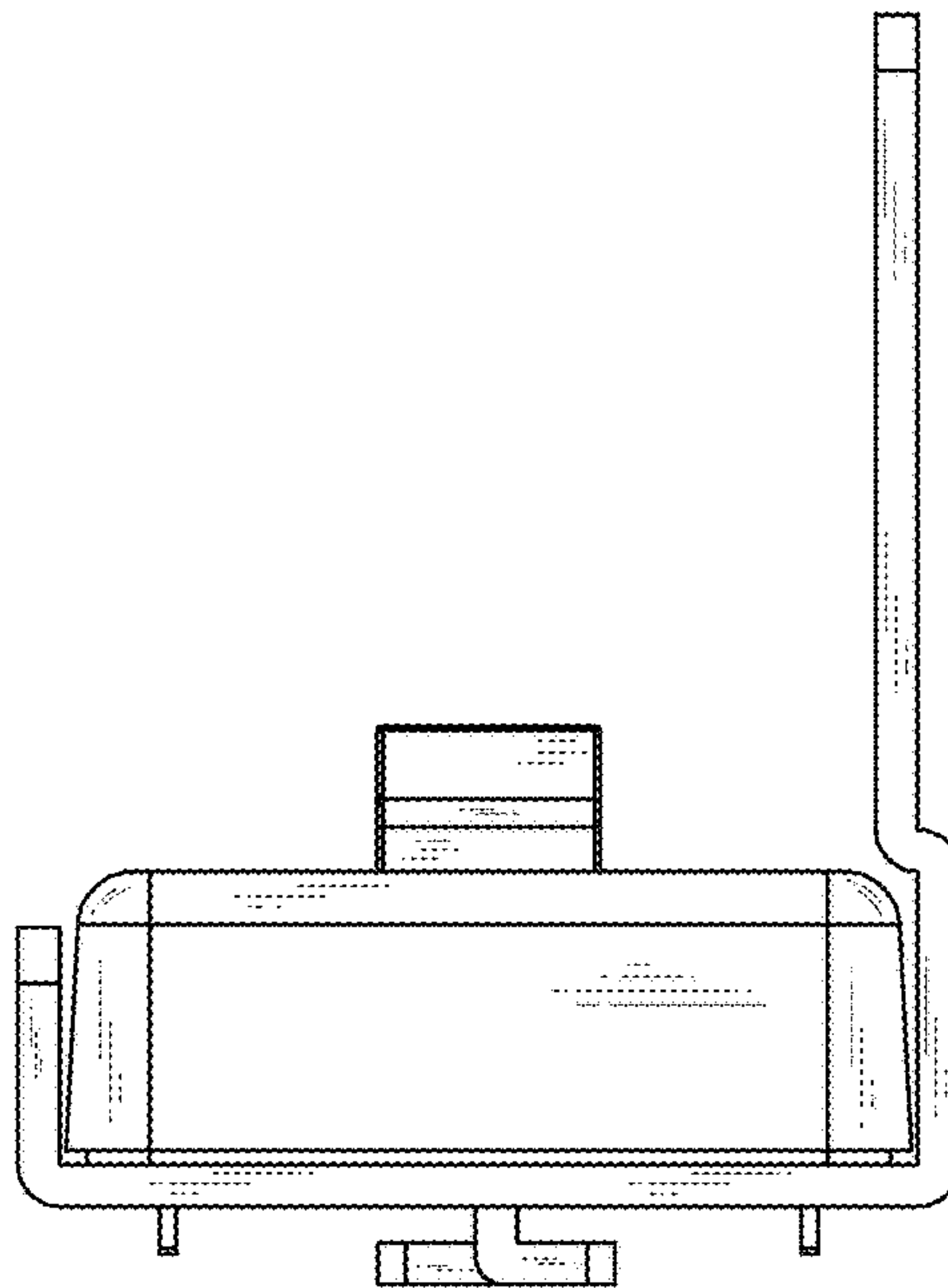


Fig. 7



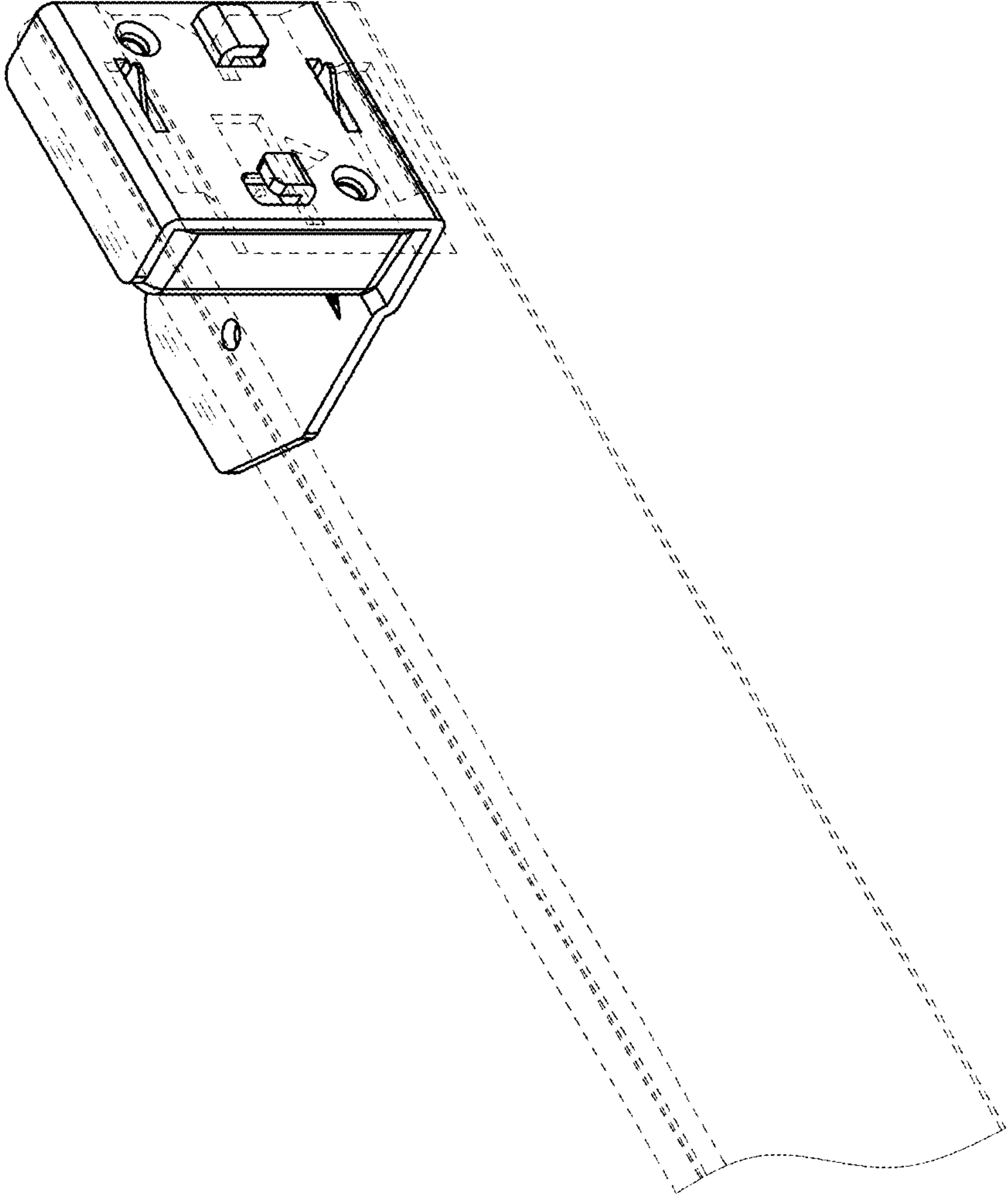


Fig. 8