



US00D858261S

(12) **United States Design Patent**
Gong

(10) **Patent No.:** **US D858,261 S**

(45) **Date of Patent:** **** Sep. 3, 2019**

(54) **HANGER**

(71) Applicant: **Ningbo Ravo Import & Export Co., Ltd., Ningbo (CN)**

(72) Inventor: **Lei Gong, Ningbo (CN)**

(73) Assignee: **Ningbo Ravo Import & Export Co., Ltd., Ningbo (CN)**

(**) Term: **15 Years**

(21) Appl. No.: **29/634,745**

(22) Filed: **Jan. 24, 2018**

(51) **LOC (12) Cl.** **08-05**

(52) **U.S. Cl.**
USPC **D8/367; D8/372**

(58) **Field of Classification Search**
USPC D8/367, 356, 354, 349, 18, 105, 368,
D8/372; D11/208, 218; 248/341
CPC A45F 5/021; A44B 13/0029; F16B 45/00;
F16M 13/02; A45C 13/03
See application file for complete search history.

(56) **References Cited**

U.S. PATENT DOCUMENTS

- 3,089,597 A * 5/1963 Kaplan A47K 10/185
221/46
- D216,359 S * 12/1969 Feuerer D8/367
- 3,585,674 A * 6/1971 Golden A47H 13/00
16/87.6 R
- D285,529 S * 9/1986 Huxhold 248/304
- D304,545 S * 11/1989 Hurrelbrink D8/373
- D336,842 S * 6/1993 Hampshire D6/323
- D342,889 S * 1/1994 Adams D8/367
- D363,453 S * 10/1995 Herdt D11/78.1
- D373,526 S * 9/1996 Roethler D8/367
- D373,948 S * 9/1996 Etzel D8/367
- D391,146 S * 2/1998 Cutler D8/367

- D393,587 S * 4/1998 Valerio D8/367
- 5,738,319 A * 4/1998 Grassi A47G 7/044
248/215
- 5,970,777 A * 10/1999 Hunt B42F 1/06
29/13
- 6,457,218 B1 * 10/2002 Lawrence B42F 1/10
24/3.12
- 6,543,737 B2 * 4/2003 Decker A47K 10/185
248/316.1
- D478,499 S * 8/2003 Winig D8/367
- D494,050 S * 8/2004 Klein D6/513
- 7,234,671 B2 * 6/2007 Avinger A01G 5/04
248/215
- D554,484 S * 11/2007 Dahlin D8/367
- D573,449 S * 7/2008 Goodman D8/371
- D584,939 S * 1/2009 Snell D8/367
- D597,666 S * 8/2009 George D24/128
- D601,880 S * 10/2009 Veilleux D8/367
- D605,934 S * 12/2009 Mirer D8/395
- D613,589 S * 4/2010 Goodman D8/367
- D617,998 S * 6/2010 Goodman D6/323
- 7,861,990 B2 * 1/2011 Barnes E04F 10/0662
248/201
- 7,992,833 B1 * 8/2011 Goodman A47G 25/0614
248/298.1

(Continued)

Primary Examiner — Cynthia R Underwood

(74) *Attorney, Agent, or Firm* — Wang Law Firm, Inc.

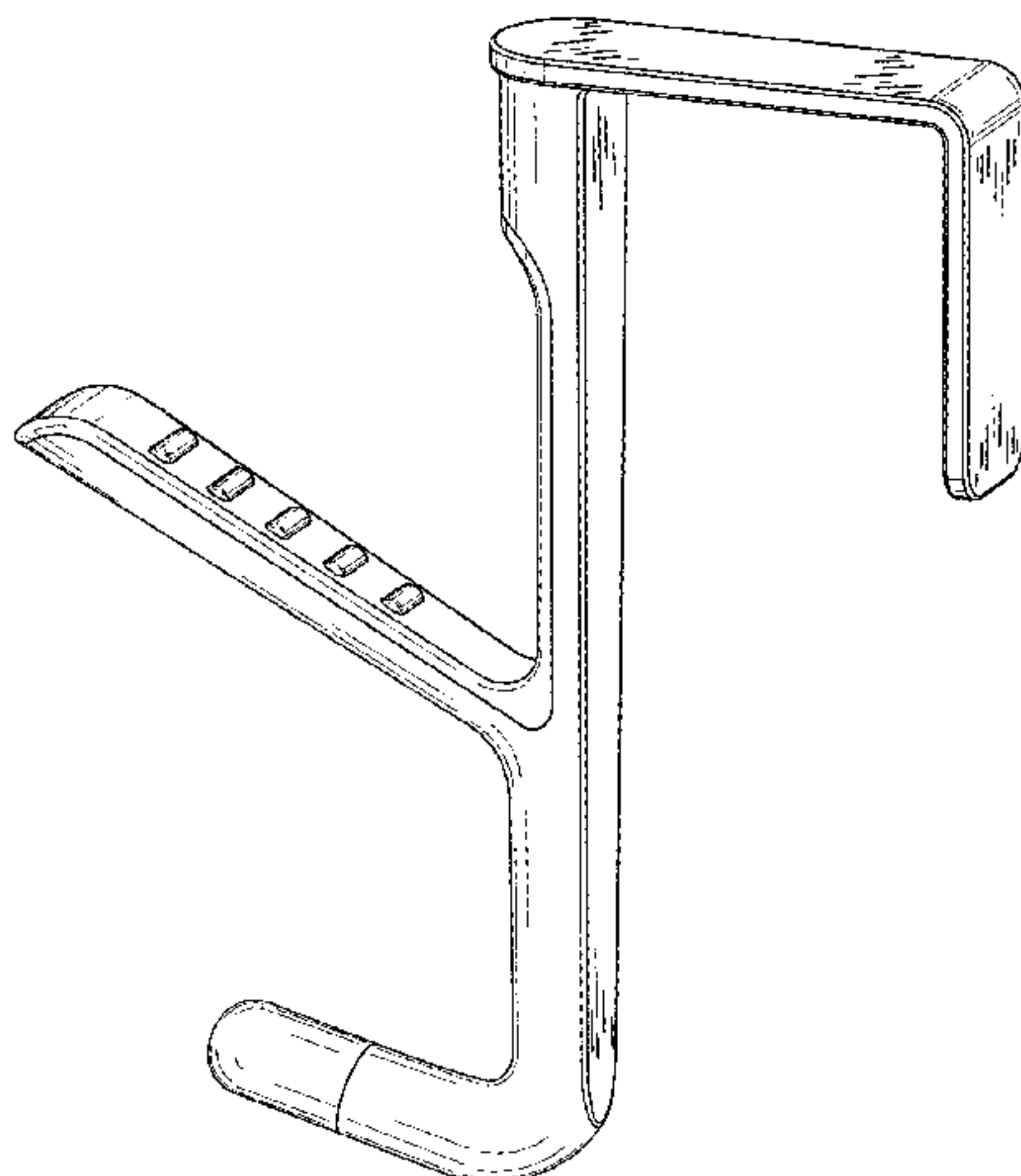
(57) **CLAIM**

The ornamental design for a hanger, as shown and described.

DESCRIPTION

FIG. 1 is a right view showing my new design;
 FIG. 2 is a front view thereof;
 FIG. 3 is a rear view thereof;
 FIG. 4 is a top view thereof;
 FIG. 5 is a bottom perspective view thereof;
 FIG. 6 is a left view thereof; and,
 FIG. 7 is a perspective view thereof.

1 Claim, 6 Drawing Sheets



(56)

References Cited

U.S. PATENT DOCUMENTS

D655,407 S * 3/2012 Adams D24/128
D694,613 S * 12/2013 Miles D8/367
D697,785 S * 1/2014 Davis D8/367
8,672,002 B2 * 3/2014 Stein A45C 13/001
150/104
D714,626 S * 10/2014 Trifari, Jr. D8/354
D721,264 S * 1/2015 Babicki D8/367
9,107,526 B2 * 8/2015 Rife A47G 29/083
D746,127 S * 12/2015 Cohen D8/367
D757,513 S * 5/2016 Heins D8/40
D766,707 S * 9/2016 Greenleaf D8/367
9,433,261 B1 * 9/2016 Miles A44B 13/0029
D773,041 S * 11/2016 Lentsch D24/128
9,528,655 B1 * 12/2016 Miles F16M 13/022
D784,044 S * 4/2017 Sokoly D6/552
D802,399 S * 11/2017 Ward D8/367
D819,431 S * 6/2018 Goodman D8/367
D827,315 S * 9/2018 Taylor D6/323
D834,338 S * 11/2018 Taylor D6/323
D837,040 S * 1/2019 Connor D8/367
D840,791 S * 2/2019 Caudle D8/367
D844,782 S * 4/2019 Arora D24/130
D849,516 S * 5/2019 Johnson D8/367
D850,244 S * 6/2019 Goodman D8/367
2004/0178240 A1 * 9/2004 Bauer A45F 5/02
224/268
2015/0150389 A1 * 6/2015 Nilsson B25H 3/04
248/220.42

* cited by examiner

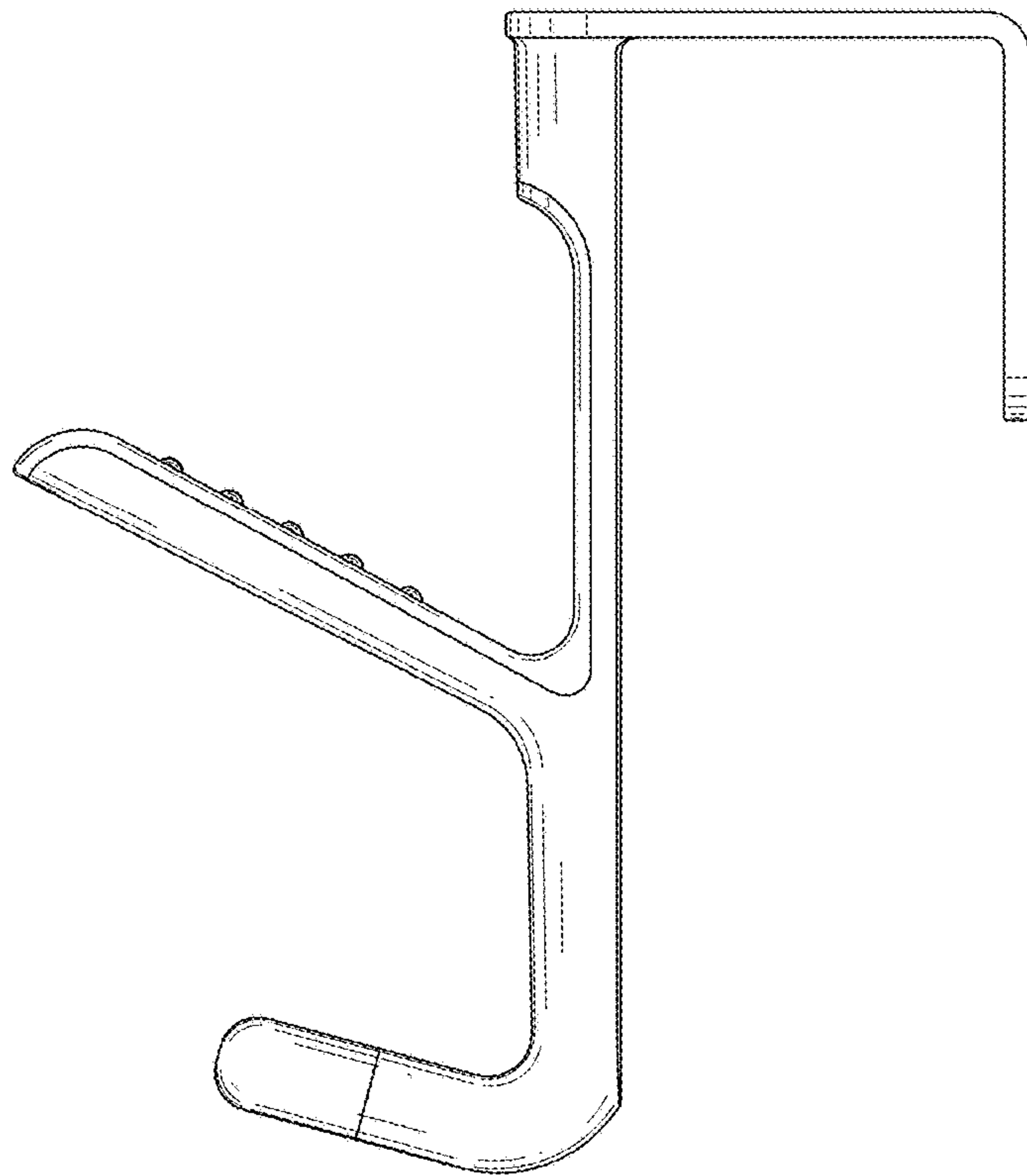


FIG. 1

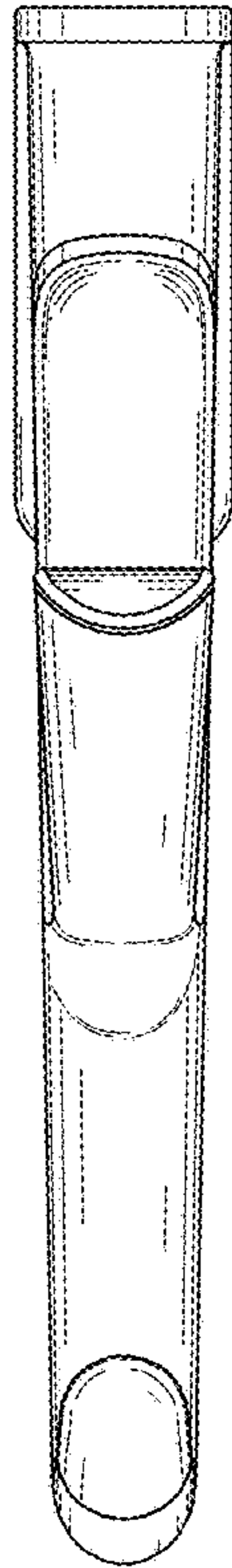


FIG. 2

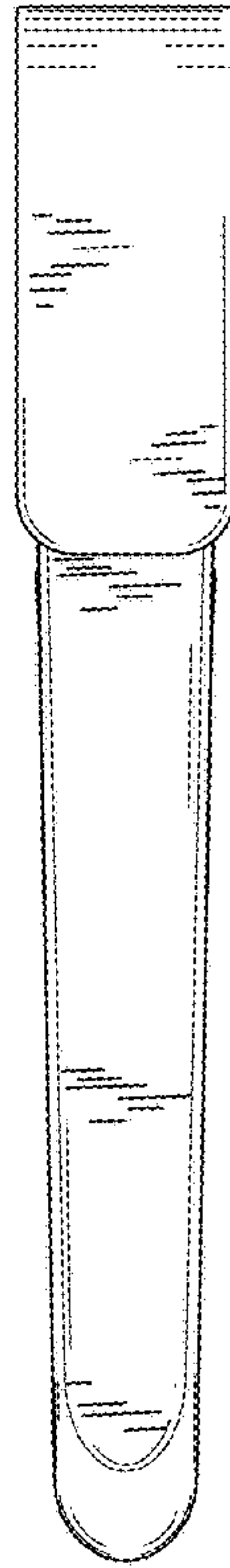


FIG. 3

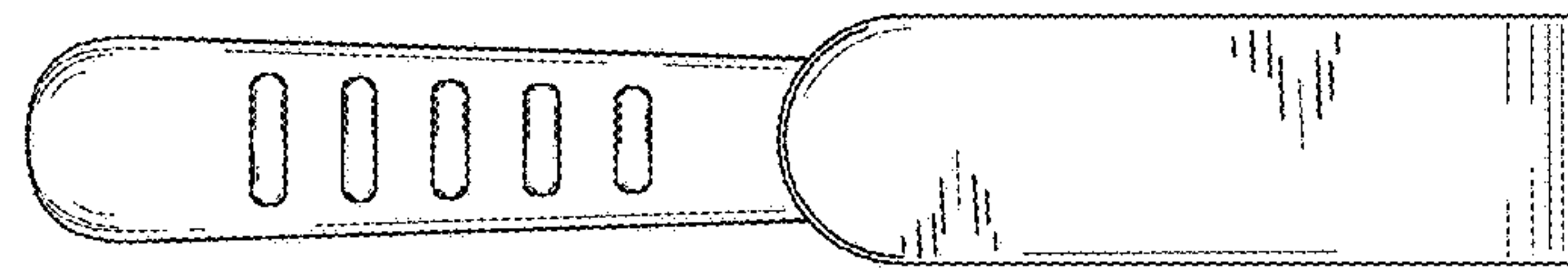


FIG. 4

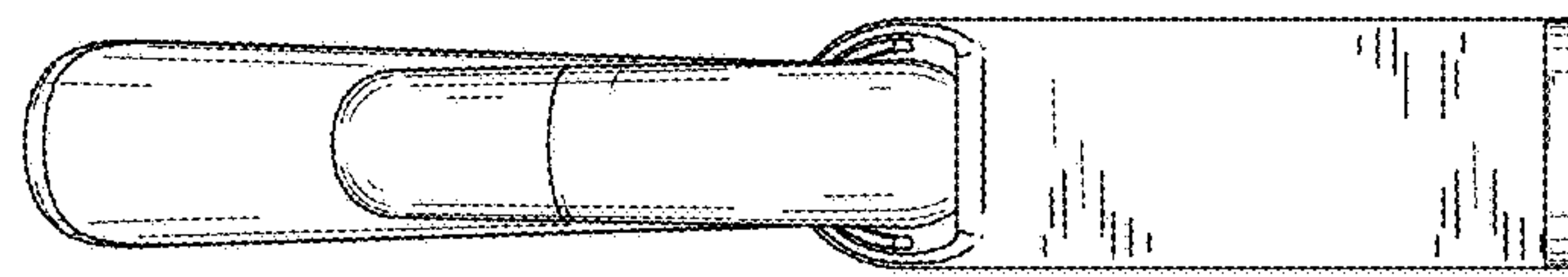


FIG. 5

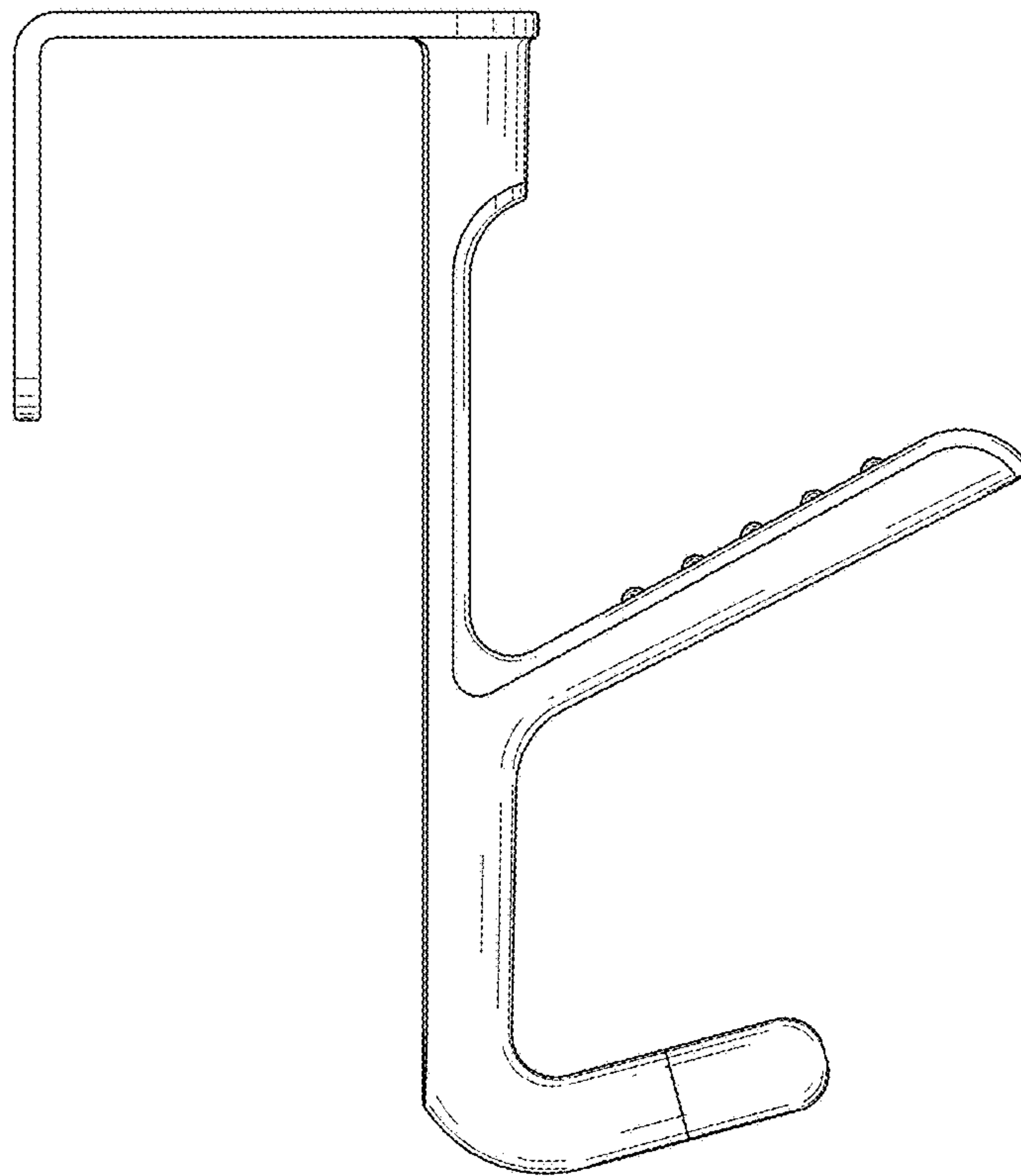


FIG. 6

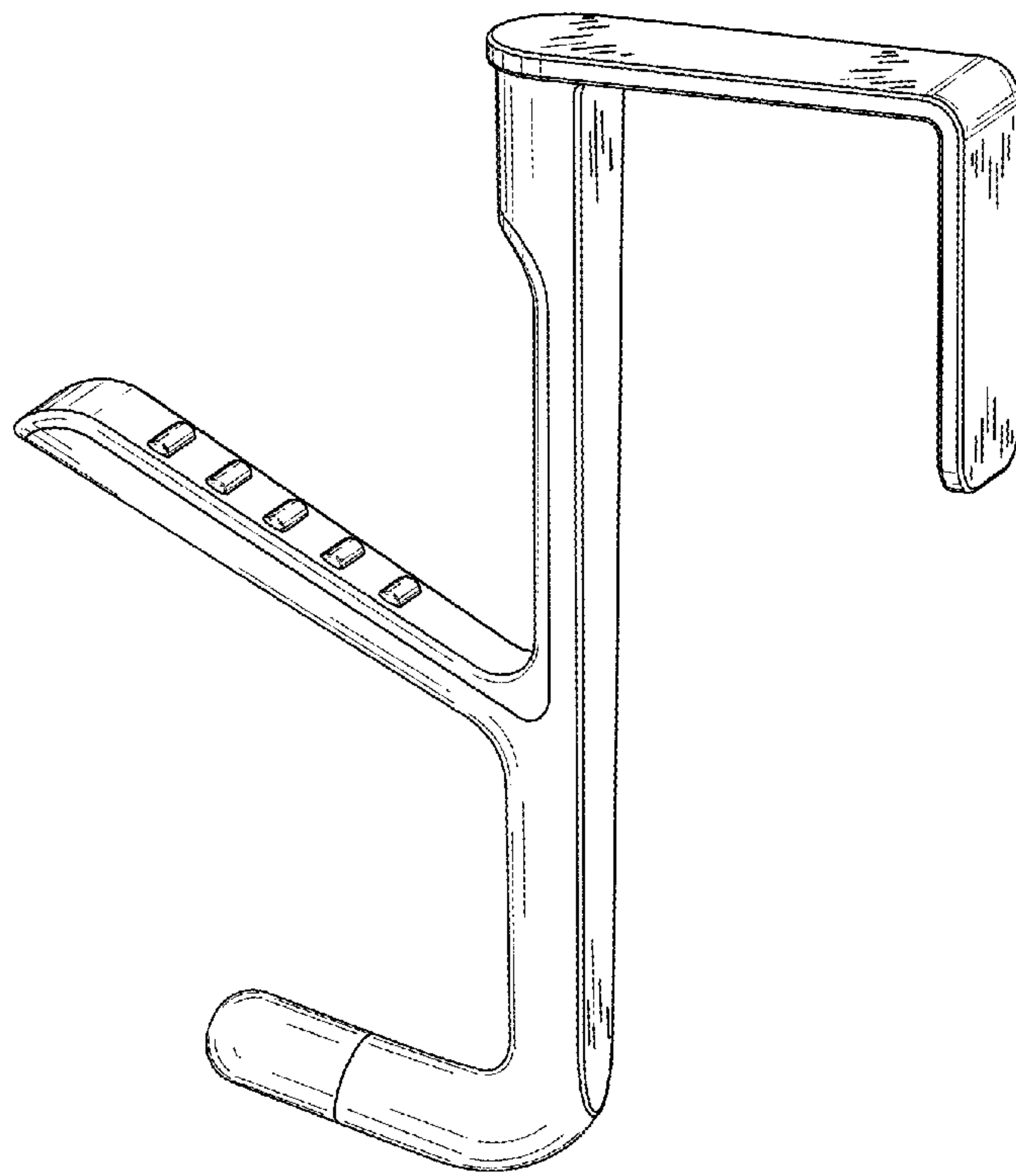


FIG. 7