



US00D858260S

(12) **United States Design Patent** (10) **Patent No.:** **US D858,260 S**
Hanley (45) **Date of Patent:** **** *Sep. 3, 2019**

- (54) **ROD BRACKET**
- (71) Applicant: **Kenney Manufacturing Company**,
Warwick, RI (US)
- (72) Inventor: **Michael P. Hanley**, Smithfield, RI (US)
- (73) Assignee: **Kenney Manufacturing Company**,
Warwick, RI (US)
- (*) Notice: This patent is subject to a terminal disclaimer.
- (**) Term: **15 Years**
- (21) Appl. No.: **29/609,179**
- (22) Filed: **Jun. 28, 2017**

917,601 A	4/1909	Heinrichs	
969,051 A *	8/1910	Garraway et al.	A47H 1/13 248/254
1,057,043 A	3/1913	Dohm	
1,147,355 A	7/1915	Zevin et al.	
D60,744 S *	3/1922	Weyman	D8/355
D75,598 S *	6/1928	Priest	D8/363
D76,096 S *	8/1928	Vermillion	D8/363
D76,097 S *	8/1928	Vermillion	D8/363
2,224,008 A	12/1940	Auslander	
2,679,373 A	5/1954	Henley	
2,859,879 A	11/1958	Rogers et al.	
2,908,471 A	10/1959	Hollansworth	
3,506,135 A	4/1970	Klingaman	
3,614,045 A	10/1971	Cegielski, Jr.	
3,669,395 A	6/1972	Gehrke	
3,912,211 A	10/1975	Topf	
D244,668 S *	6/1977	Tegner	D6/324
4,140,294 A	2/1979	Zwarts	
4,162,721 A	7/1979	Moriya	

(Continued)

Related U.S. Application Data

- (63) Continuation-in-part of application No. 15/488,781, filed on Apr. 17, 2017.
- (51) **LOC (12) Cl.** **08-05**
- (52) **U.S. Cl.**
USPC **D8/363**
- (58) **Field of Classification Search**
USPC D8/323, 354, 355, 376, 373, 371, 370,
D8/372, 363; D6/323, 550
CPC A47H 1/142; A47H 1/122; A47H 13/01;
A47H 1/022; A47H 1/102; A47H 1/02;
A47H 2023/003; A47H 1/14; A47H 1/00;
A47H 2001/006; A47H 2001/021; A47H
2001/0215
See application file for complete search history.

Primary Examiner — Eliza Z Bennett-Hattan
(74) *Attorney, Agent, or Firm* — Adler Pollock & Sheehan P.C

(57) **CLAIM**

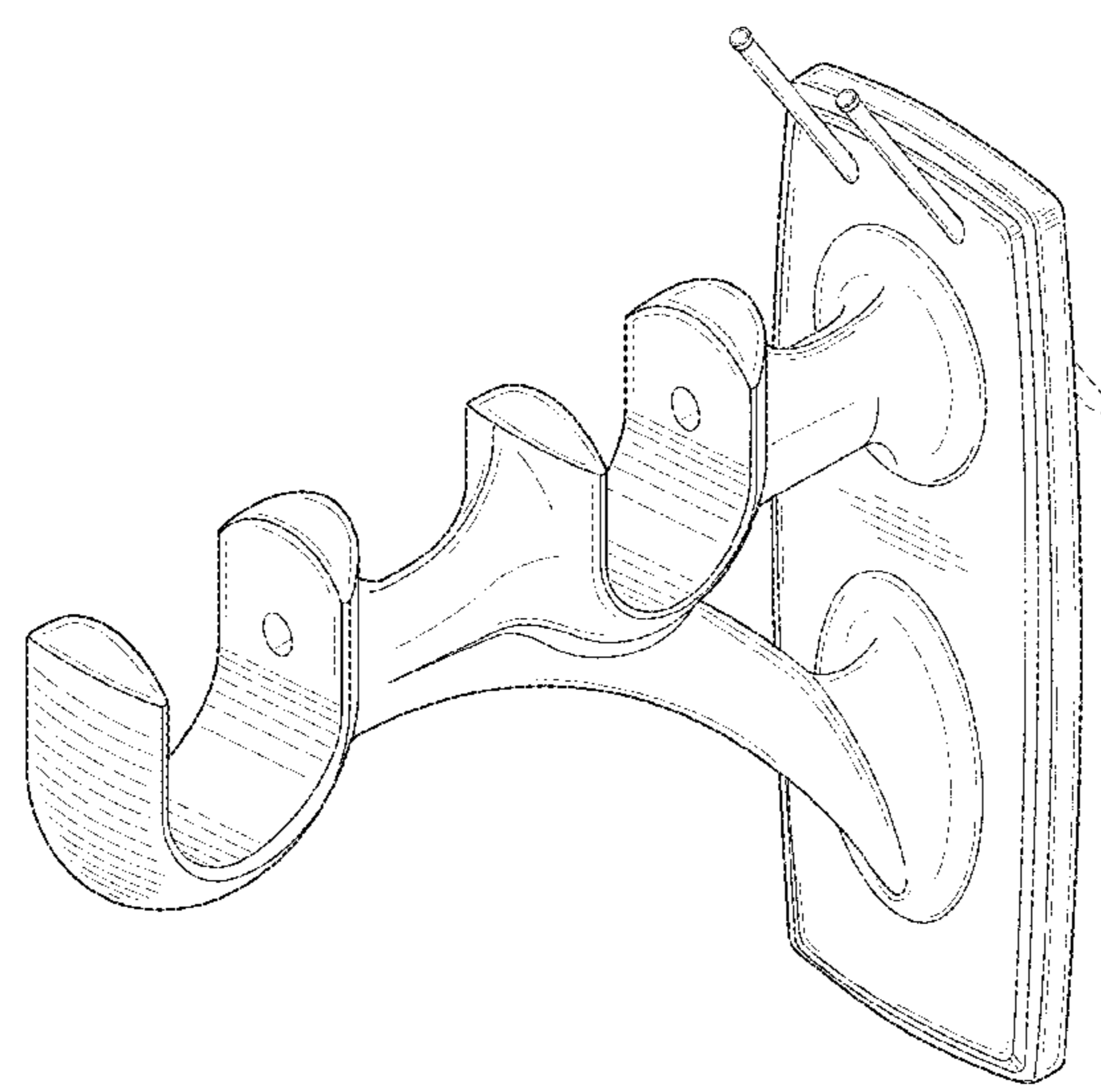
The ornamental design for a rod bracket, as shown and described.

DESCRIPTION

FIG. 1 is a perspective view of the rod bracket;
FIG. 2 is a front view thereof;
FIG. 3 is a rear view thereof;
FIG. 4 is a right side view thereof;
FIG. 5 is a left side view thereof;
FIG. 6 is a top view thereof; and,
FIG. 7 is a bottom view thereof.
The elements depicted in broken lines in the various figures are included for environmental purposes only, and form no part of the claimed design.

- (56) **References Cited**
U.S. PATENT DOCUMENTS
378,087 A 2/1888 Field
827,627 A * 7/1906 Graham A47H 1/13
248/254

1 Claim, 7 Drawing Sheets



(56)

References Cited

U.S. PATENT DOCUMENTS

D259,241 S *	5/1981	Lynch	D8/363	8,056,873 B1	11/2011	Hanley et al.
4,325,528 A	4/1982	Martin		8,231,093 B2	7/2012	Tran
D265,285 S	7/1982	Englert, Jr.		D678,754 S	3/2013	Burr
4,381,578 A	5/1983	Glejf		8,418,975 B1	4/2013	Burr
D279,450 S *	7/1985	Chap	D6/325	8,500,078 B2	8/2013	Castellanos
4,555,432 A	11/1985	Bossons		D700,827 S	3/2014	Starck
D281,575 S *	12/1985	Chap	D6/325	8,678,068 B1	3/2014	Hobart et al.
D285,410 S	9/1986	Webber		D707,535 S *	6/2014	Burr
D290,224 S	6/1987	Skinner		8,740,171 B2	6/2014	Crescenzo
D290,931 S	7/1987	Powell		8,814,114 B2	8/2014	Baines
4,684,095 A	8/1987	Athey		D714,622 S	10/2014	Pan
4,898,409 A	2/1990	Carter		D715,133 S	10/2014	Pan
D307,539 S	5/1990	Goodman et al.		D715,625 S	10/2014	Pan
D315,862 S	4/1991	Specker, Jr.		D715,626 S	10/2014	Pan
D316,031 S *	4/1991	Goodman	D8/363	8,851,435 B1	10/2014	Bastien et al.
5,011,030 A	4/1991	Alaurent		8,925,747 B1	1/2015	Hanley
5,069,412 A	12/1991	Jacob		D742,726 S	11/2015	Glass et al.
D327,642 S	7/1992	Foubister		D760,068 S	6/2016	Sehl
D329,372 S	9/1992	Wilms		9,388,837 B1	7/2016	Hanley
D346,950 S	5/1994	Dunn et al.		D767,378 S	9/2016	Sehl
5,351,842 A	10/1994	Remmers		9,609,974 B2	4/2017	Mateer
5,549,407 A	8/1996	Levi et al.		9,687,092 B2	6/2017	Cabanes
5,564,666 A	10/1996	Pfeil		D808,779 S	1/2018	Shoenhair et al.
5,582,303 A	12/1996	Sloan		2006/0021722 A1	2/2006	Nien
D389,035 S *	1/1998	Smiley	D8/363	2006/0054288 A1	3/2006	Bibby et al.
6,216,889 B1	4/2001	Chang		2008/0164393 A1	7/2008	Hung
D455,334 S	4/2002	Ivankovic		2008/0210827 A1	9/2008	Samelson
D459,978 S	7/2002	Hollinger		2009/0032659 A1	2/2009	Goldstein
6,439,520 B1	8/2002	Johnson		2012/0152872 A1	6/2012	Didehvar
D511,088 S	11/2005	Chiu		2012/0261371 A1	10/2012	Baines
D517,402 S	3/2006	Cairns		2012/0284914 A1	11/2012	Bauer
7,128,124 B2	10/2006	Bibby et al.		2013/0099080 A1	4/2013	Baines
7,198,088 B2	4/2007	McMenamin et al.		2013/0292349 A1	11/2013	Bucklew et al.
7,287,734 B2	10/2007	Bell		2013/0341474 A1	12/2013	Baines
7,370,839 B2	5/2008	Putman		2014/0166603 A1	6/2014	Baines
D591,143 S	4/2009	Ernst et al.		2014/0374367 A1	12/2014	Morel
D605,931 S	12/2009	Piersant		2015/0265086 A1	9/2015	Hanley et al.
D605,932 S	12/2009	Piersant		2016/0242586 A1	8/2016	Mateer
D622,578 S	8/2010	Kollman		2017/0071390 A1	3/2017	Moss et al.
D632,951 S	2/2011	McGreevy et al.		2017/0079457 A1	3/2017	Baines
				2017/0332818 A1	11/2017	Jones
				2018/0098656 A1	4/2018	Baines

* cited by examiner

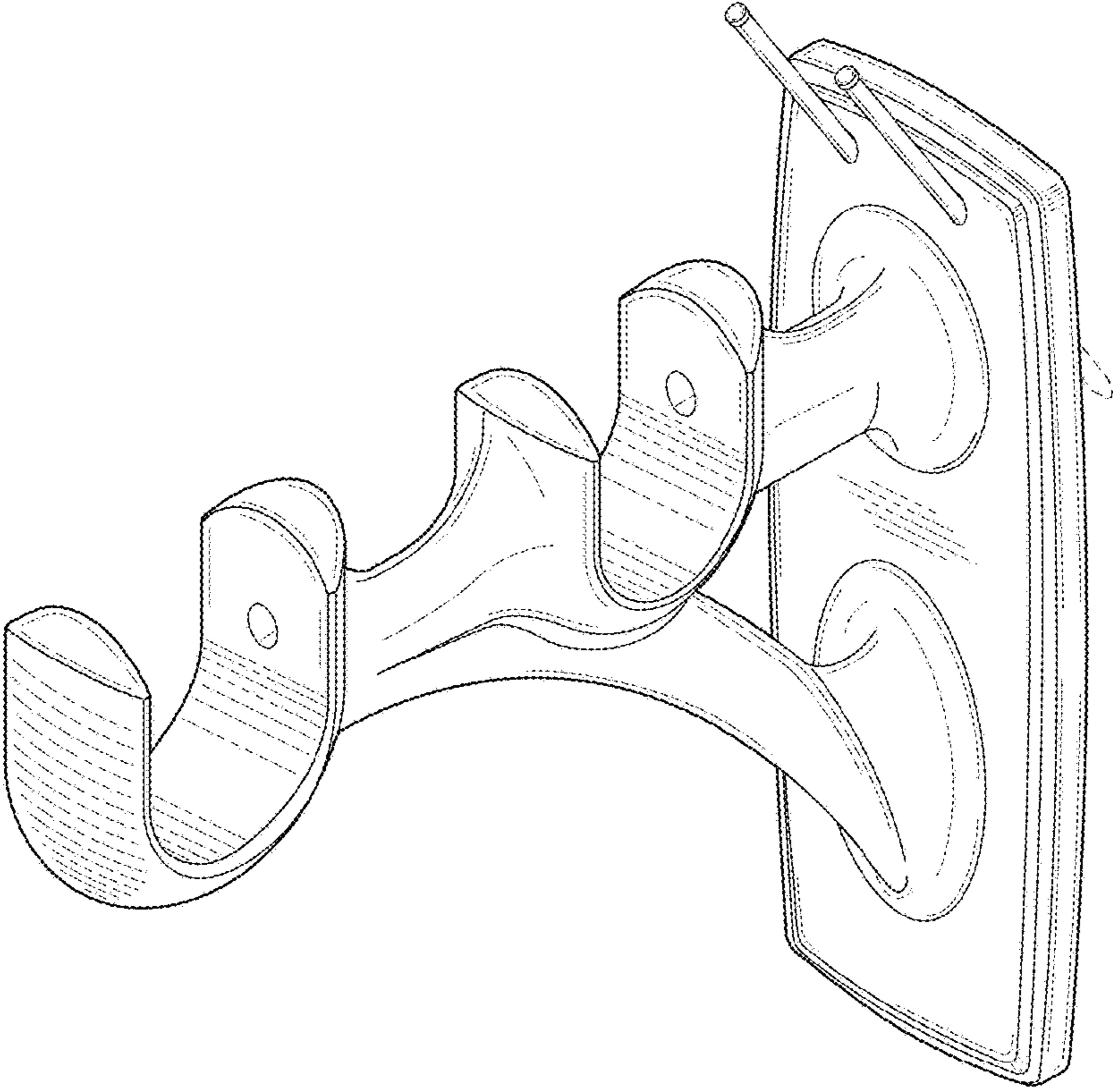


FIG. 1

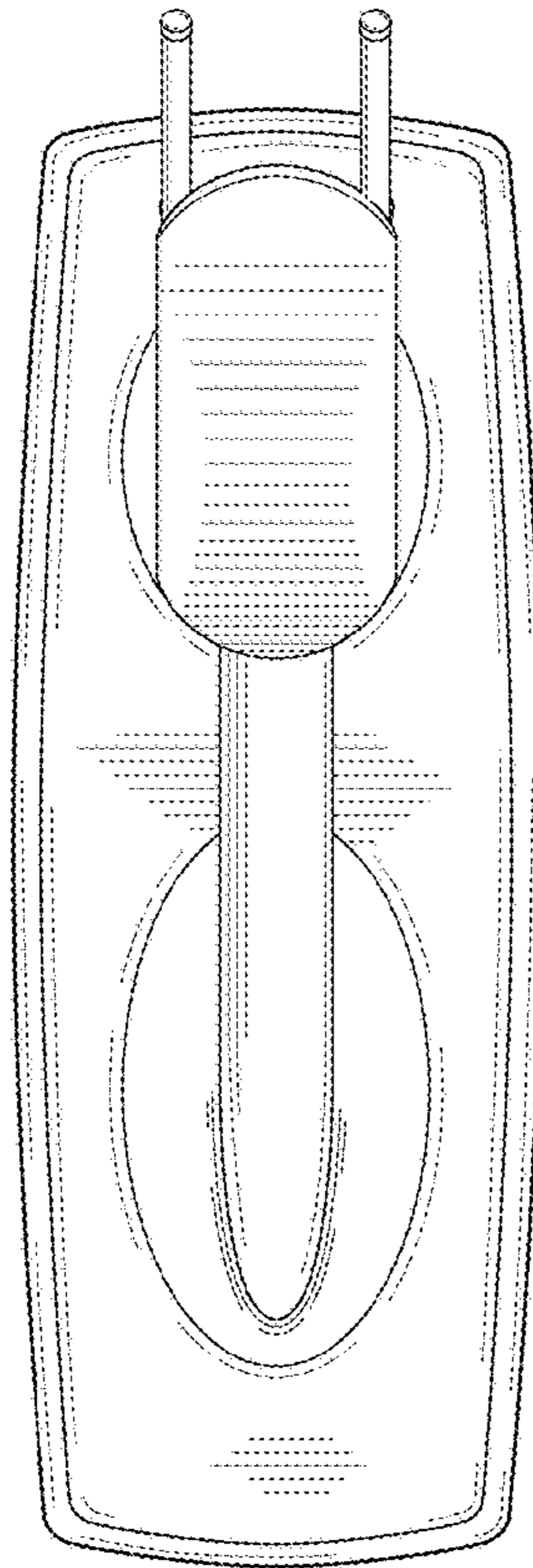


FIG. 2

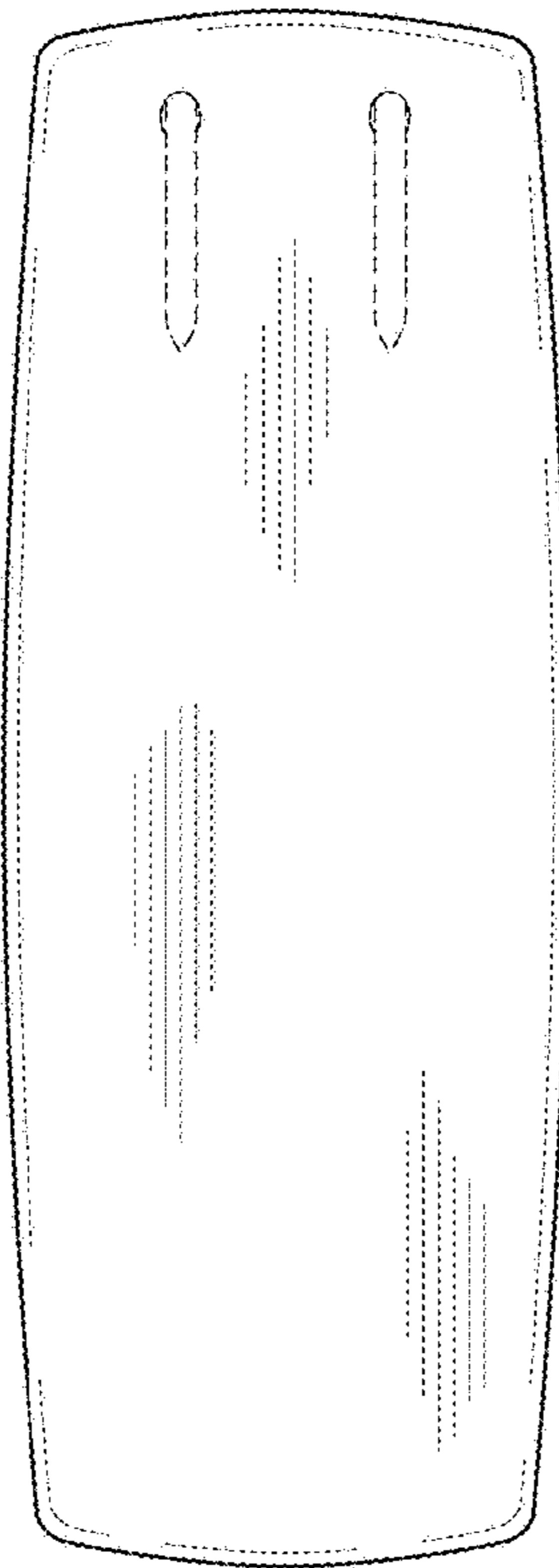


FIG. 3

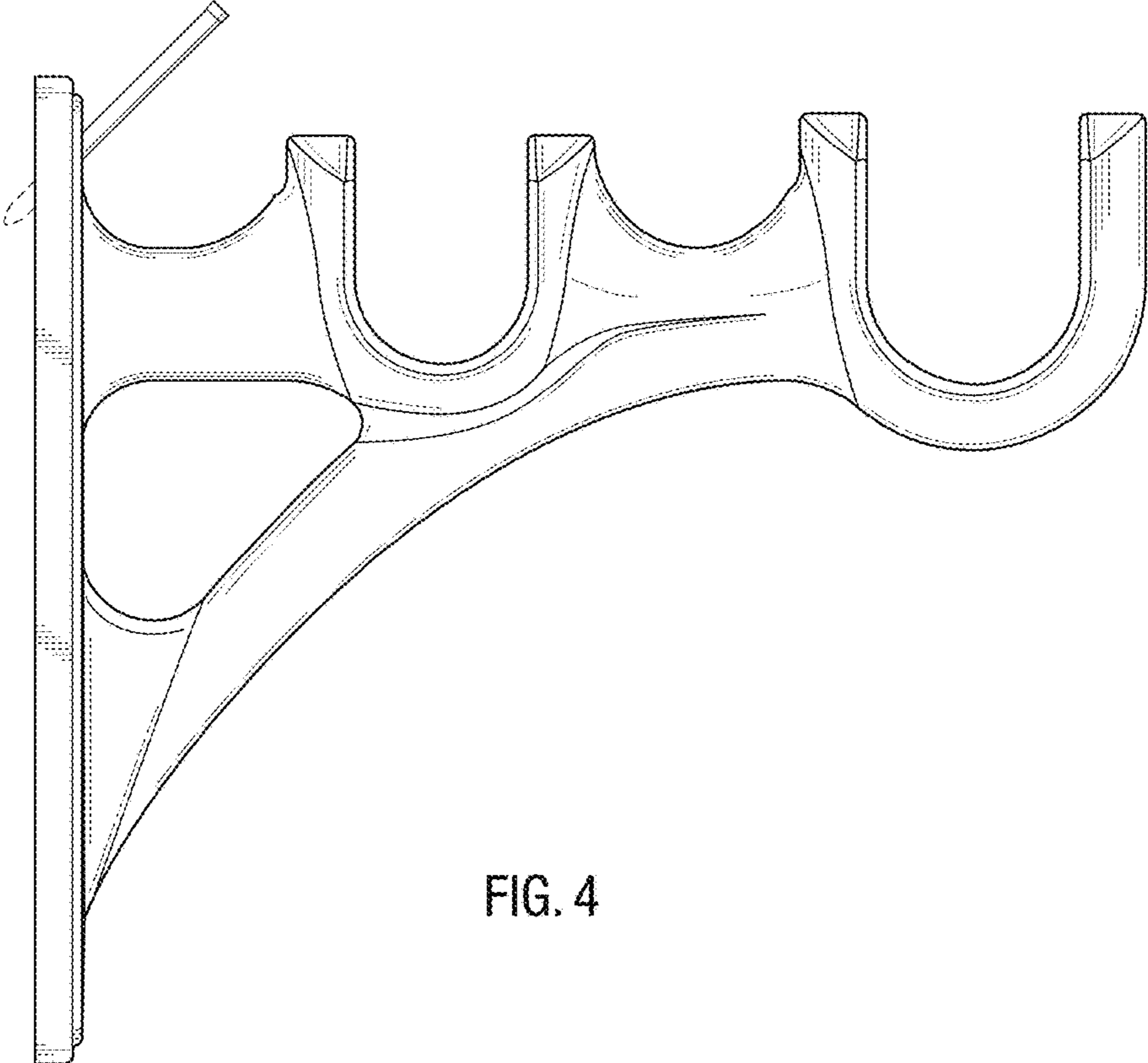


FIG. 4

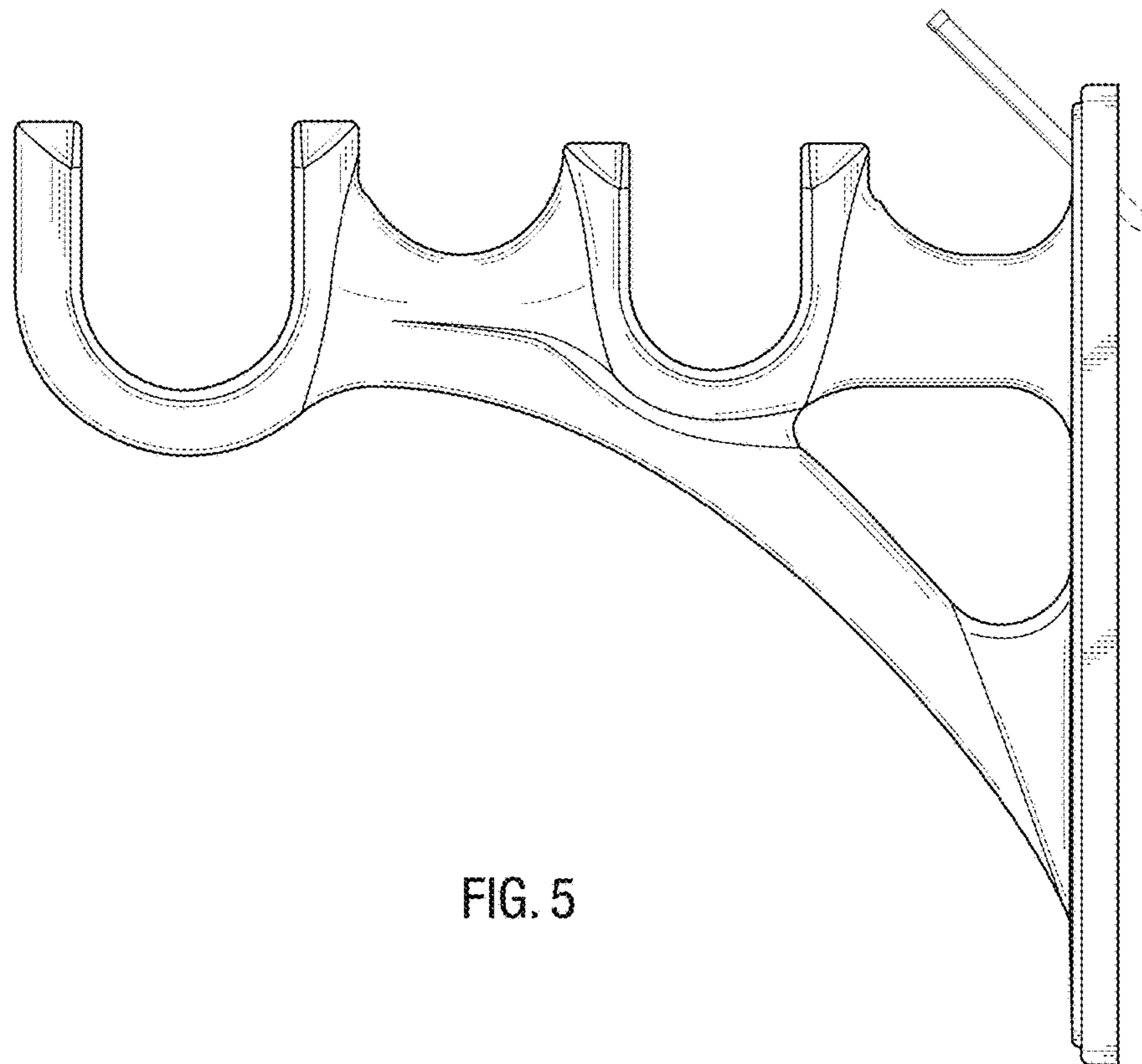


FIG. 5

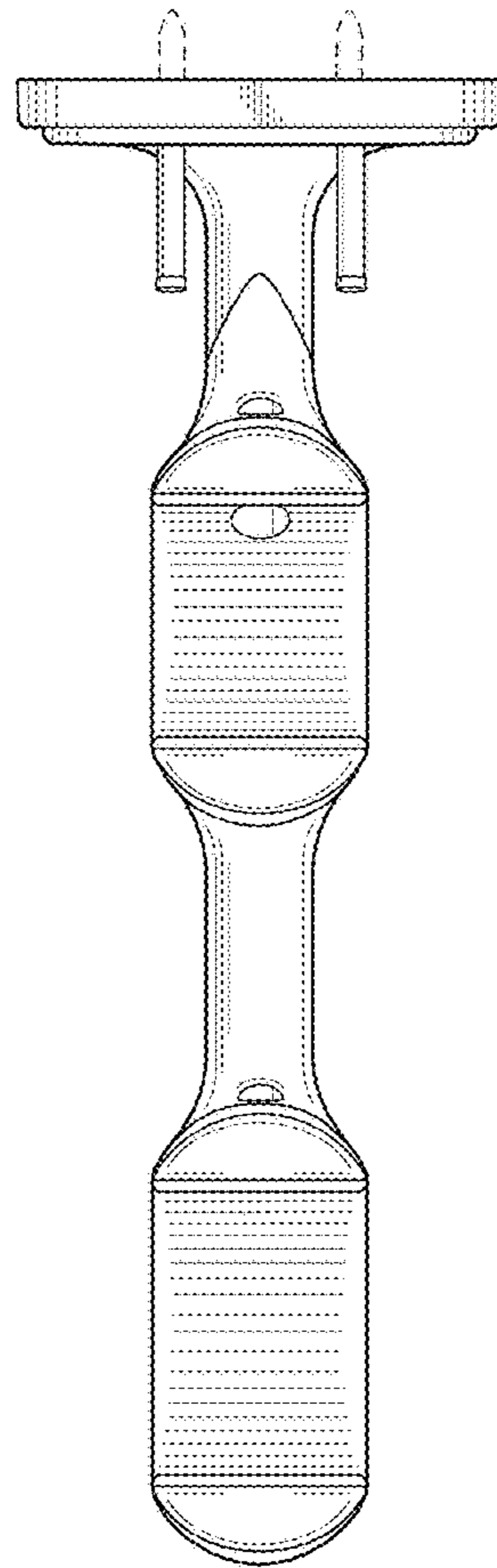


FIG. 6

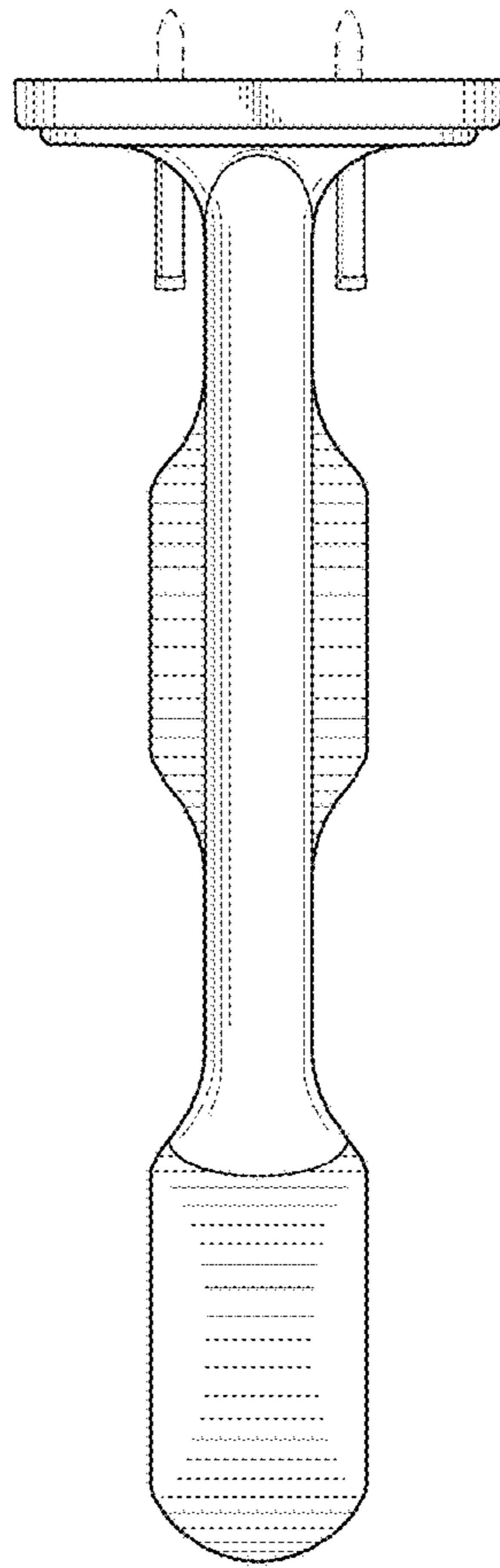


FIG. 7