



US00D858259S

(12) **United States Design Patent** (10) **Patent No.:** **US D858,259 S**
Hanley (45) **Date of Patent:** **** Sep. 3, 2019**

- (54) **ROD BRACKET**
- (71) Applicant: **Kenney Manufacturing Company**,
Warwick, RI (US)
- (72) Inventor: **Michael P. Hanley**, Smithfield, RI (US)
- (73) Assignee: **KENNEY MANUFACTURING COMPANY**, Warwick, RI (US)
- (**) Term: **15 Years**
- (21) Appl. No.: **29/609,177**
- (22) Filed: **Jun. 28, 2017**

917,601 A	4/1909	Heinrichs	
969,051 A *	8/1910	Garraway et al.	A47H 1/13 248/254
1,057,043 A	3/1913	Dohm	
1,147,355 A	7/1915	Zevin	
D60,744 S *	3/1922	Weyman	D8/355
D75,598 S *	6/1928	Priest	D8/363
D76,096 S *	8/1928	Vermillion	D8/363
D76,097 S *	8/1928	Vermillion	D8/363
2,224,008 A	12/1940	Auslander	
2,679,373 A	5/1954	Henley	
2,859,879 A	11/1958	Rogers et al.	
2,908,471 A	10/1959	Hollansworth	
3,506,135 A	4/1970	Klingaman	
3,614,045 A	10/1971	Cegielski, Jr.	
3,669,395 A	6/1972	Gehrke	
3,912,211 A	10/1975	Topf	
D244,668 S *	6/1977	Tegner	D6/324
4,140,294 A	2/1979	Zwarts	
4,162,721 A	7/1979	Moriya	

Related U.S. Application Data

- (63) Continuation-in-part of application No. 15/488,781, filed on Apr. 17, 2017.
- (60) Provisional application No. 62/384,895, filed on Sep. 8, 2016.
- (51) **LOC (12) Cl.** **08-05**
- (52) **U.S. Cl.**
USPC **D8/363**
- (58) **Field of Classification Search**
USPC D8/323, 354, 355, 376, 373, 371, 370,
D8/372, 363; D6/323, 550
CPC A47H 1/142; A47H 1/122; A47H 13/01;
A47H 1/022; A47H 1/102; A47H 1/02;
A47H 2023/003; A47H 1/14; A47H 1/00;
A47H 2001/006; A47H 2001/021; A47H
2001/0215
See application file for complete search history.

References Cited

U.S. PATENT DOCUMENTS

378,087 A	2/1888	Field	
827,627 A *	7/1906	Graham	A47H 1/13 248/254

(Continued)

Primary Examiner — Eliza Z Bennett-Hattan

(74) *Attorney, Agent, or Firm* — Adler Pollock & Sheehan, P.C.

(57) **CLAIM**

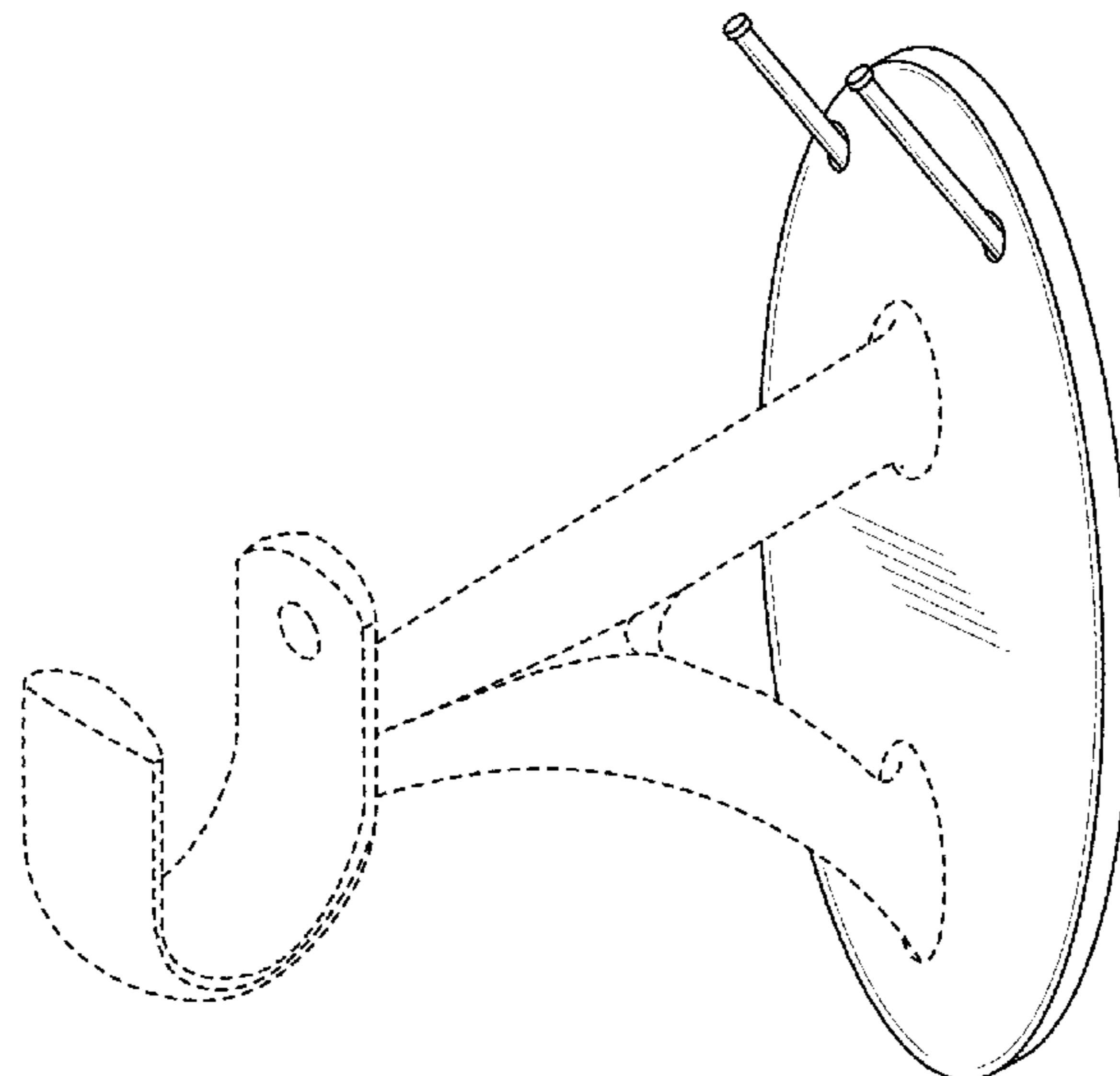
The ornamental design for a rod bracket, as shown and described.

DESCRIPTION

FIG. 1 is a perspective view of the rod bracket;
 FIG. 2 is a front view thereof;
 FIG. 3 is a rear view thereof;
 FIG. 4 is a right side view thereof;
 FIG. 5 is a left side view thereof;
 FIG. 6 is a top view thereof; and,
 FIG. 7 is a bottom view thereof.

The broken lines directly adjacent the solid lines represent the unclaimed boundaries of the claim while all other broken lines represent unclaimed portions of the rod bracket and form no part of the claimed design.

1 Claim, 7 Drawing Sheets



(56)

References Cited

U.S. PATENT DOCUMENTS

D259,241 S *	5/1981	Lynch	D8/363	8,056,873 B1	11/2011	Hanley et al.	
4,325,528 A	4/1982	Martin		8,231,093 B2	7/2012	Tran	
D265,285 S	7/1982	Englert, Jr.		D678,754 S	3/2013	Burr	
4,381,578 A	5/1983	Glejf		8,418,975 B1	4/2013	Burr	
D279,450 S *	7/1985	Chap	D6/325	8,500,078 B2	8/2013	Castellanos	
4,555,432 A	11/1985	Bossons		D700,827 S *	3/2014	Starck	D8/367
D281,575 S *	12/1985	Chap	D6/325	8,678,068 B1	3/2014	Hobart et al.	
D285,410 S	9/1986	Webber		D707,535 S *	6/2014	Burr	D8/363
D290,224 S	6/1987	Skinner		8,740,171 B2	6/2014	Crescenzo	
D290,931 S	7/1987	Powell		8,814,114 B2	8/2014	Baines	
4,684,095 A	8/1987	Athey		D714,622 S *	10/2014	Pan	D8/367
4,898,409 A	2/1990	Carter		D715,133 S *	10/2014	Pan	D8/367
D307,539 S *	5/1990	Goodman	D8/367	D715,625 S *	10/2014	Pan	D8/367
D315,862 S	4/1991	Specker, Jr.		D715,626 S *	10/2014	Pan	D8/367
D316,031 S *	4/1991	Goodman	D8/363	8,851,435 B1	10/2014	Bastien et al.	
5,011,030 A	4/1991	Alaurent		8,925,747 B1	1/2015	Hanley	
5,069,412 A	12/1991	Jacob		D742,726 S *	11/2015	Glass	D8/367
D327,642 S	7/1992	Foubister		D760,068 S *	6/2016	Sehl	D8/367
D329,372 S	9/1992	Wilms		9,388,837 B1	7/2016	Hanley	
D346,950 S *	5/1994	Dunn	D8/367	D767,378 S *	9/2016	Sehl	D8/373
5,351,842 A	10/1994	Remmers		9,609,974 B2	4/2017	Mateer	
5,549,407 A	8/1996	Levi et al.		9,687,092 B2	6/2017	Cabanes	
5,564,666 A	10/1996	Pfeil		D808,779 S *	1/2018	Shoenhair	D8/367
5,582,303 A	12/1996	Sloan		2006/0021722 A1	2/2006	Nien	
D389,035 S *	1/1998	Smiley	D8/363	2006/0054288 A1	3/2006	Bibby et al.	
6,216,889 B1	4/2001	Chang		2008/0164393 A1	7/2008	Hung	
D455,334 S	4/2002	Ivankovic		2008/0210827 A1	9/2008	Samelson	
D459,978 S	7/2002	Hollinger		2009/0032659 A1	2/2009	Goldstein	
6,439,520 B1	8/2002	Johnson		2012/0152872 A1	6/2012	Didehvar	
D511,088 S *	11/2005	Chiu	D8/367	2012/0261371 A1	10/2012	Baines	
D517,402 S	3/2006	Cairns		2012/0284914 A1	11/2012	Bauer	
7,128,124 B2	10/2006	Bibby et al.		2013/0099080 A1	4/2013	Baines	
7,198,088 B2	4/2007	McMenamin et al.		2013/0292349 A1	11/2013	Bucklew et al.	
7,287,734 B2	10/2007	Bell		2013/0341474 A1	12/2013	Baines	
7,370,839 B2	5/2008	Putman		2014/0166603 A1	6/2014	Baines	
D591,143 S *	4/2009	Ernst	D8/370	2014/0374367 A1	12/2014	Morel	
D605,931 S	12/2009	Piersant		2015/0265086 A1	9/2015	Hanley et al.	
D605,932 S	12/2009	Piersant		2016/0242586 A1	8/2016	Mateer	
D622,578 S	8/2010	Kollman		2017/0071390 A1	3/2017	Moss et al.	
D632,951 S *	2/2011	McGreevy	D8/367	2017/0079457 A1	3/2017	Baines	
				2017/0332818 A1	11/2017	Jones	
				2018/0098656 A1	4/2018	Baines	

* cited by examiner

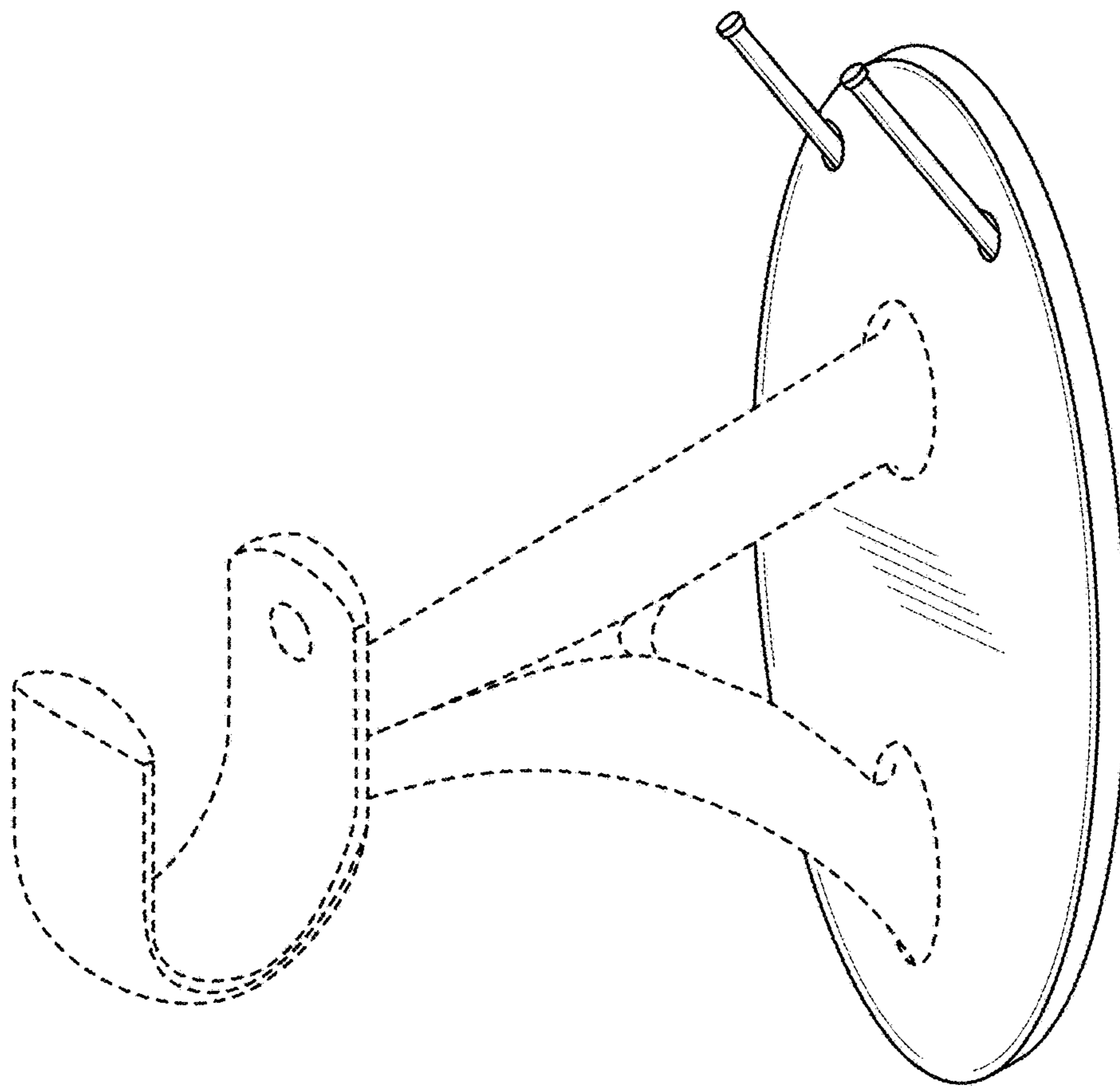


FIG. 1

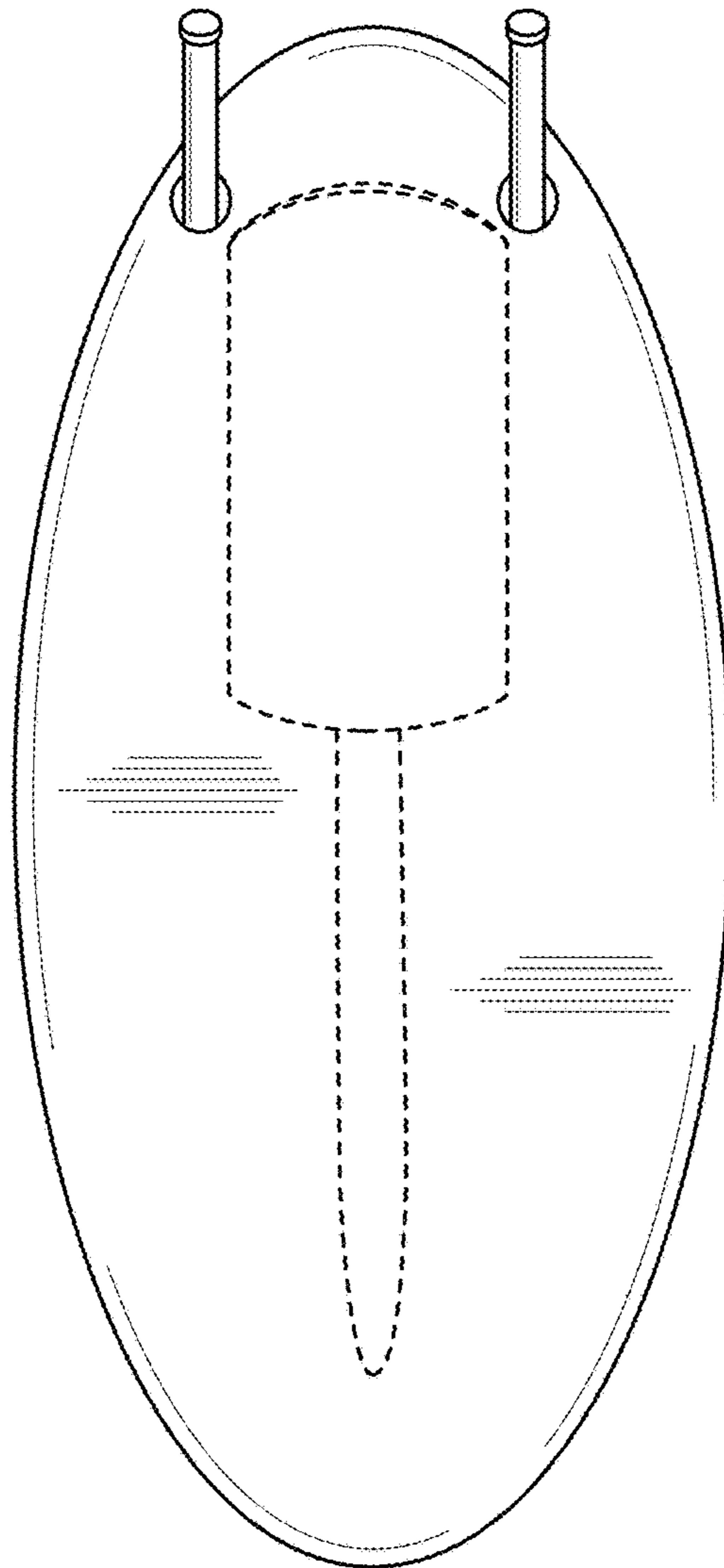


FIG. 2

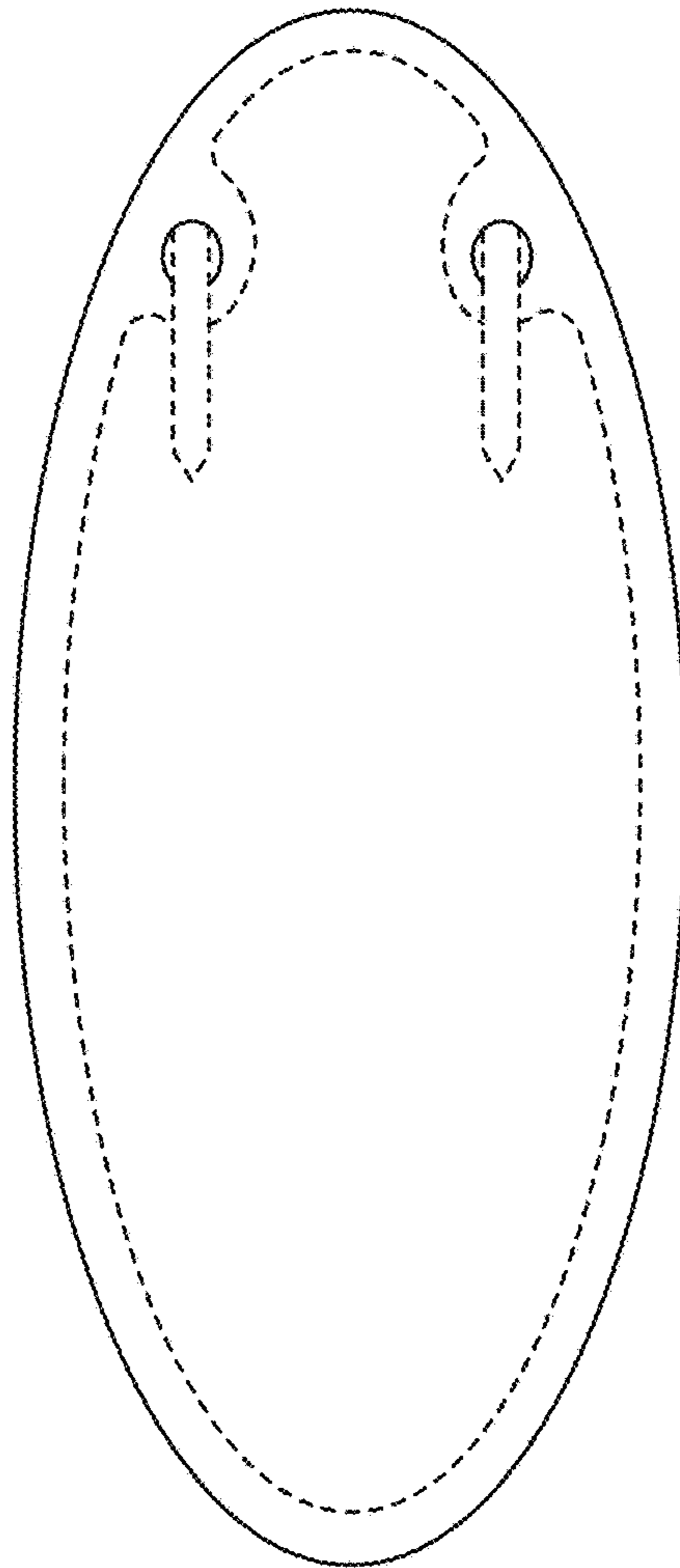


FIG. 3

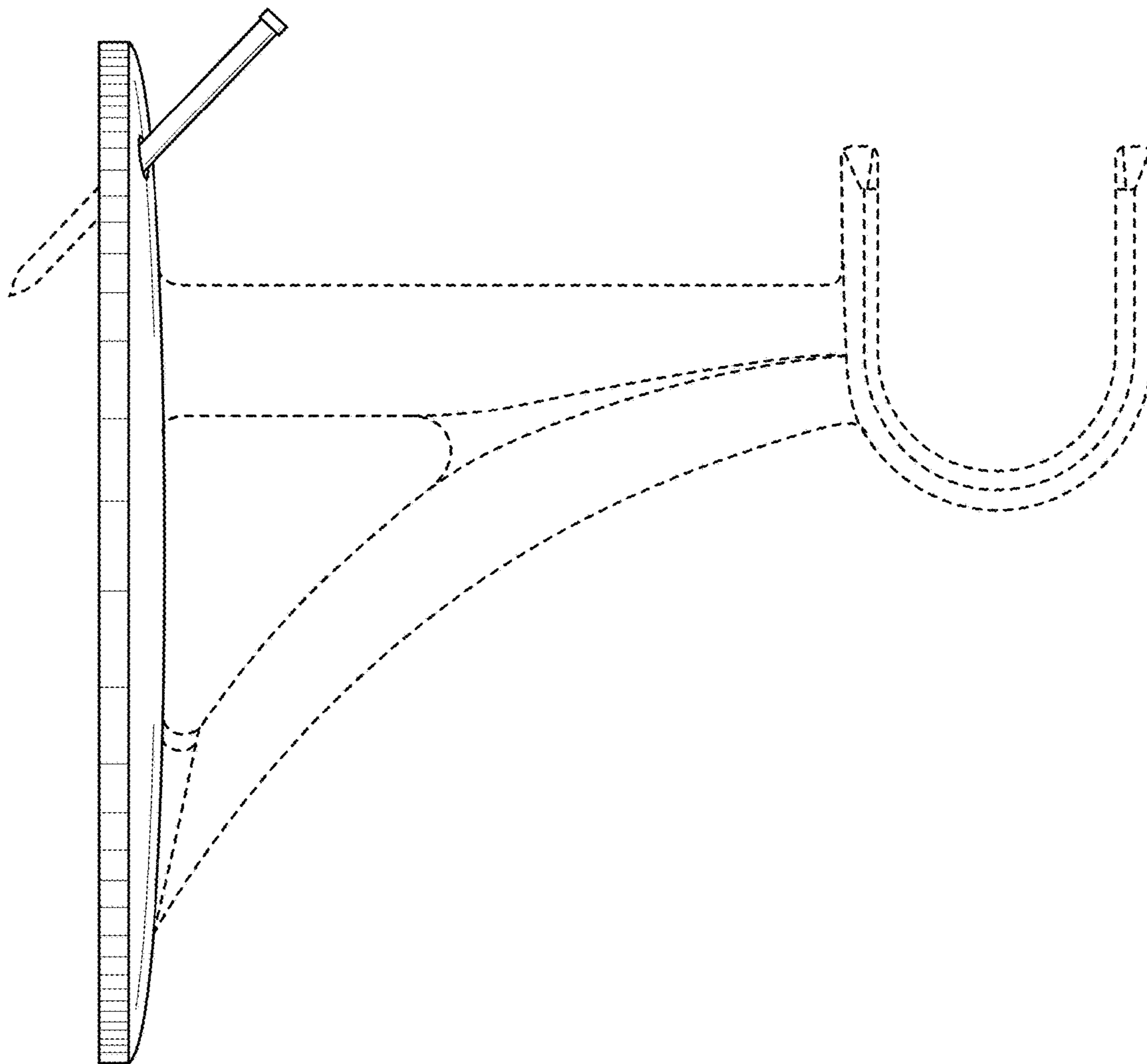


FIG. 4

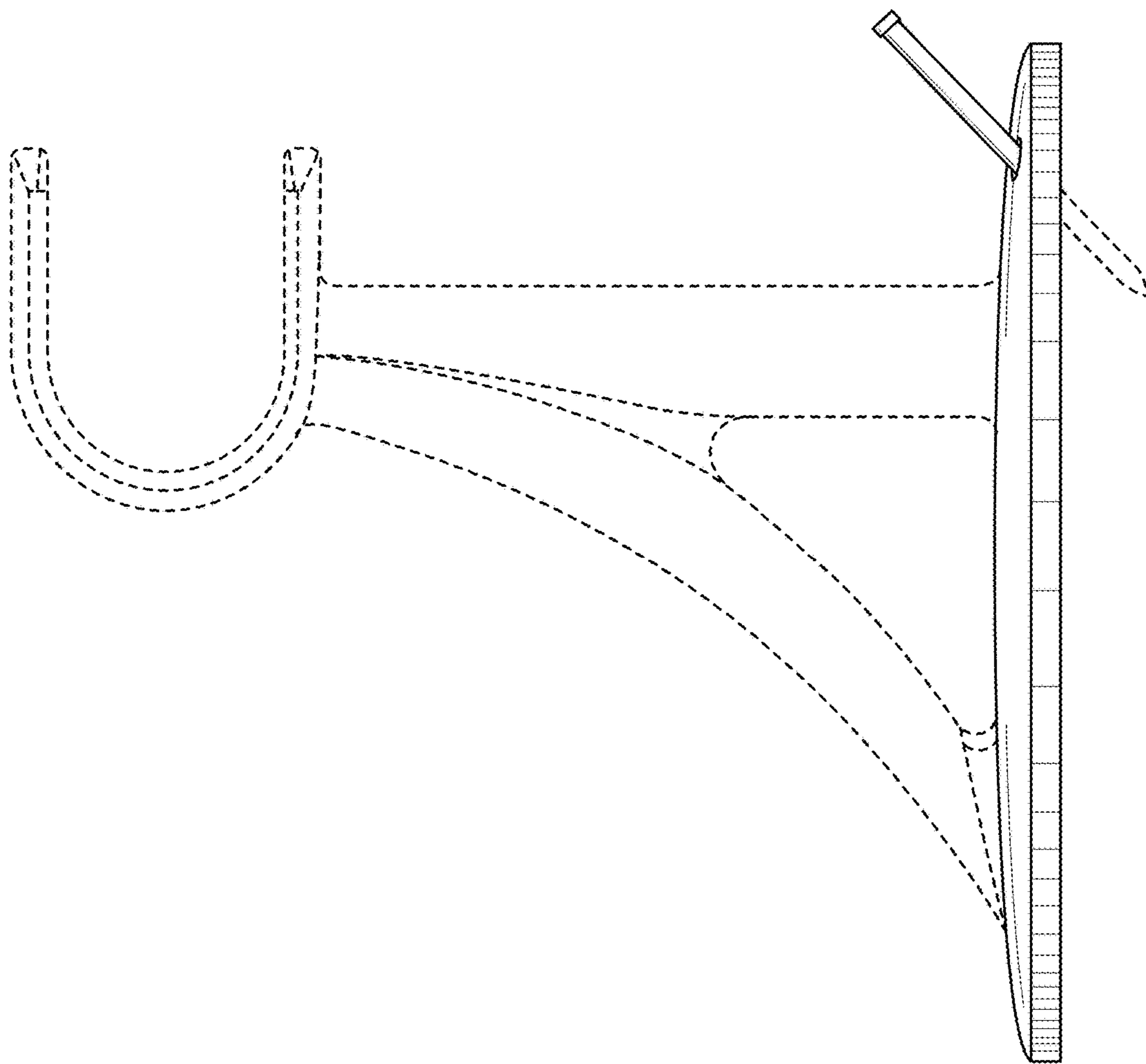


FIG. 5

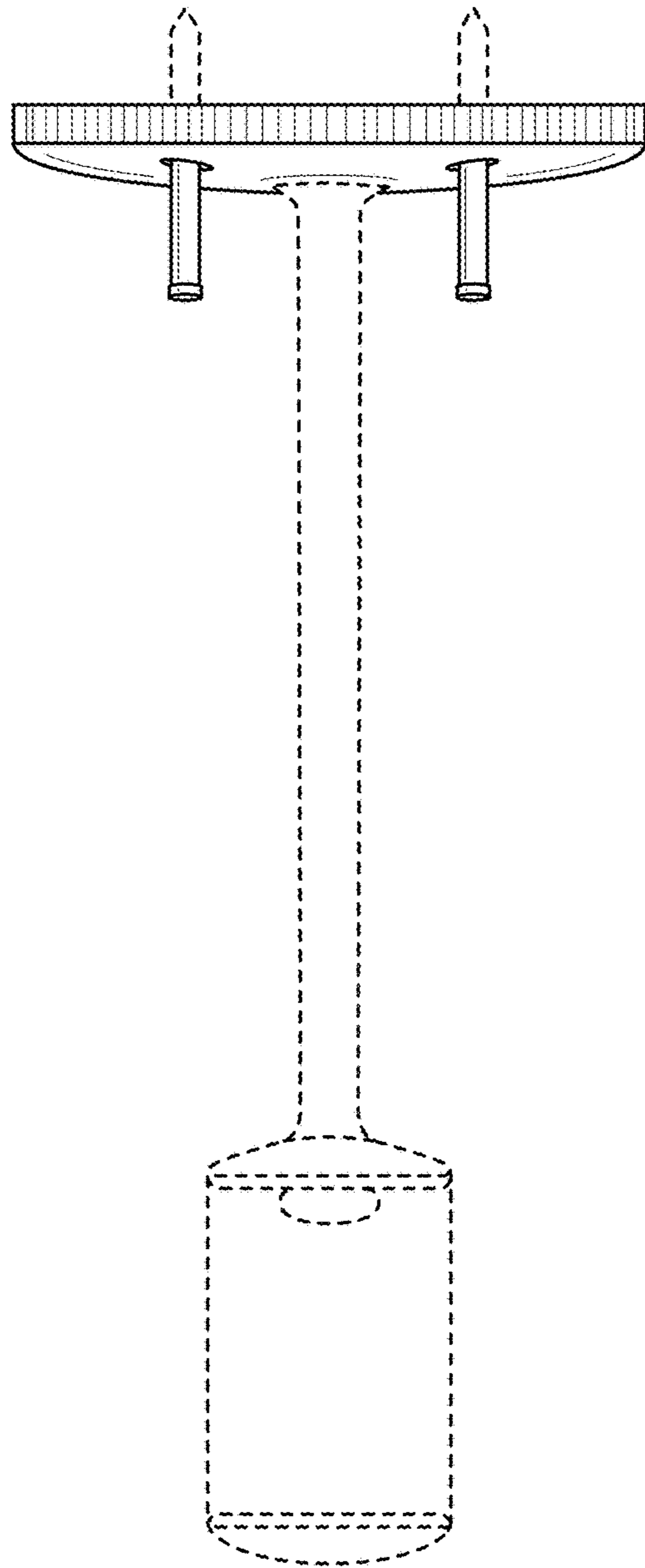


FIG. 6

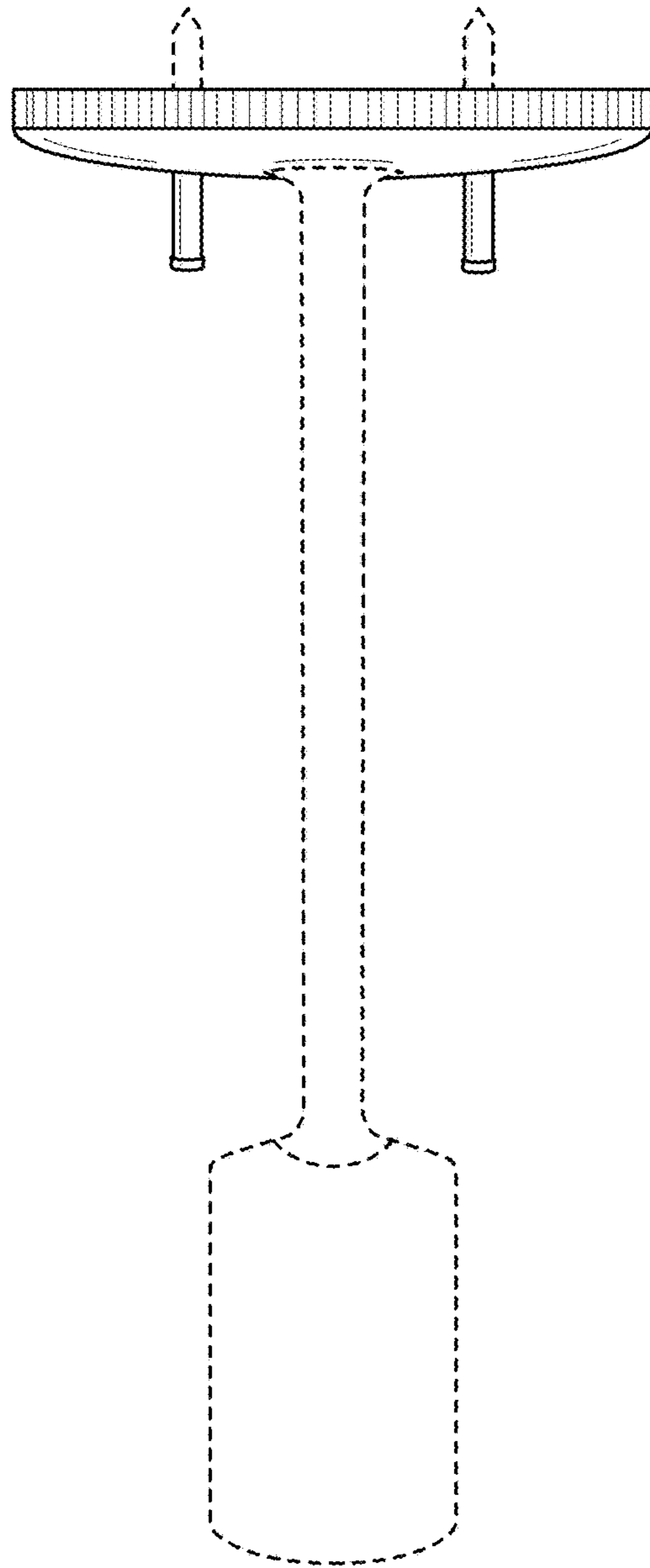


FIG. 7