



US00D858258S

(12) **United States Design Patent**
Forsythe

(10) **Patent No.:** **US D858,258 S**

(45) **Date of Patent:** **** Sep. 3, 2019**

(54) **GUIDE DEVICE**

(71) Applicant: **Pinnacle Product Solutions**, Northville, MI (US)

(72) Inventor: **Margarita Forsythe**, Northville, MI (US)

(73) Assignee: **Pinnacle Product Solutions**, Northville, MI (US)

(**) Term: **15 Years**

(21) Appl. No.: **29/647,676**

(22) Filed: **May 15, 2018**

(51) **LOC (12) Cl.** **09-06**

(52) **U.S. Cl.**
USPC **D8/356; D8/367**

(58) **Field of Classification Search**
USPC D8/356, 354, 349, 360, 367; D30/139;
D11/218; 24/129 R

See application file for complete search history.

(56) **References Cited**

U.S. PATENT DOCUMENTS

6,585,208 B1 * 7/2003 Fraser A47H 1/10
248/251
D543,834 S * 6/2007 Worthy D8/354
D584,597 S * 1/2009 Menard D8/354

D672,224 S * 12/2012 Brinson D8/367
D720,986 S * 1/2015 Citterio D3/260
D729,043 S * 5/2015 Poppell D8/354
D759,469 S * 6/2016 Garland D8/367
D789,526 S * 6/2017 Serafini D24/128
D801,155 S * 10/2017 Kuniyoshi D8/367
D804,202 S * 12/2017 Proctor D6/349
D818,517 S * 5/2018 Szarawarski D16/242
D823,672 S * 7/2018 Mogensen D8/356
D826,033 S * 8/2018 Feng D8/356
D847,252 S * 4/2019 Stringham D17/20
D848,823 S * 5/2019 Graykowski D8/356

* cited by examiner

Primary Examiner — Cynthia R Underwood

(74) *Attorney, Agent, or Firm* — Burriss Law, PLLC

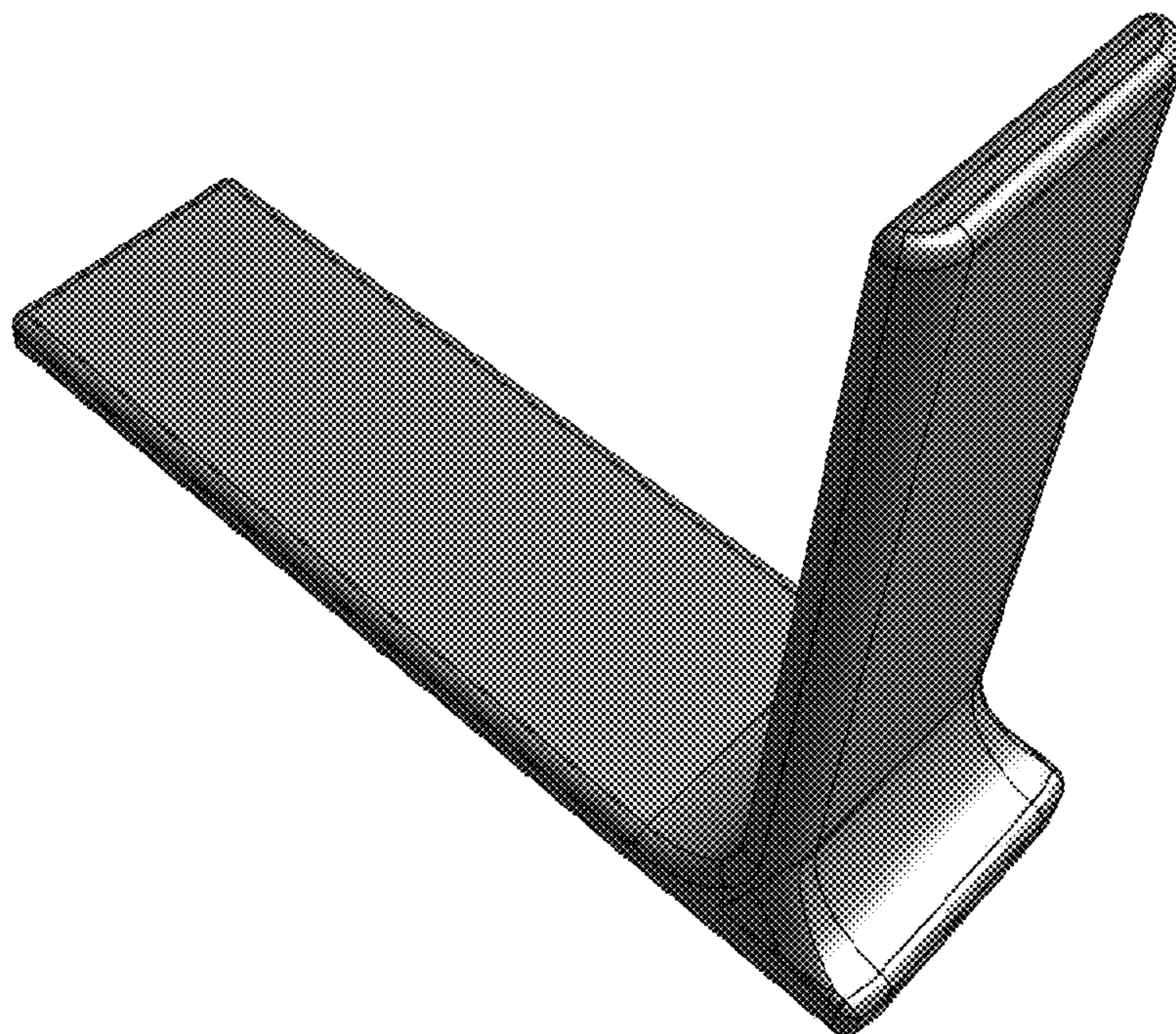
(57) **CLAIM**

The ornamental design for a guide device, as shown and described.

DESCRIPTION

FIG. 1 is a top front perspective view of the guide device;
FIG. 2 is a front view thereof;
FIG. 3 is a left side view thereof;
FIG. 4 is a right side view thereof;
FIG. 5 is a top view thereof;
FIG. 6 is a bottom view thereof; and,
FIG. 7 is a top rear perspective view thereof.

1 Claim, 7 Drawing Sheets



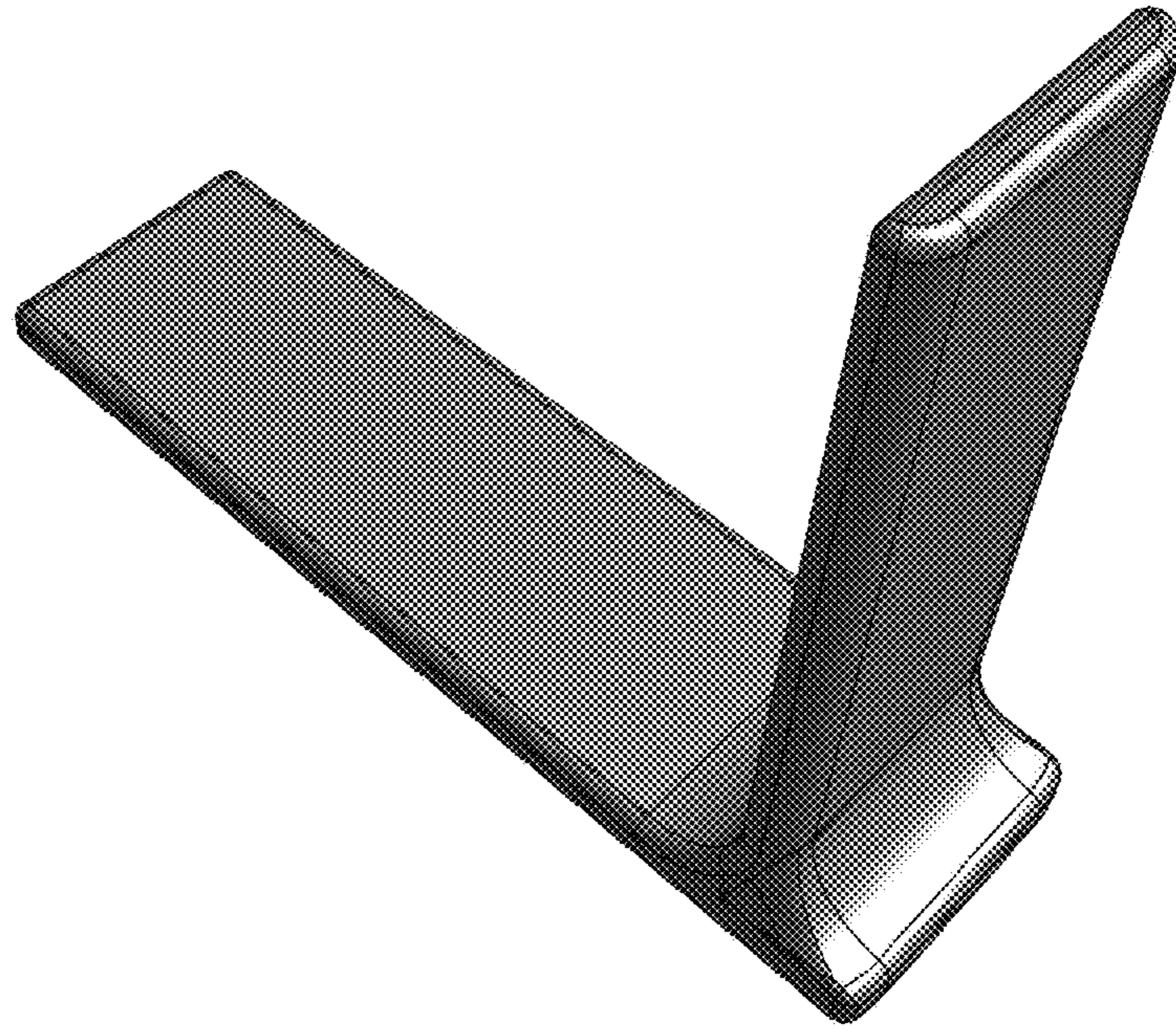


FIG. 1



FIG. 2



FIG. 3

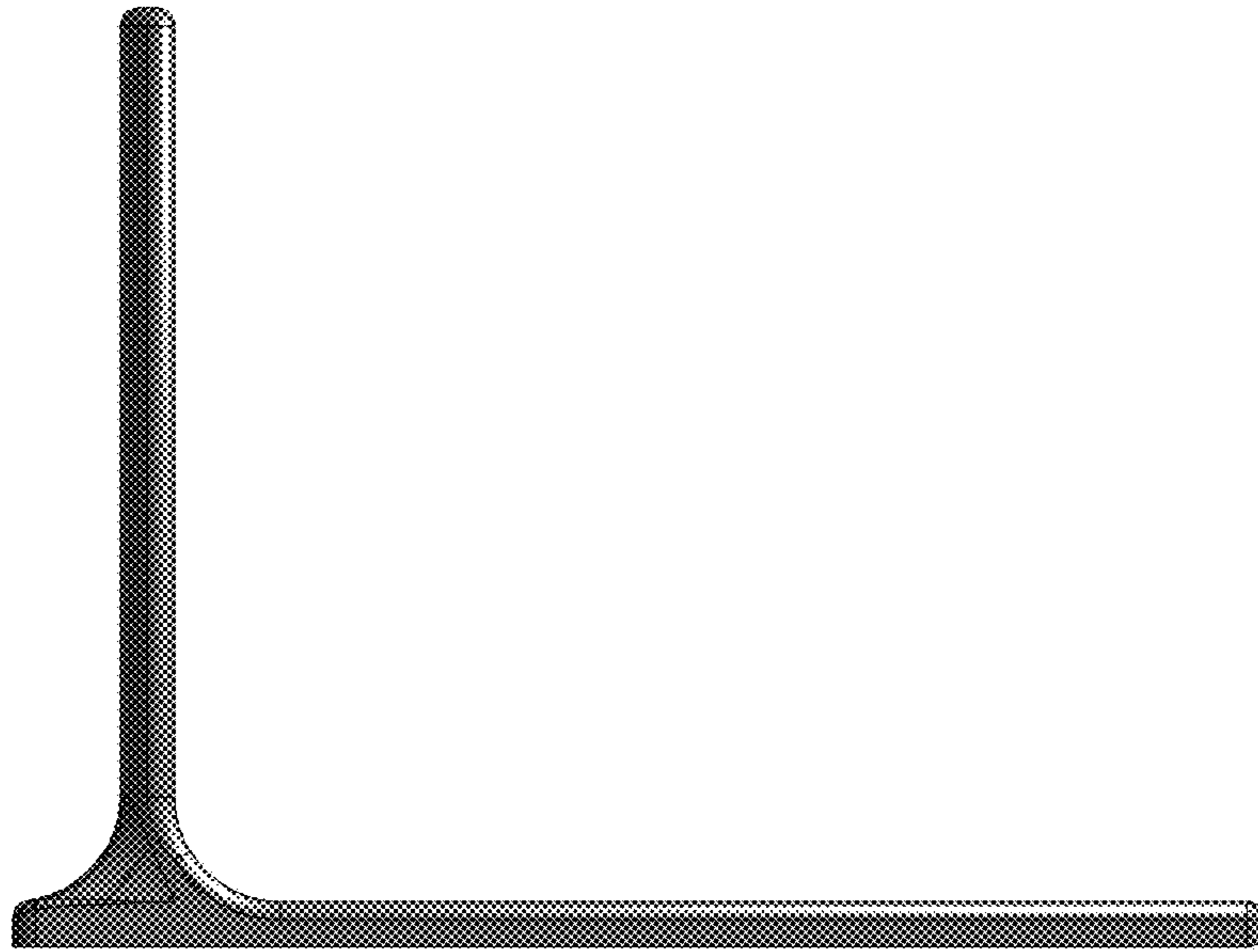


FIG. 4

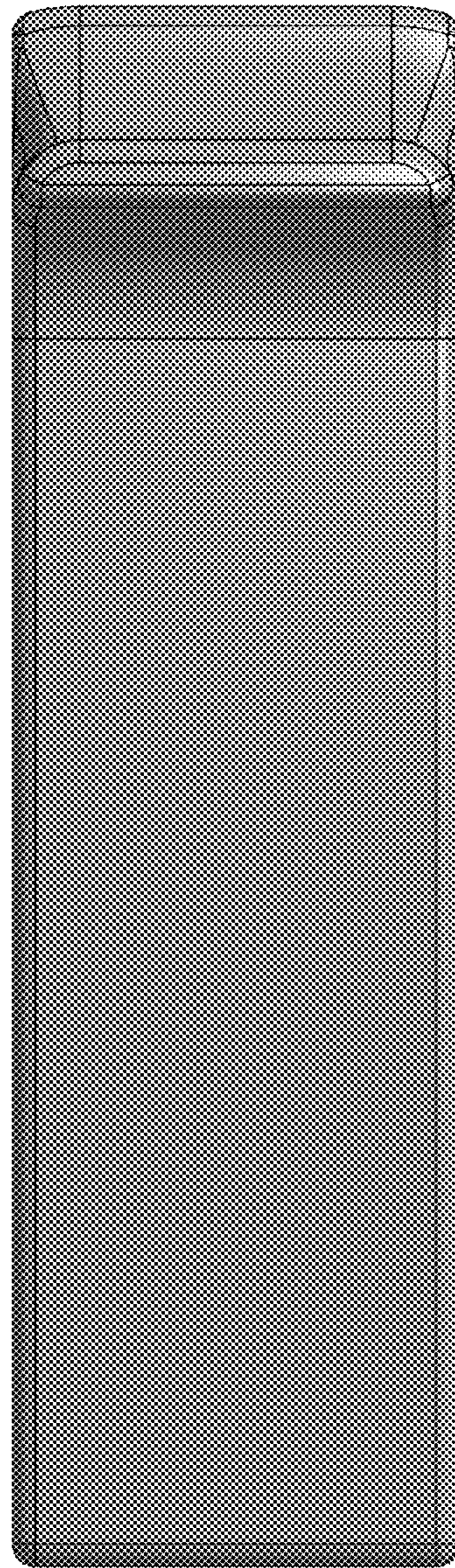


FIG. 5

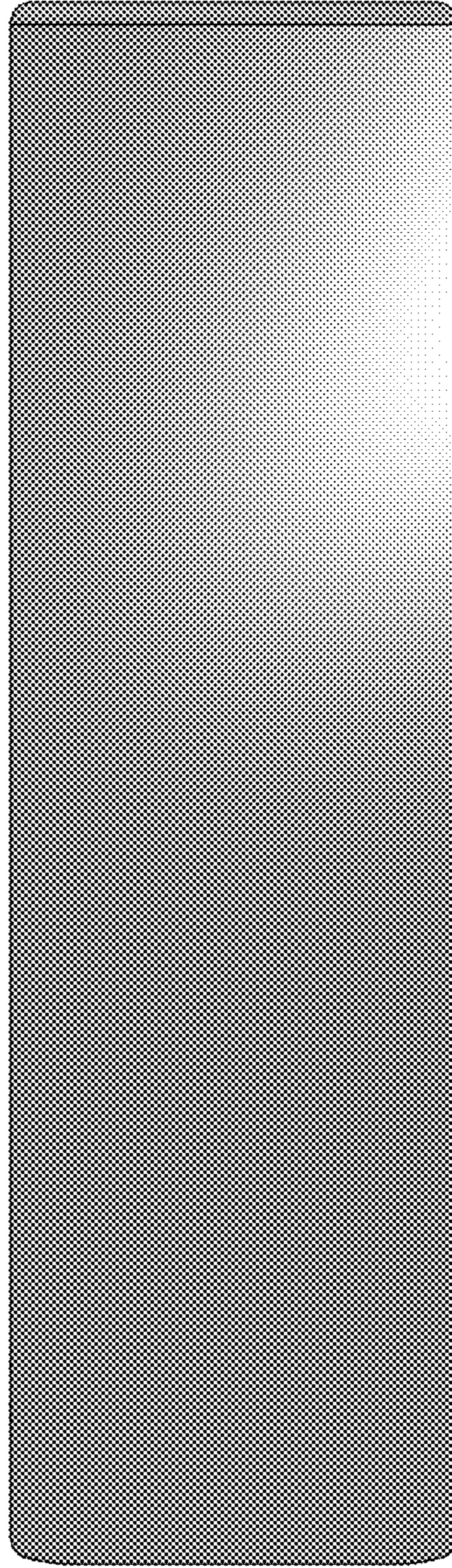


FIG. 6

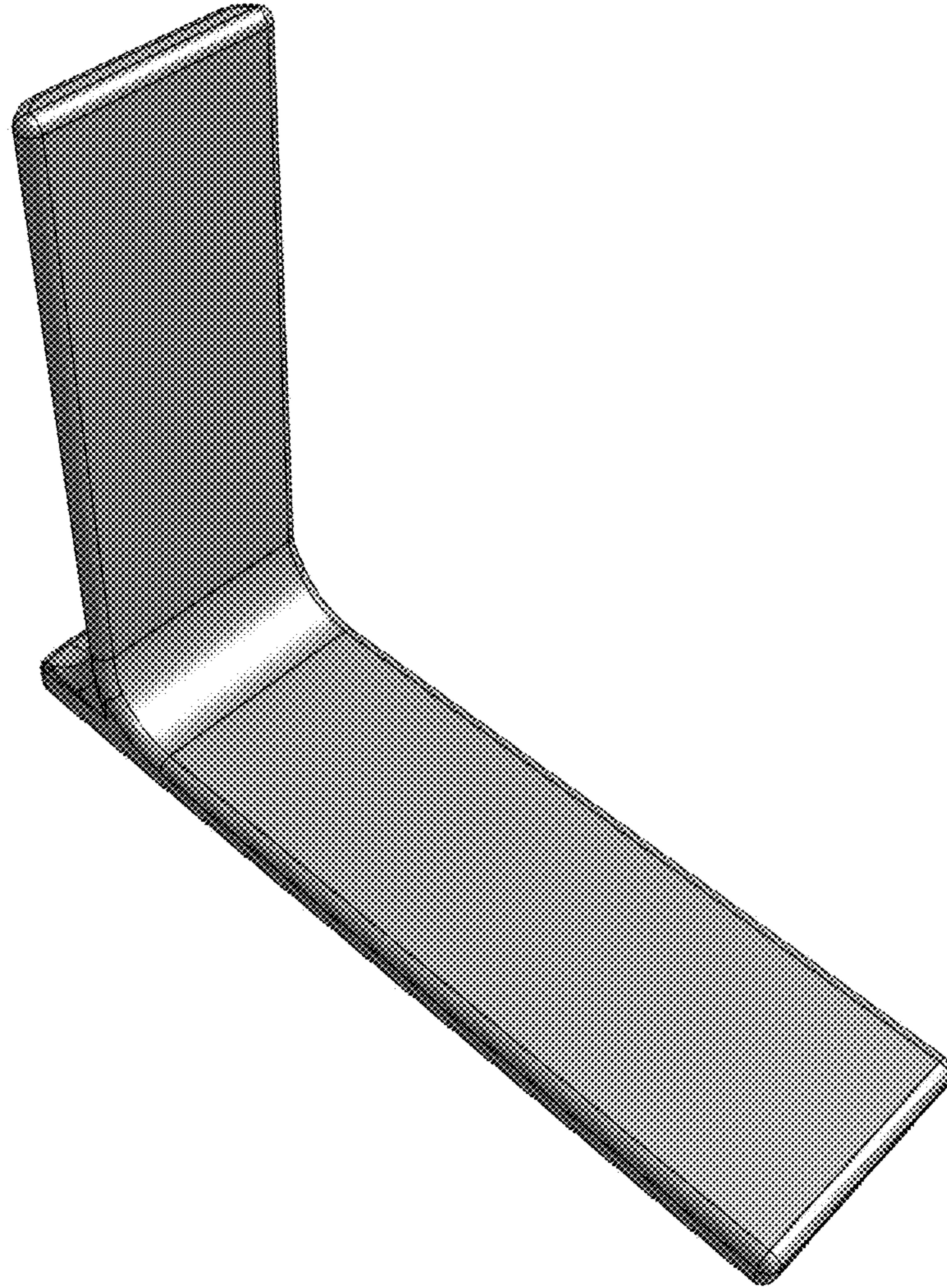


FIG. 7