



US00D858257S

(12) **United States Design Patent** (10) **Patent No.:** **US D858,257 S**
Yang (45) **Date of Patent:** **** Sep. 3, 2019**

(54) **ADJUSTABLE HOLDER**
(71) Applicant: **Weiyu Yang, Jieyang (CN)**
(72) Inventor: **Weiyu Yang, Jieyang (CN)**
(**) Term: **15 Years**
(21) Appl. No.: **29/633,057**
(22) Filed: **Jan. 11, 2018**
(51) **LOC (12) Cl.** **08-05**
(52) **U.S. Cl.**
USPC **D8/355; D14/447**
(58) **Field of Classification Search**
USPC 224/275, 545, 548, 552, 554, 555;
D8/355; D14/238.1, 238, 375, 377, 447
CPC B60R 2011/0017; B60R 2011/0071; B60R
2011/0059
See application file for complete search history.

(56) **References Cited**
U.S. PATENT DOCUMENTS
D274,457 S * 6/1984 Haug D23/213
D684,980 S * 6/2013 Chun D14/447
8,561,863 B2 * 10/2013 LaColla B60R 11/02
224/275
D739,410 S * 9/2015 Chun D14/447
9,174,587 B2 * 11/2015 Fan B60R 11/02

D753,643 S * 4/2016 Kim D14/253
D798,872 S * 10/2017 Gonen D14/447
9,834,150 B1 * 12/2017 Song B60R 7/06
9,877,574 B1 * 1/2018 Chih A46B 17/00
D832,611 S * 11/2018 McKenna D6/540
D842,850 S * 3/2019 Tang D14/253
2011/0006091 A1 * 1/2011 Schafer B60R 11/00
224/282
2012/0312847 A1 * 12/2012 LaColla B60R 11/02
224/275

* cited by examiner

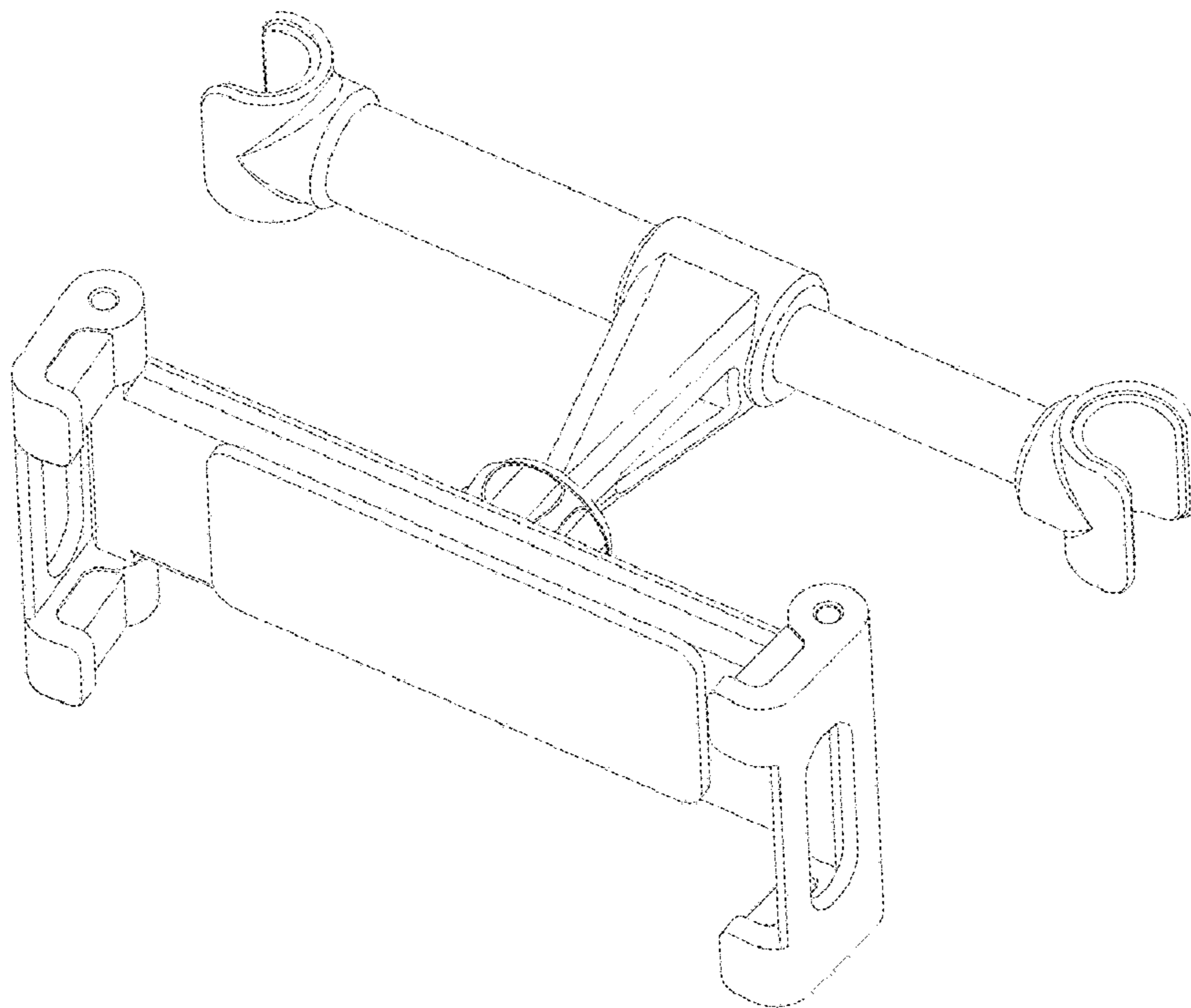
Primary Examiner — Janice Hallmark
Assistant Examiner — Harold E Blackwell, II
(74) *Attorney, Agent, or Firm* — Leong C. Lei

(57) **CLAIM**
The ornamental design for an adjustable holder, as shown and described.

DESCRIPTION

FIG. 1 is a front view of an adjustable holder showing my present design;
FIG. 2 is a rear view thereof;
FIG. 3 is a left view thereof;
FIG. 4 is a right side view thereof;
FIG. 5 is a top side view thereof;
FIG. 6 is a bottom view thereof; and,
FIG. 7 is a perspective view thereof.

1 Claim, 7 Drawing Sheets



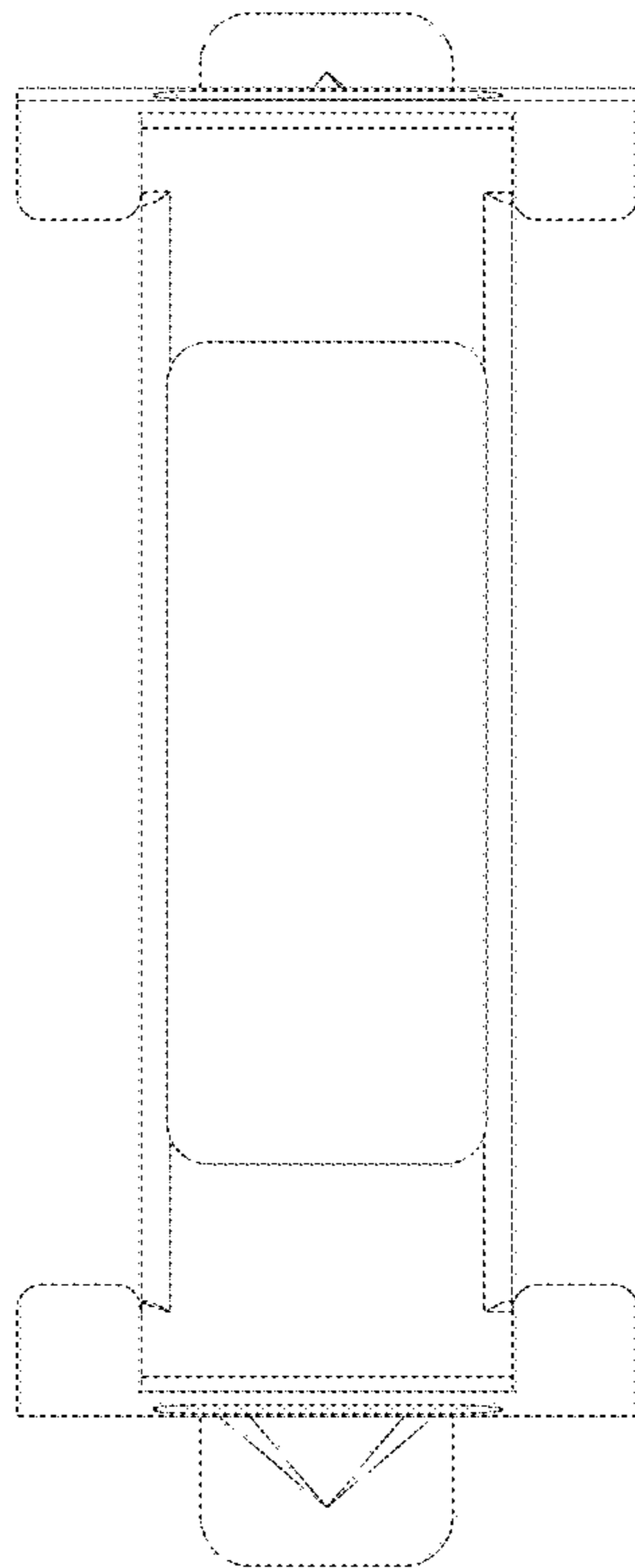


FIG. 1

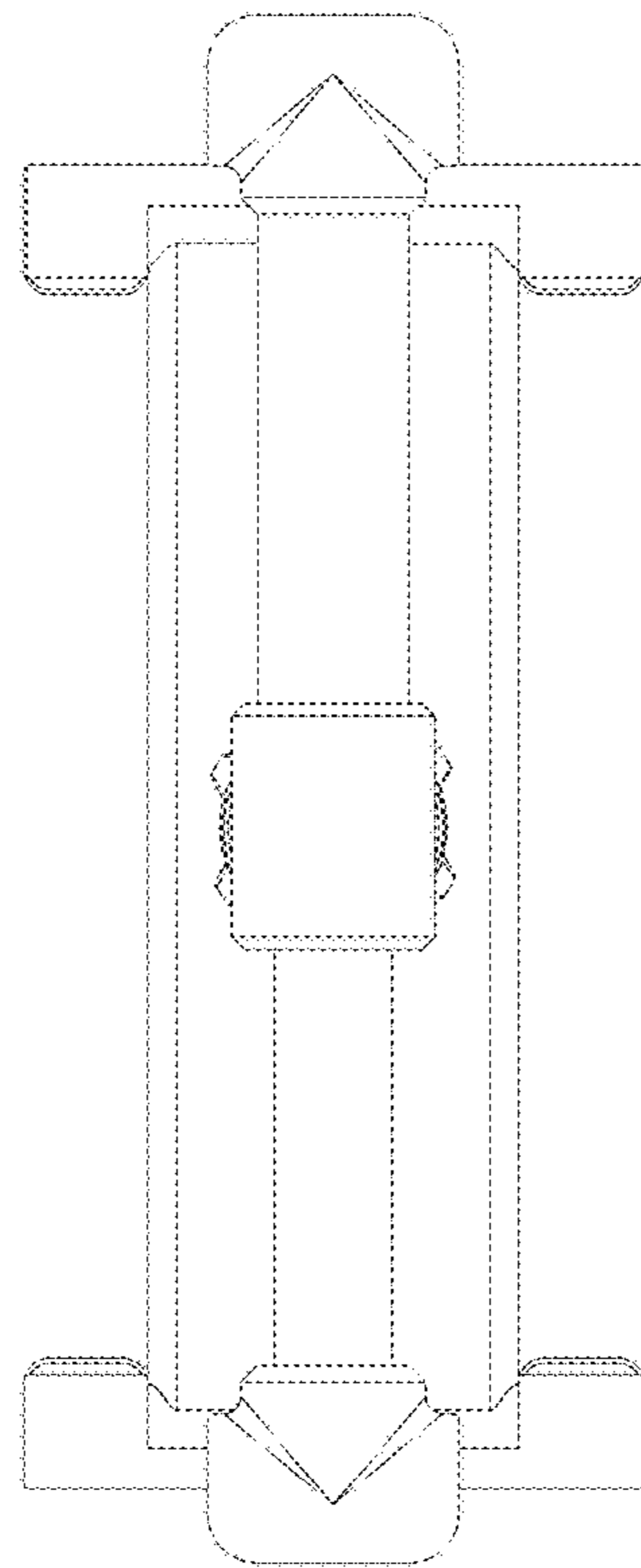


FIG. 2

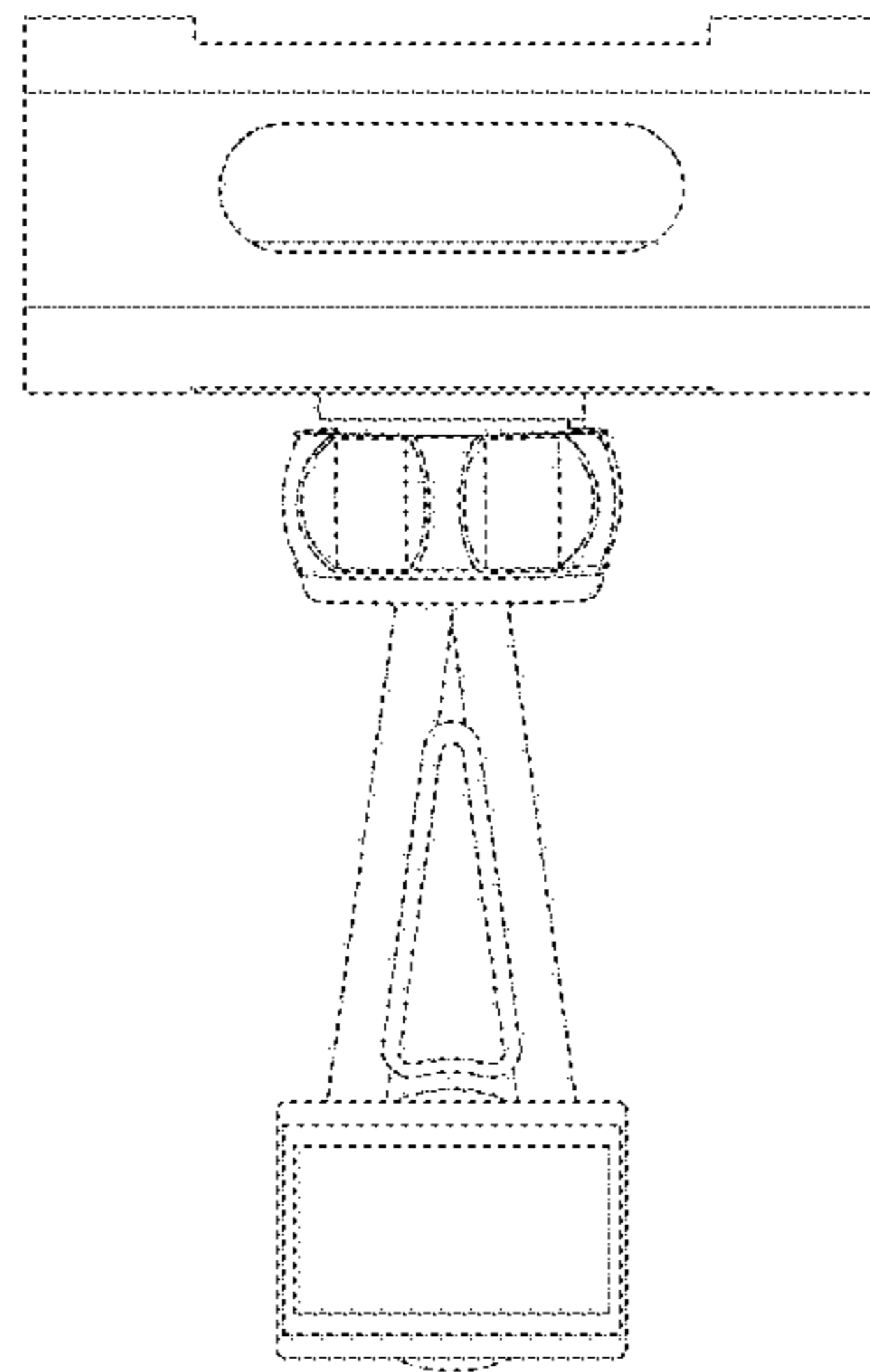


FIG. 3

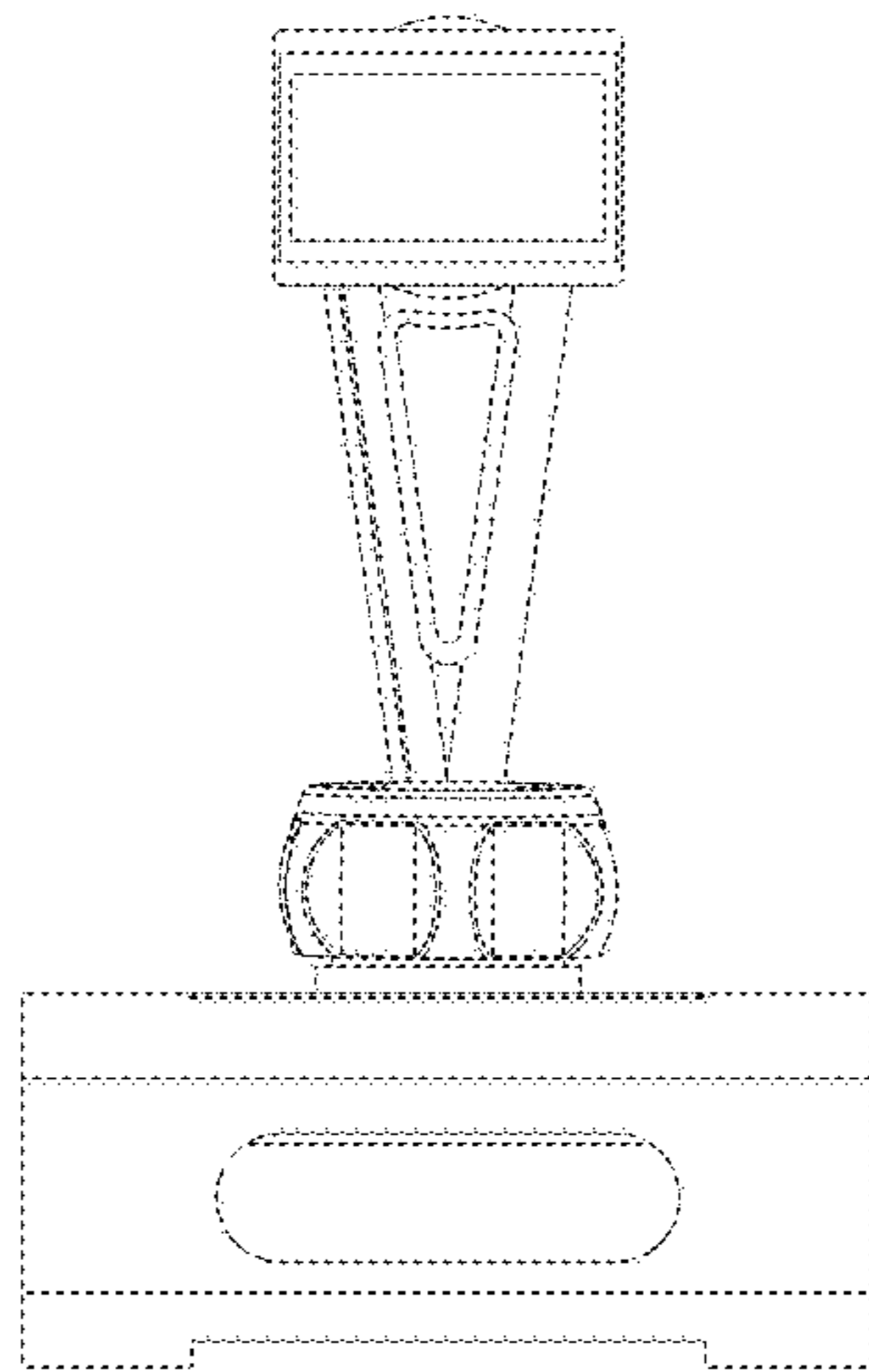


FIG. 4

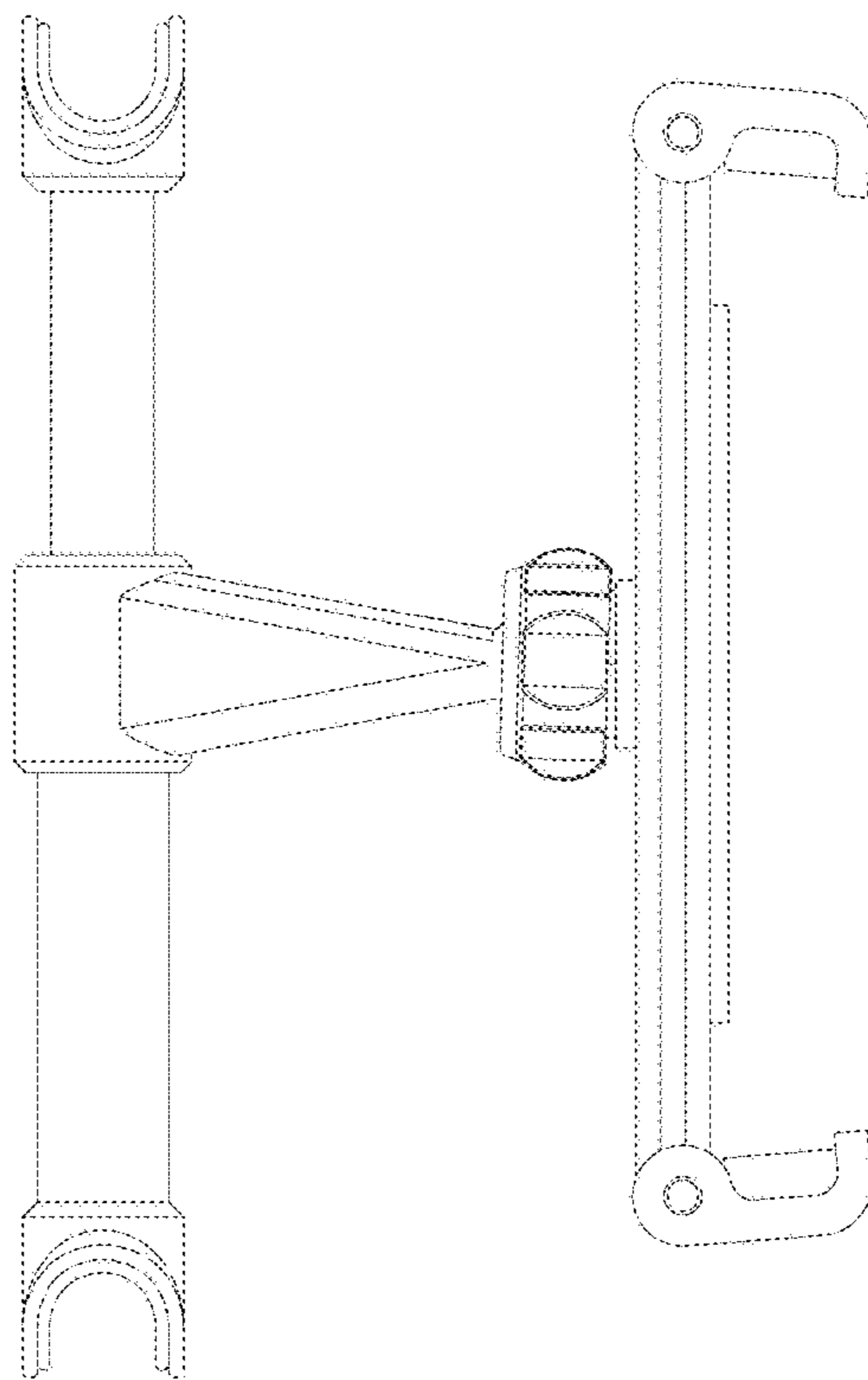


FIG. 5

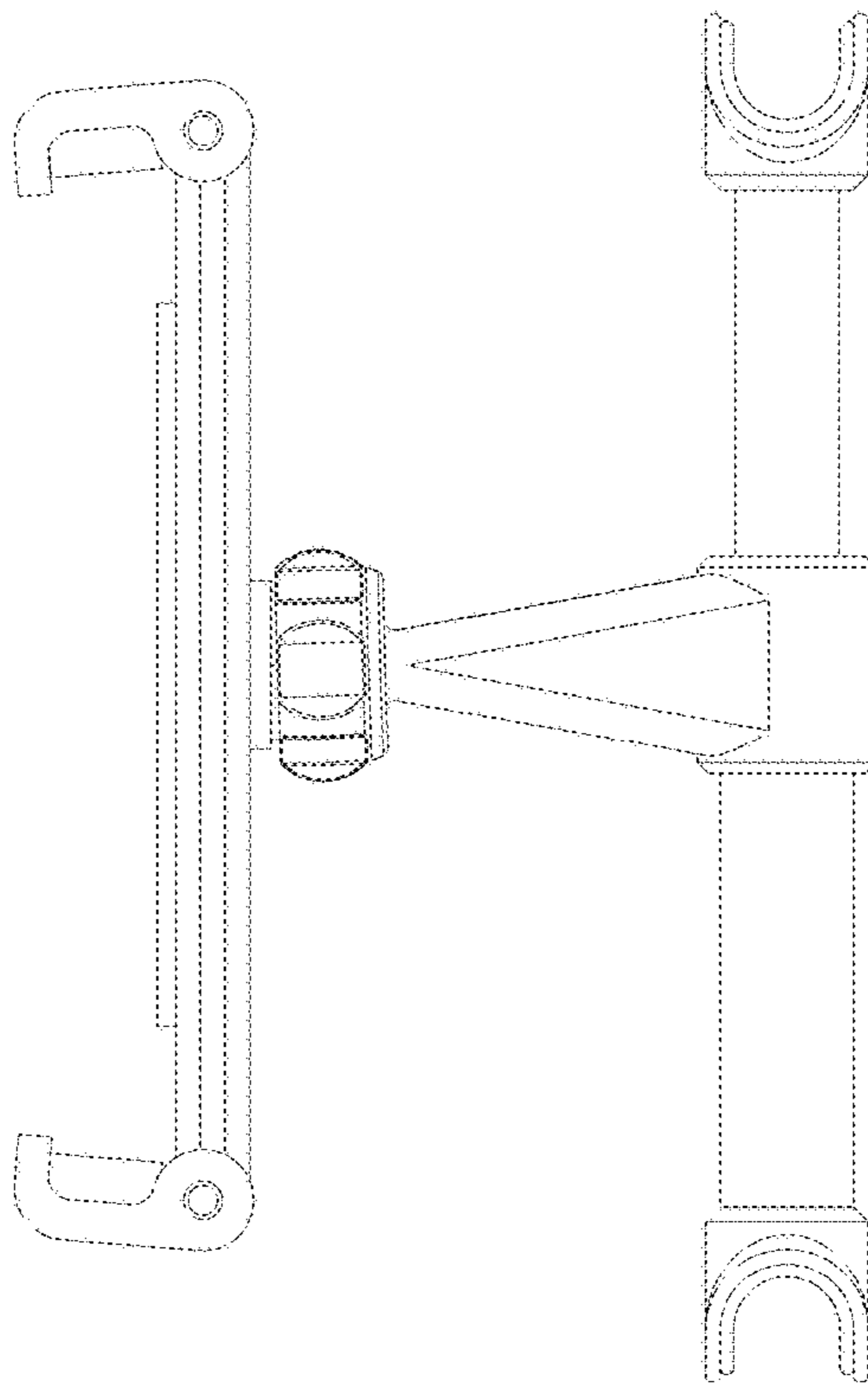


FIG. 6

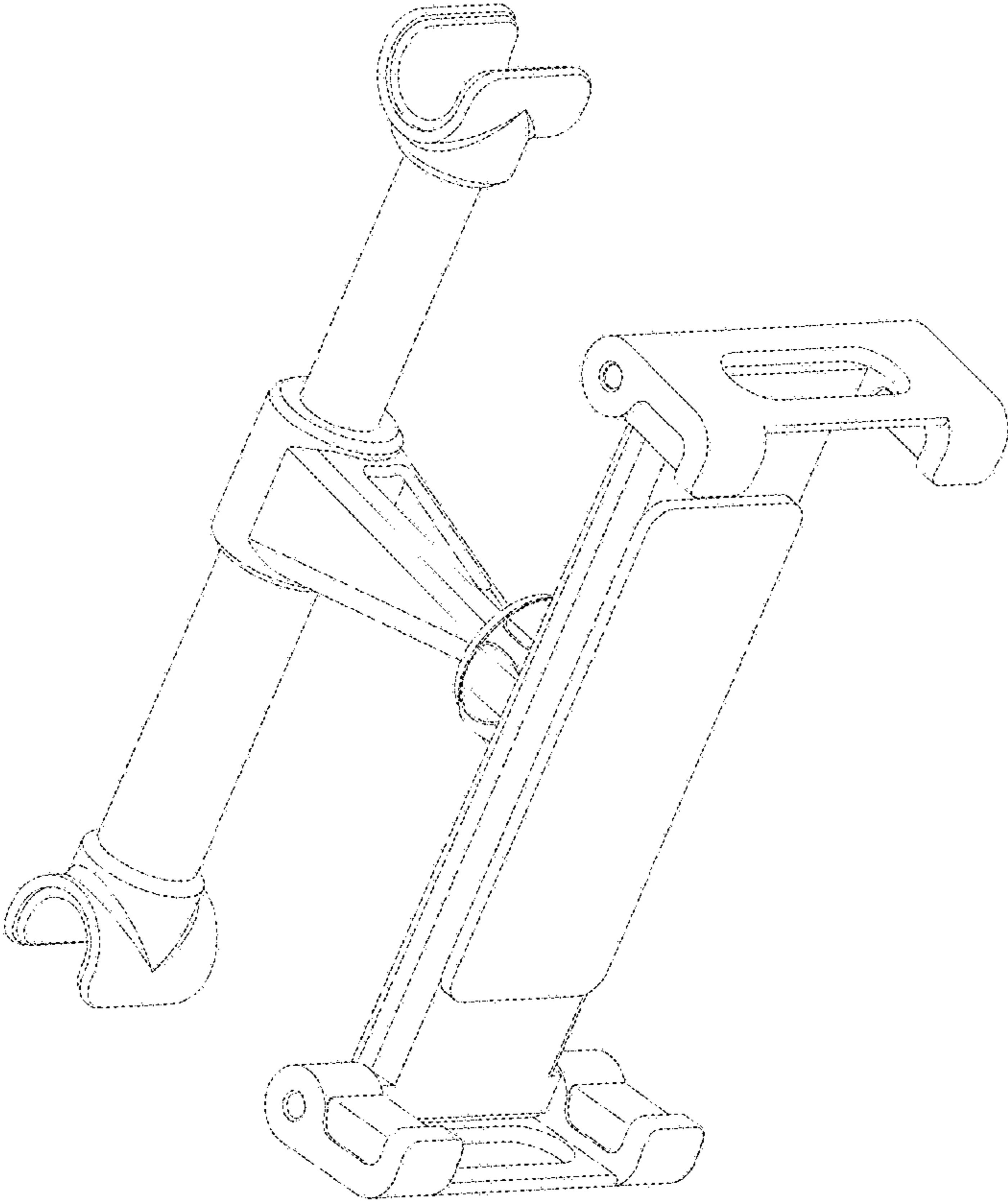


FIG. 7