



US00D858255S

(12) **United States Design Patent**  
**Fox**

(10) **Patent No.:** **US D858,255 S**  
(45) **Date of Patent:** **\*\* Sep. 3, 2019**

(54) **RAFTER BRACKET**

(71) Applicant: **FOX HARDWOOD LUMBER COMPANY, L.L.C.**, Franklin, TN (US)

(72) Inventor: **Samuel Fox**, Franklin, TN (US)

(73) Assignee: **FOX HARDWOOD LUMBER COMPANY, L.L.C.**, Franklin, TN (US)

(\*\*) Term: **15 Years**

(21) Appl. No.: **29/639,284**

(22) Filed: **Mar. 5, 2018**

(51) **LOC (12) Cl.** ..... **08-05**

(52) **U.S. Cl.**  
USPC ..... **D8/354**

(58) **Field of Classification Search**  
USPC ..... D8/354, 349, 353, 366; D25/133, 134, D25/136, 127  
CPC . E04B 7/045; B65D 2255/00; B65D 2590/02; B60P 7/0892  
See application file for complete search history.

(56) **References Cited**

**U.S. PATENT DOCUMENTS**

5,004,369	A *	4/1991	Young	.....	E04B 1/2612 403/232.1
5,217,317	A *	6/1993	Young	.....	E04B 1/2612 403/14
5,230,198	A *	7/1993	Callies	.....	E04B 1/2608 403/232.1
5,653,079	A *	8/1997	Loeffler	.....	E04B 1/2608 403/396
5,857,295	A *	1/1999	Mikawa	.....	E04B 7/045 52/656.9

(Continued)

**OTHER PUBLICATIONS**

U.S. Appl. No. 15/912,203, filed Mar. 5, 2018, filed by same Applicant as instant application.

*Primary Examiner* — Janice Halmark

*Assistant Examiner* — Harold E Blackwell, II

(74) *Attorney, Agent, or Firm* — Shane Cortesi

(57) **CLAIM**

The ornamental design for a rafter bracket, as shown and described.

**DESCRIPTION**

FIG. 1 is a rear perspective view of a rafter bracket in accordance with the present invention.

FIG. 2 is a bottom perspective view showing the rafter bracket of FIG. 1.

FIG. 3 is a front perspective view showing the rafter bracket of FIG. 1.

FIG. 4 is a left side elevation view showing the rafter bracket of FIG. 1, with the right side elevation view being a mirror image thereof.

FIG. 5 is a rear elevation view showing the rafter bracket of FIG. 1.

FIG. 6 is a front elevation view showing the rafter bracket of FIG. 1.

FIG. 7 is a top plan view showing the rafter bracket of FIG. 1.

FIG. 8 is a bottom plan view showing the rafter bracket of FIG. 1.

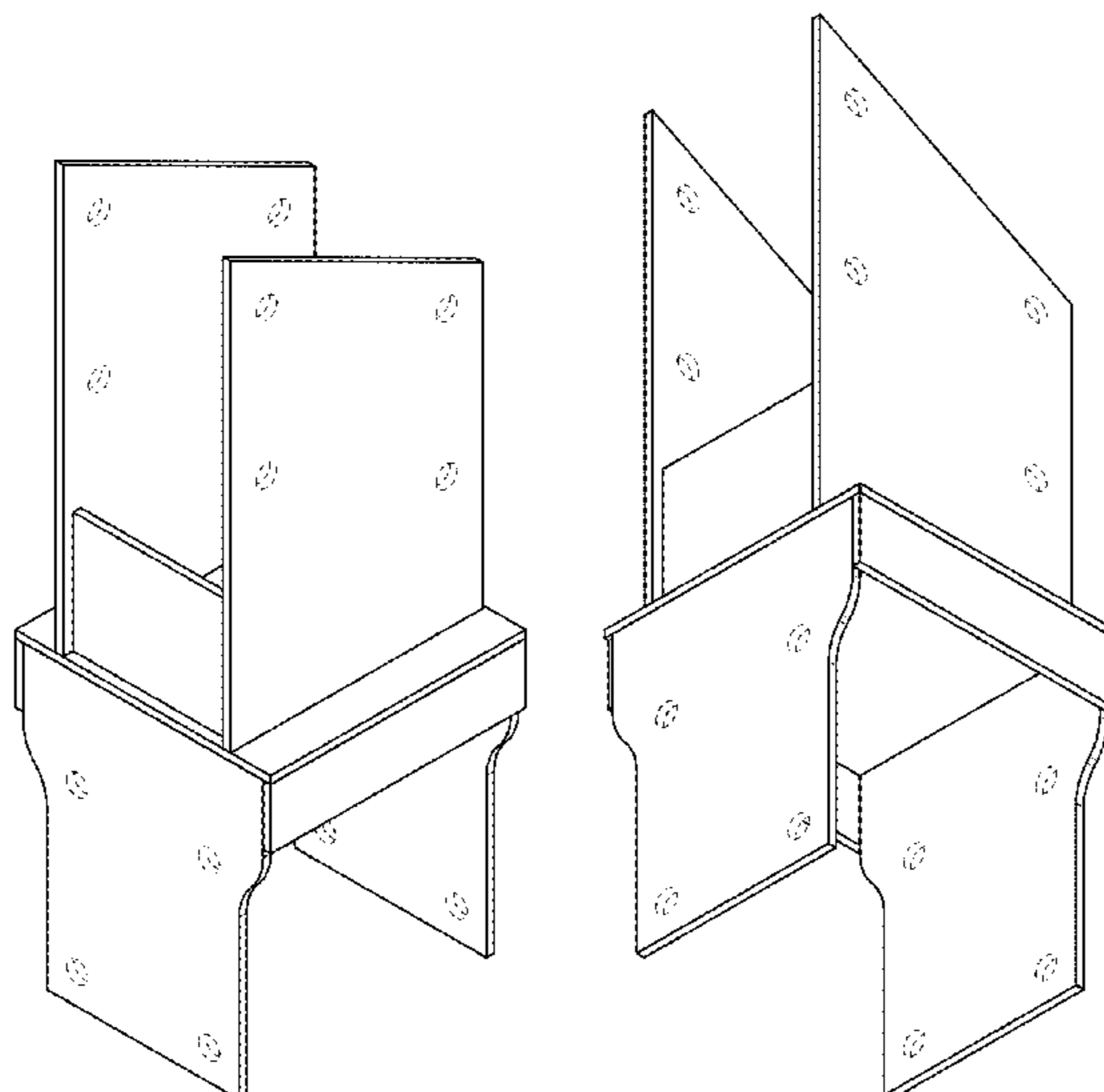
FIG. 9 is a left side perspective view showing the rafter bracket of FIG. 1.

FIG. 10 is a rear perspective view of another embodiment of a rafter bracket in accordance with the present invention; and,

FIG. 11 is a left side perspective view showing the rafter bracket of FIG. 10.

The broken lines shown in the Figures depict environmental subject matter only and are not part of the claimed design.

**1 Claim, 7 Drawing Sheets**



(56)

**References Cited**

U.S. PATENT DOCUMENTS

7,454,872 B2 \* 11/2008 Cutforth ..... E02D 27/16  
52/295  
7,971,410 B2 \* 7/2011 Jerke ..... E04H 9/14  
52/702  
D703,029 S 4/2014 Fox  
9,650,780 B2 \* 5/2017 Tan ..... E04B 1/2608  
10,100,508 B1 \* 10/2018 Fox ..... E04B 1/2608  
10,202,766 B1 \* 2/2019 Fox ..... E04B 1/2604  
2008/0282641 A1 \* 11/2008 Sackett ..... E04B 7/045  
52/715  
2016/0168840 A1 \* 6/2016 Monty ..... E04B 1/26  
52/262

\* cited by examiner

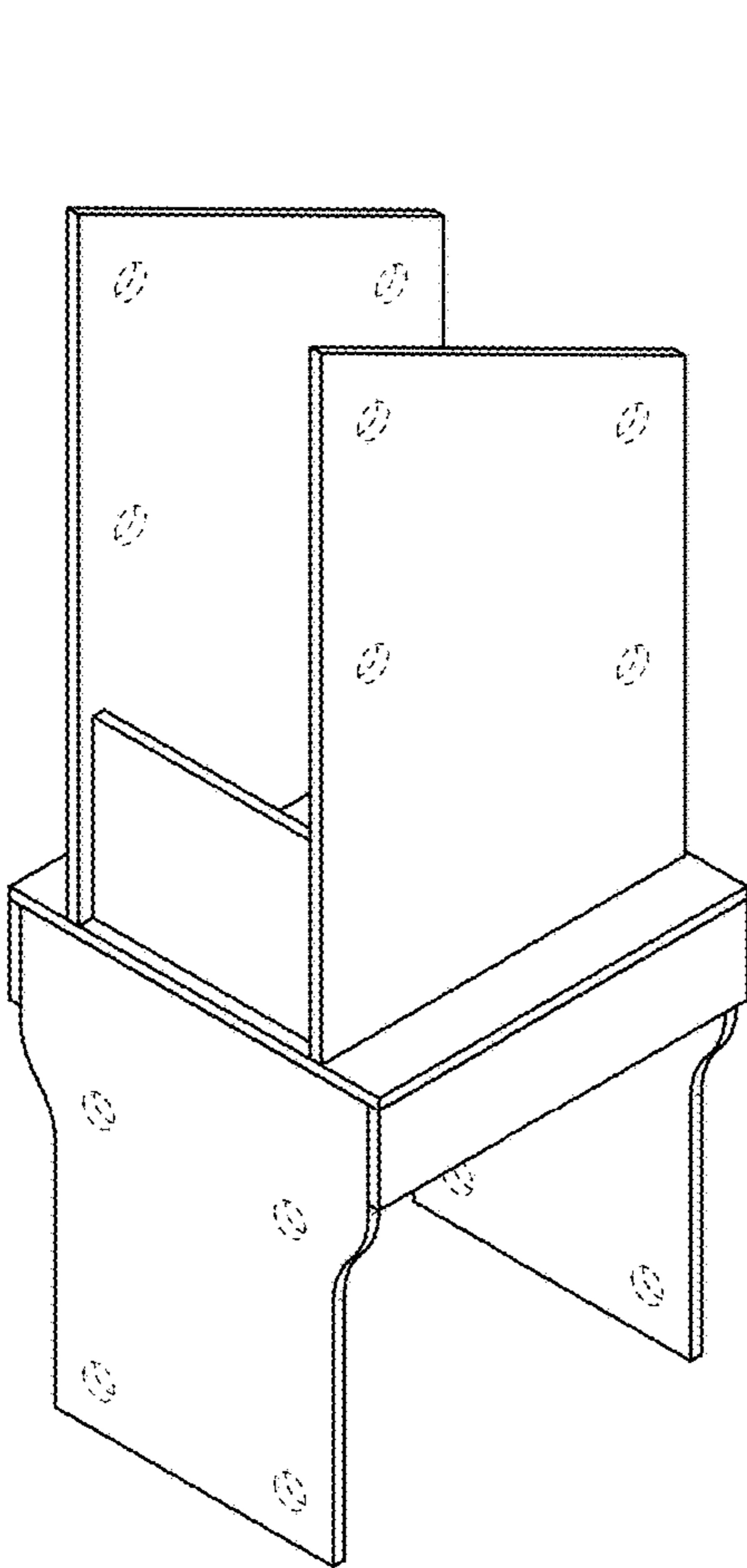


FIG. 1

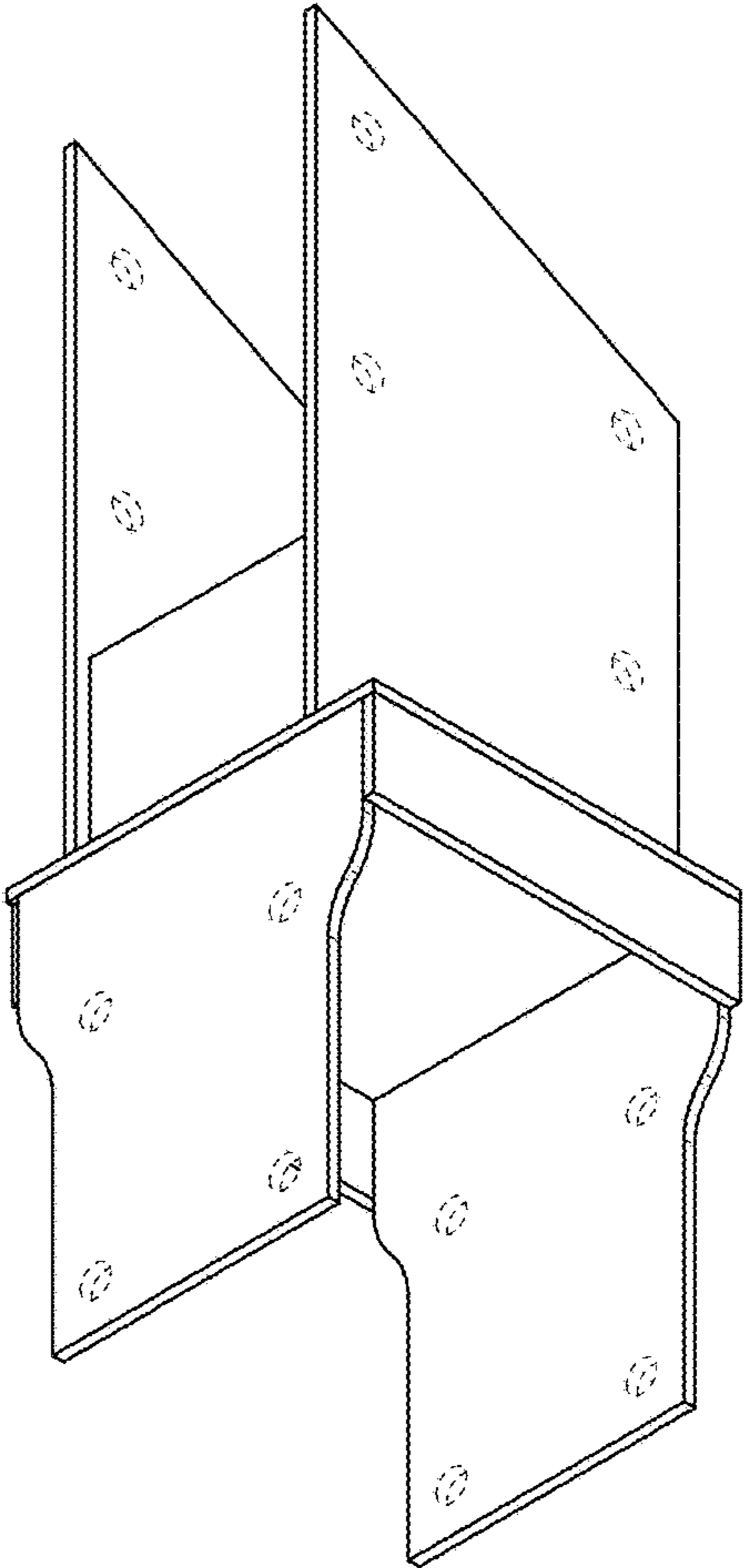
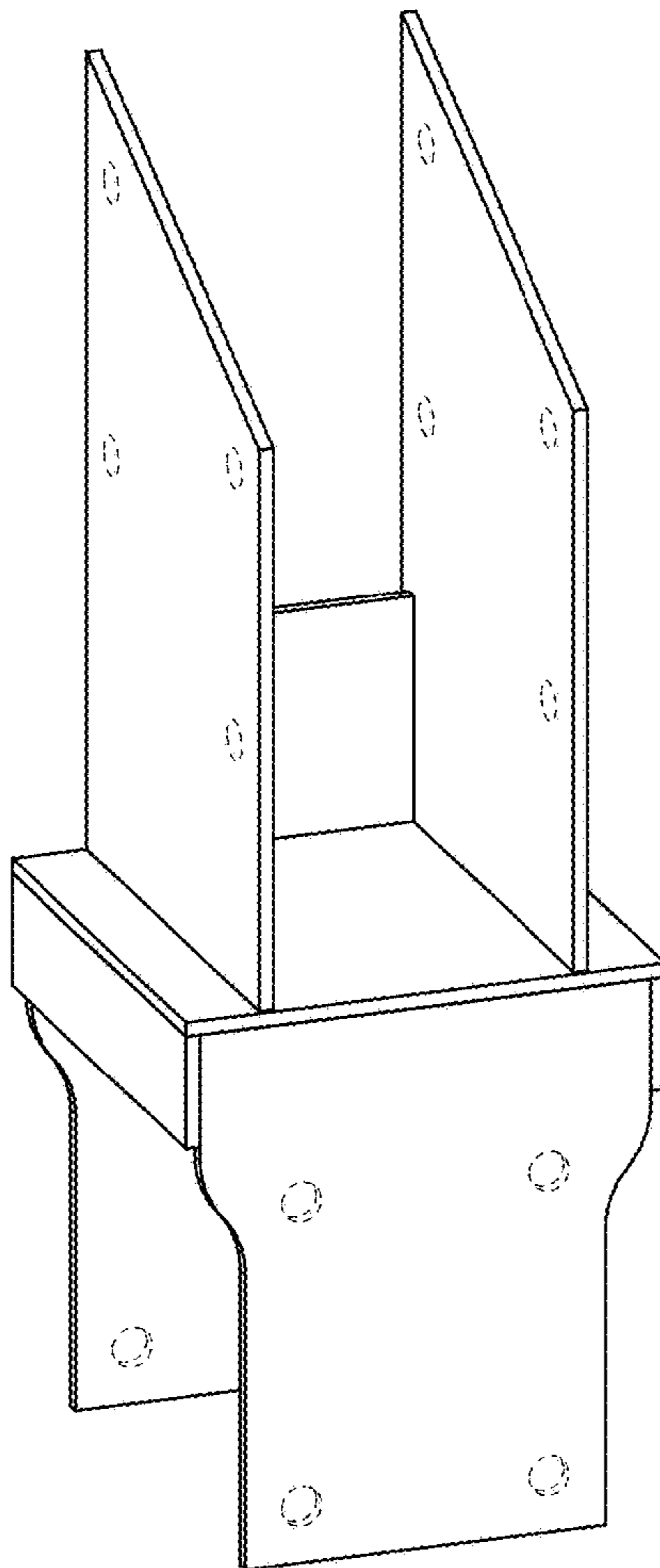
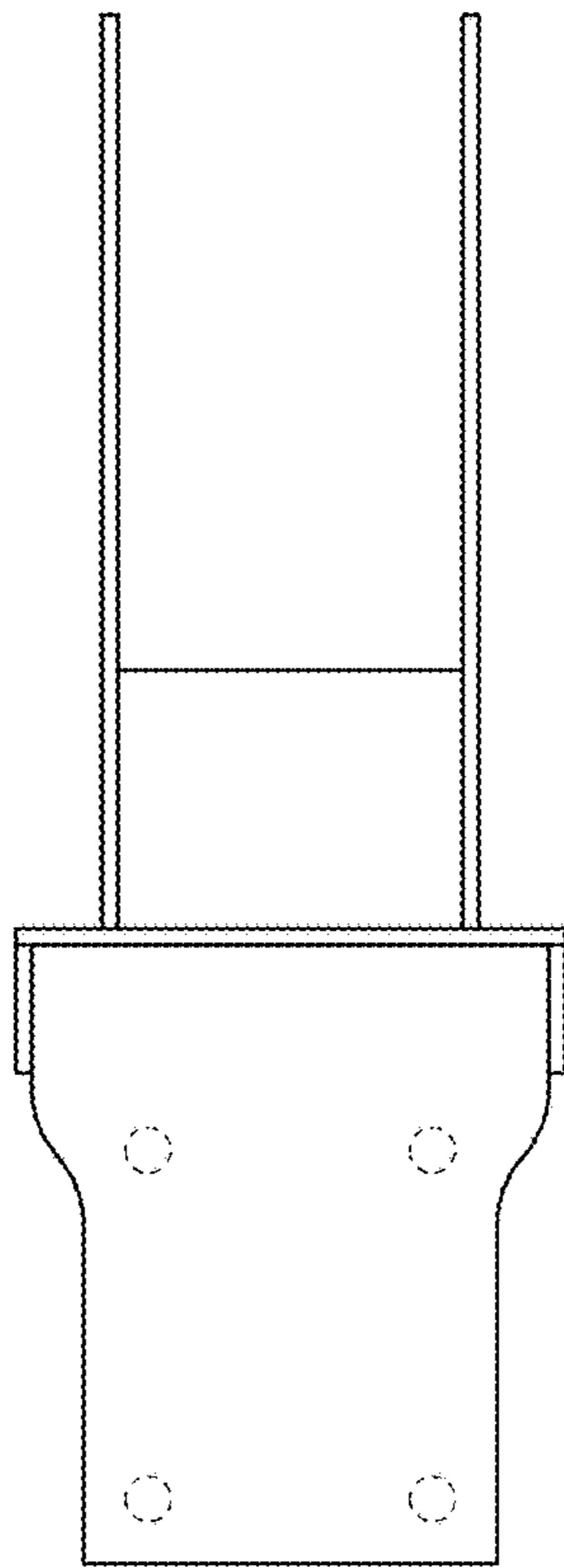


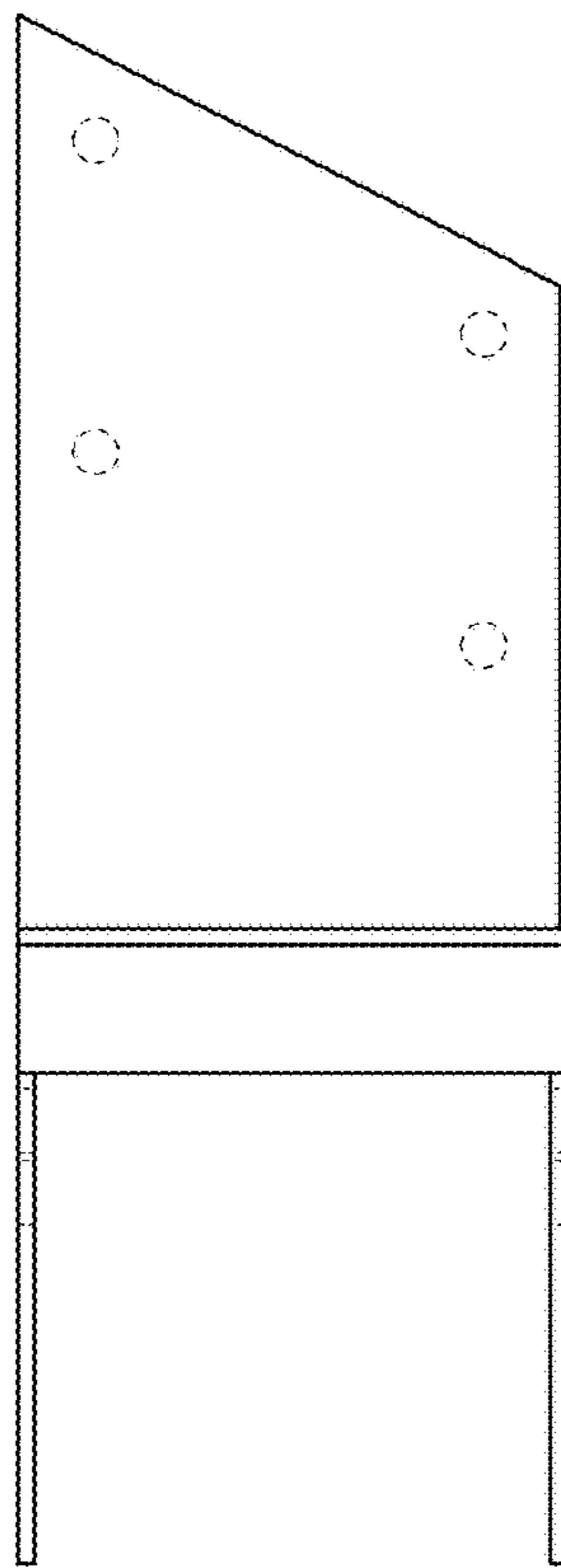
FIG. 2



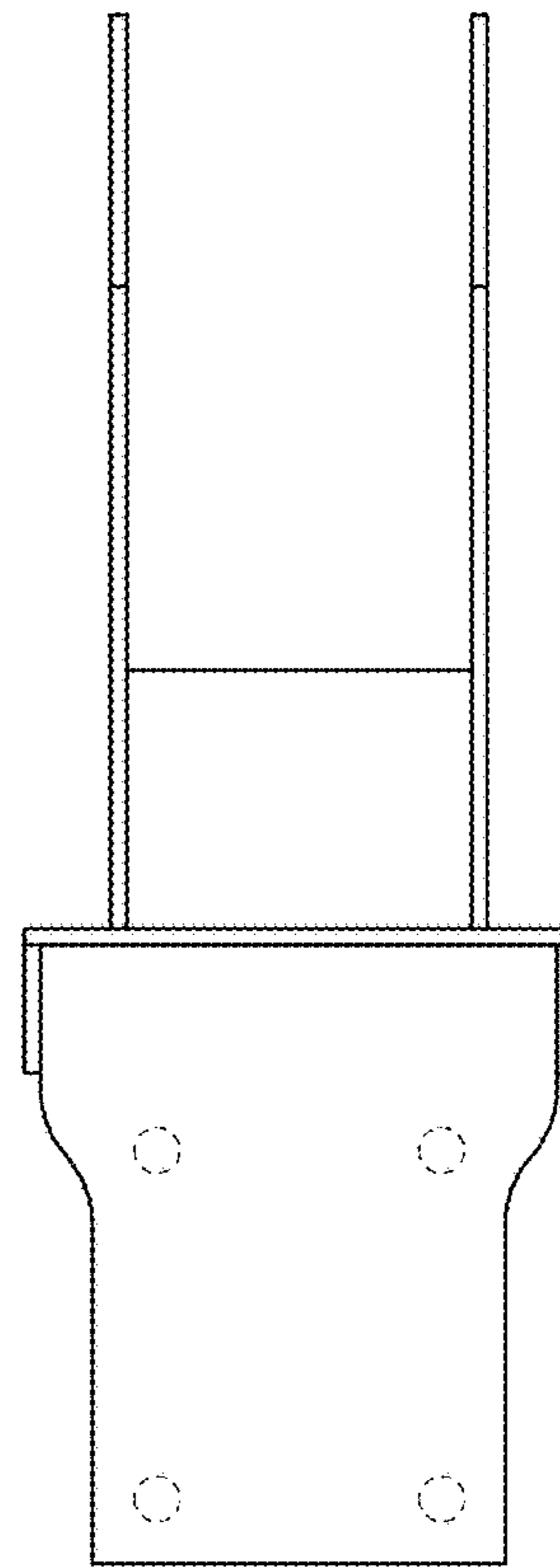
*FIG. 3*



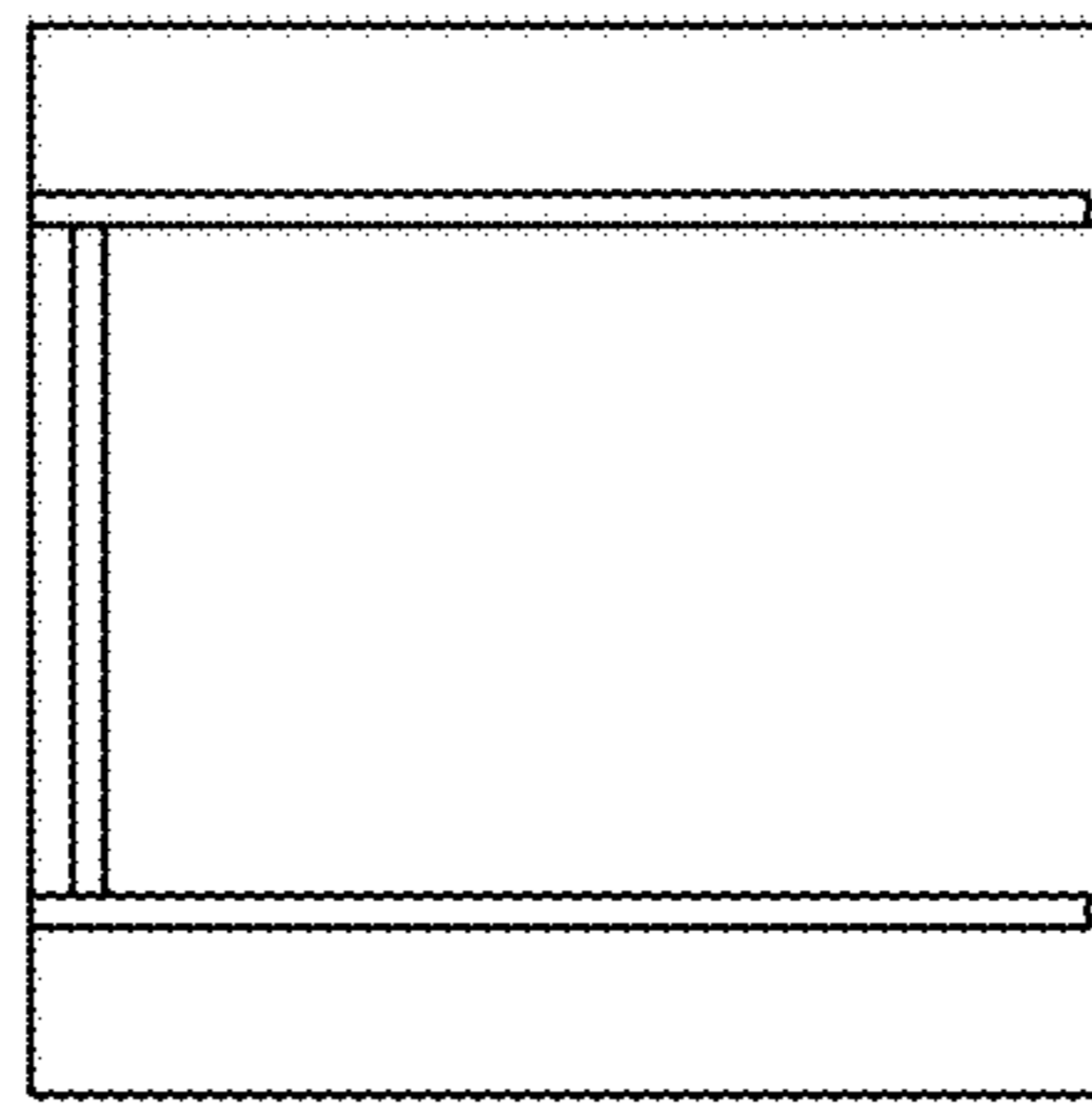
*FIG. 5*



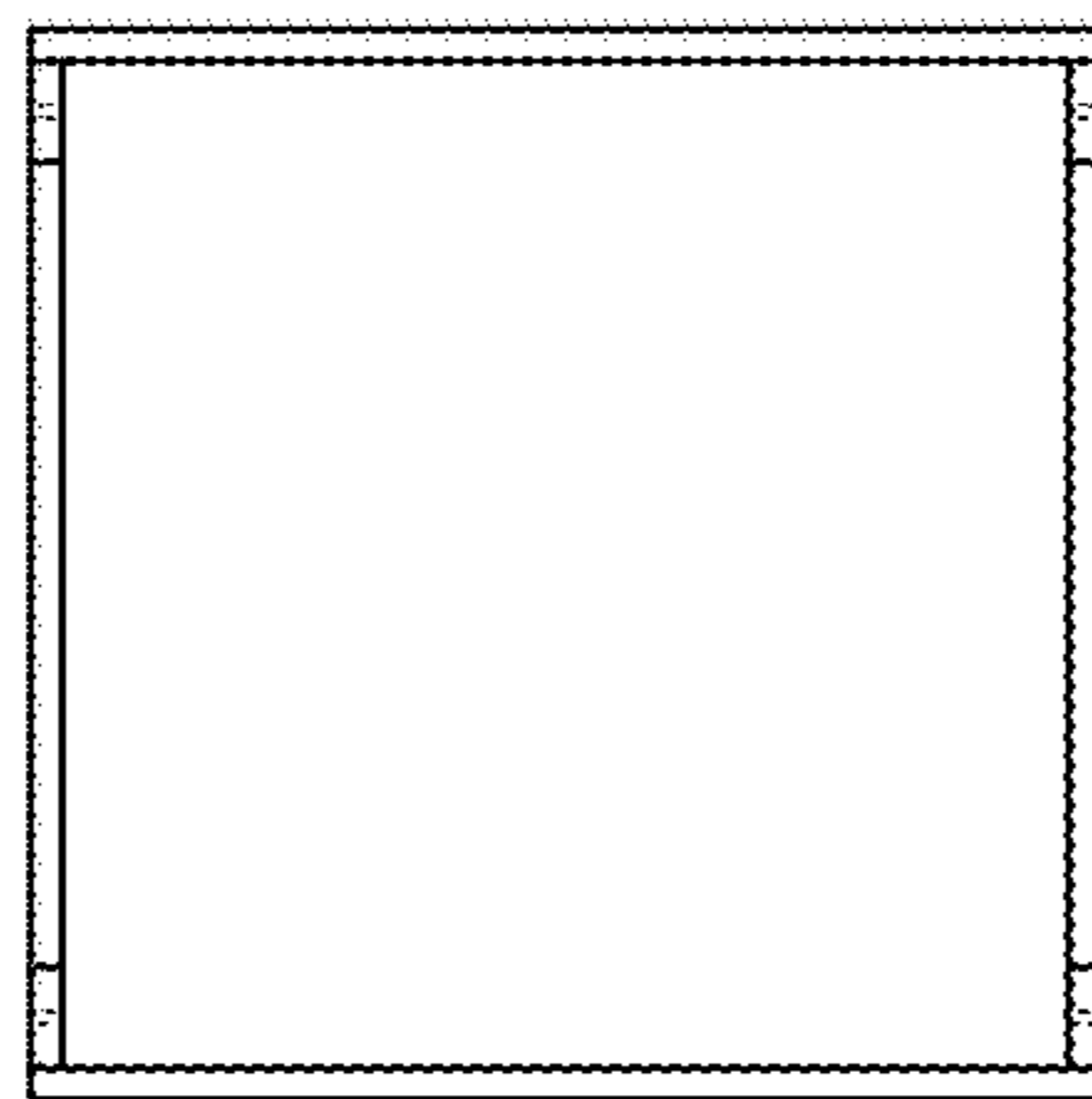
*FIG. 4*



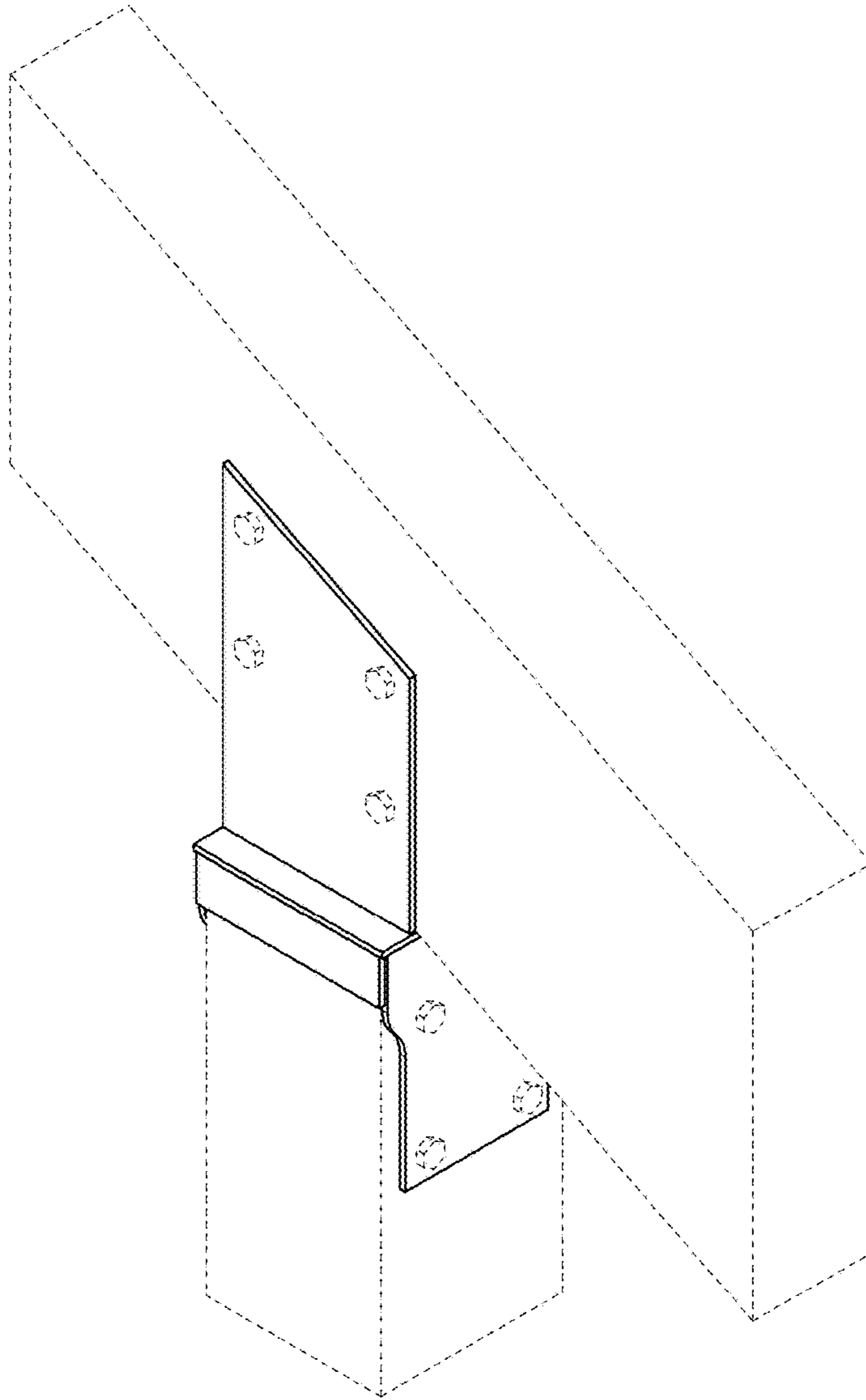
*FIG. 6*



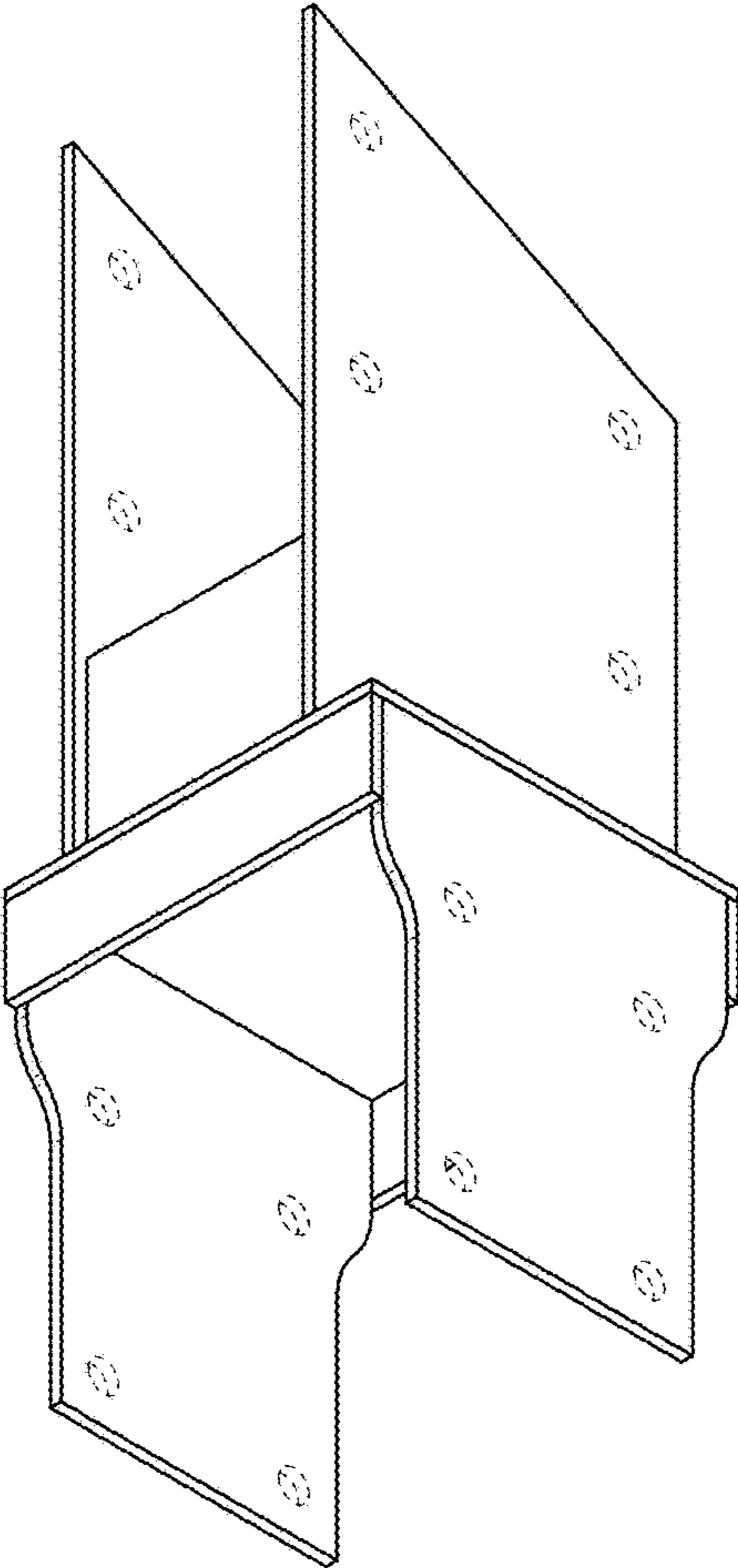
*FIG. 7*



*FIG. 8*

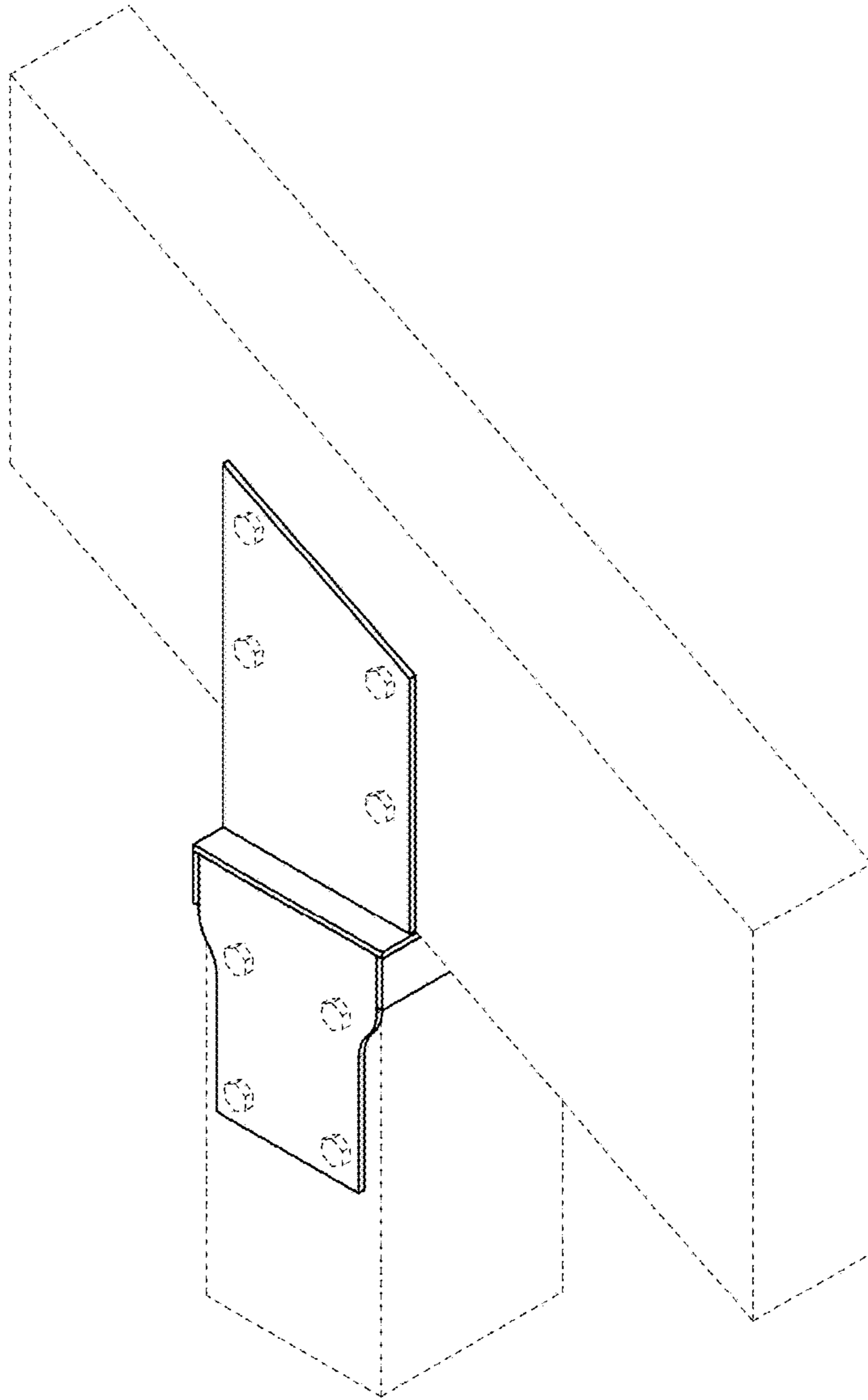


*FIG. 9*



*FIG. 10*





*FIG. 11*