



US00D858254S

(12) **United States Design Patent** (10) **Patent No.:** **US D858,254 S**  
**Gao** (45) **Date of Patent:** **\*\* Sep. 3, 2019**

(54) **WALL PANEL HAVING DUST-PROOF BRUSH FOR INCOMING AND OUTGOING WIRE OF AUDIO-VISUAL SYSTEM**

(71) Applicant: **Zhongshan Ruisu electronics Co. Ltd.**, Zhongshan (CN)

(72) Inventor: **Qikui Gao**, Bozhou (CN)

(73) Assignee: **Zhongshan Ruisu electronics Co. Ltd.**, Zhongshan (CN)

(\*\*) Term: **15 Years**

(21) Appl. No.: **29/655,064**

(22) Filed: **Jun. 29, 2018**

(51) **LOC (12) Cl.** ..... **11-05**

(52) **U.S. Cl.**  
USPC ..... **D8/353**

(58) **Field of Classification Search**  
USPC ..... D8/350, 353; D13/139.1–139.8, 146, D13/147, 152, 154, 156, 158, 169, 171, D13/173, 17, 184; 362/95; 174/66, 67; 220/241, 242; 439/136, 143, 328  
CPC .. H01R 24/78; H01R 2103/00; H01R 13/665; H01R 13/717; H01R 25/006; H02G 3/081; H02G 3/18; H02G 3/14; H02G 3/123; F21Y 2115/10; F21Y 2101/00; F21V 33/006; F21V 33/00; F21S 8/035; H05B 33/0803; H05B 33/0809; H05B 33/0812; H05B 33/06; H05B 33/02; H01H 9/18; H01H 9/182; Y02B 20/343  
See application file for complete search history.

(56) **References Cited**

**U.S. PATENT DOCUMENTS**

D411,734 S \* 6/1999 Hsiang ..... D13/154  
D540,656 S \* 4/2007 Corbin ..... D8/353  
D548,572 S \* 8/2007 DeCosta ..... D8/353

D553,475 S \* 10/2007 Gorin ..... D8/353  
D554,475 S \* 11/2007 Gorin ..... D8/353  
D566,525 S \* 4/2008 DeCosta ..... D8/353  
D568,719 S \* 5/2008 Gorin ..... D8/353  
D577,280 S \* 9/2008 Parker ..... D8/353  
D577,987 S \* 10/2008 Corbin ..... D8/353  
D585,726 S \* 2/2009 DeCosta ..... D8/353  
D593,842 S \* 6/2009 Corbin ..... D8/353  
D628,155 S \* 11/2010 Maurer ..... D13/131  
D632,545 S \* 2/2011 DeCosta ..... D8/353  
D635,099 S \* 3/2011 Kramer ..... D13/152  
D642,894 S \* 8/2011 Soper ..... D8/353  
D721,336 S \* 1/2015 Tonnesen ..... D13/156  
D793,846 S \* 8/2017 Armstrong, Jr. .... D13/156

\* cited by examiner

*Primary Examiner* — Mark A Goodwin

(74) *Attorney, Agent, or Firm* — Gokalp Bayramoglu

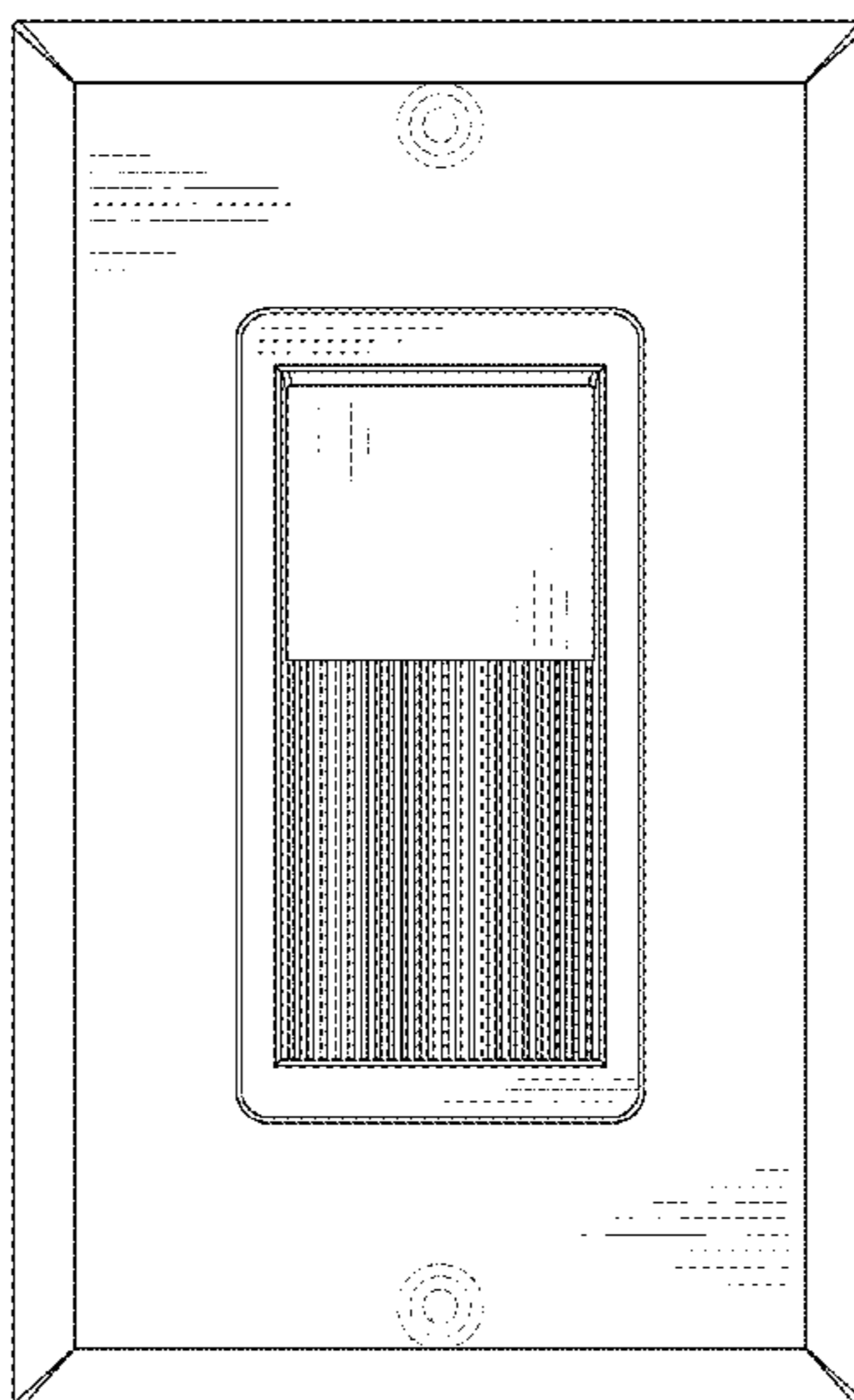
(57) **CLAIM**

The ornamental design for a wall panel having dust-proof brush for incoming and outgoing wire of audio-visual system, as shown and described.

**DESCRIPTION**

FIG. 1 is a front view of a wall panel having dust-proof brush for incoming and outgoing wire of audio-visual system showing the new design; FIG. 2 is a rear view thereof; FIG. 3 is a left side view thereof; FIG. 4 is a right side view thereof; FIG. 5 is a bottom view thereof; FIG. 6 is a top view thereof; FIG. 7 is a perspective view thereof; and, FIG. 8 is another perspective view thereof. The broken line showing of the screw holes and other circular features on the back of the claim is included for the purpose of illustrating portions of the wall panel having dust-proof brush for incoming and outgoing wire of audio-visual system and forms no part of the claimed design.

**1 Claim, 8 Drawing Sheets**



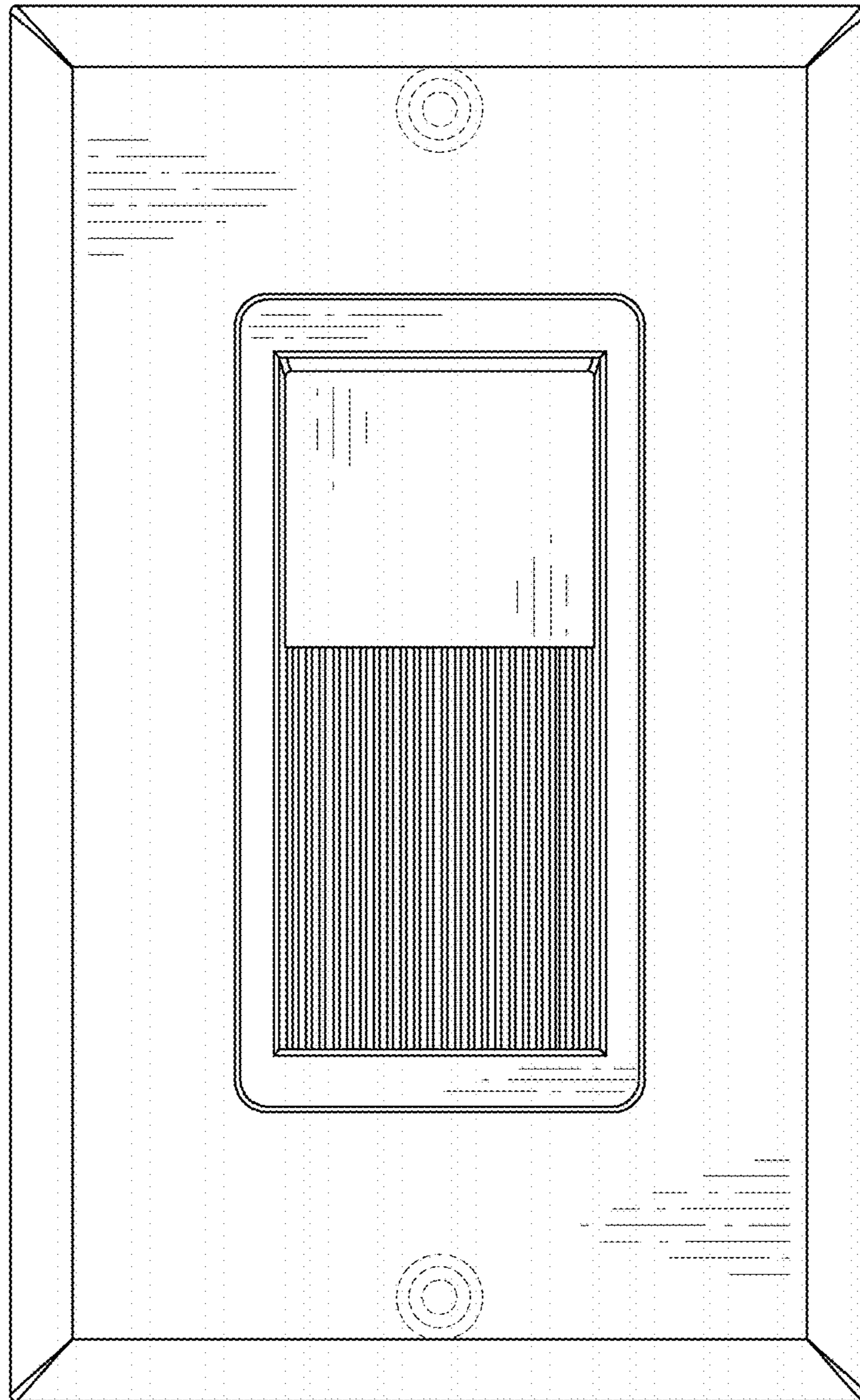


Fig. 1

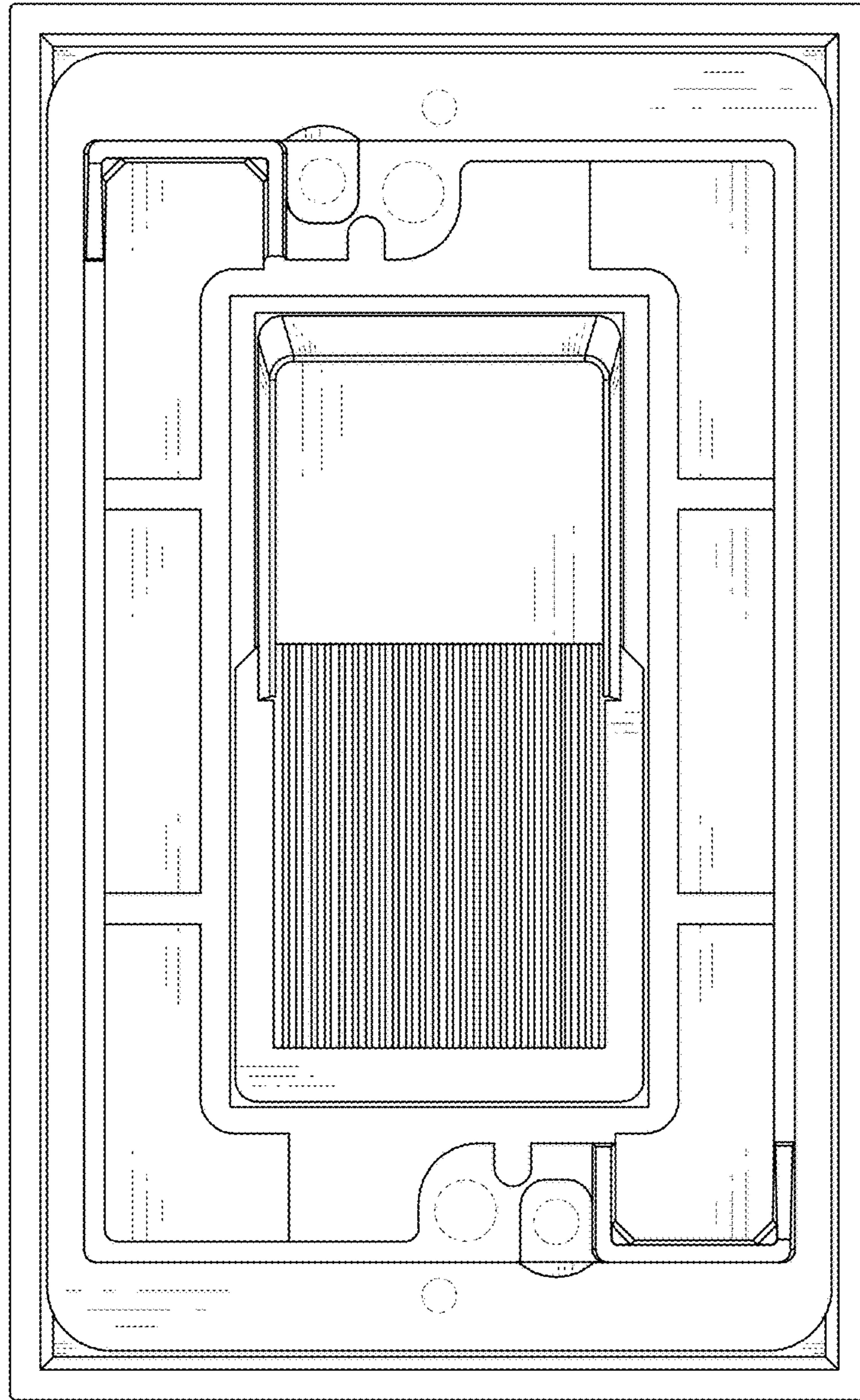


Fig. 2

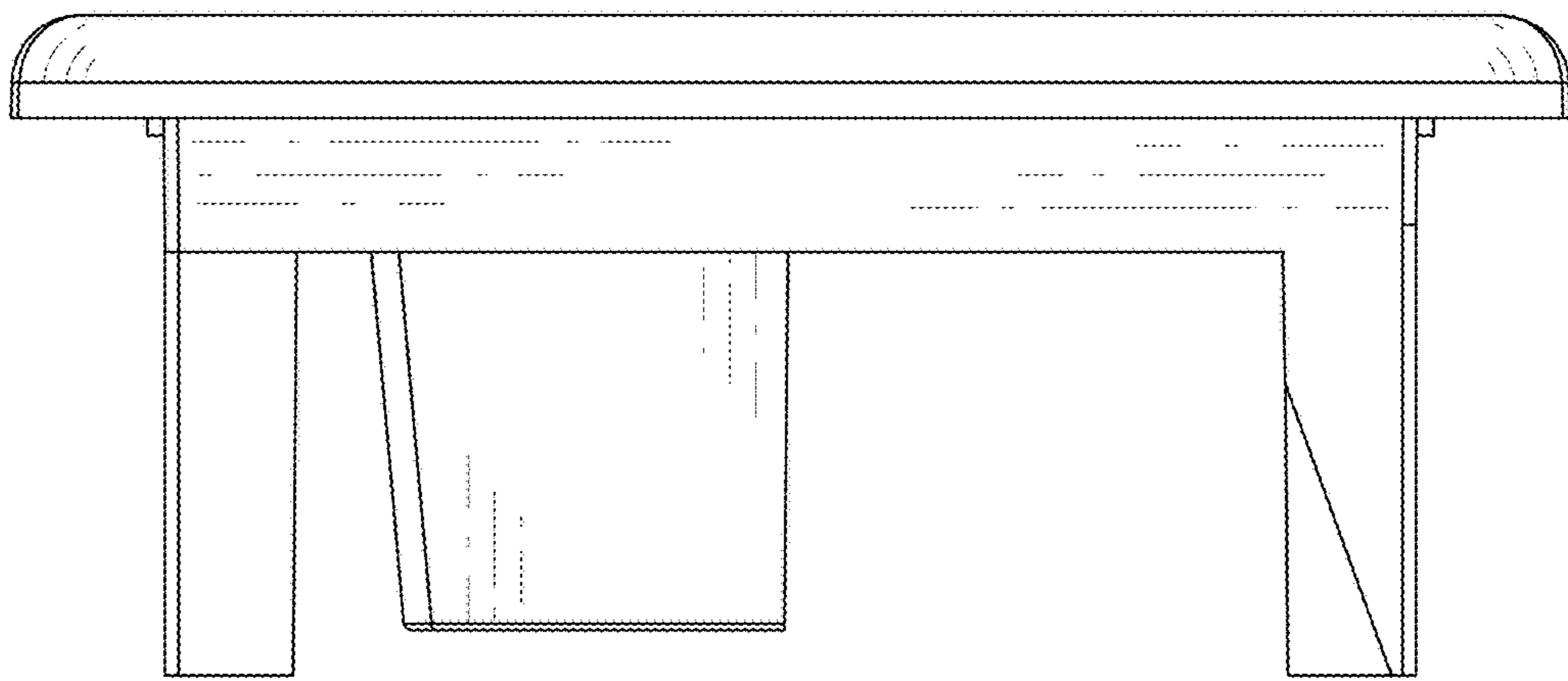


Fig. 3

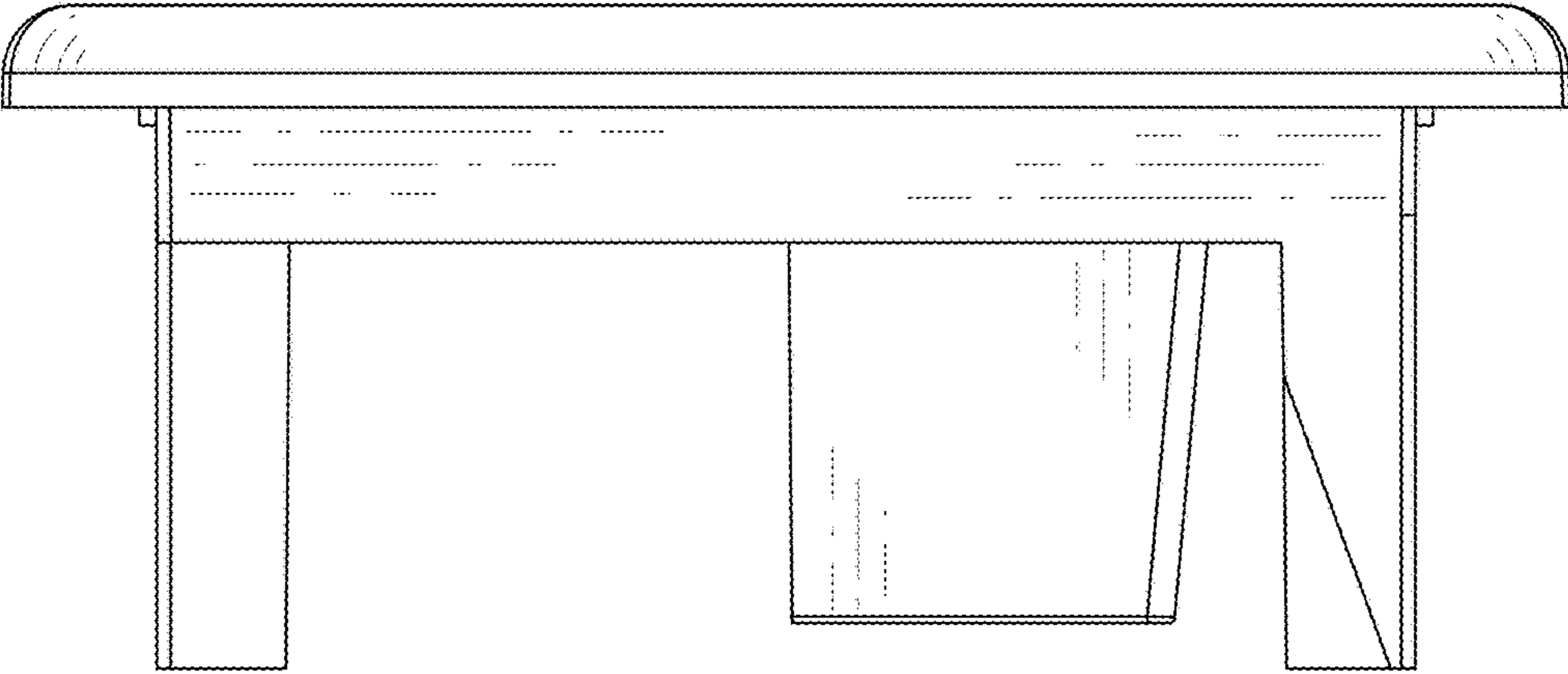


Fig. 4

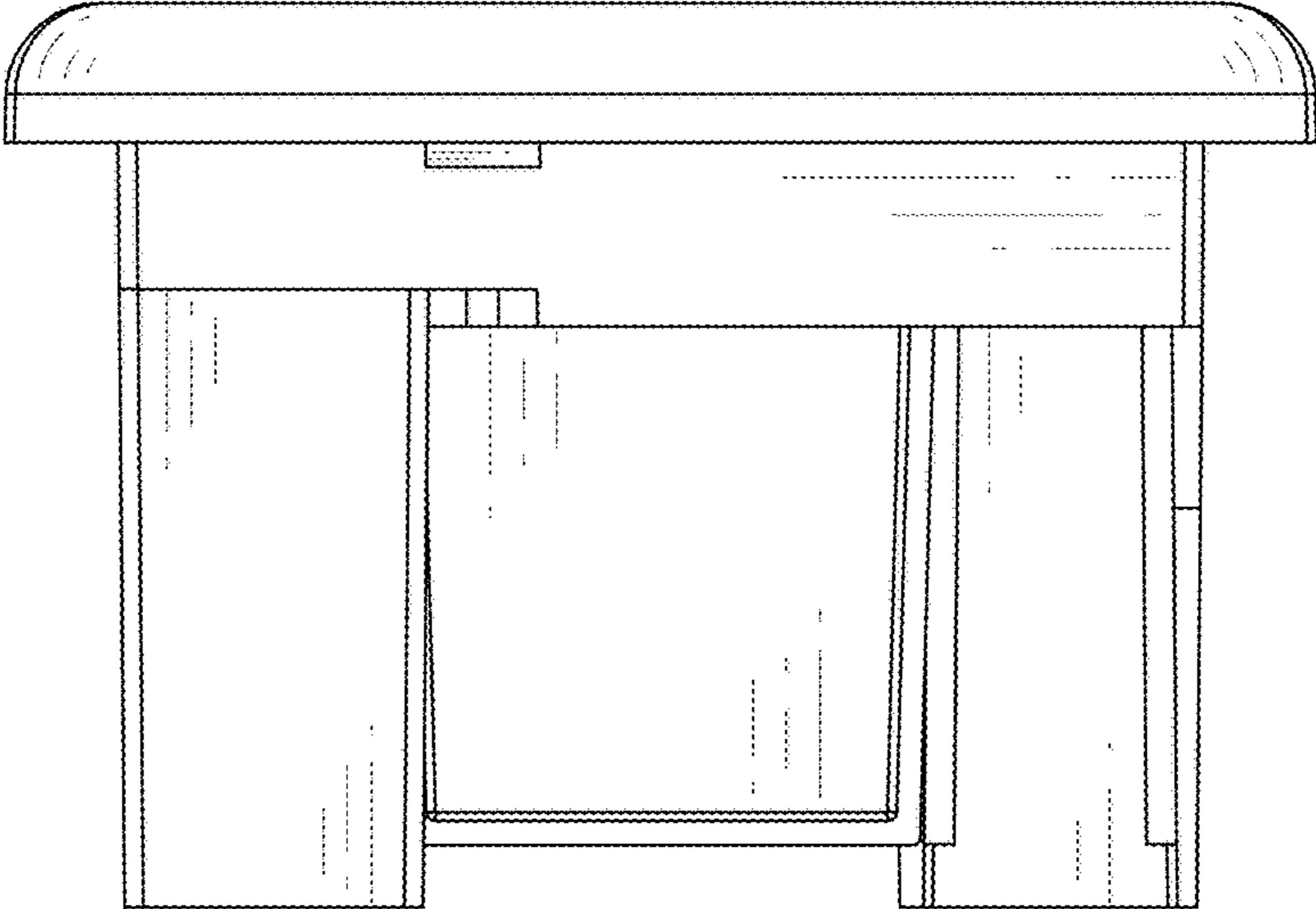


Fig. 5

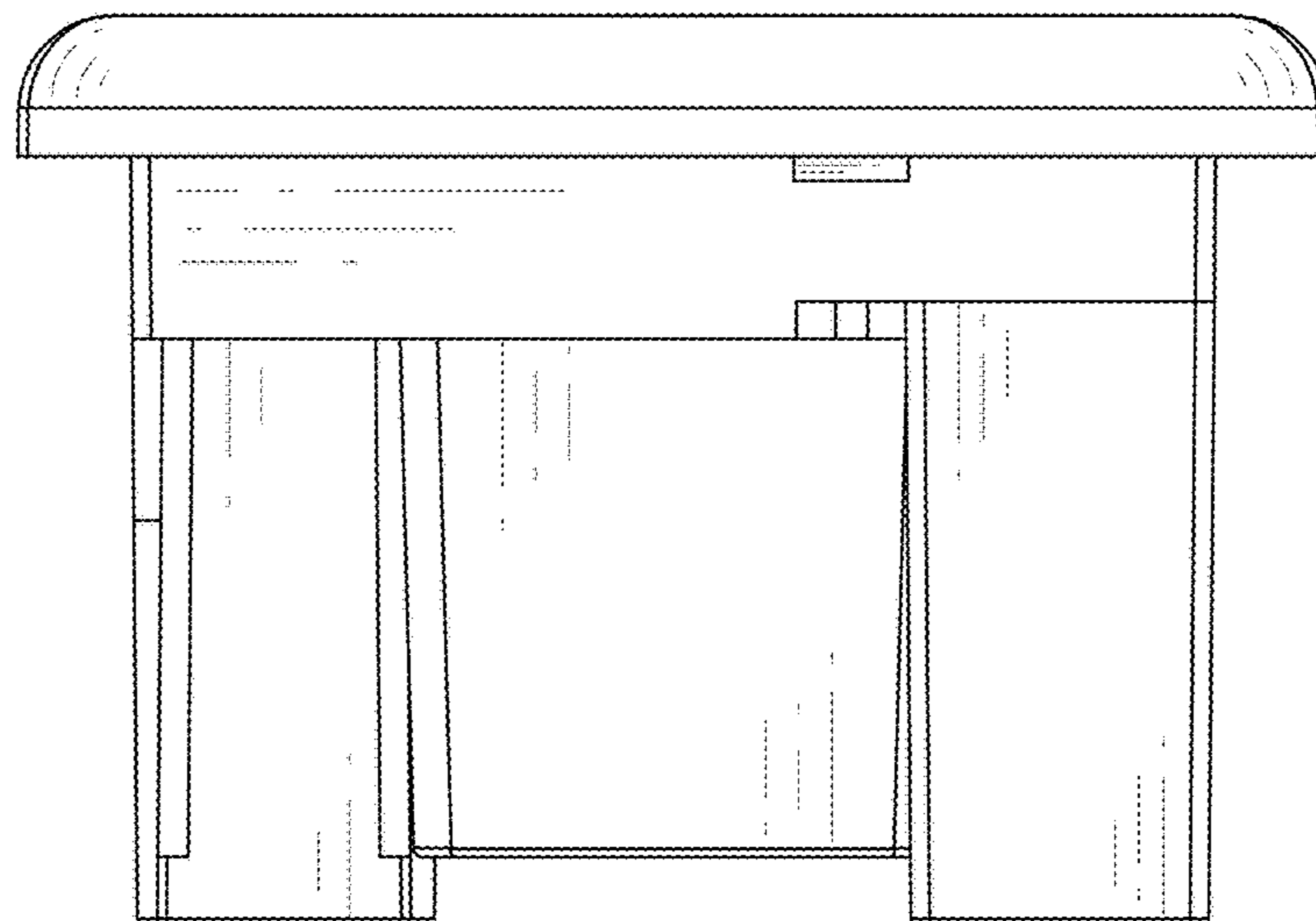


Fig. 5

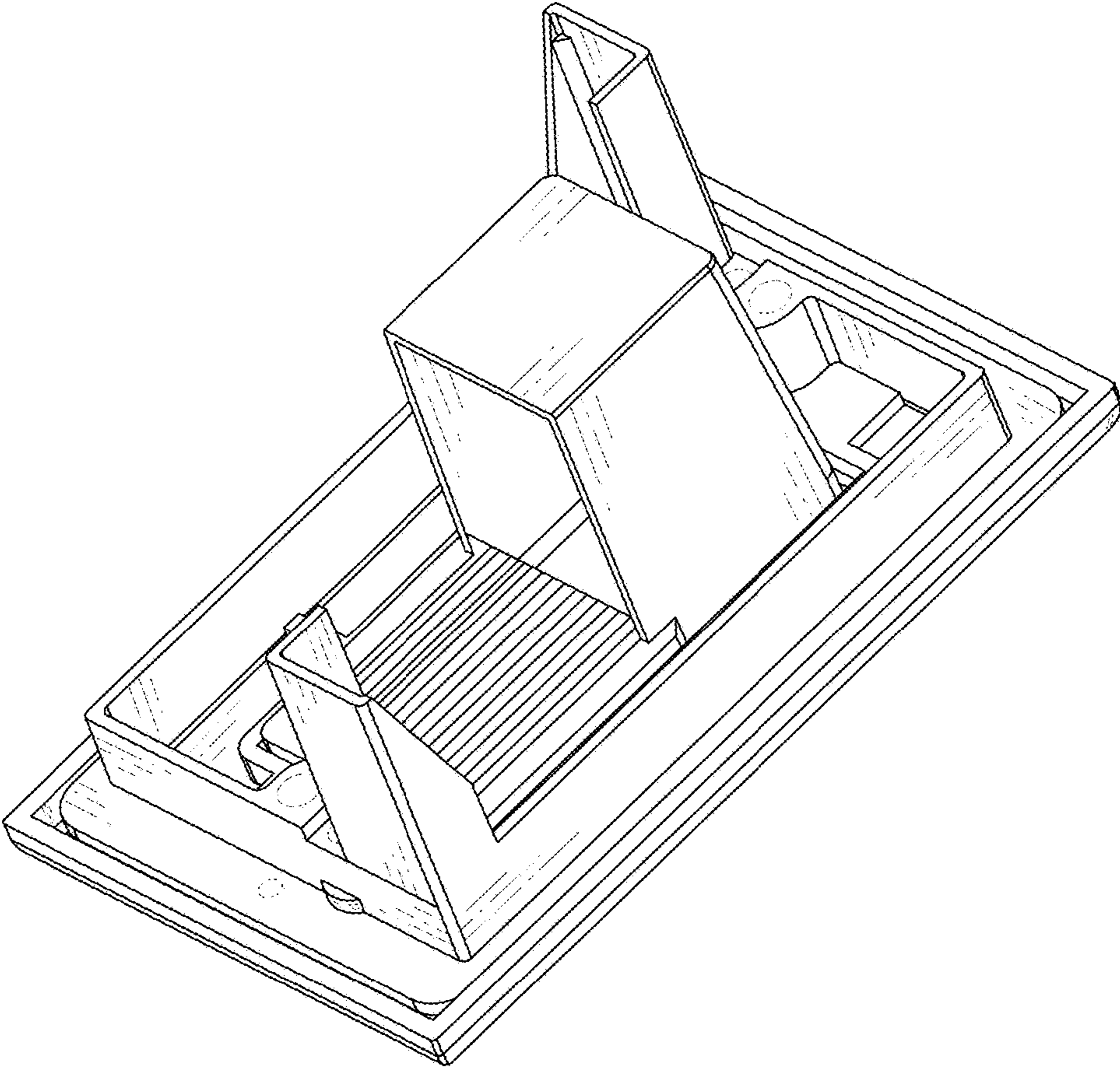


Fig. 7



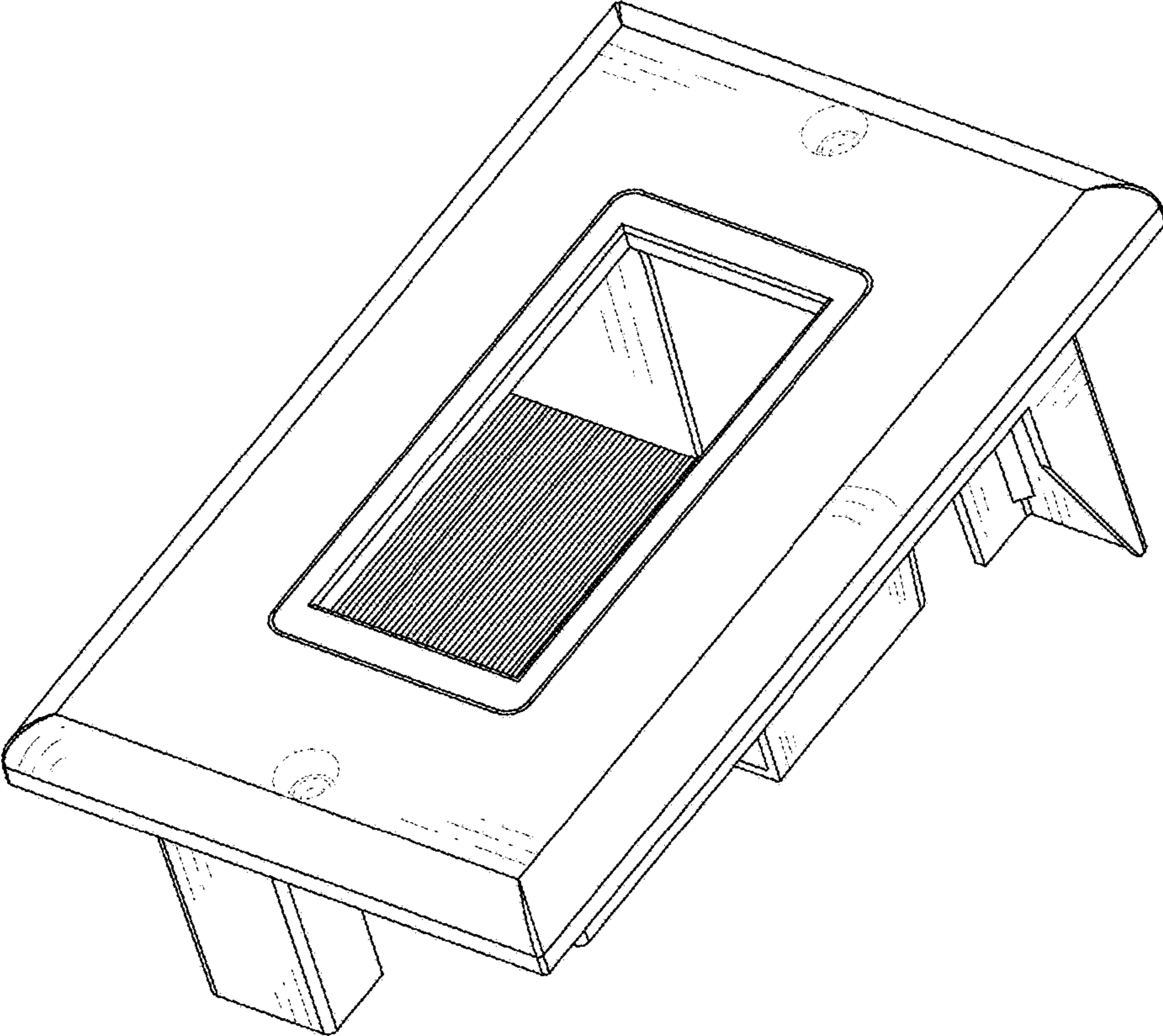


Fig. 8