



US00D858253S

(12) **United States Design Patent**
DeGott et al.

(10) **Patent No.:** **US D858,253 S**

(45) **Date of Patent:** **** Sep. 3, 2019**

(54) **DOOR CLOSER**

(71) Applicant: **International Door Closers, Inc.**,
Nashville, TN (US)

(72) Inventors: **Danny Dean DeGott**, Nashville, TN
(US); **Siho Sung**, Seoul (KR)

(73) Assignee: **INTERNATIONAL DOOR
CLOSERS, INC.**, Nashville, TN (US)

(**) Term: **15 Years**

(21) Appl. No.: **29/581,313**

(22) Filed: **Oct. 18, 2016**

(51) **LOC (12) Cl.** **08-07**

(52) **U.S. Cl.**
USPC **D8/330**

(58) **Field of Classification Search**
USPC D8/330, 331, 336-339, 343, 341, 349,
D8/382, 400; D16/49, 71, 82, 404;
292/32, 33, 4, 45, 56, 57, 71, 74, 78, 63,
292/137, 194; 70/14, 38 R, 51, 52, 57,
70/57.1, 101, 106, 77, 78, 141, 431
CPC E05F 3/10; E05F 3/104; E05F 3/12
See application file for complete search history.

(56) **References Cited**

U.S. PATENT DOCUMENTS

3,137,888	A *	6/1964	Blom	E05F 3/104 16/51
3,149,366	A	9/1964	Martin		
3,174,177	A	3/1965	Bugge		
3,246,362	A	4/1966	Jackson		
4,064,589	A	12/1977	Bejarano		
5,417,013	A	5/1995	Tillmann		
5,666,692	A *	9/1997	Toledo	E05F 3/104 16/51
5,829,097	A *	11/1998	Toledo	E05C 17/26 16/53
D429,992	S *	8/2000	Ginzel	D8/330

6,397,430	B1	6/2002	Brown		
6,493,904	B1 *	12/2002	Chiang	E05F 3/104 16/56
D493,352	S *	7/2004	Homberg	D8/330
7,003,847	B2	2/2006	Brown		
7,421,761	B2	9/2008	Johnson		

(Continued)

FOREIGN PATENT DOCUMENTS

EP	2508702	10/2012
GB	936320	9/1963

OTHER PUBLICATIONS

U.S. Appl. No. 15/296,436, entitled "Door Closer", by Danny Dean DeGott, filed Oct. 18, 2016.

(Continued)

Primary Examiner — Ian Simmons
Assistant Examiner — Yolanda Robinson
(74) *Attorney, Agent, or Firm* — Shane Cortesi

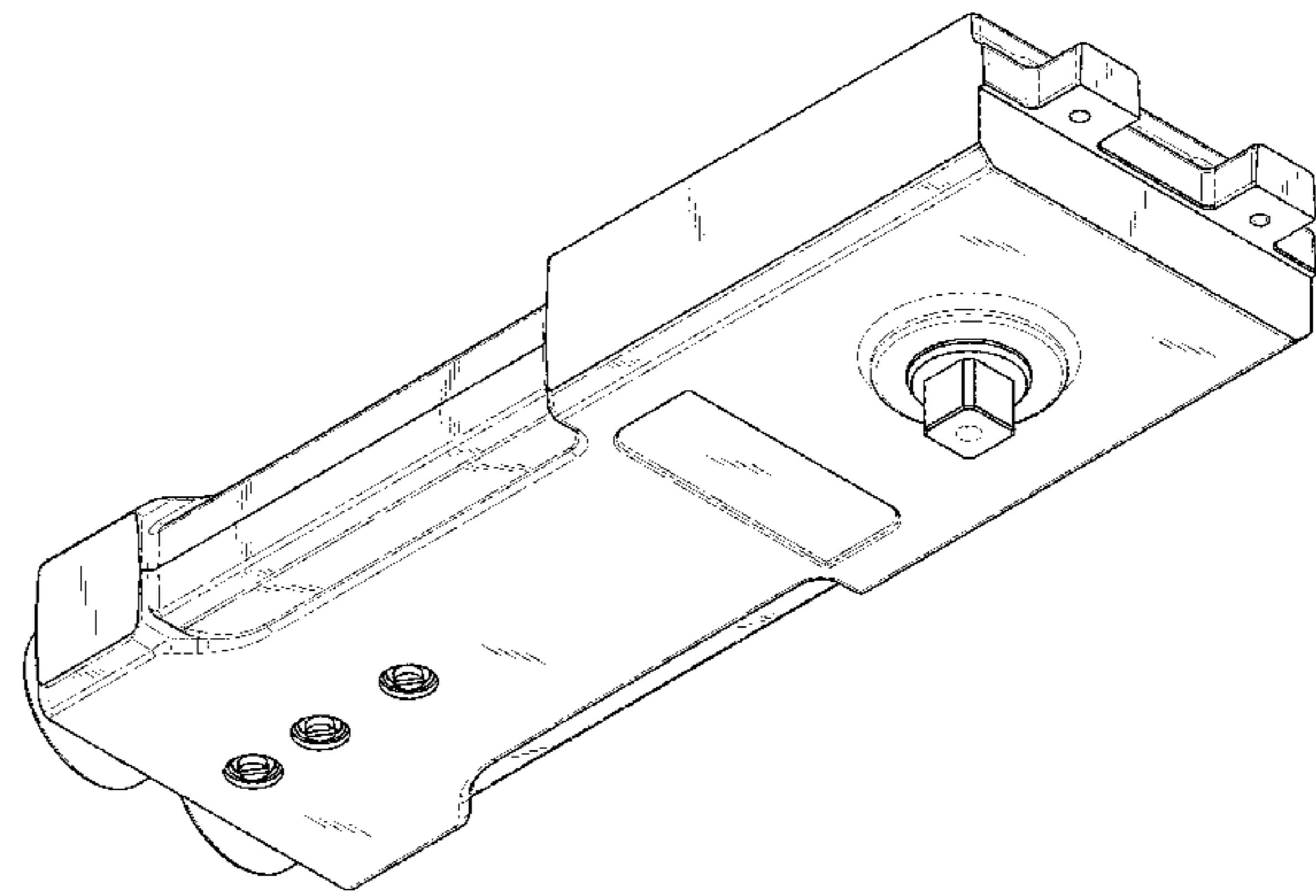
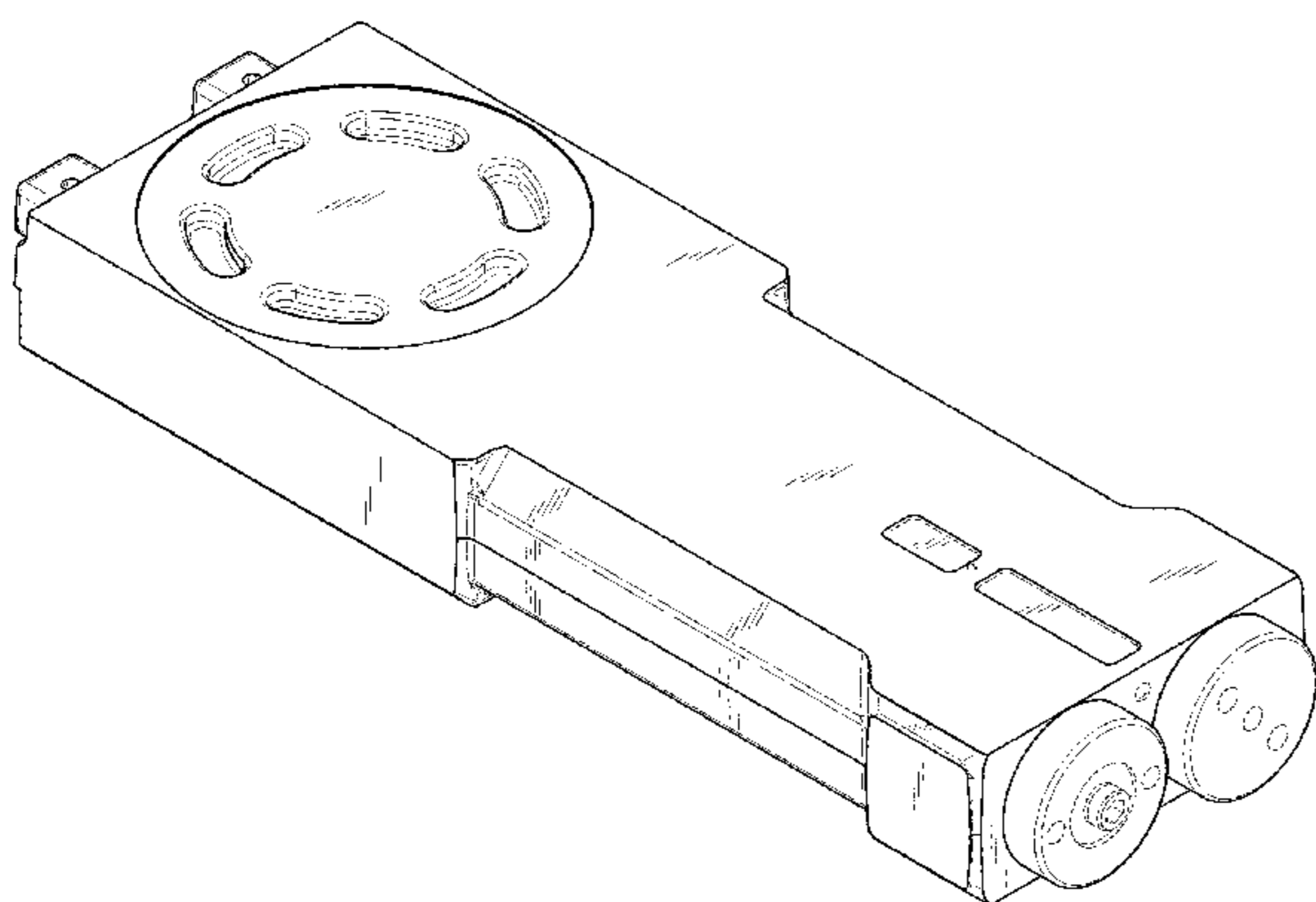
(57) **CLAIM**

What is claimed is the ornamental shape of a door closer, as shown and described.

DESCRIPTION

FIG. 1 is a top isometric view of a door closer, showing my new design.
FIG. 2 is a bottom isometric view thereof.
FIG. 3 is a top plan view thereof.
FIG. 4 is a front elevation view thereof, with the rear elevation view being a mirror image thereof.
FIG. 5 is a bottom plan view thereof.
FIG. 6 is a left side elevation view thereof; and,
FIG. 7 is a right side elevation view thereof.
The broken lines shown in the Figures depict environmental subject matter only and are not part of the claimed design.

1 Claim, 5 Drawing Sheets



(56)

References Cited

U.S. PATENT DOCUMENTS

7,921,511	B2 *	4/2011	Johnson	E05F 3/104 16/52
7,966,771	B2	6/2011	Biemek		
D673,026	S *	12/2012	Kubota	D8/330
D674,267	S *	1/2013	Kubota	D8/330
8,863,357	B1	10/2014	Chang		
D799,577	S *	10/2017	Ushio	D16/136
D824,975	S *	8/2018	Tabuchi	D15/148
2003/0070255	A1	4/2003	Huang		
2004/0088822	A1 *	5/2004	Huang	E05F 3/104 16/60
2006/0021189	A1	2/2006	Johnson		
2006/0196008	A1	9/2006	Karkkainen		
2007/0067950	A1 *	3/2007	Johnson	E05F 3/104 16/63
2008/0034535	A1	2/2008	Chang		
2008/0092447	A1	4/2008	Biemek		
2008/0127562	A1	6/2008	Biemek		
2008/0209811	A1	9/2008	Biemek		
2008/0222957	A1	9/2008	Biemek		
2011/0030167	A1 *	2/2011	Chiang	E05F 3/104 16/78
2011/0231023	A1	9/2011	Copeland		
2018/0080248	A1 *	3/2018	Tang	E05B 3/00
2018/0163432	A1 *	6/2018	Garneau	E05B 47/0012

OTHER PUBLICATIONS

CRL Jackson Grade-1 Heavy-Duty Spring 1¹³/₆₄" Extended Spindle Concealed (Model 20116M11B), available at <http://crlaurence.com/crlapps/showline/offerpage.aspx?ProductID=192665&GroupID=67272&History=39325:3197:61559:61631:61702:61631&ModelID=67272&pom=0> (last accessed Sep. 19, 2016).

C.R. Laurence CRL Diamond Style Spindle Medium Duty 105° No Hold-Open Retrofit Overhead Concealed Door Closer—Body Only, available at <http://www.sears.com/c-r-laurence-crl-diamond-style-spindle-medium-duty/p-SPM516748801?plpSellerId=Showerdoordirect.com&prdNo=1&blockNo=1&blockType=G1#> (last accessed Sep. 19, 2016).

Door Closer Maintenance, Repair and Adjustment Info, available at <http://www.parod.net/door-closer-info/> (last accessed Sep. 19, 2016).

Global Door Controls DC37-629 TC7730 Medium Duty Brute Concealed Door Closer Kawneer Husky, available at https://www.amazon.com/Global-Door-Controls-DC37-629-Concealed/dp/B00FG9E90W/ref=cm_cr_arp_d_product_top?ie=UTF8 (last accessed Sep. 19, 2016).

CR Laurence Door Hardware brochure 087100, available at <http://www.crlaurence.com/adv/Architects/sweets/087100%20crl%20buyline%203069.pdf> (last accessed Sep. 20, 2016).

* cited by examiner

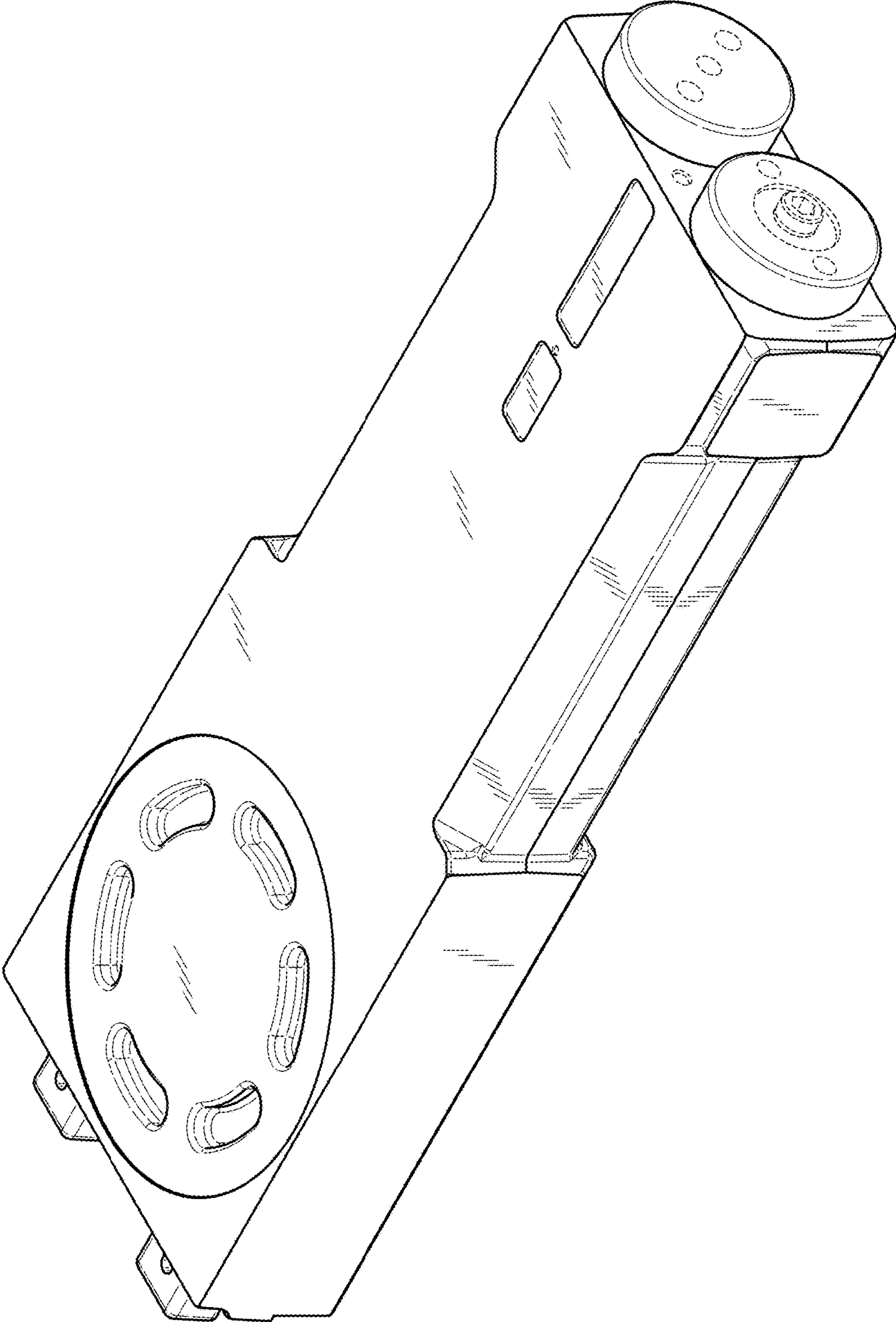


FIG. 1

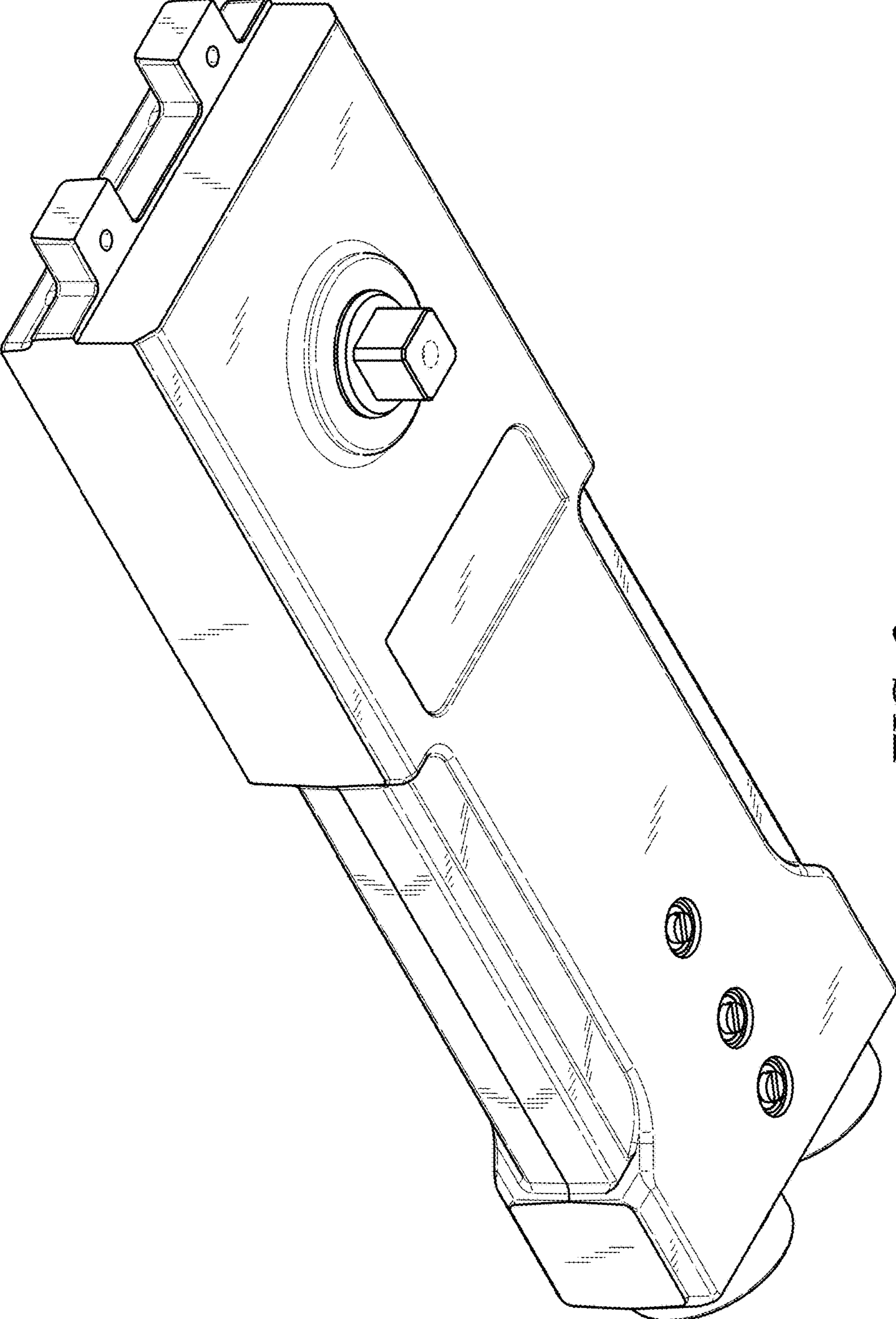


FIG. 2

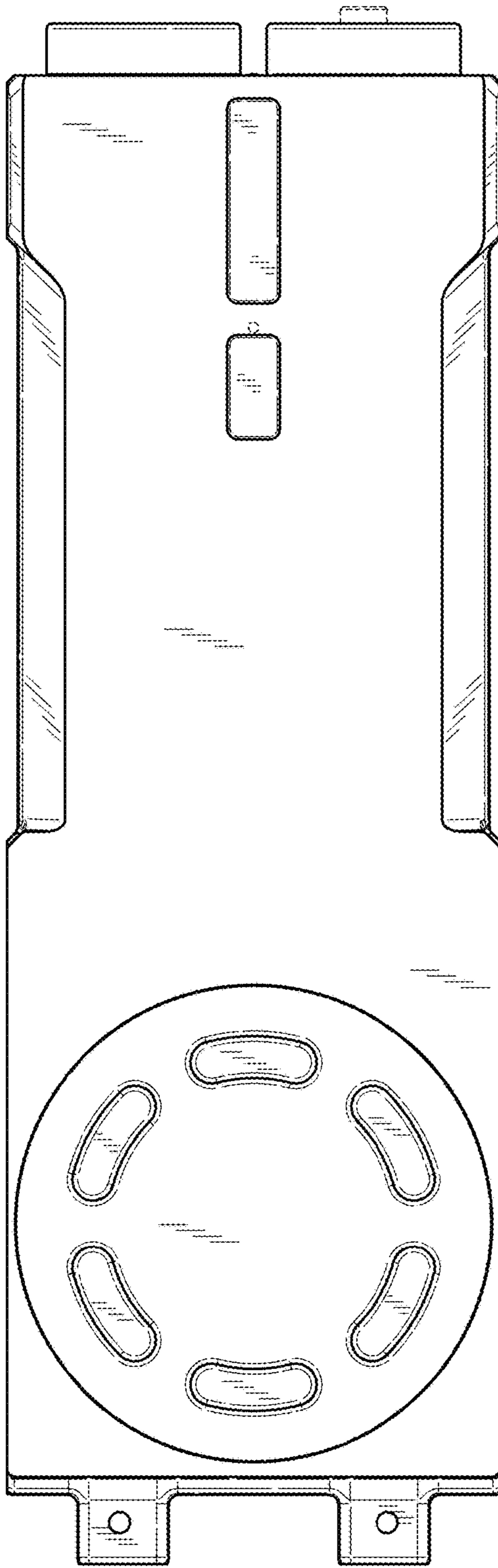


FIG. 3

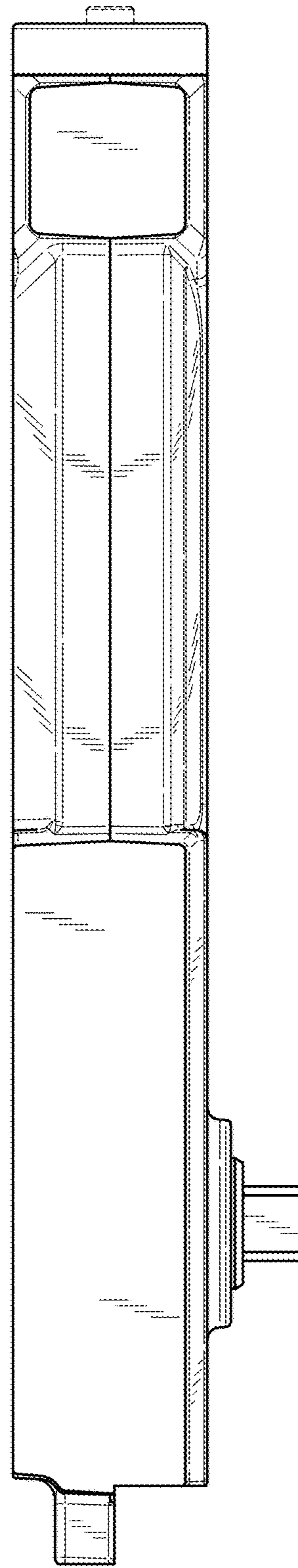


FIG. 4

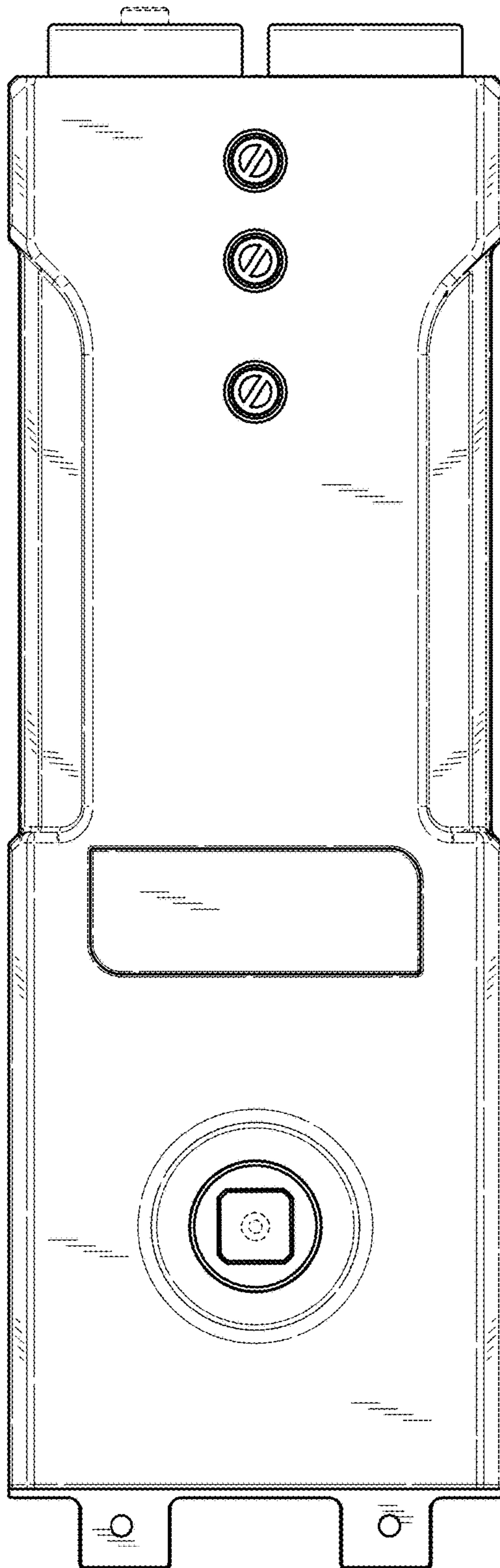


FIG. 5

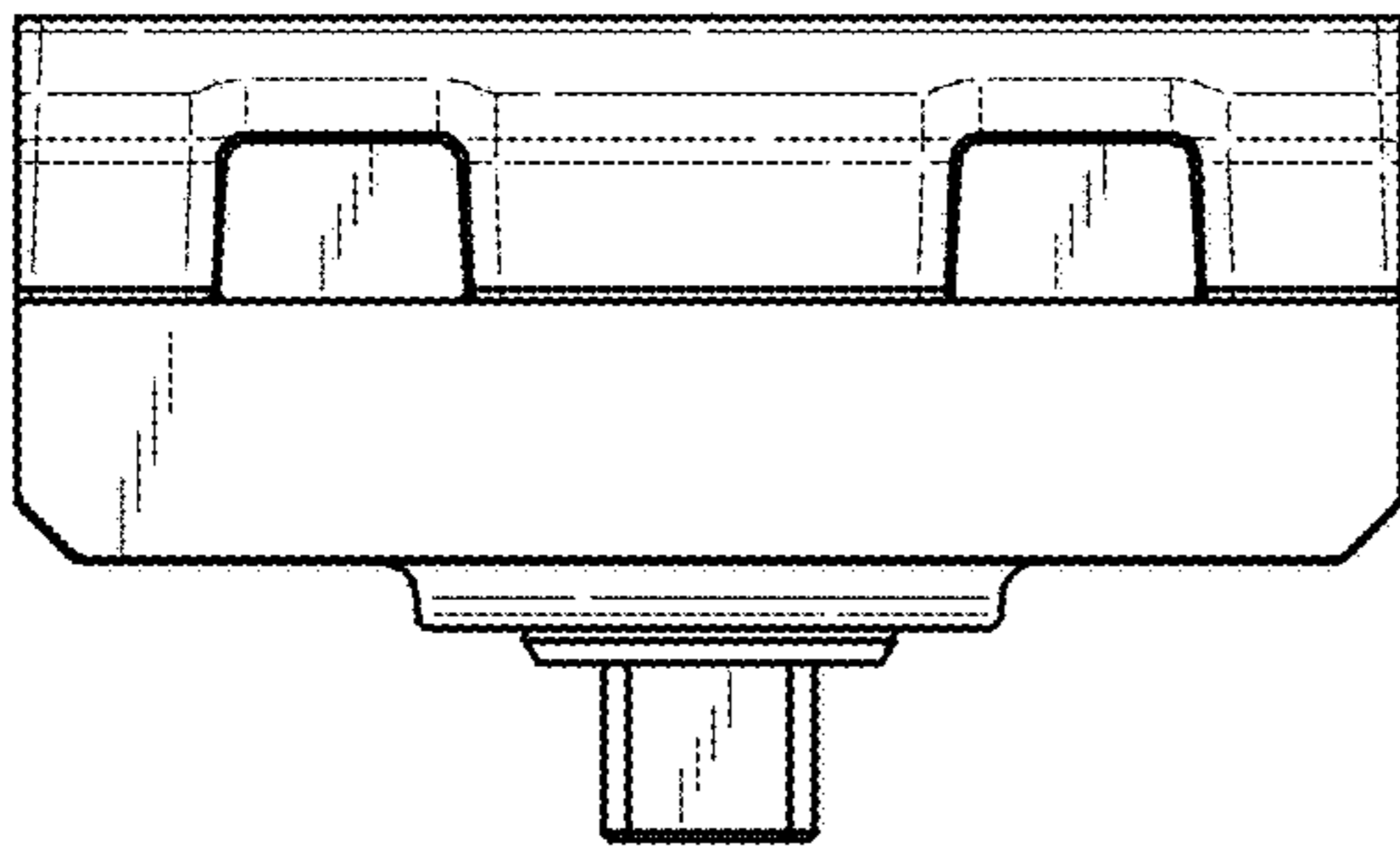


FIG. 6

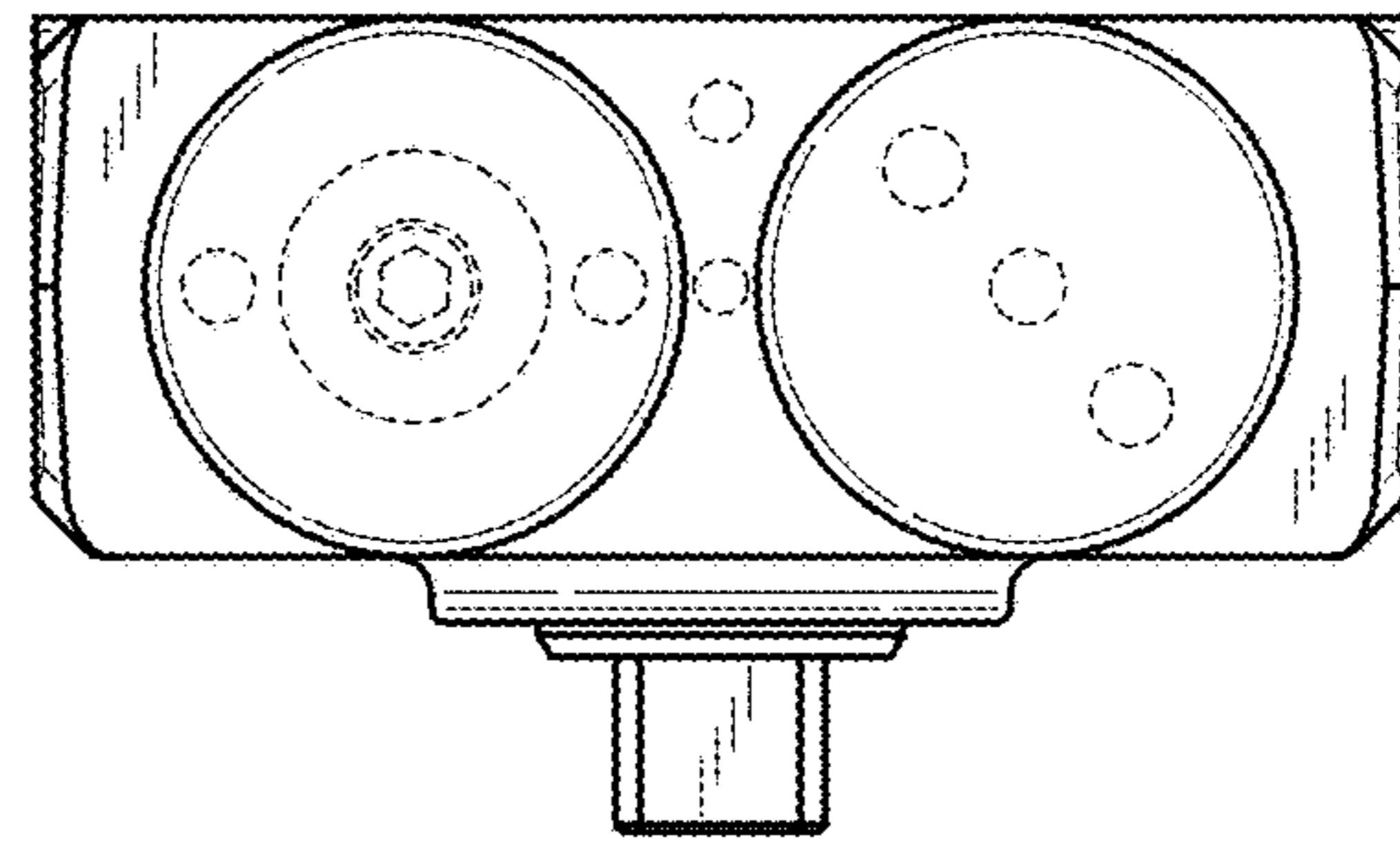


FIG. 7