



US00D858252S

(12) **United States Design Patent** (10) **Patent No.:** **US D858,252 S**
Waterhouse et al. (45) **Date of Patent:** **** Sep. 3, 2019**

- (54) **FLIP OVER HINGE** 3,549,246 A * 12/1970 Ruesch G02C 5/2245
 16/228
- (71) Applicants: **Matthew Nathan Waterhouse,** D222,234 S * 10/1971 Imber D8/323
 Hamilton (NZ); **Joseph Edward** D277,453 S * 2/1985 Wilman D8/323
Bradford, Cambridge (NZ); **Ernst** D348,823 S * 7/1994 Bisbing D8/323
Martin Kaubitzsch, Cambridge (NZ) 5,498,165 A * 3/1996 Tseng G06F 1/1616
 16/223
- (72) Inventors: **Matthew Nathan Waterhouse,** D392,175 S * 3/1998 Beck D16/334
 Hamilton (NZ); **Joseph Edward** D433,918 S * 11/2000 Bradley D8/323
Bradford, Cambridge (NZ); **Ernst** D533,433 S * 12/2006 Loggen D8/329
Martin Kaubitzsch, Cambridge (NZ) D661,174 S * 6/2012 Ogawa D8/323
 D715,620 S * 10/2014 Tung D8/323
 D734,124 S * 7/2015 Corpuz, Jr. D8/323
 D796,296 S * 9/2017 Kaplan D8/323
- (73) Assignee: **Fiasco Limited,** Cambridge (NZ) 10,067,530 B2 * 9/2018 Tazbaz E05D 3/06
 10,073,495 B2 * 9/2018 Sharma G06F 1/1669
 D839,713 S * 2/2019 Woolley D8/323
 D839,714 S * 2/2019 Chai D8/323
- (**) Term: **15 Years** 2015/0116917 A1 * 4/2015 Aono G06F 1/1681
 361/679.04
- (21) Appl. No.: **29/649,049** 2016/0205792 A1 * 7/2016 Ahn H05K 5/0017
 40/779
- (22) Filed: **May 25, 2018**
- (51) **LOC (12) Cl.** **08-06**
- (52) **U.S. Cl.**
 USPC **D8/323**
- (58) **Field of Classification Search**
 USPC D8/323, 327, 328, 329; 16/250, 251
 CPC E05D 5/12; E05D 51/02; E05D 11/082;
 E05D 11/0054; B64G 1/222; E05B 12/24;
 E05B 13/0292
- See application file for complete search history.

- (56) **References Cited**
 U.S. PATENT DOCUMENTS
- D30,721 S * 5/1899 Decker D8/323
 D31,750 S * 10/1899 White D8/323
 D32,031 S * 12/1899 Jones D8/323
 D32,032 S * 12/1899 Jones D8/323
 D157,745 S * 3/1950 Edwards D8/323
 D187,180 S * 2/1960 Detfinger D8/323

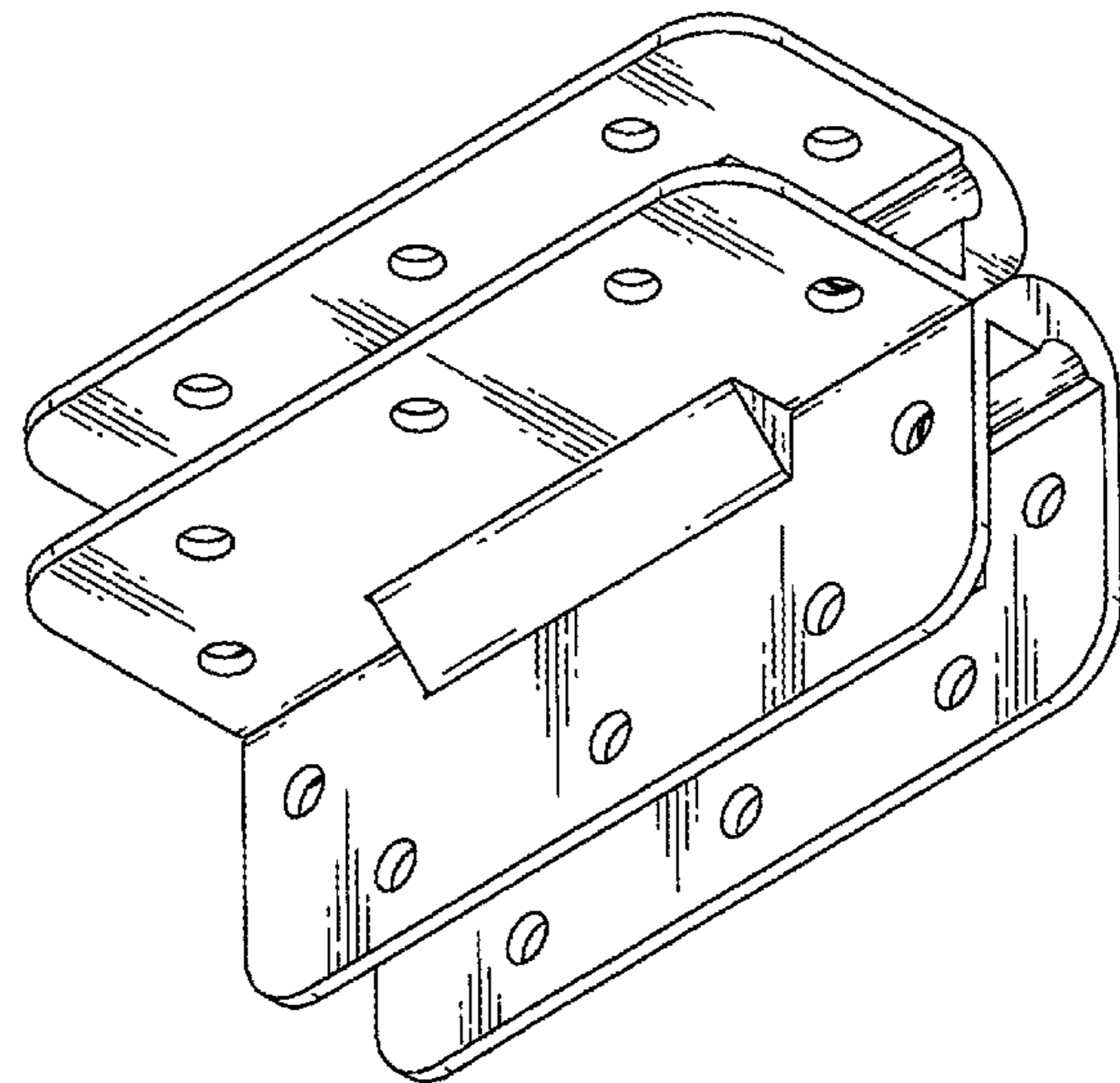
* cited by examiner
Primary Examiner — Cynthia R Underwood

(57) **CLAIM**
 The ornamental design of a flip over hinge, as shown and described in the drawings and specification.

DESCRIPTION

FIG. 1 is an isometric top front view thereof.
 FIG. 2 is a front view thereof.
 FIG. 3 is a rear view thereof.
 FIG. 4 is a left view thereof.
 FIG. 5 is a right view thereof.
 FIG. 6 is a top view thereof.
 FIG. 7 is a bottom view thereof; and,
 FIG. 8 is an isometric bottom rear view thereof.

1 Claim, 5 Drawing Sheets



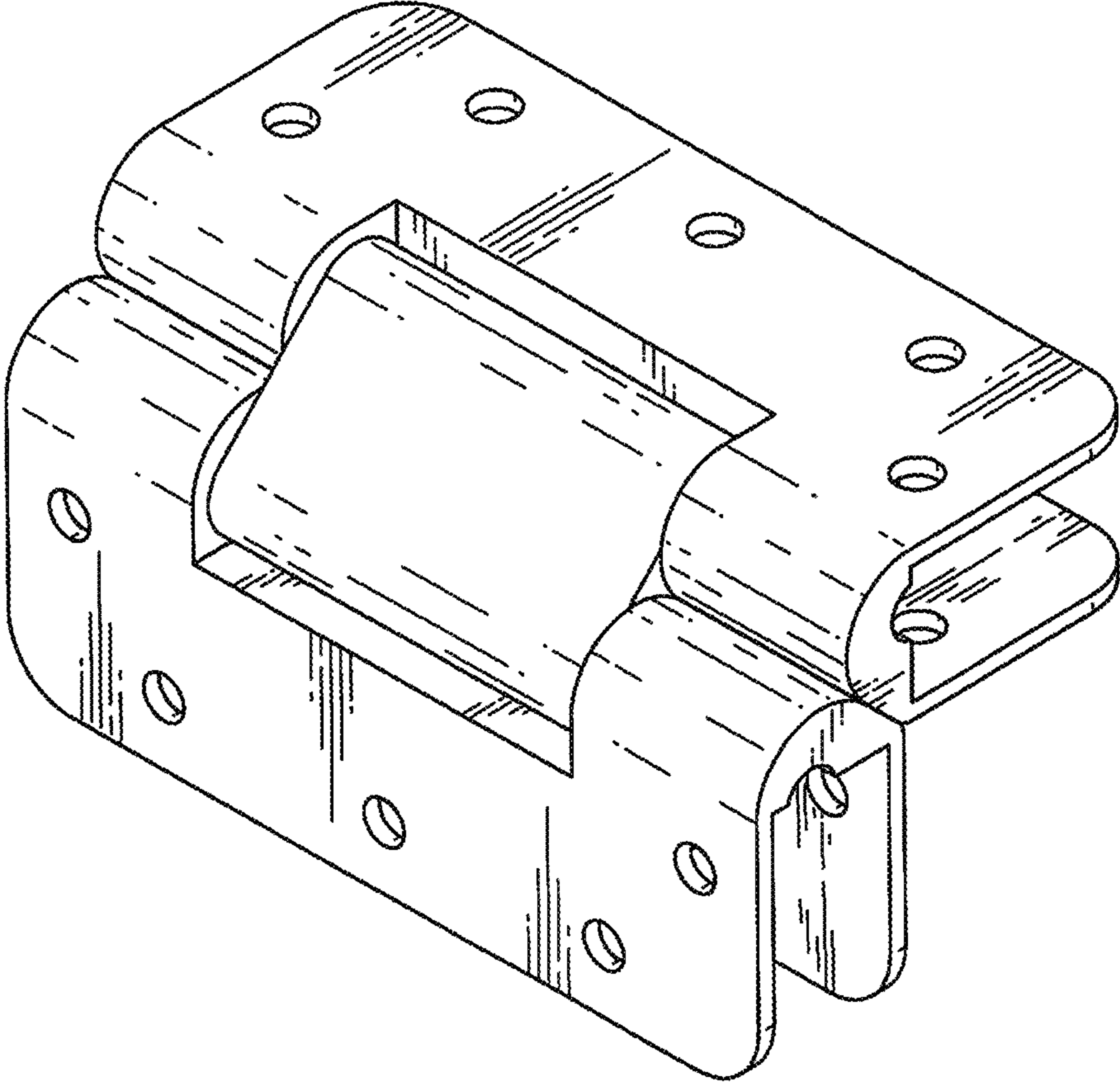


FIG. 1

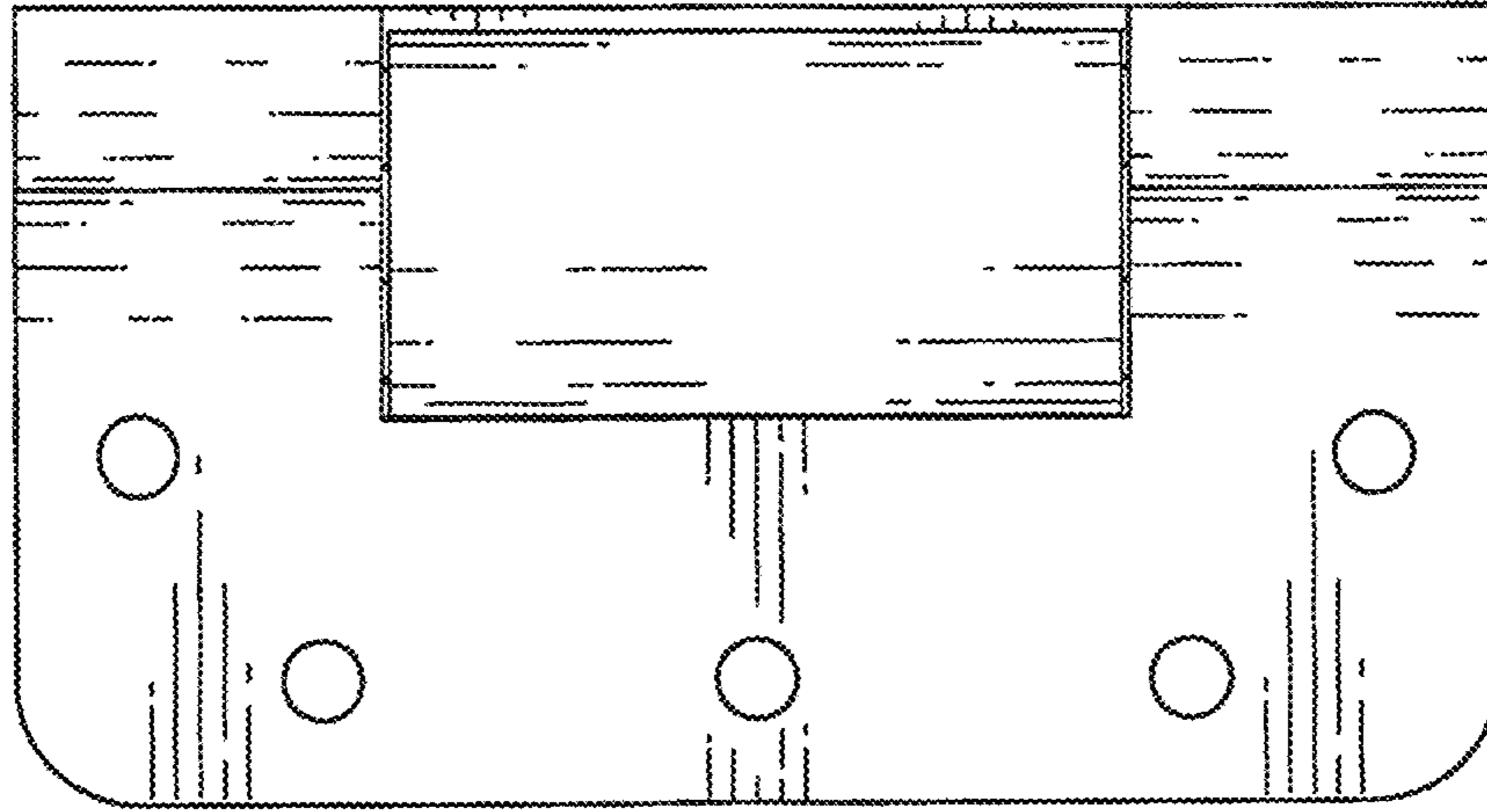


FIG. 2

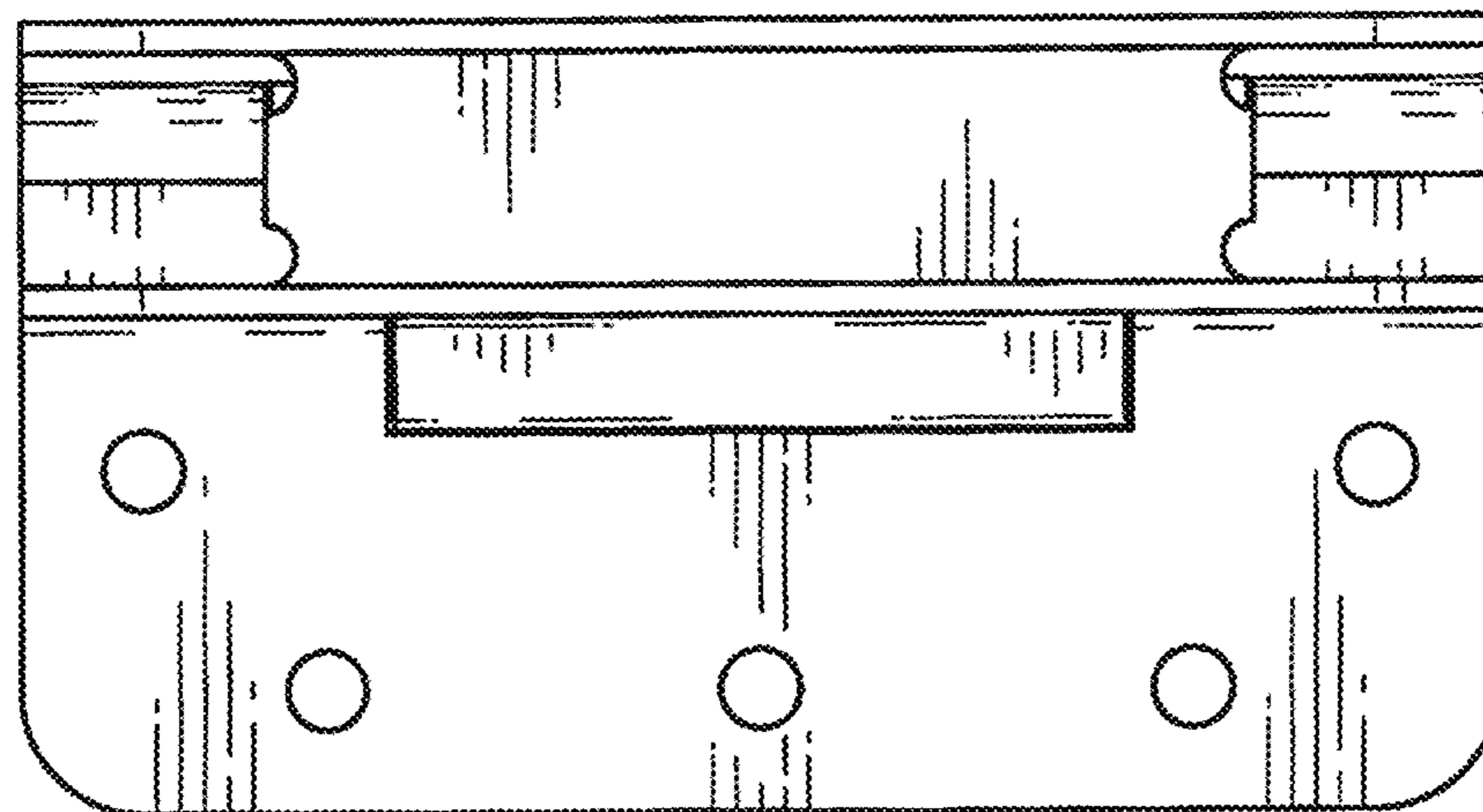


FIG. 3

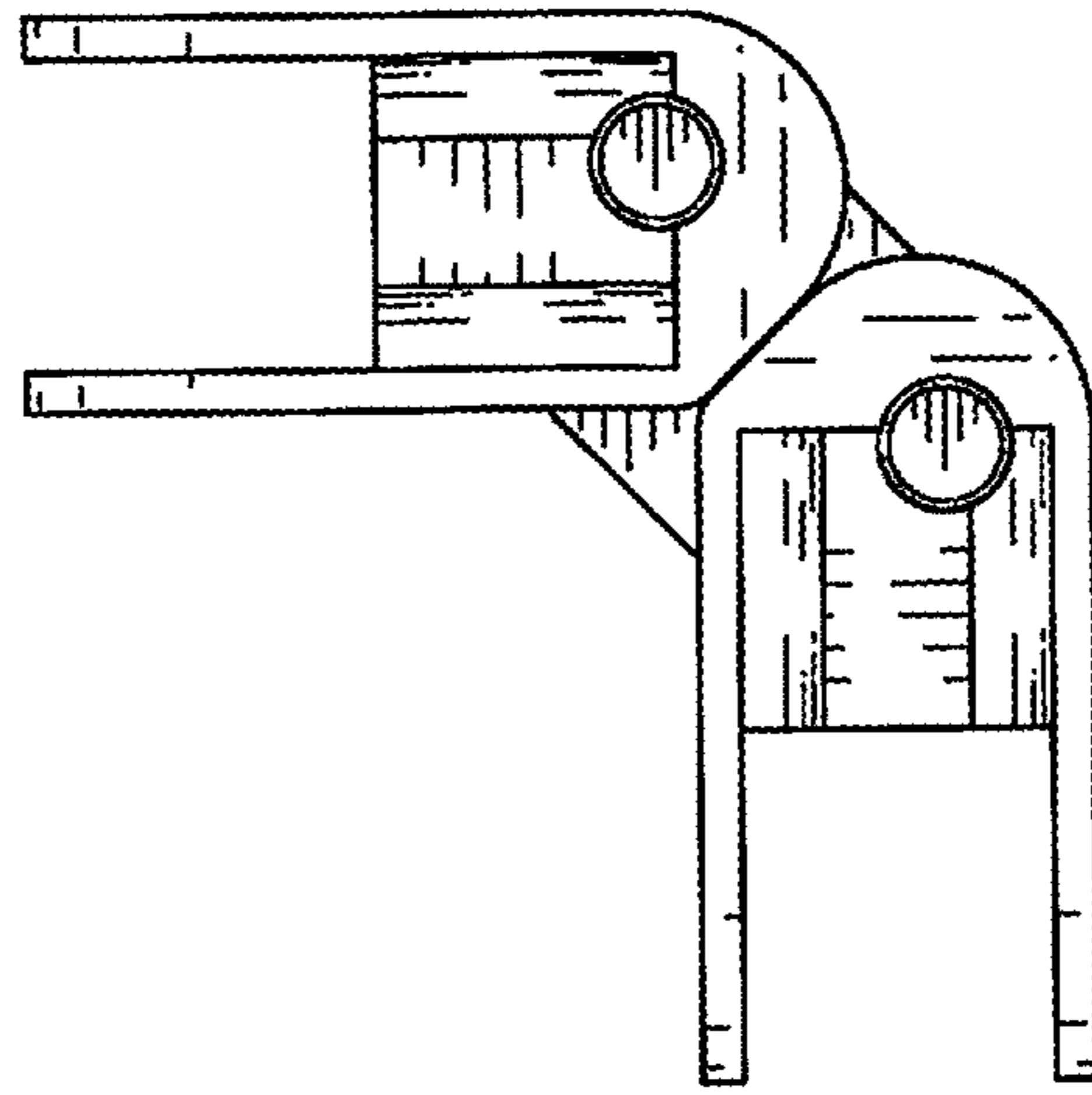


FIG. 4

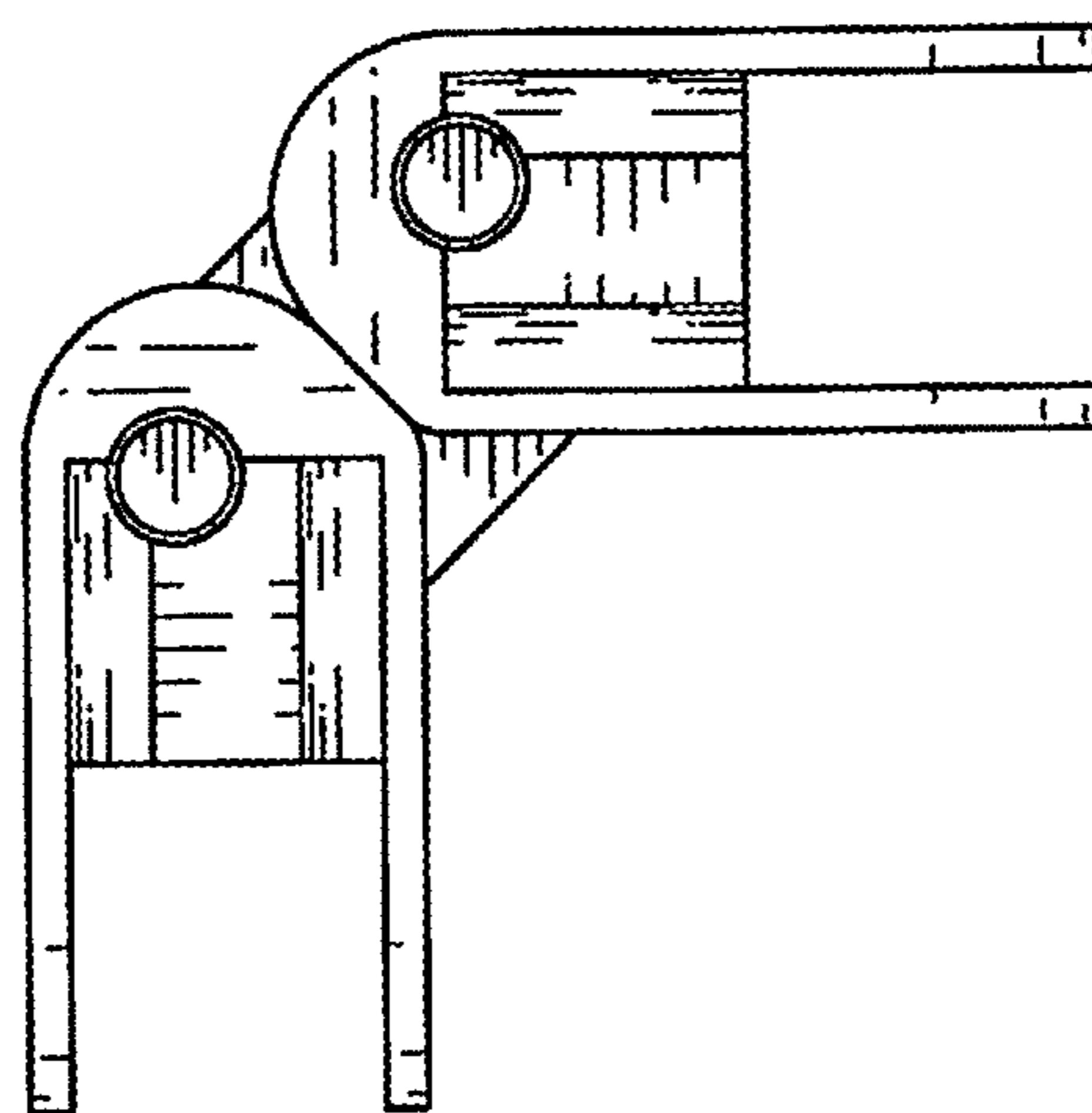


FIG. 5

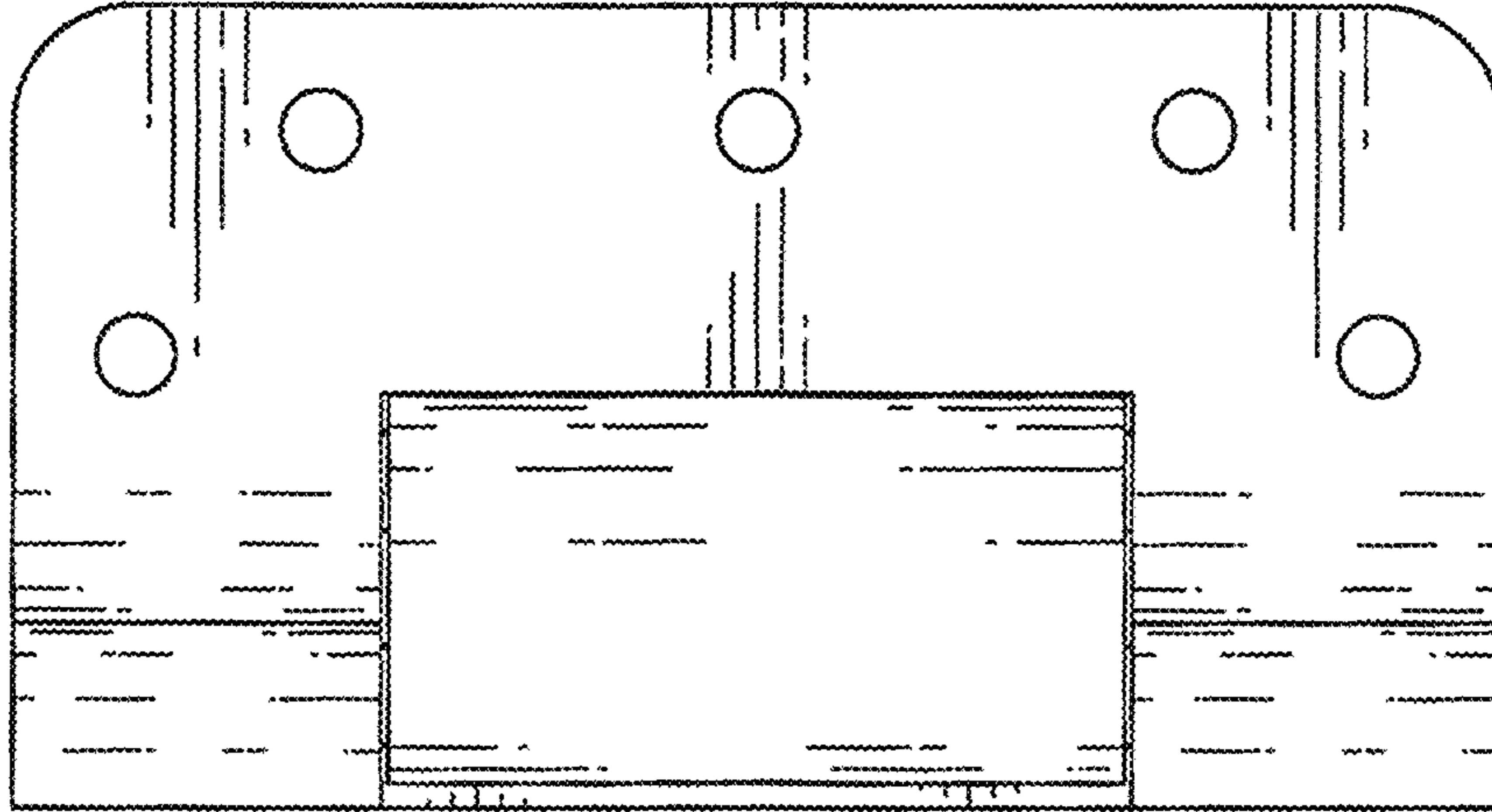


FIG. 6

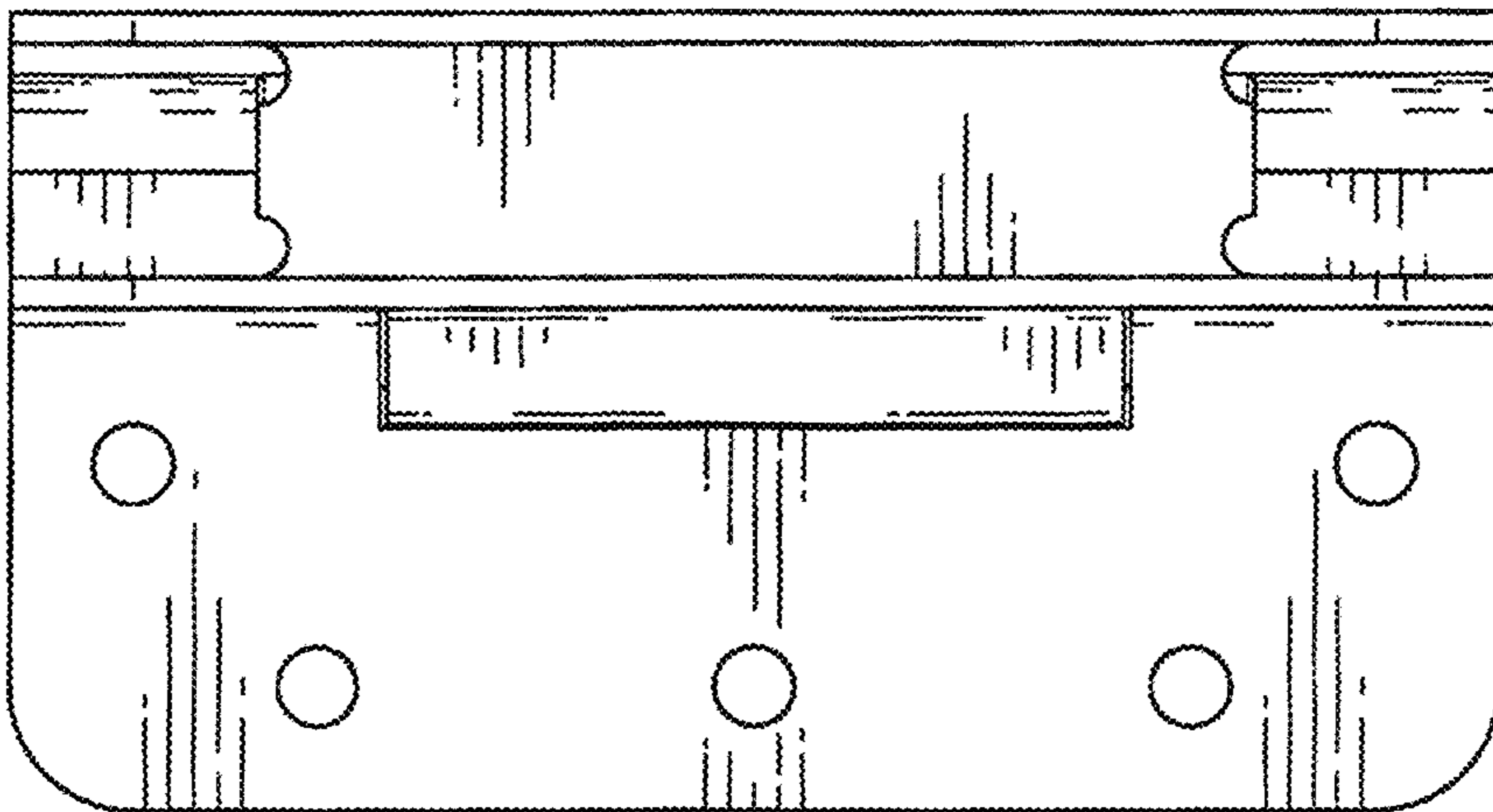


FIG. 7

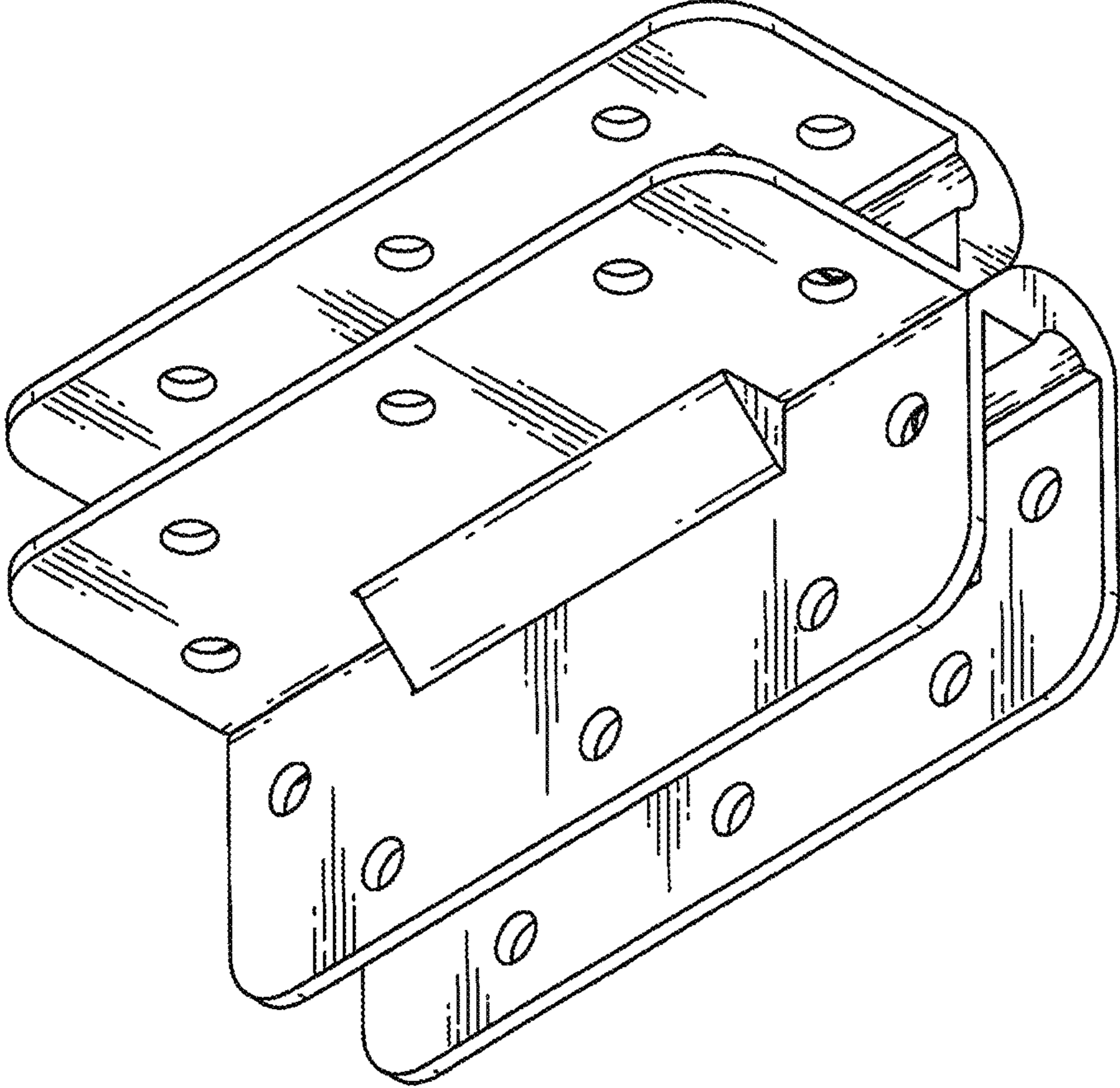


FIG. 8