



US00D858251S

(12) **United States Design Patent** (10) **Patent No.:** **US D858,251 S**
van Cronenburg (45) **Date of Patent:** **** Sep. 3, 2019**

(54) **OFFSET PIVOT HINGE**

- (71) Applicant: **van Cronenburg Architectural Hardware BVBA**, Ghent (BE)
- (72) Inventor: **Peter van Cronenburg**, Vinderhoute (BE)
- (73) Assignee: **van Cronenburg Architectural Hardware BVBA**, Ghent (BE)
- (**) Term: **15 Years**
- (21) Appl. No.: **29/646,626**
- (22) Filed: **May 6, 2018**
- (51) **LOC (12) Cl.** **08-06**
- (52) **U.S. Cl.**
USPC **D8/323**
- (58) **Field of Classification Search**
USPC D8/323, 327, 328, 329; 16/250, 251
(Continued)

(56) **References Cited**

U.S. PATENT DOCUMENTS

- D30,721 S * 5/1899 Decker D8/323
 - D31,750 S * 10/1899 White D8/323
- (Continued)

Primary Examiner — Cynthia R Underwood
(74) *Attorney, Agent, or Firm* — Hodgson Russ LLP

(57) **CLAIM**

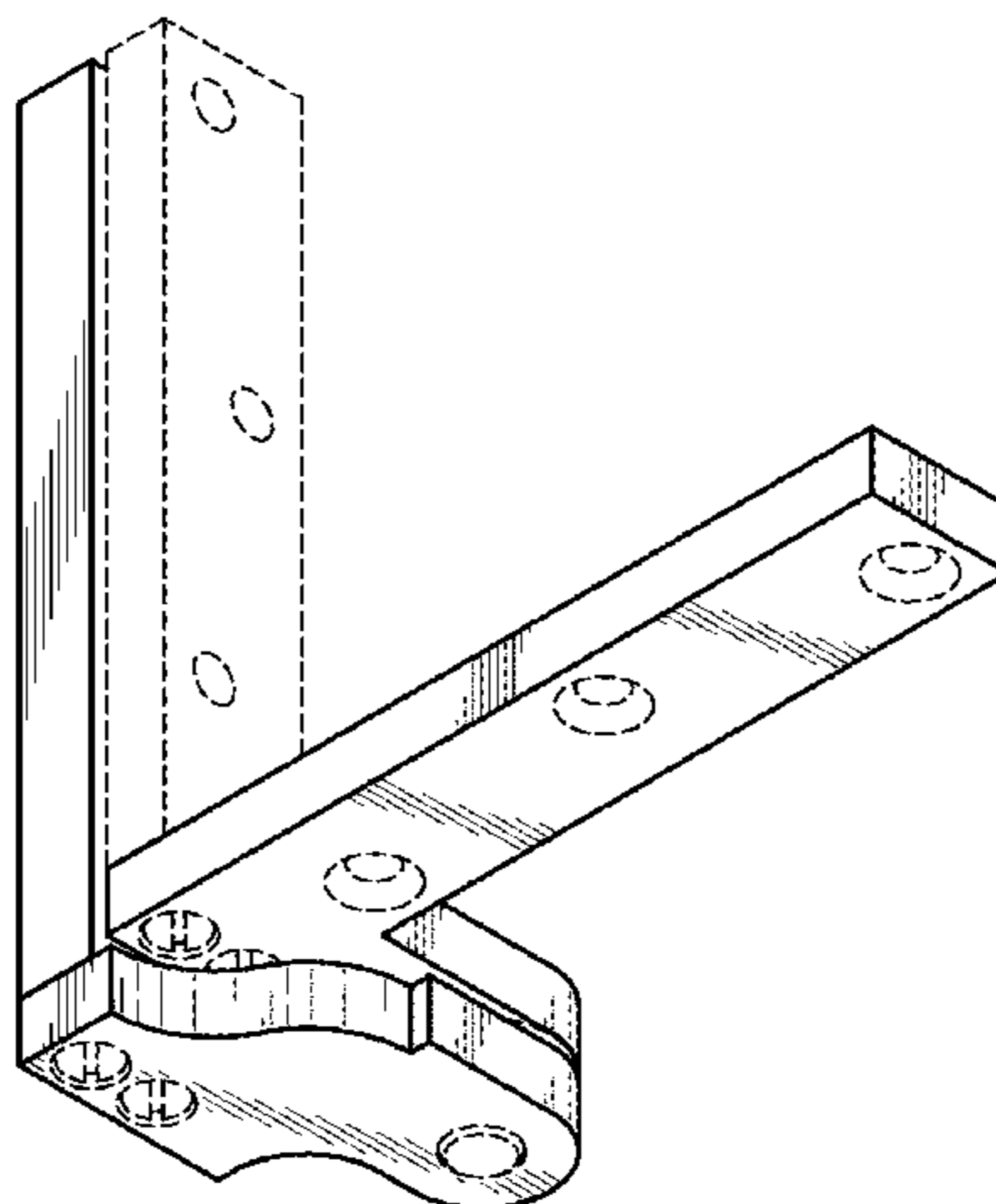
The ornamental design for an offset pivot hinge, as shown and described.

DESCRIPTION

FIG. 1 is a front top perspective view of an offset pivot hinge showing my new design in a first position;

FIG. 2 is a rear top perspective view of the offset pivot hinge of FIG. 1 in a second position;
 FIG. 3 is a front bottom perspective view of the offset pivot hinge of FIG. 1 in the first position;
 FIG. 4 is a rear bottom perspective view of the offset pivot hinge of FIG. 1 in the second position;
 FIG. 5 is a right side view of the offset pivot hinge of FIG. 1 in the first position;
 FIG. 6 is a left side view of the offset pivot hinge of FIG. 1 in the first position;
 FIG. 7 is a front elevational view of the offset pivot hinge of FIG. 1 in the first position;
 FIG. 8 is a rear elevational view of the offset pivot hinge of FIG. 1 in the first position;
 FIG. 9 is a top view of the offset pivot hinge of FIG. 1 in the first position;
 FIG. 10 is a bottom view of the offset pivot hinge of FIG. 1 in the first position;
 FIG. 11 is a front top perspective view of a second embodiment of an offset pivot hinge showing my new design in a first position;
 FIG. 12 is a rear top perspective view of the offset pivot hinge of FIG. 11 in a second position;
 FIG. 13 is a front bottom perspective view of the offset pivot hinge of FIG. 11 in the first position;
 FIG. 14 is a rear bottom perspective view of the offset pivot hinge of FIG. 11 in the second position;
 FIG. 15 is a left side view of the offset pivot hinge of FIG. 11 in the first position;
 FIG. 16 is a right side view of the offset pivot hinge of FIG. 11 in the first position;
 FIG. 17 is a rear elevational view of the offset pivot hinge of FIG. 11 in the first position;
 FIG. 18 is a front elevational view of the offset pivot hinge of FIG. 11 in the first position;
 FIG. 19 is a top view of the offset pivot hinge of FIG. 11 in the first position; and,
 FIG. 20 is a bottom view of the offset pivot hinge of FIG. 11 in the first position.
 The broken lines illustrate unclaimed features that form no part of the claimed design.

1 Claim, 20 Drawing Sheets



(58) **Field of Classification Search**

CPC E05D 5/12; E05D 51/02; E05D 11/082;
 E05D 11/0054; B64G 1/222; E05B 12/24;
 E05B 13/0292

See application file for complete search history.

(56) **References Cited**

U.S. PATENT DOCUMENTS

D32,031	S *	12/1899	Jones	D8/323
D32,032	S *	12/1899	Jones	D8/323
D157,745	S *	3/1950	Edwards	D8/323
D187,180	S *	2/1960	Dettinger	D8/323
3,549,246	A *	12/1970	Ruesch	G02C 5/2245 16/228
D222,234	S *	10/1971	Imber	D8/323
D277,453	S *	2/1985	Wilman	D8/323
D348,823	S *	7/1994	Bisbing	D8/323
5,498,165	A *	3/1996	Tseng	G06F 1/1616 16/223
D392,175	S *	3/1998	Beck	D16/334
D433,918	S *	11/2000	Bradley	D8/323
D661,174	S *	6/2012	Ogawa	D8/323
D715,620	S *	10/2014	Tung	D8/323
D734,124	S *	7/2015	Corpuz, Jr.	D8/323
D796,296	S *	9/2017	Kaplan	D8/323
10,067,530	B2 *	9/2018	Tazbaz	E05D 3/06
10,073,495	B2 *	9/2018	Sharma	G06F 1/1669
D839,713	S *	2/2019	Woolley	D8/323
D839,714	S *	2/2019	Chai	D8/323
2015/0116917	A1 *	4/2015	Aono	G06F 1/1681 361/679.04
2016/0205792	A1 *	7/2016	Ahn	H05K 5/0017 40/779

* cited by examiner

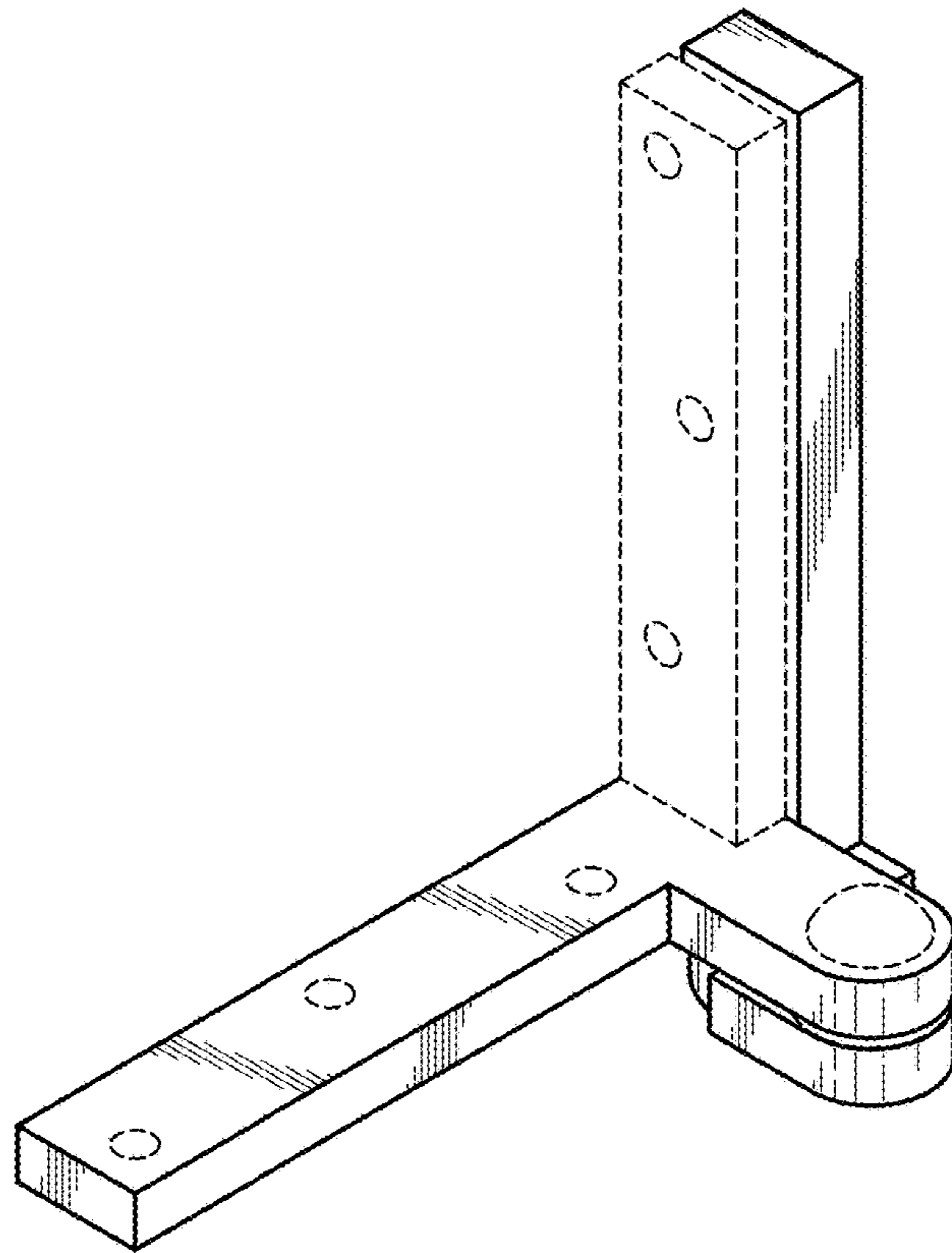


FIG. 1

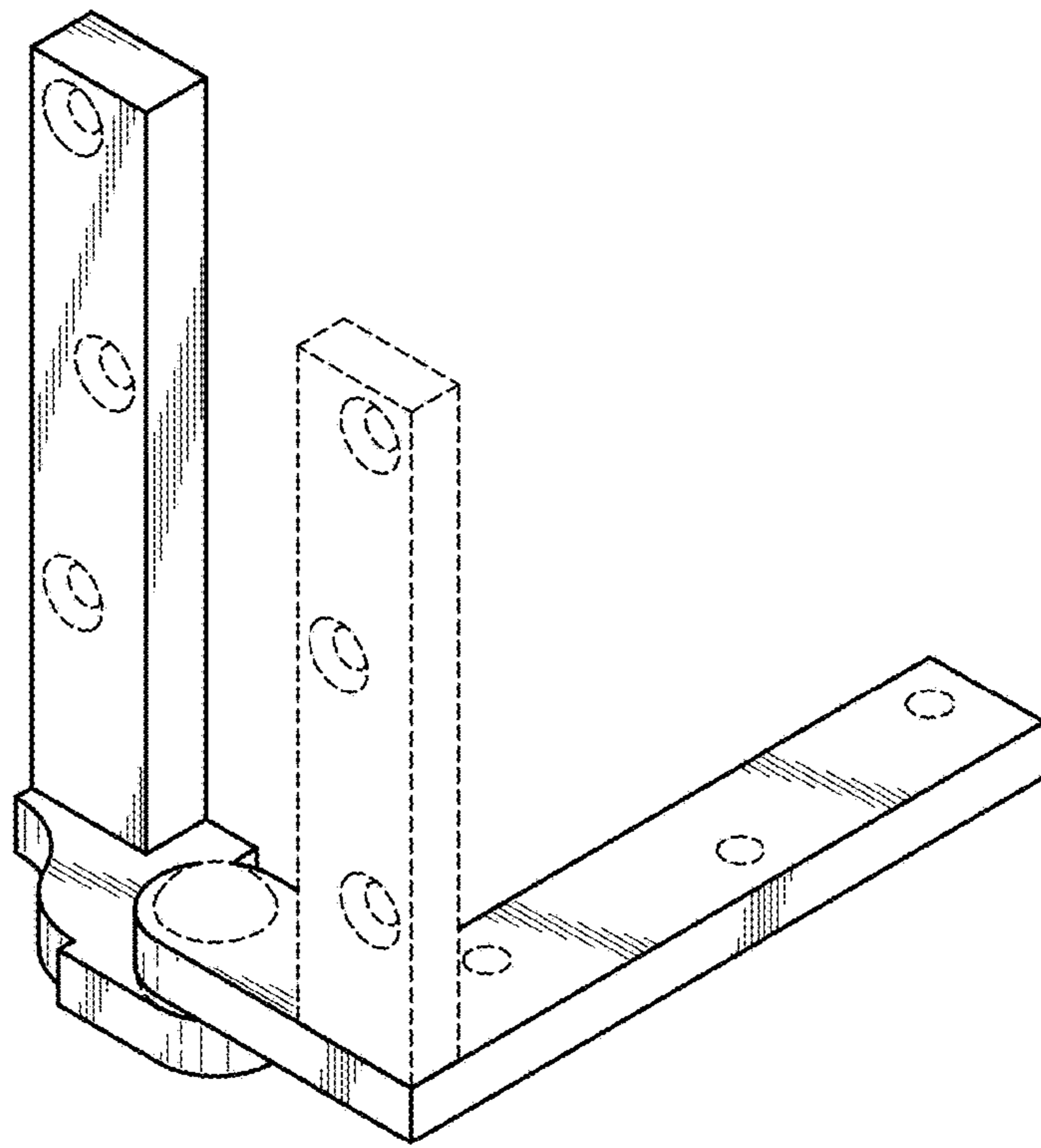


FIG. 2

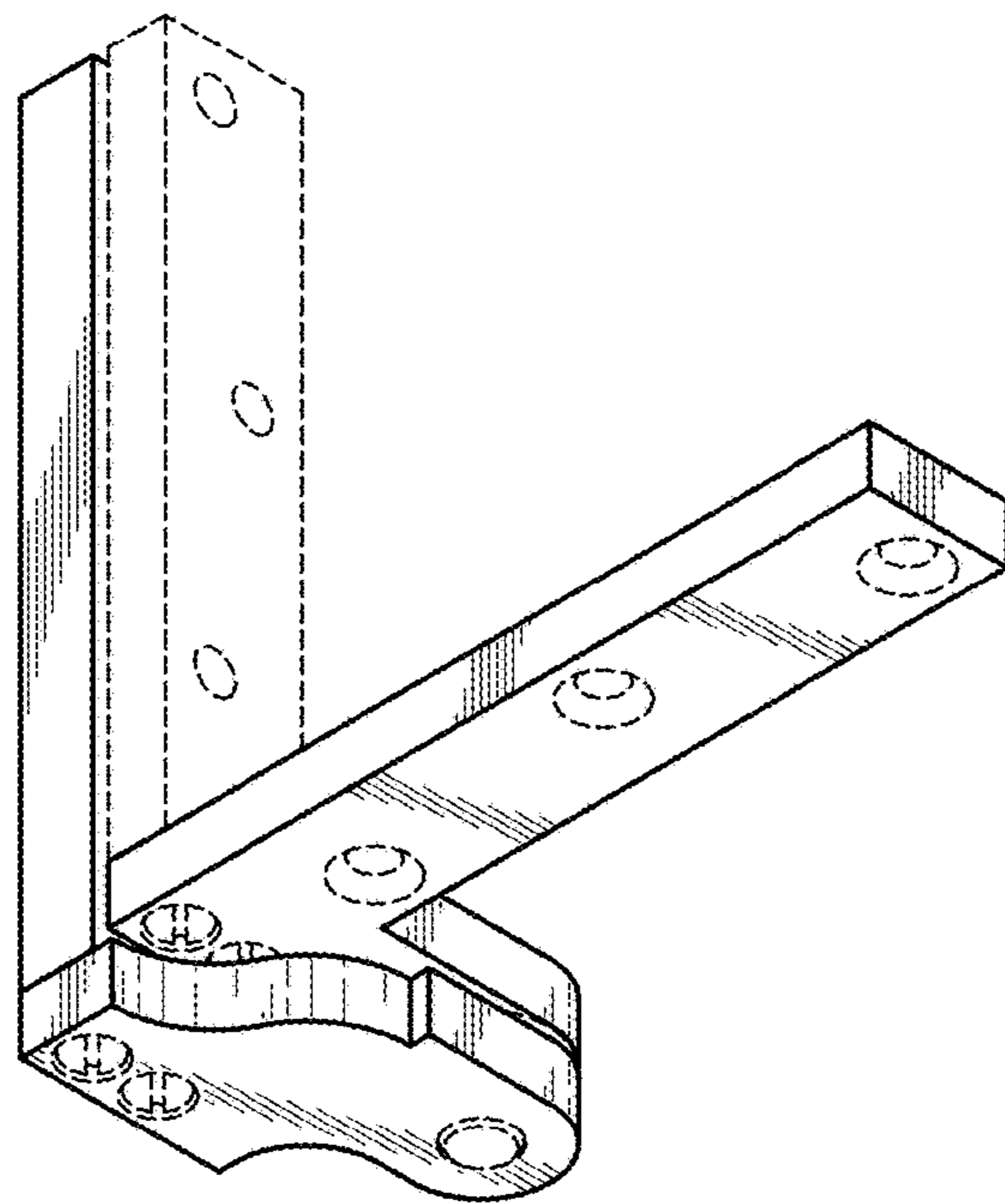


FIG. 3

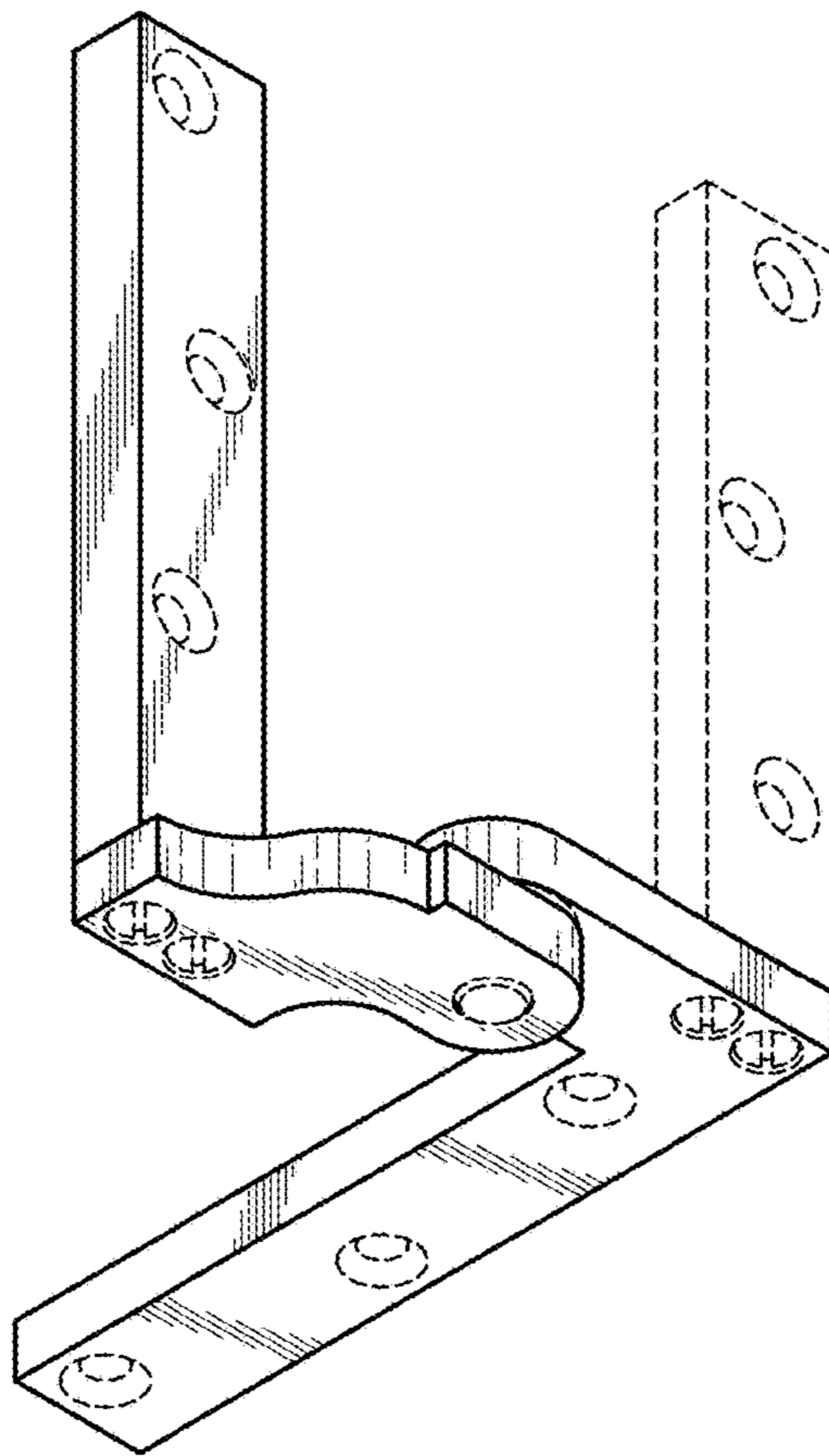


FIG. 4

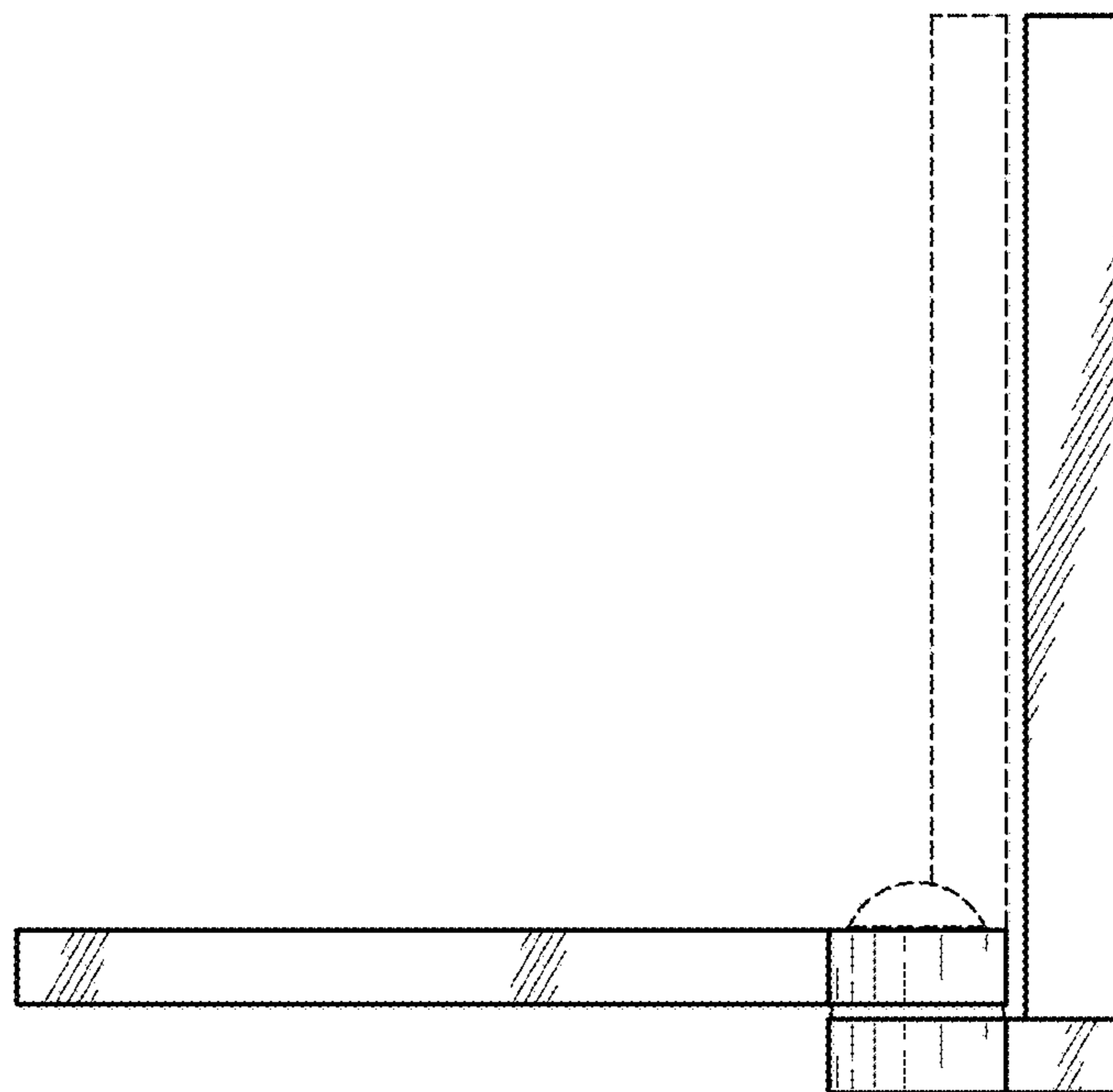


FIG. 5

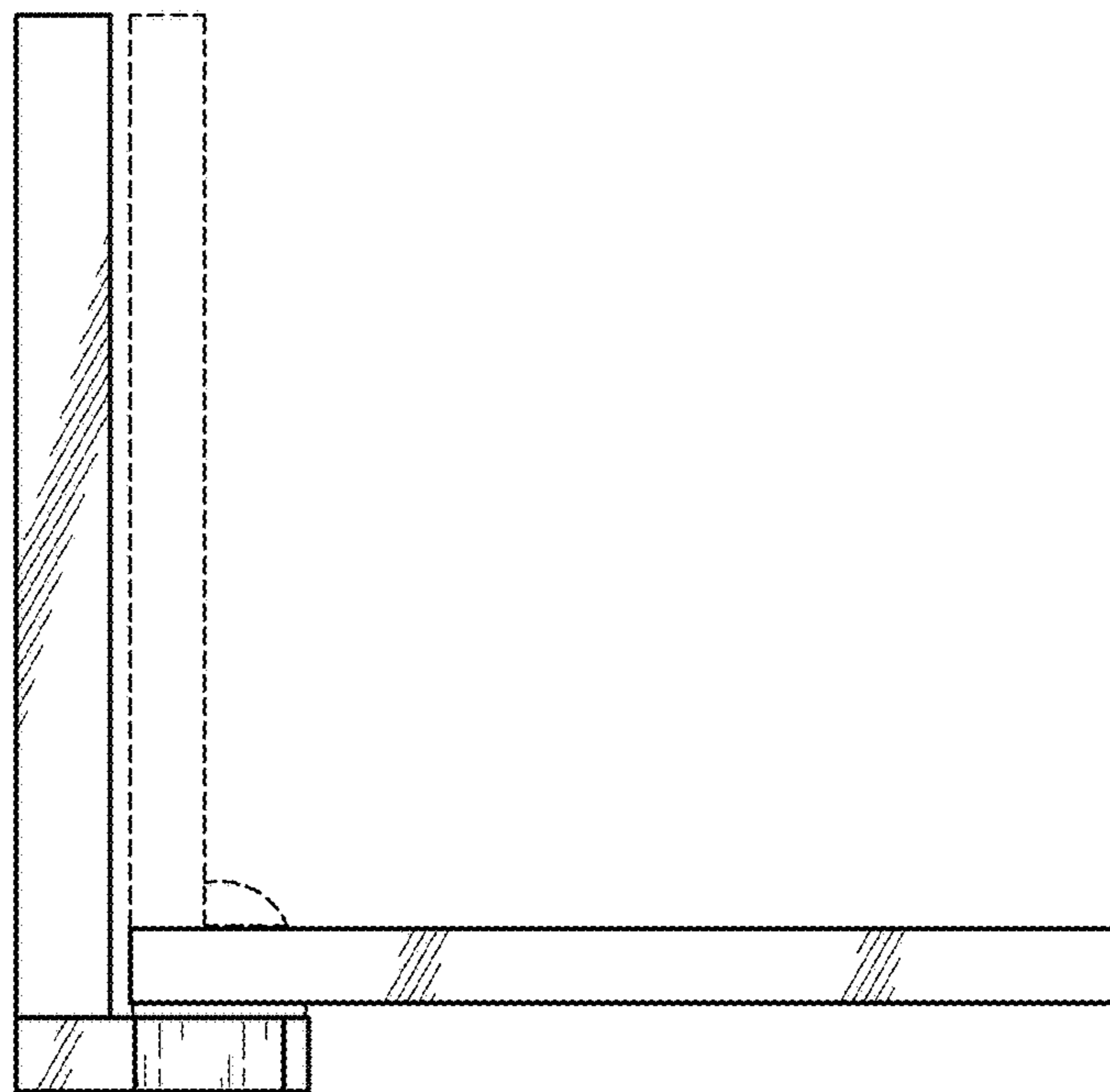


FIG. 6

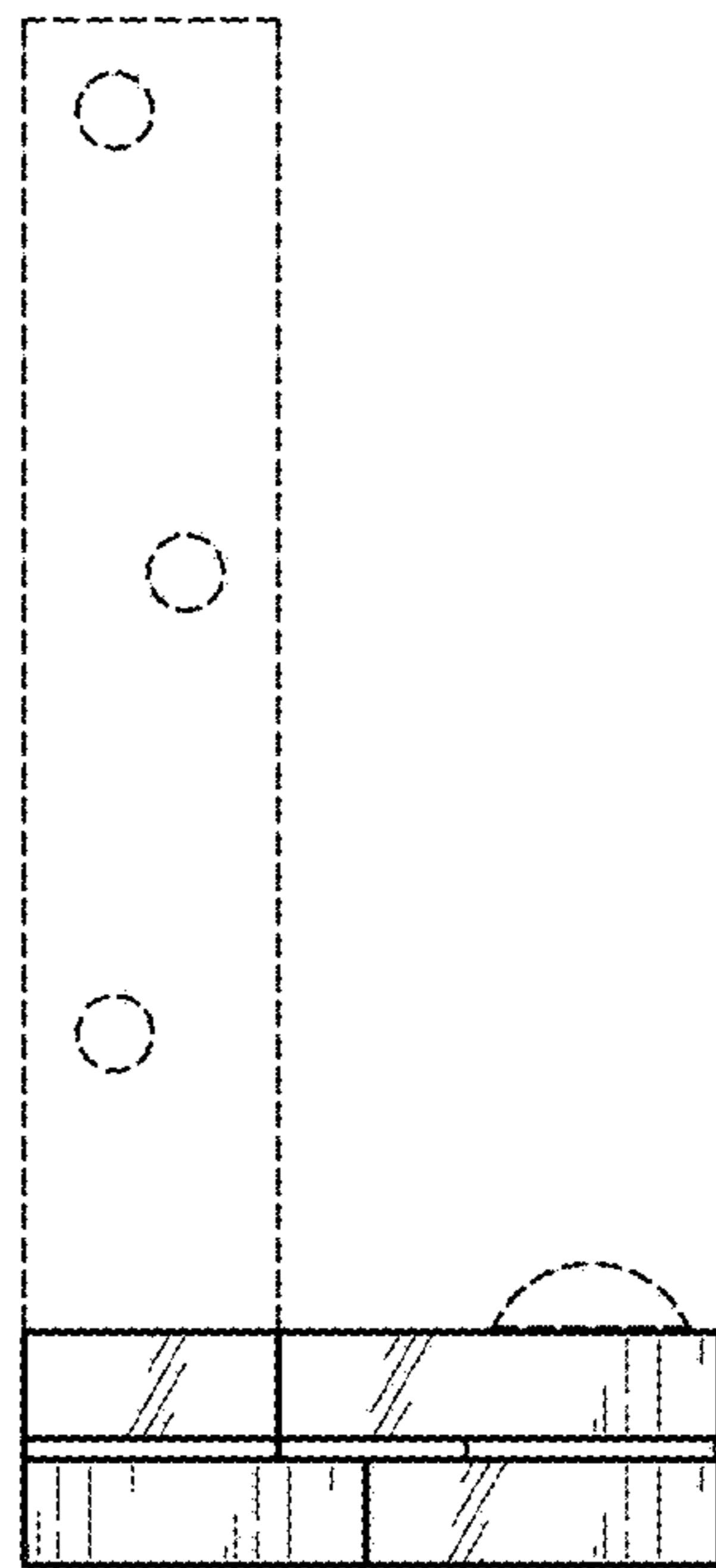


FIG. 7

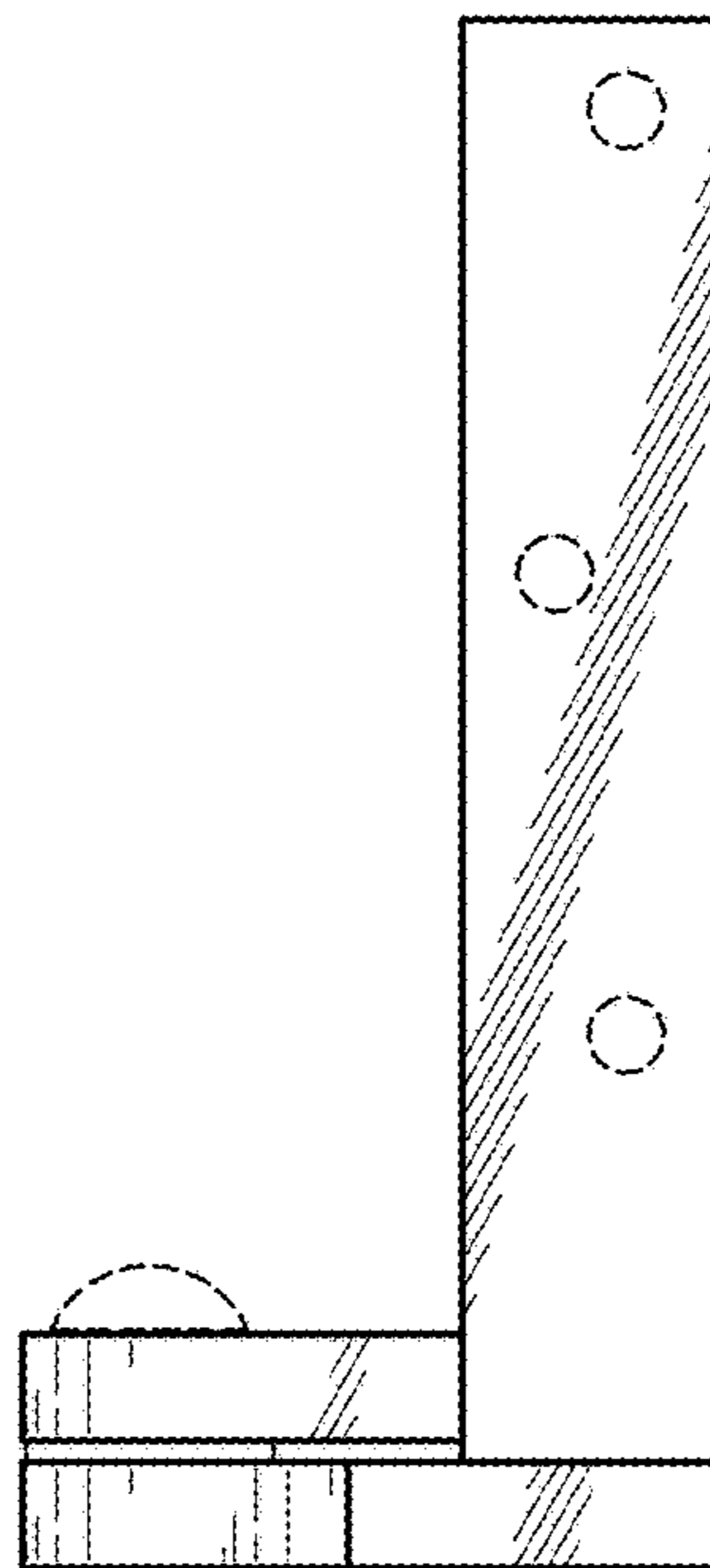


FIG. 8

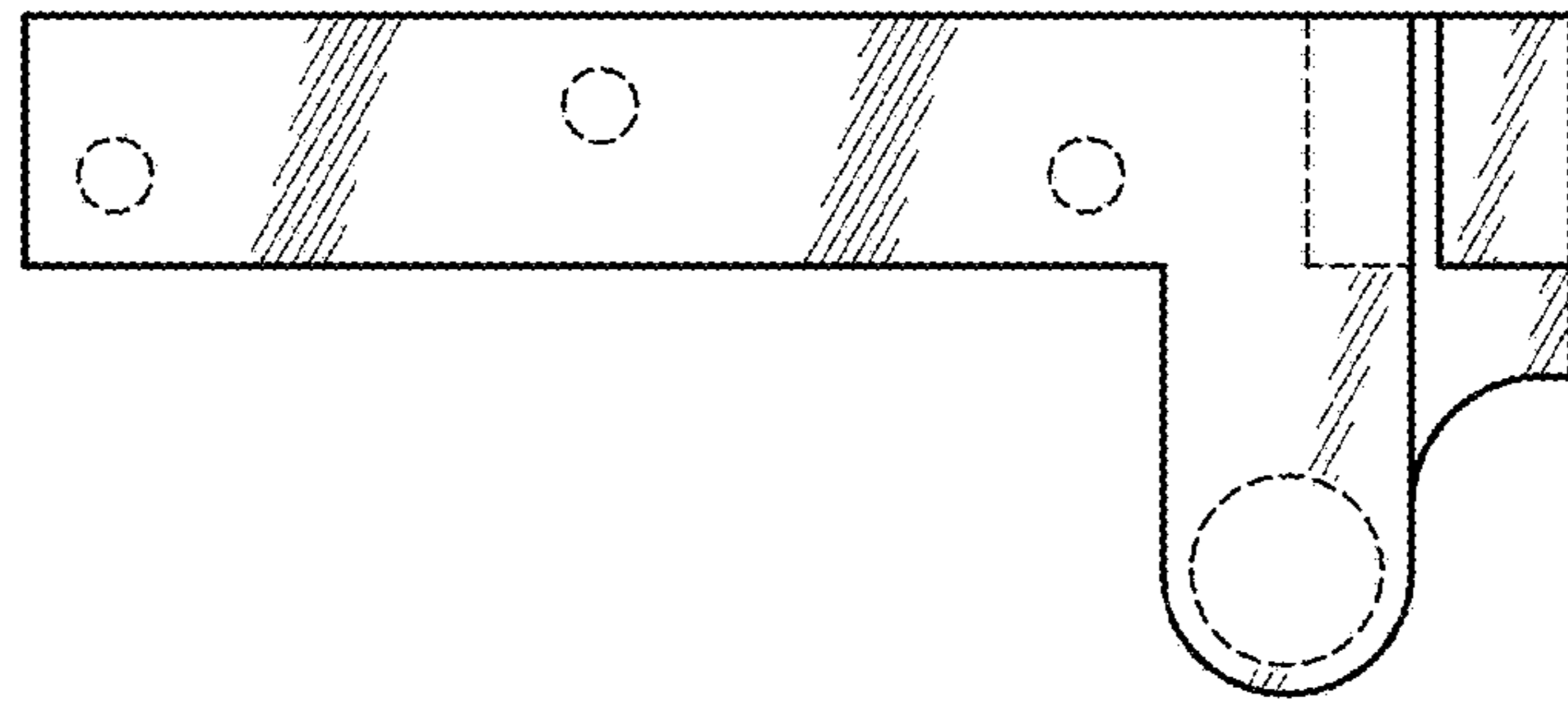


FIG. 9

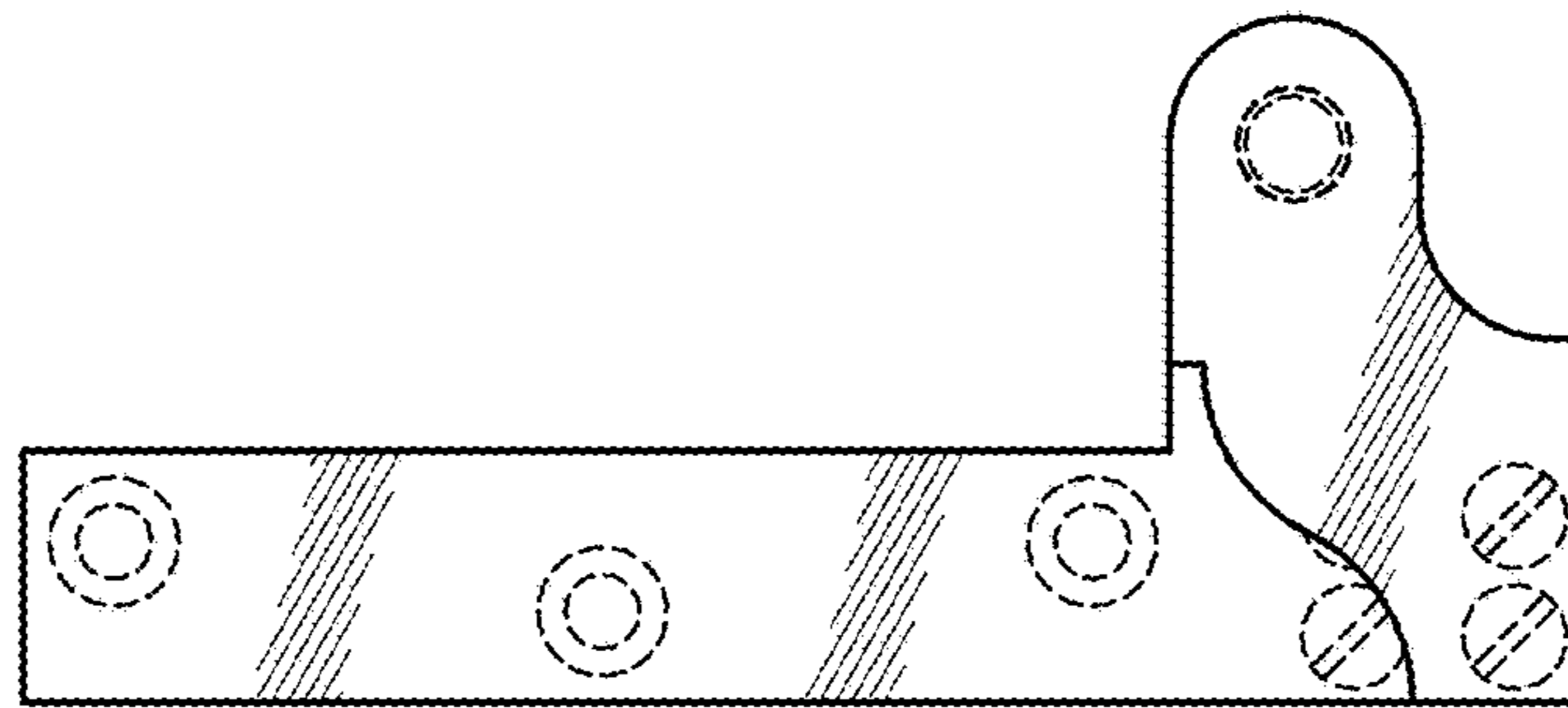


FIG. 10

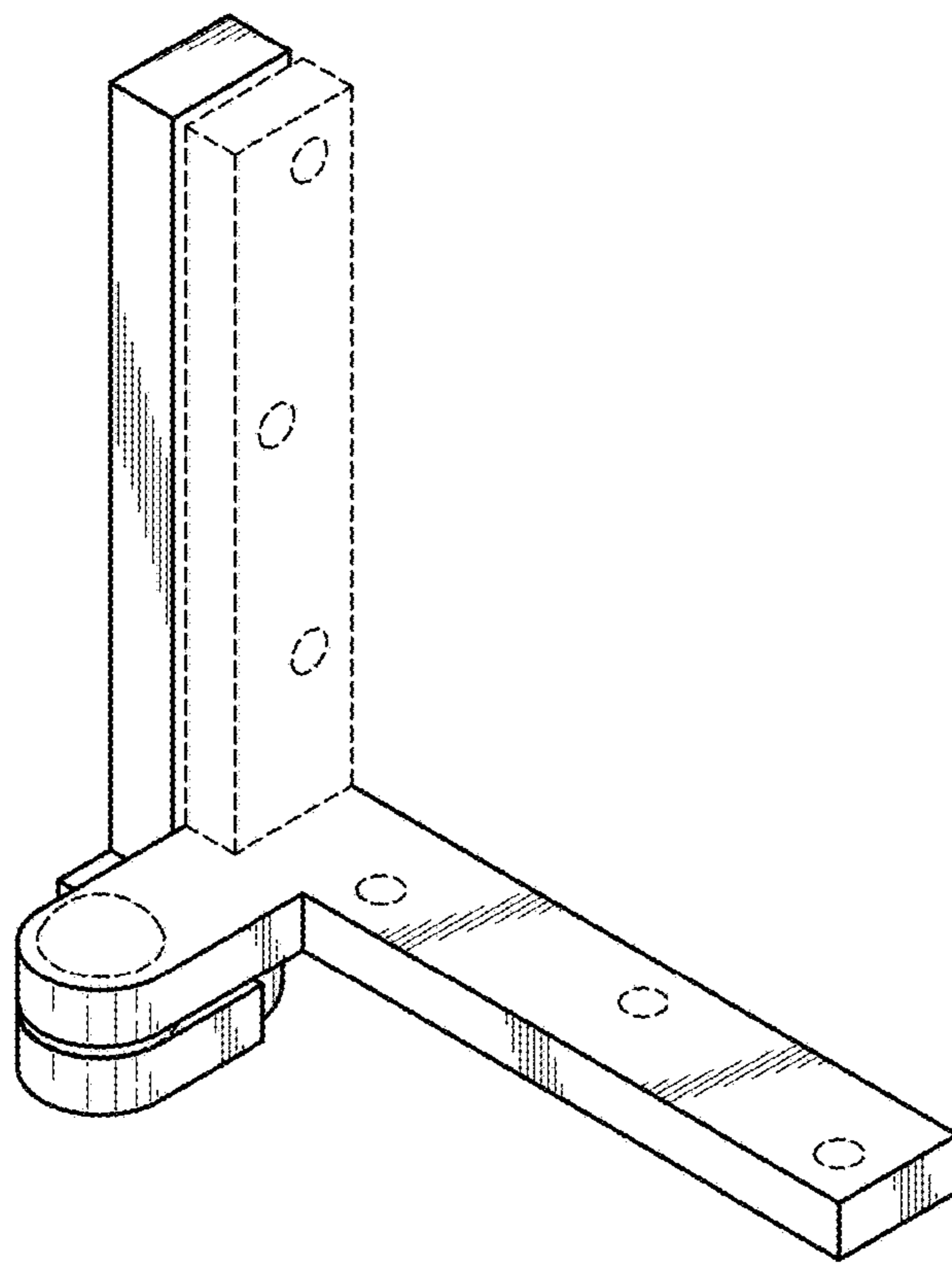


FIG. 11

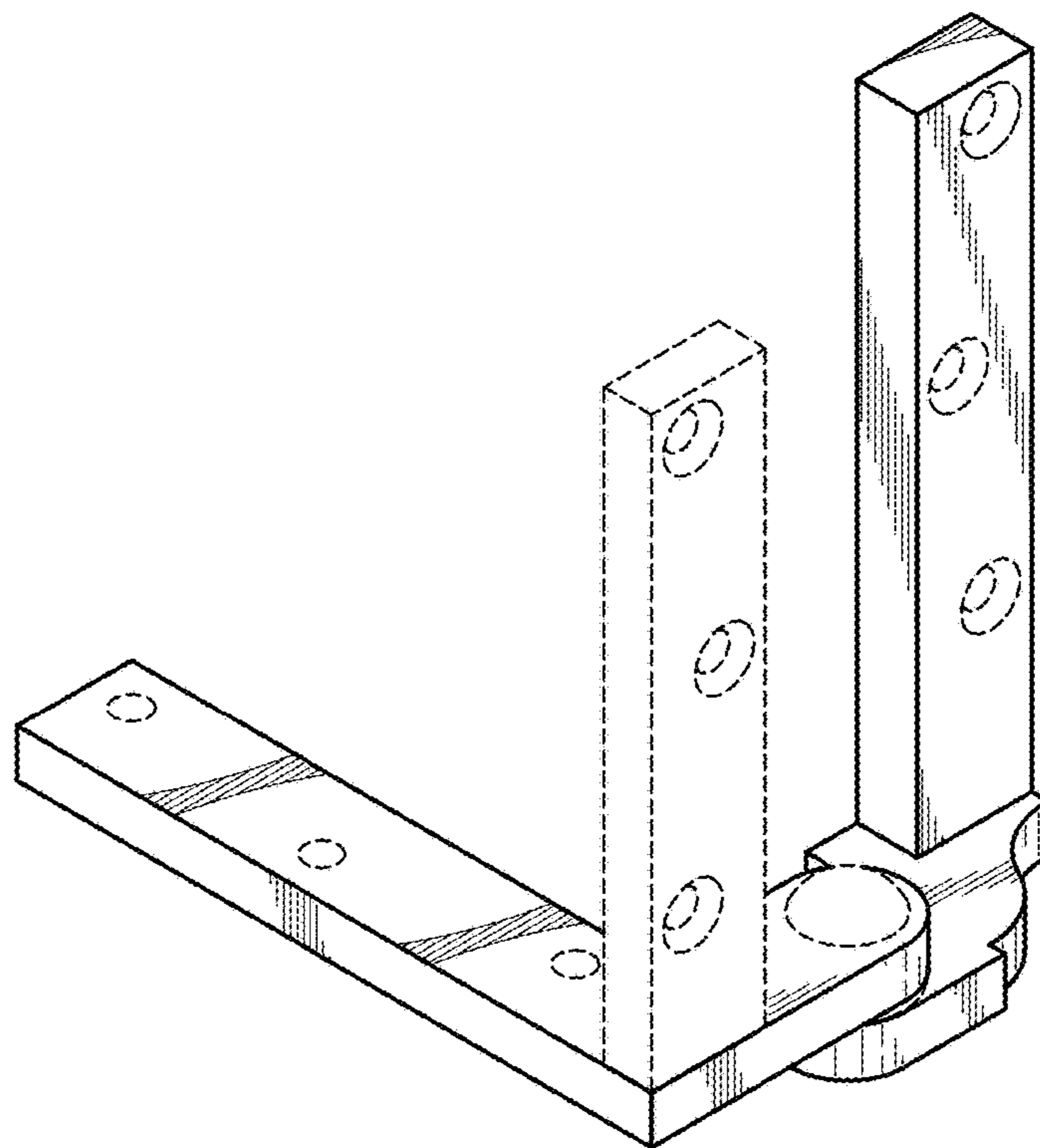


FIG. 12

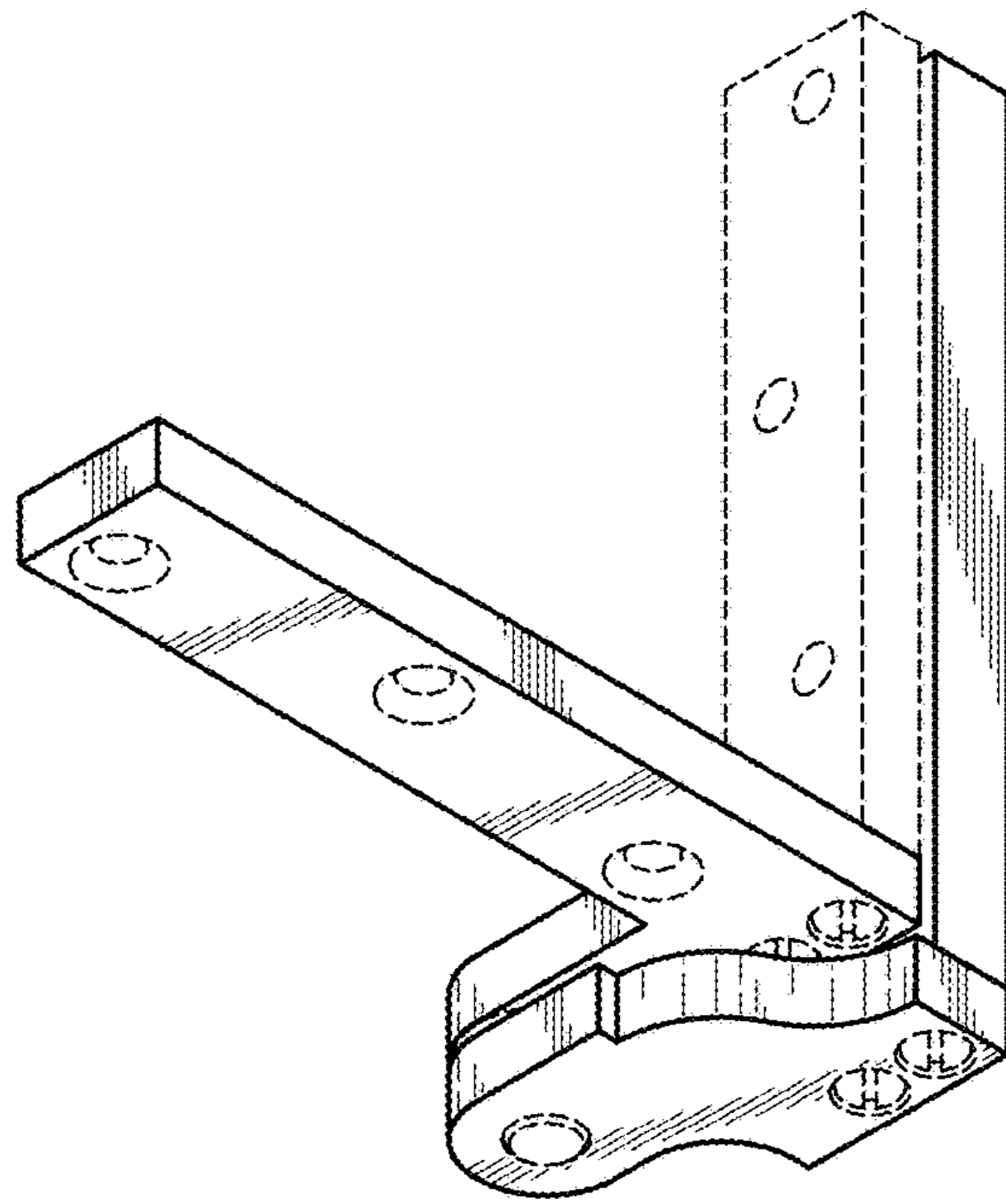


FIG. 13

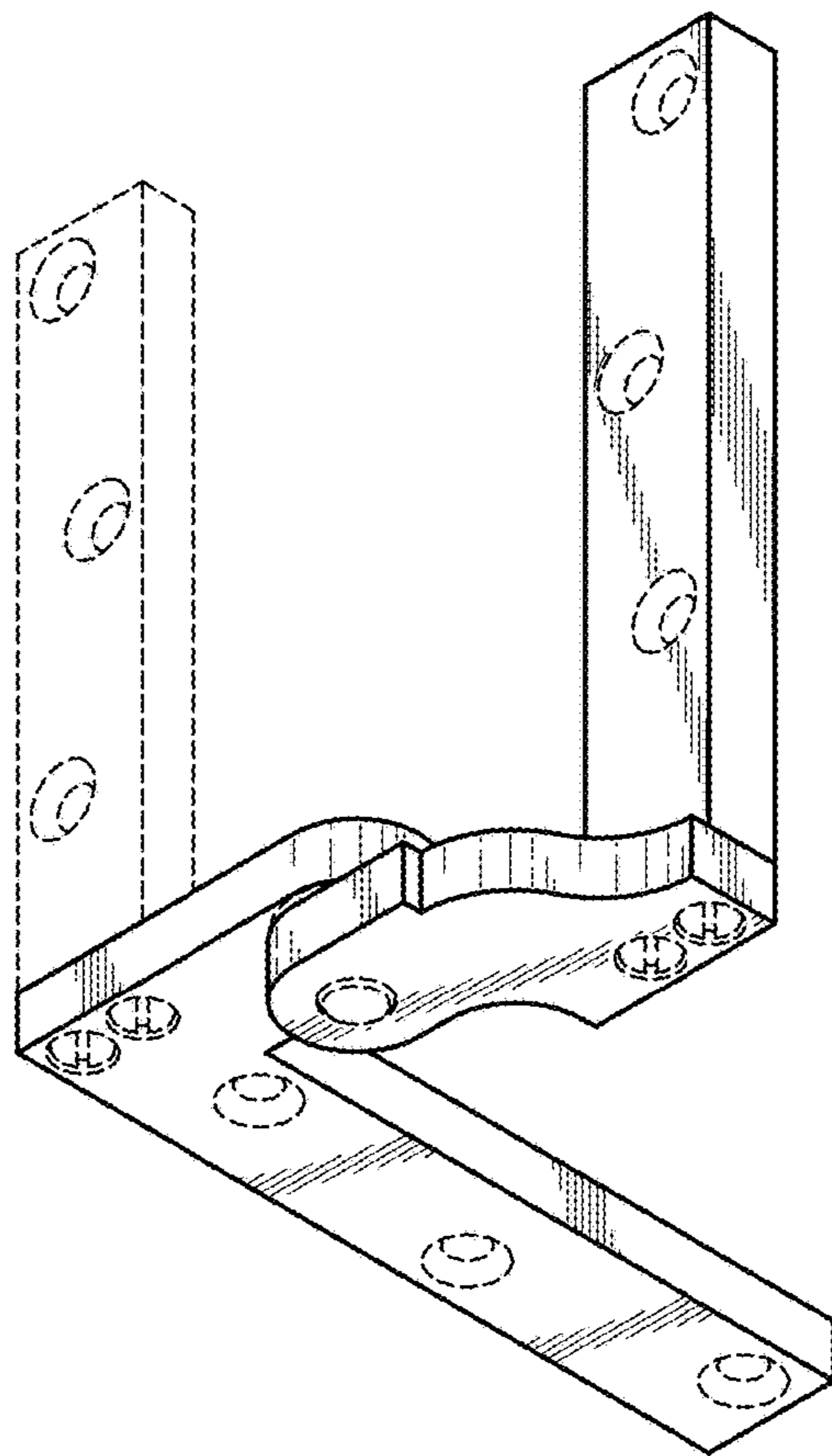


FIG. 14

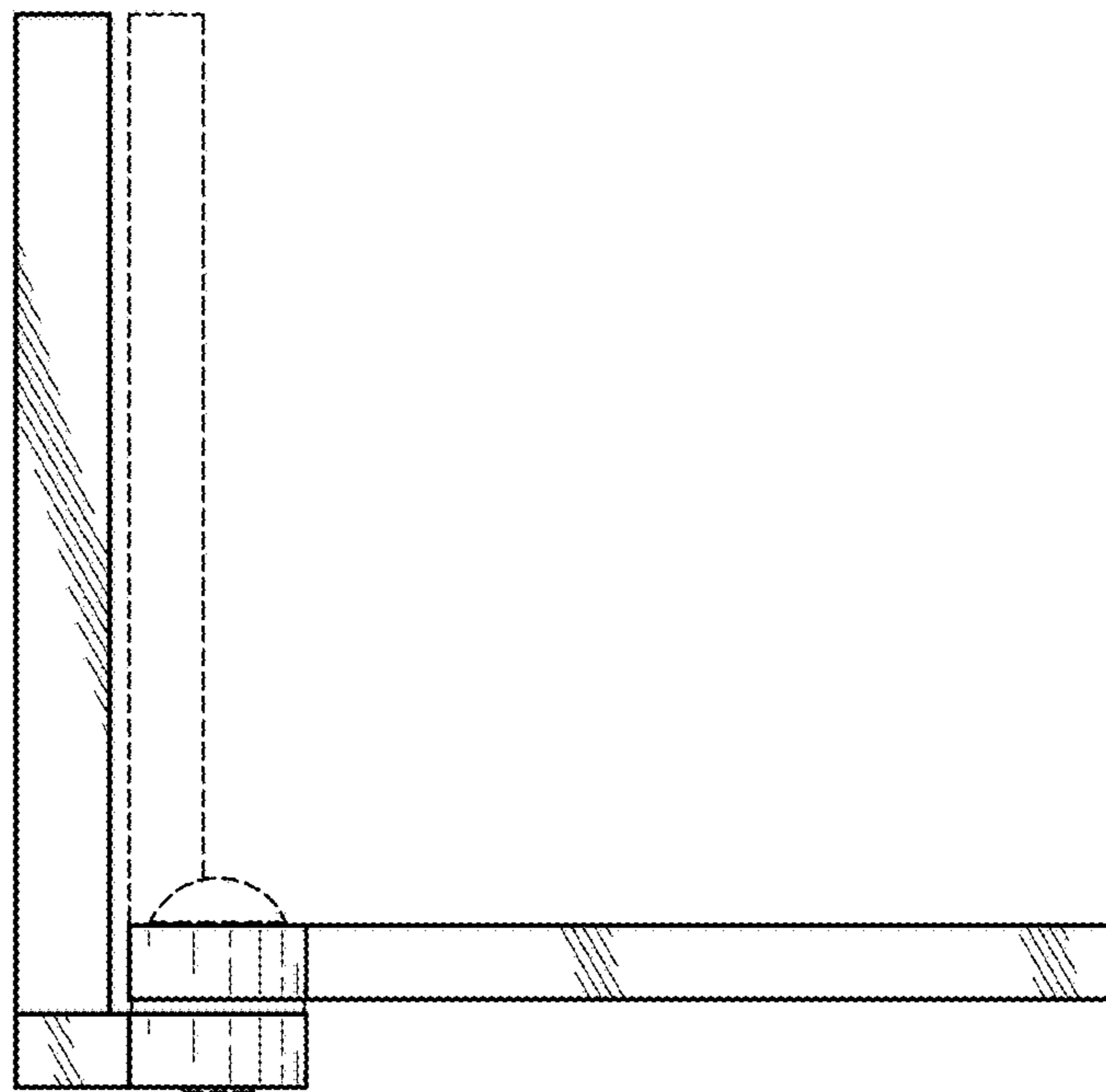


FIG. 15

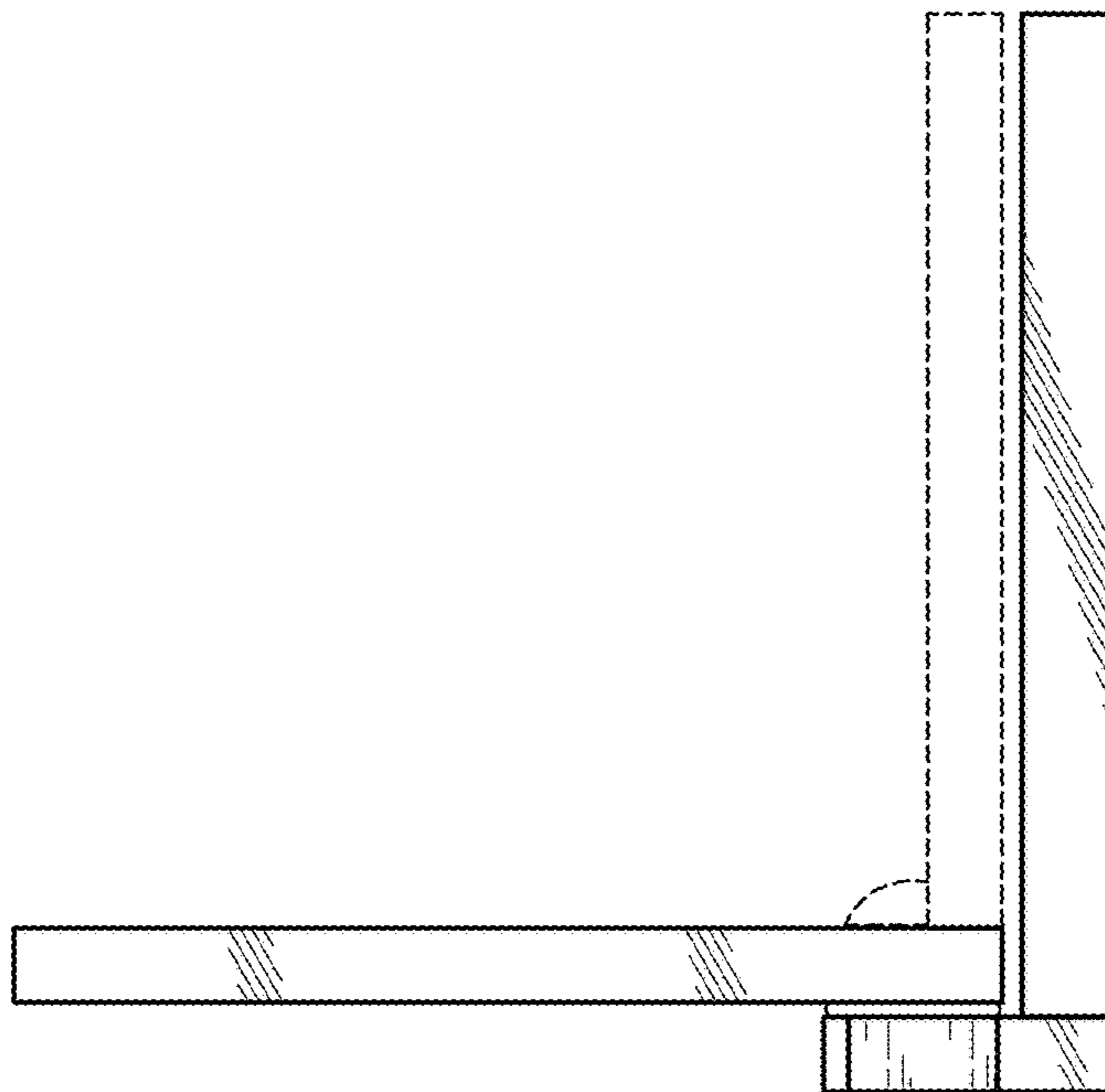


FIG. 16

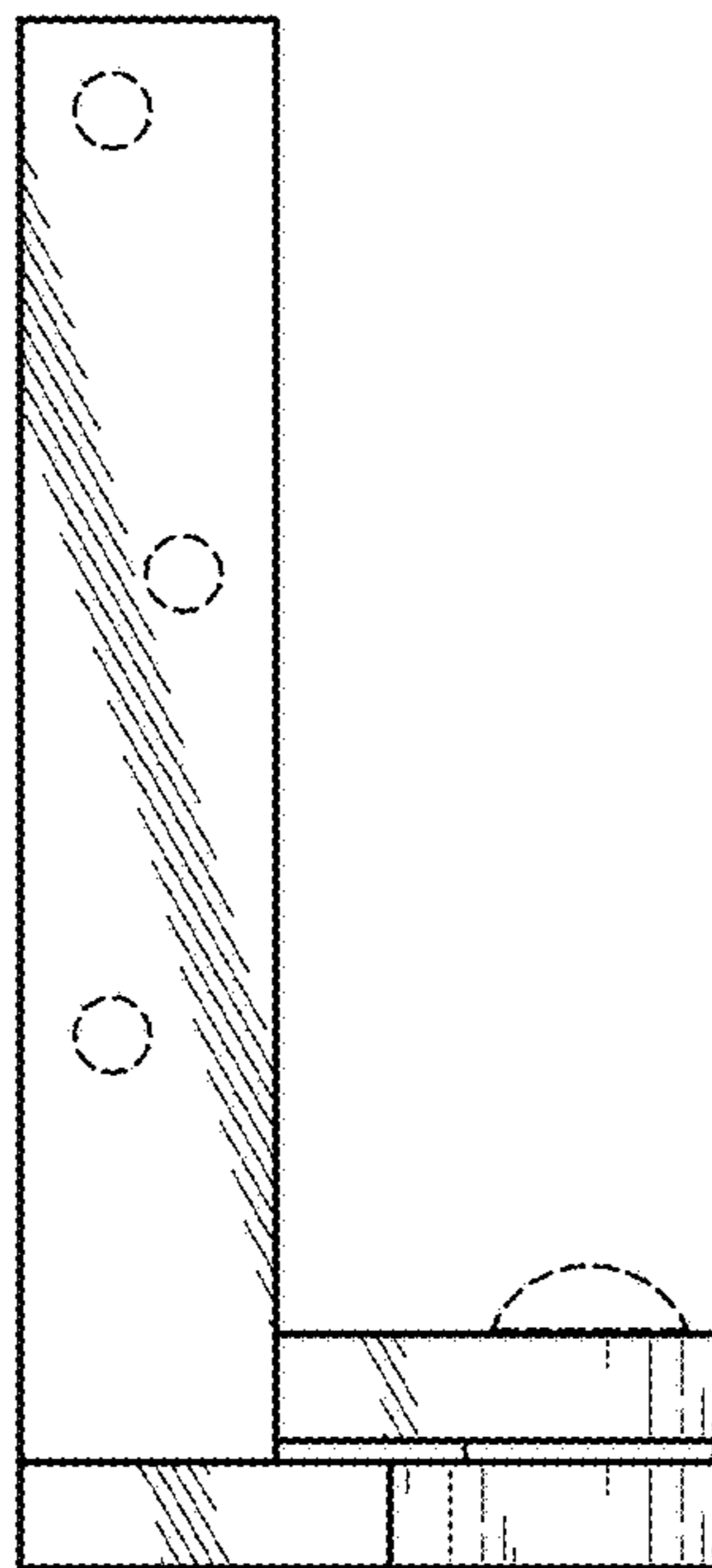


FIG. 17

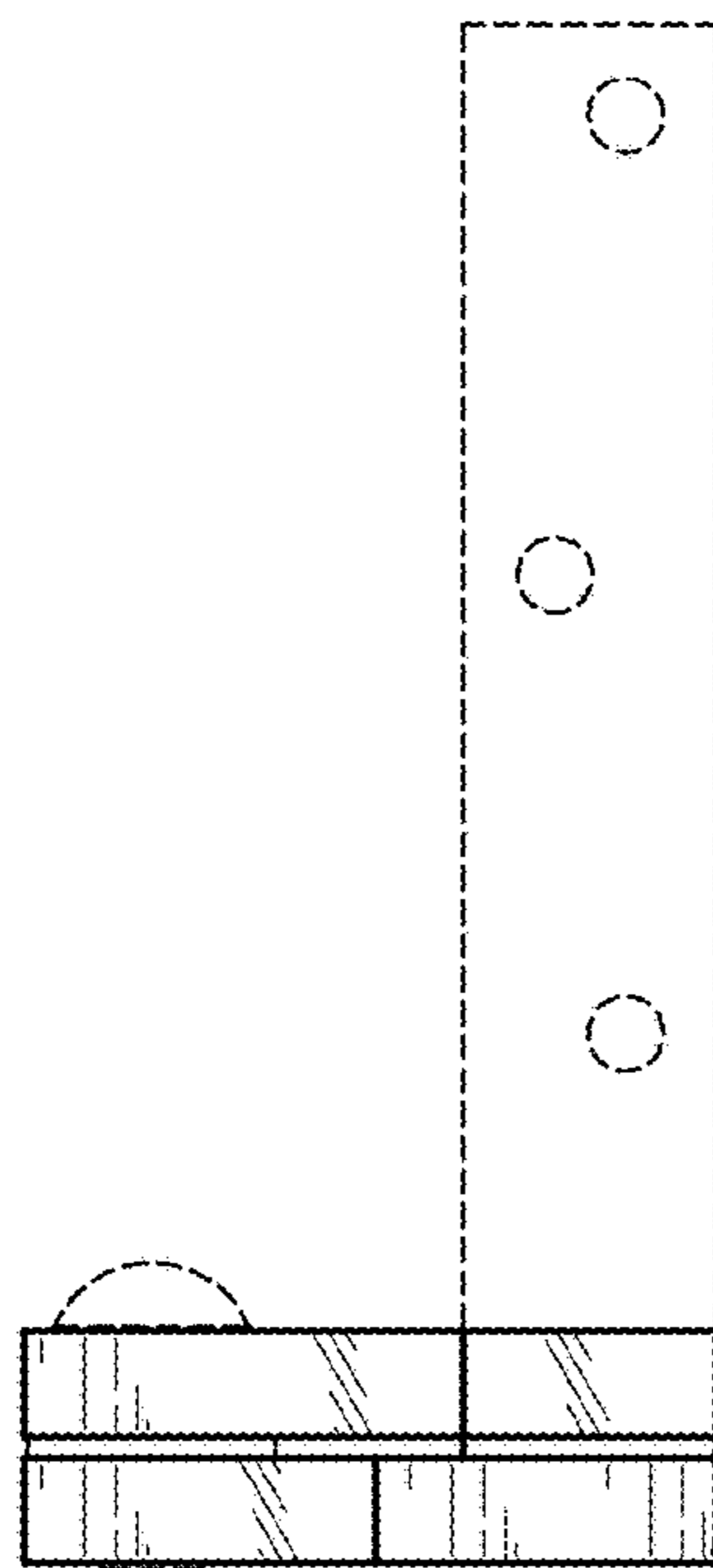


FIG. 18

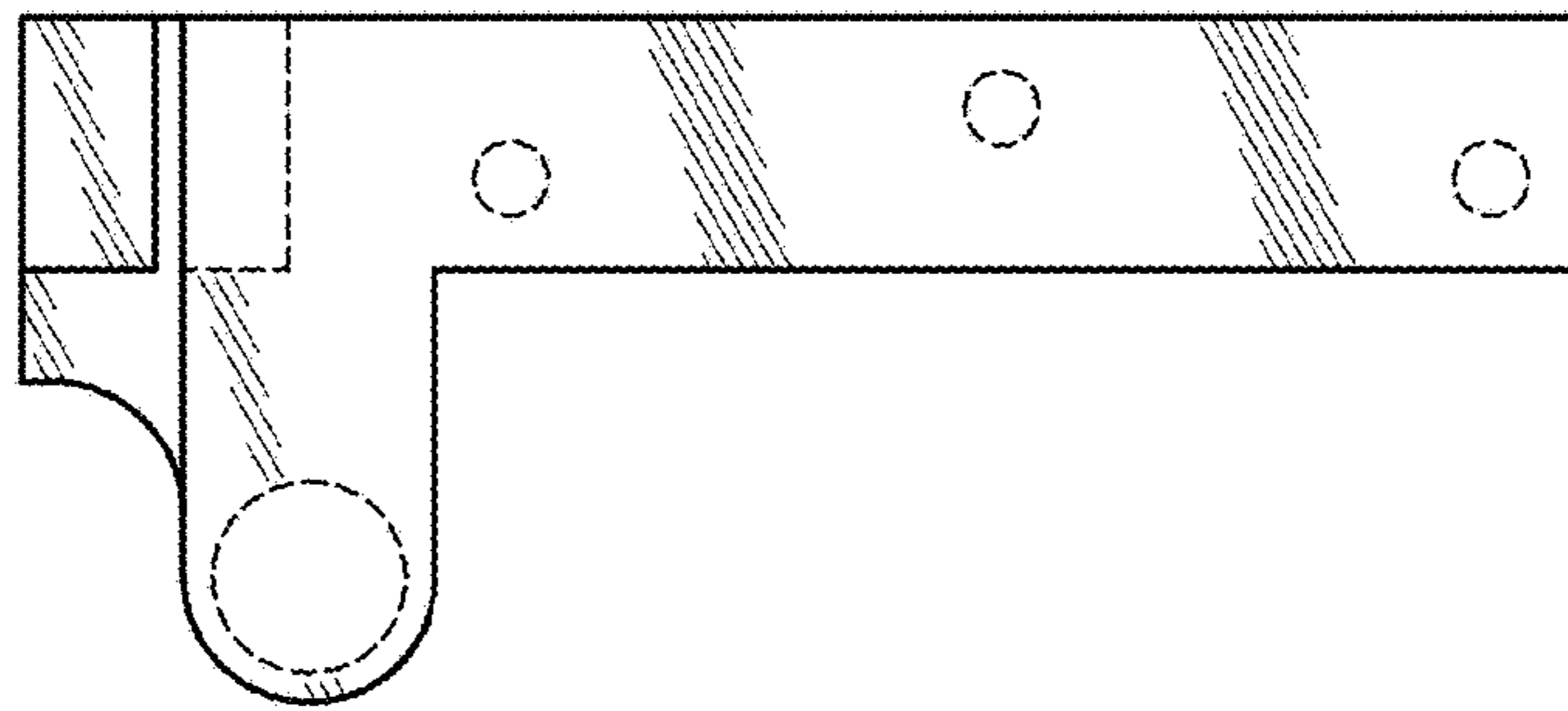


FIG. 19

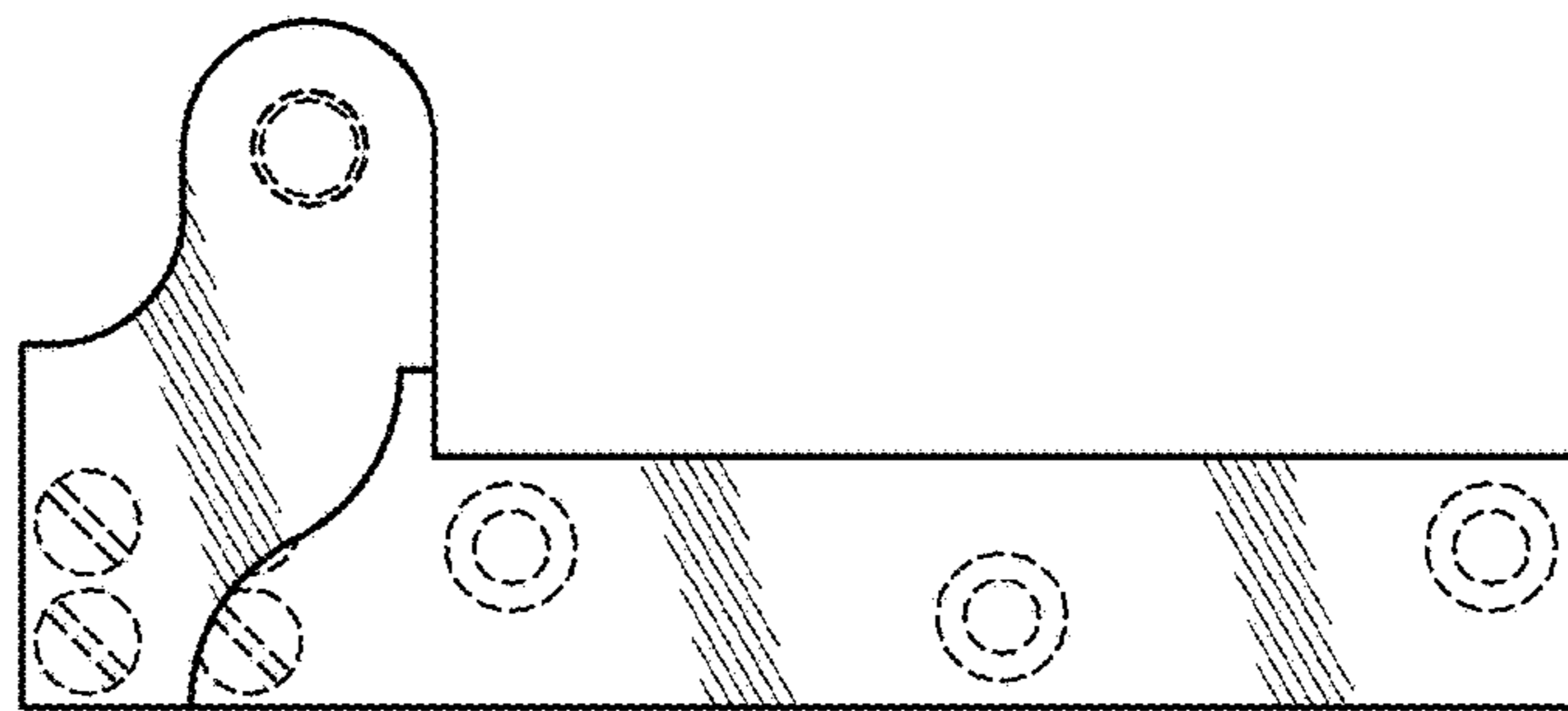


FIG. 20