



US00D858247S

(12) **United States Design Patent**
Papafagos

(10) **Patent No.:** **US D858,247 S**

(45) **Date of Patent:** **** Sep. 3, 2019**

(54) **FLEX TAPER GRIP**

(71) Applicant: **Tectran Mfg. Inc.**, Cheektowaga, NY
(US)

(72) Inventor: **James C. Papafagos**, North Java, NY
(US)

(73) Assignee: **Tectran Mfg. Inc.**, Cheektowaga, NY
(US)

(**) Term: **15 Years**

(21) Appl. No.: **29/552,838**

(22) Filed: **Jan. 26, 2016**

(51) **LOC (12) Cl.** **08-06**

(52) **U.S. Cl.**
USPC **D8/303**; D8/107

(58) **Field of Classification Search**
USPC D23/250–254; D8/107, 300, 303, 307,
D8/310, 321, 322; D7/393, 394, 395,
D7/396

CPC Y10T 16/469; Y10T 16/44; Y10T 16/466;
Y10T 16/4713; Y10T 16/459; Y10T
74/20828; Y10T 29/49826; Y10T
74/20732; Y10T 16/4559; Y10T
74/20864; Y10T 74/20822; A46B 5/026;
A46B 2200/302; A46B 5/021; A47L
13/022; A47L 1/06; A47L 13/20; A47L
11/4075; B25G 1/10; B25G 1/00; B25G
3/04; B25G 3/00; Y10S 16/12; Y10S
16/19; Y10S 16/41; Y10S 16/90; Y10S
16/40

See application file for complete search history.

(56) **References Cited**

U.S. PATENT DOCUMENTS

D28,992 S * 7/1898 Eldon D8/303
4,091,497 A * 5/1978 Bade B25G 1/10
16/430

D338,825 S * 8/1993 Brainard D8/303
D345,685 S * 4/1994 Lin D8/303
D435,773 S * 1/2001 Lin D8/107
D440,605 S * 4/2001 Izushima D19/203
6,561,058 B1 * 5/2003 Steinke B62K 21/26
74/551.8
D532,275 S * 11/2006 Lin D8/107
D621,680 S * 8/2010 Hsu D8/303
D622,327 S * 8/2010 Roos D21/398
D634,087 S * 3/2011 Sgroi D23/259
D647,382 S * 10/2011 Flattinger D8/107
D682,067 S * 5/2013 Tillet D8/107
D707,334 S * 6/2014 Hernandez D23/266
D719,808 S * 12/2014 Musser D8/107
D773,276 S * 12/2016 Ou D8/107
D807,147 S * 1/2018 Renault D8/303
D816,217 S * 4/2018 Naughton D24/130
D823,091 S * 7/2018 Burchard D8/303
D830,151 S * 10/2018 Weinberg D8/107
2004/0016476 A1 * 1/2004 Lamers B43L 23/02
144/28.6
2009/0139380 A1 * 6/2009 Pyatt B25G 1/102
81/489

(Continued)

Primary Examiner — Lauren R Calve

(74) *Attorney, Agent, or Firm* — Verrill Dana, LLP; John
W. Powell

(57) **CLAIM**

I claim the ornamental design for a flex taper grip, as shown
and described.

DESCRIPTION

FIG. 1 is a perspective view of a flex taper grip showing the
new, original and ornamental design thereof.

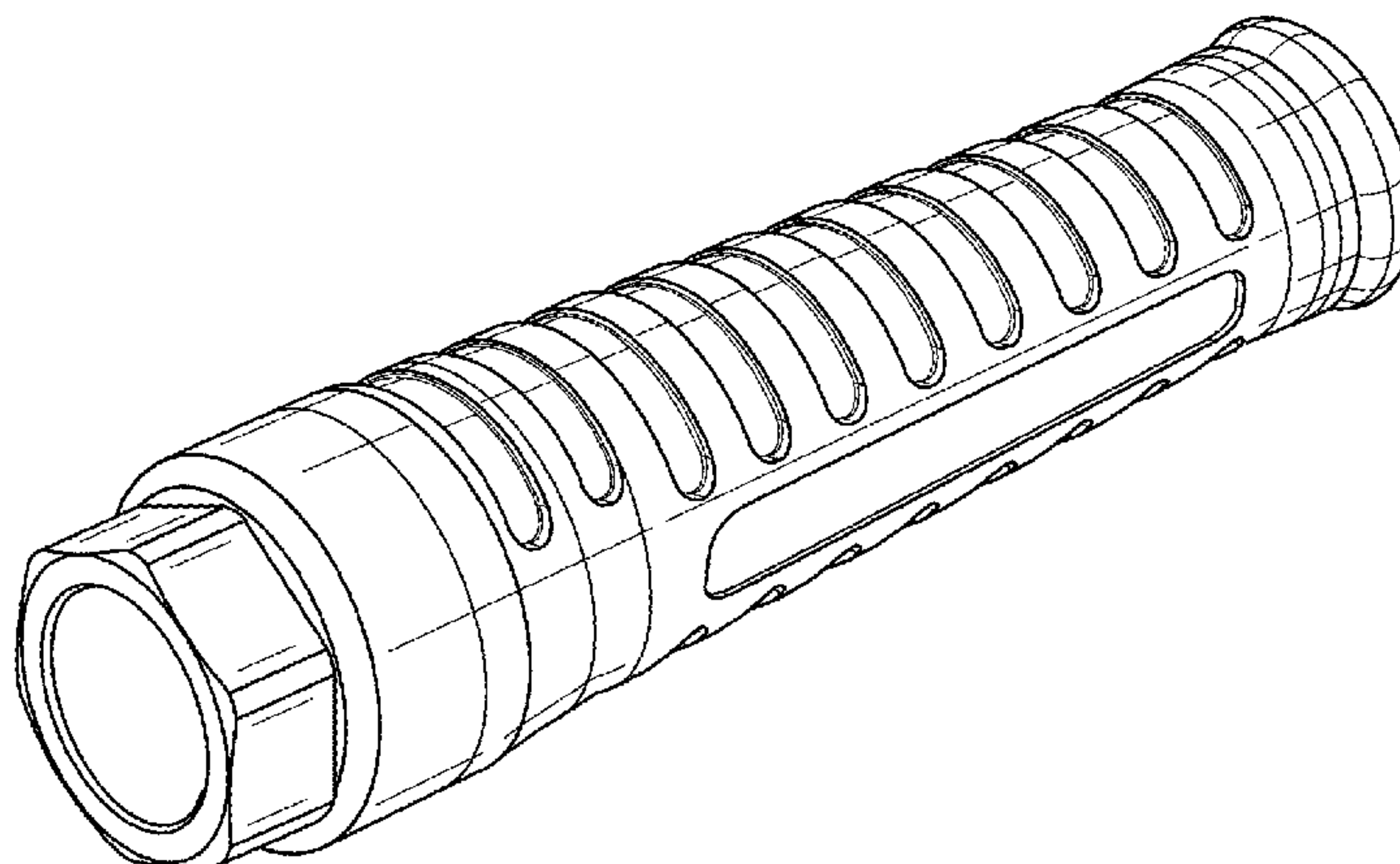
FIG. 2 is a right side elevation view thereof, the left side
elevation view being a mirror image.

FIG. 3 is a right side sectional view thereof taken along lines
3-3 shown in FIG. 2.

FIG. 4 is an end view of FIG. 1; and,

FIG. 5 is an opposite end view thereof.

1 Claim, 3 Drawing Sheets



(56)

References Cited

U.S. PATENT DOCUMENTS

2010/0095812 A1* 4/2010 Lai B25B 23/0042
81/438
2014/0338245 A1* 11/2014 Lanasa F41C 23/16
42/72
2017/0211735 A1* 7/2017 Papafagos F16L 21/08
2017/0297192 A1* 10/2017 Ou B25G 3/02

* cited by examiner

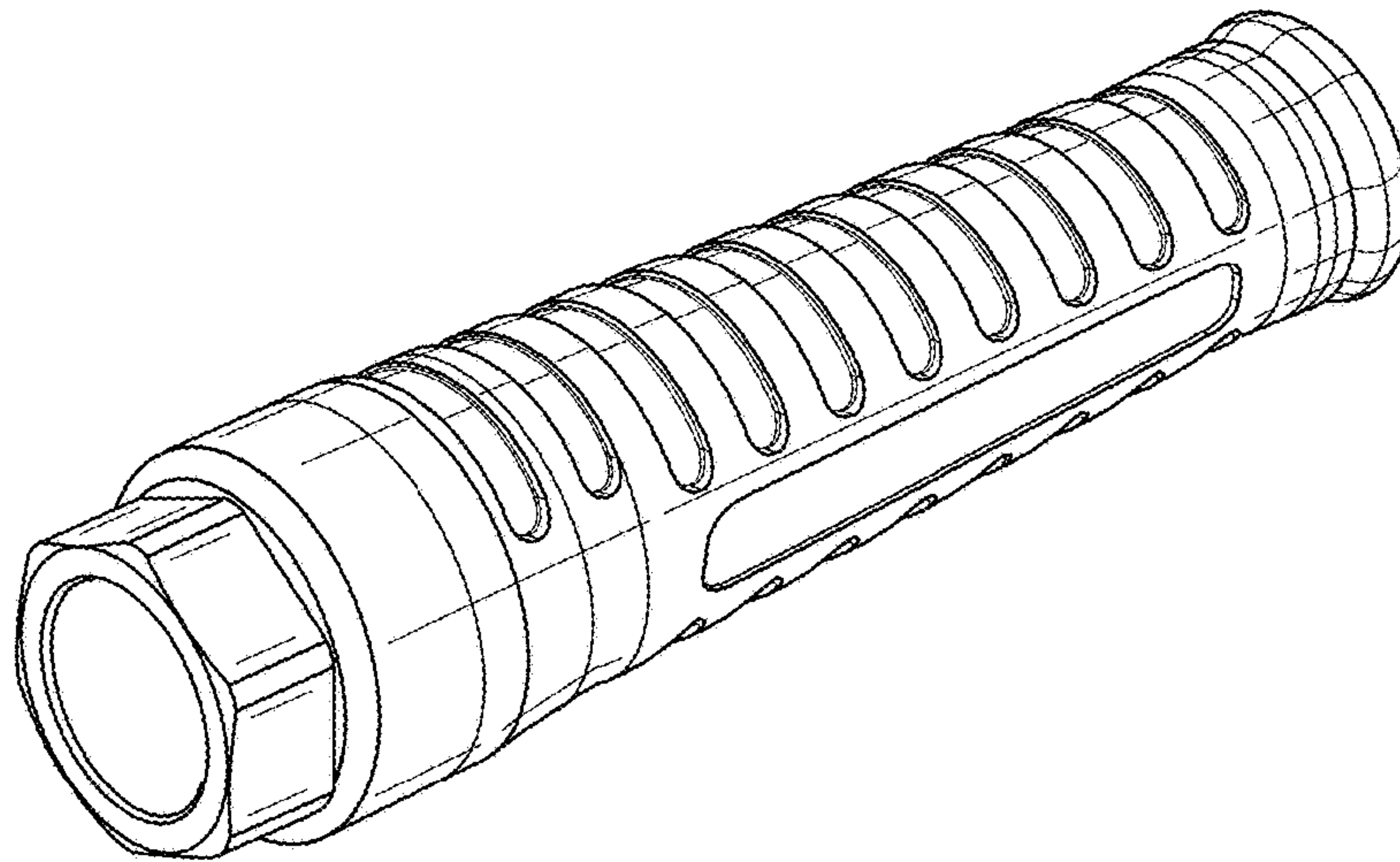


FIG. 1

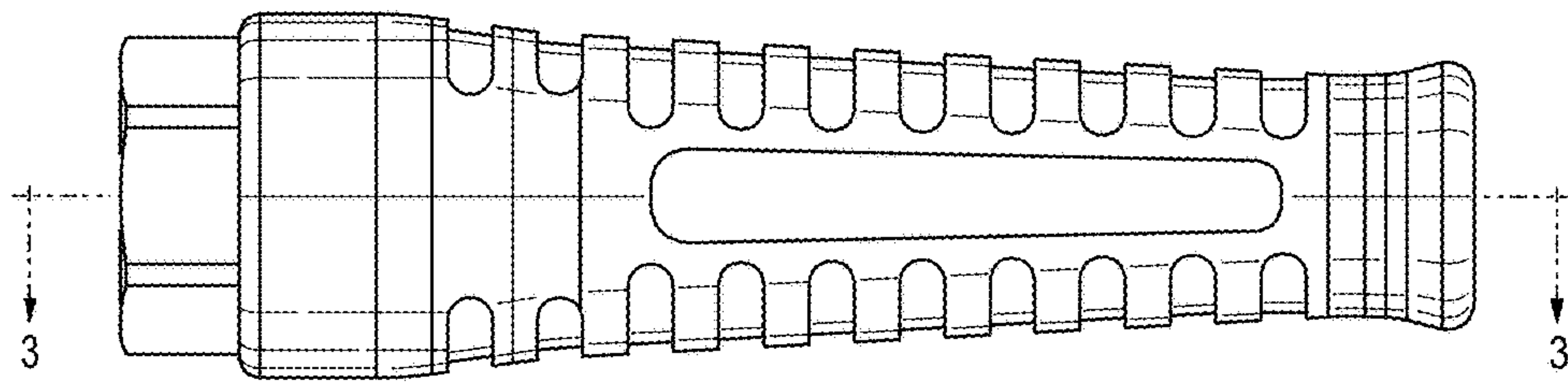


FIG. 2

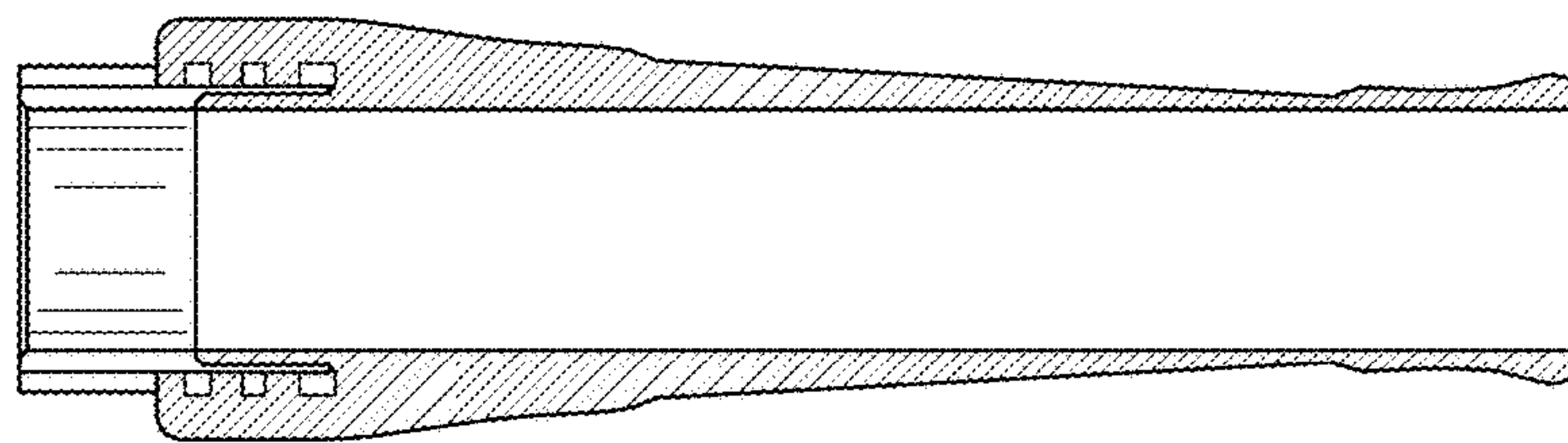


FIG. 3

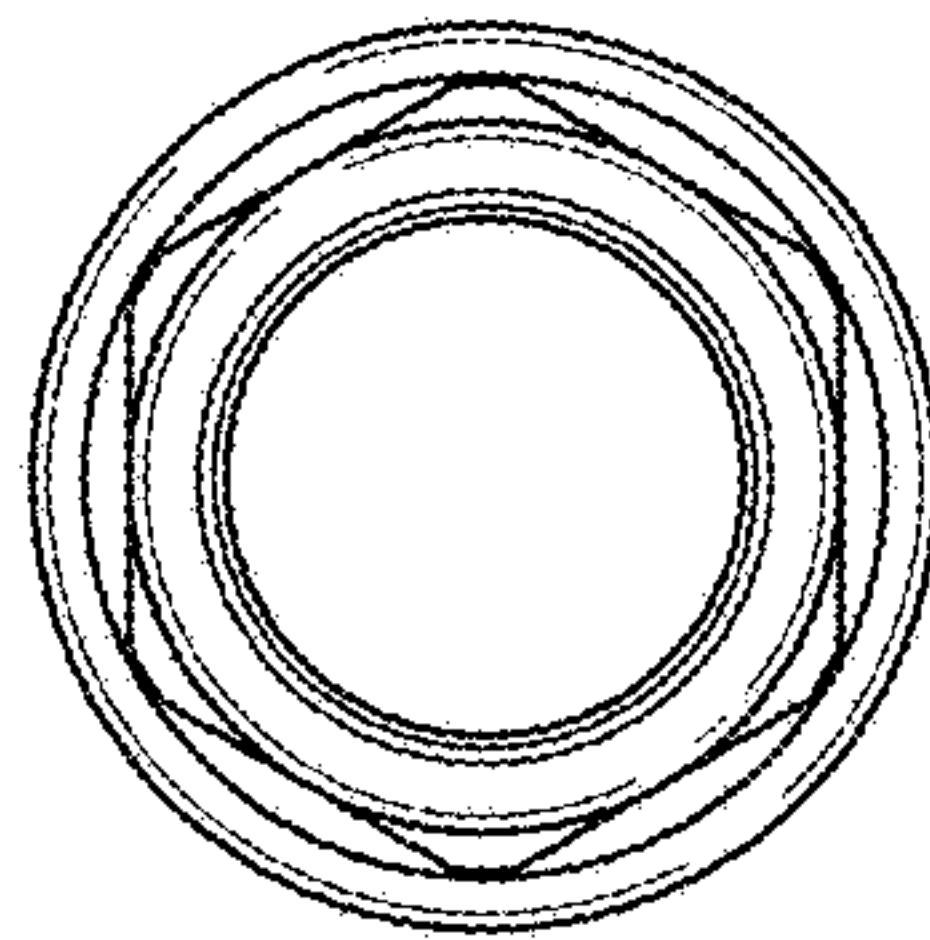


FIG. 4

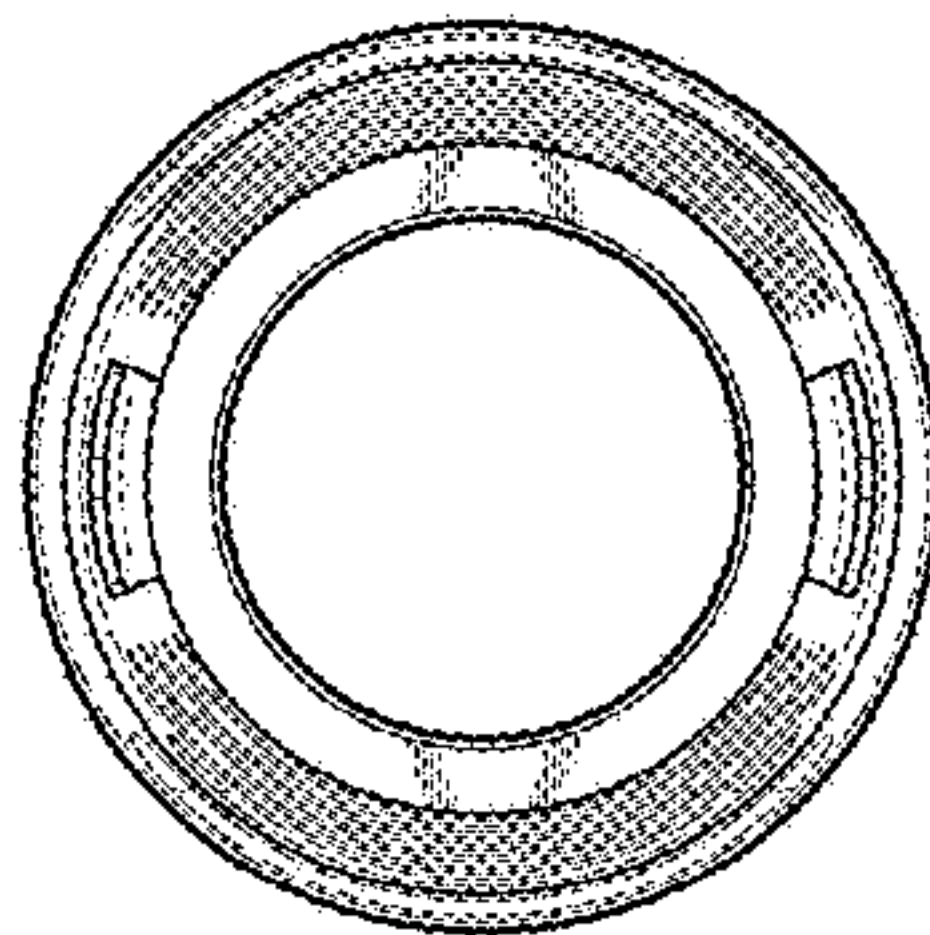


FIG. 5