



US00D858246S

(12) **United States Design Patent** (10) **Patent No.:** **US D858,246 S**
Lafond et al. (45) **Date of Patent:** **** *Sep. 3, 2019**

(54) **HANDLE FOR HOLDING A SAMPLING SPONGE**

(71) Applicant: **LABPLAS INC.**, Sainte-Julie (CA)

(72) Inventors: **Danielle Lafond**, Mont Saint-Hilaire (CA); **May L. Scally**, St. Mathias sur Richelieu (CA); **Louis Therrien**, Sainte-Julie (CA); **Alain Chevigny**, Val-Morin (CA)

(73) Assignee: **LABPLAS INC.**, Sainte-Julie (CA)

(*) Notice: This patent is subject to a terminal disclaimer.

(**) Term: **15 Years**

(21) Appl. No.: **29/585,845**

(22) Filed: **Nov. 29, 2016**

Related U.S. Application Data

(62) Division of application No. 29/508,373, filed on Nov. 5, 2014, now Pat. No. Des. 772,680, which is a division of application No. 29/446,561, filed on Feb. 25, 2013, now abandoned, which is a division of application No. 29/400,730, filed on Aug. 31, 2011, now Pat. No. Des. 676,732.

(51) **LOC (12) Cl.** **08-06**

(52) **U.S. Cl.**
USPC **D8/107**

(58) **Field of Classification Search**
USPC D8/107; D24/108, 119; 73/864.71; 296/99.2; 15/144, 244.1, 236.01, 209.1,
(Continued)

(56) **References Cited**

U.S. PATENT DOCUMENTS

1,376,779 A * 5/1921 Penrod A47L 17/06
15/245
2,214,984 A * 9/1940 Bachmann A61B 17/30
294/99.2

(Continued)

FOREIGN PATENT DOCUMENTS

CA 2428865 11/2003
CA 2757811 5/2013

(Continued)

OTHER PUBLICATIONS

English Abstract of CA142081(S), "Handle for holding a sampling sponge", published on Apr. 23, 2014.

(Continued)

Primary Examiner — Paula Allen Greene

(74) *Attorney, Agent, or Firm* — Bereskin & Parr LLP/S.E.N.C.R.L., s.r.l.

(57) **CLAIM**

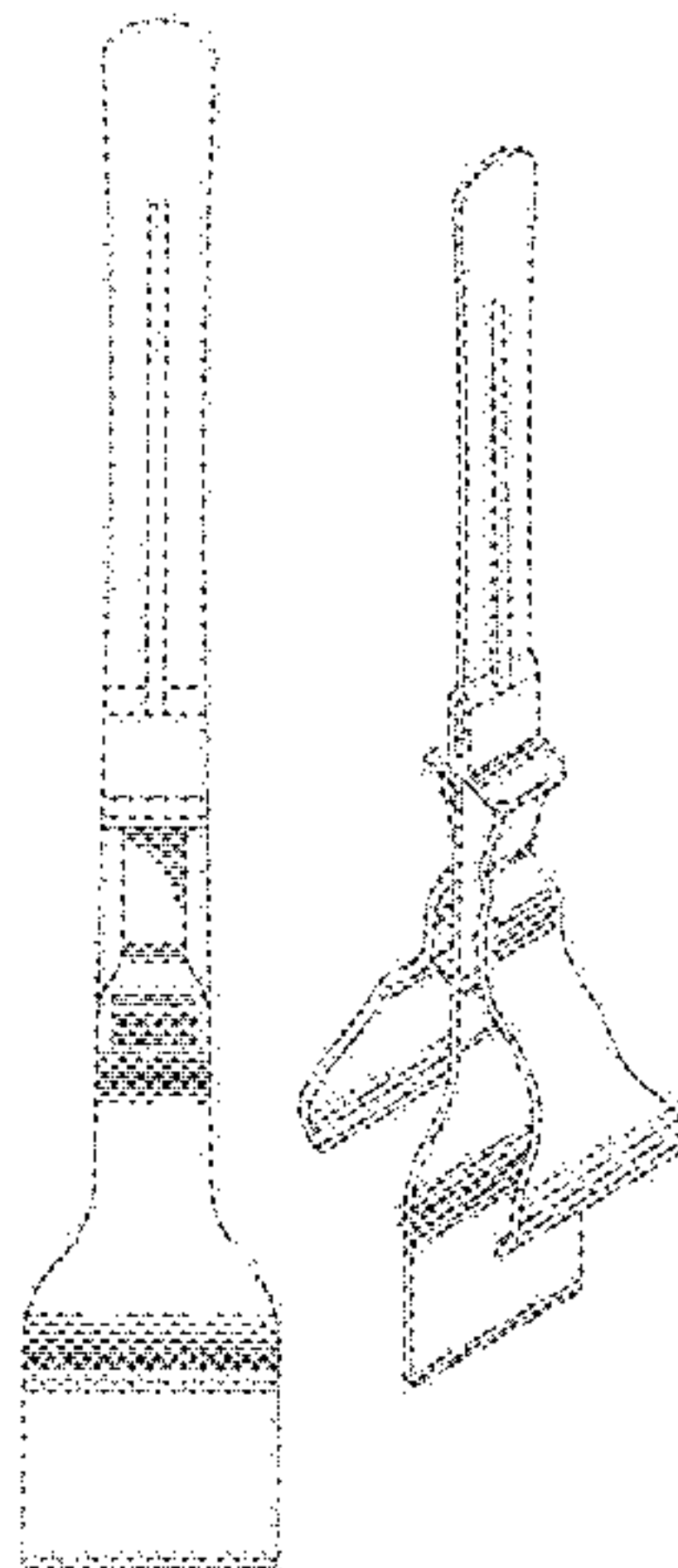
We claim the ornamental design for handle for holding a sampling sponge, as shown and described.

DESCRIPTION

FIG. 1.1 is a perspective view of a handle for holding a sampling sponge showing our new design;
FIG. 1.2 is a front view of the handle for holding a sampling sponge of FIG. 1.1;
FIG. 1.3 is a right side view of the handle for holding a sampling sponge of FIG. 1.1;
FIG. 1.4 is a left side view of the handle for holding a sampling sponge of FIG. 1.1;
FIG. 1.5 is a rear view of the handle for holding a sampling sponge of FIG. 1.1;
FIG. 1.6 is a top plan view of the handle for holding a sampling sponge of FIG. 1.1;
FIG. 1.7 is a bottom plan view of the handle for holding a sampling sponge of FIG. 1.1; and,
FIG. 1.8 is a perspective view of the handle for holding a sampling sponge of FIG. 1.1 but shown in an alternate position.

The broken lines depict environment that forms no part of the claimed design.

1 Claim, 5 Drawing Sheets



(58) **Field of Classification Search**

USPC 15/145, 147.2; 606/205, 207, 208, 140,
606/151; D32/40, 41, 49, 52, 51;
D4/137, 138, 108, 118
CPC A47L 13/10; A47L 13/46; B25B 9/02;
G01N 1/02; B65D 33/00; A61F 13/38
See application file for complete search history.

(56) **References Cited**

U.S. PATENT DOCUMENTS

2,590,614 A * 3/1952 Hawkins, Sr. A47K 7/028
15/154
2,936,475 A * 5/1960 Johns A45D 34/04
15/144.4
3,081,475 A * 3/1963 Vosbikian A47L 13/46
15/154
3,137,880 A * 6/1964 Kubit B05C 17/00
15/210.1
3,274,684 A * 9/1966 Marks E01H 5/02
15/105
3,404,677 A * 10/1968 Springer A61B 17/29
30/135
3,809,094 A * 5/1974 Cook A61B 13/00
600/218
D243,060 S * 1/1977 Graham D32/49
D263,512 S 3/1982 Kawada
4,401,130 A * 8/1983 Halford A47K 7/028
15/208
4,950,281 A * 8/1990 Kirsch A61B 17/30
294/99.2
5,047,046 A * 9/1991 Bodoia A61B 17/30
294/99.2
5,084,931 A * 2/1992 Kuhlcke A46B 7/04
15/150
D330,444 S 10/1992 Wall et al.
D340,768 S 10/1993 Jabour
5,261,918 A * 11/1993 Phillips A61B 17/29
606/1
5,341,538 A * 8/1994 Banome A45D 34/04
15/145
D374,110 S 9/1996 Hull et al.
5,564,829 A 10/1996 Lafond
5,706,553 A * 1/1998 Riley A47L 13/022
15/143.1

D417,320 S 11/1999 Nunez
D422,148 S * 4/2000 King D32/42
6,142,661 A 11/2000 Lafond
6,267,498 B1 7/2001 Lafond et al.
D461,027 S 7/2002 Gardner
6,575,202 B2 6/2003 Lafond
6,616,683 B1 * 9/2003 Toth A61B 17/29
606/205
6,827,482 B2 12/2004 Lafond et al.
D502,324 S * 3/2005 Conway D32/51
D517,874 S 3/2006 Heck
7,014,231 B1 3/2006 Callen
D587,412 S 2/2009 Oka
D617,061 S 6/2010 Su
7,814,608 B1 * 10/2010 Catello A47L 13/022
15/236.01
D676,732 S * 2/2013 Lafond D8/107
D706,947 S 6/2014 Hooper
8,740,274 B1 6/2014 Dugas
D734,901 S 7/2015 Milan
9,072,280 B1 7/2015 Ramoutar
D772,680 S * 11/2016 Lafond D8/107
2003/0155783 A1 8/2003 Hsu
2007/0214591 A1 * 9/2007 Henderson A47L 13/16
15/209.1
2013/0017134 A1 1/2013 Scally et al.
2013/0118275 A1 5/2013 Lafond et al.
2015/0353312 A1 12/2015 Brouillette et al.

FOREIGN PATENT DOCUMENTS

CA	2839218	7/2015
WO	2012040810	4/2012
WO	2017015740	2/2017

OTHER PUBLICATIONS

English Abstract of CA147081(S), "Handle for holding a sampling sponge", published on Apr. 23, 2014.
English Abstract of CA154729(S), "Device for supporting a sampling bag", published on Jul. 22, 2016.
English Abstract of CA155855(S), "Bag dispenser", published on Oct. 26, 2015.
English Abstract of CA162736(S), "Device for supporting a sampling bag", published on Jul. 22, 2016.

* cited by examiner

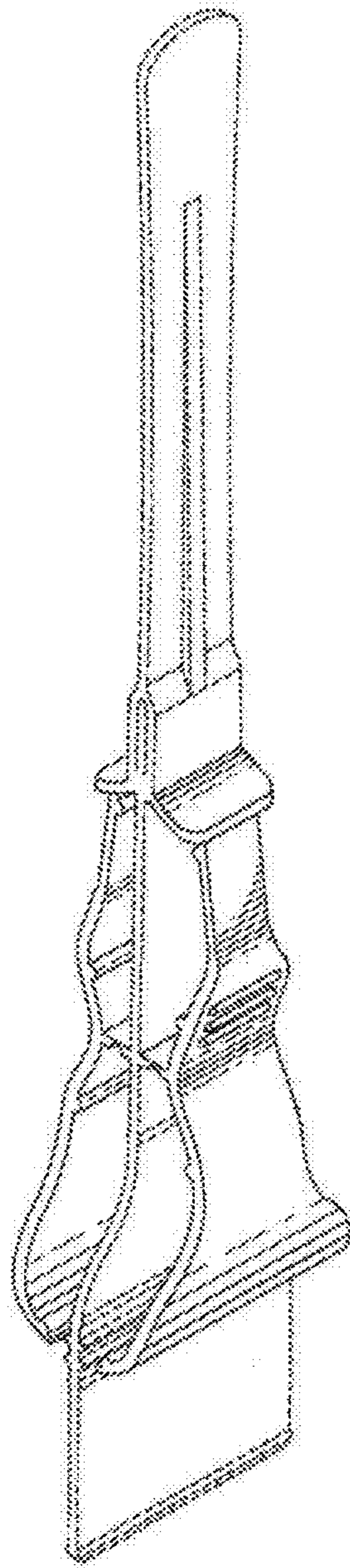


Fig. 1.1

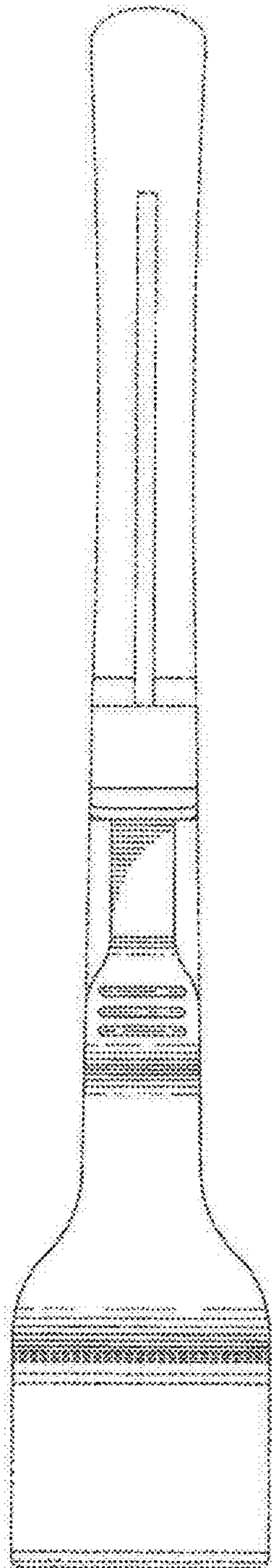


Fig. 1.2

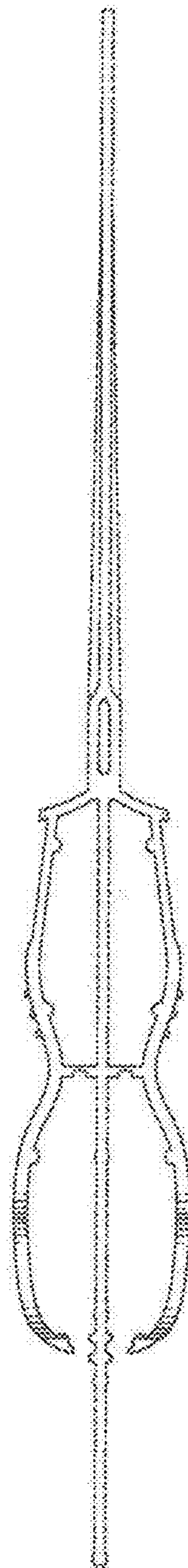


Fig. 1.3

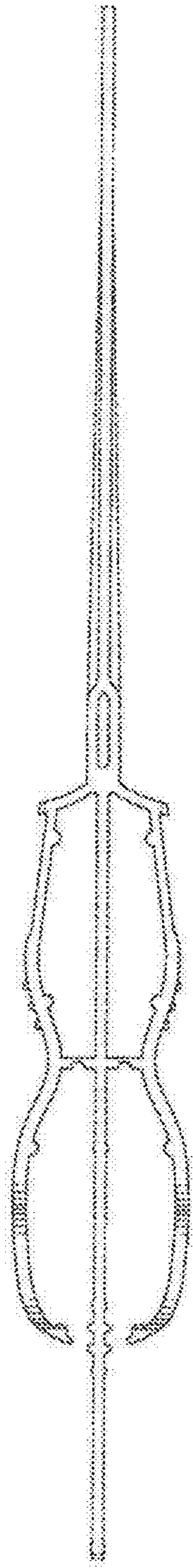


Fig. 1.4

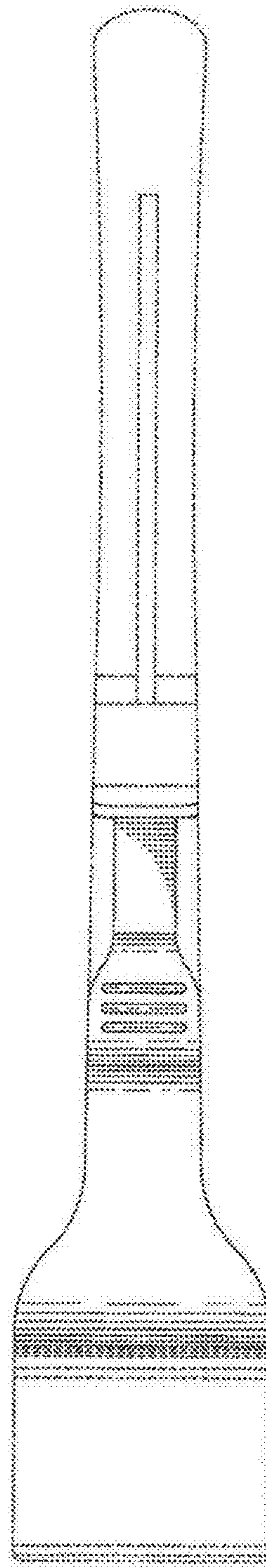


Fig. 1.5

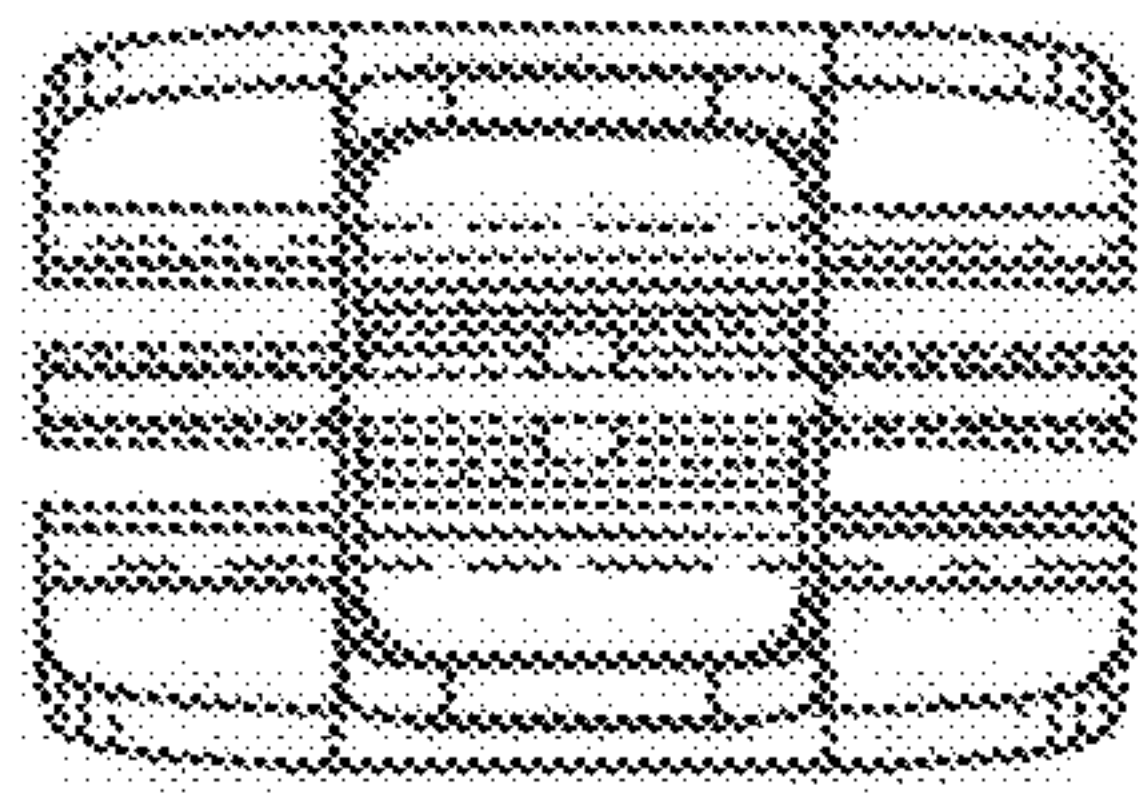


Fig. 1.6

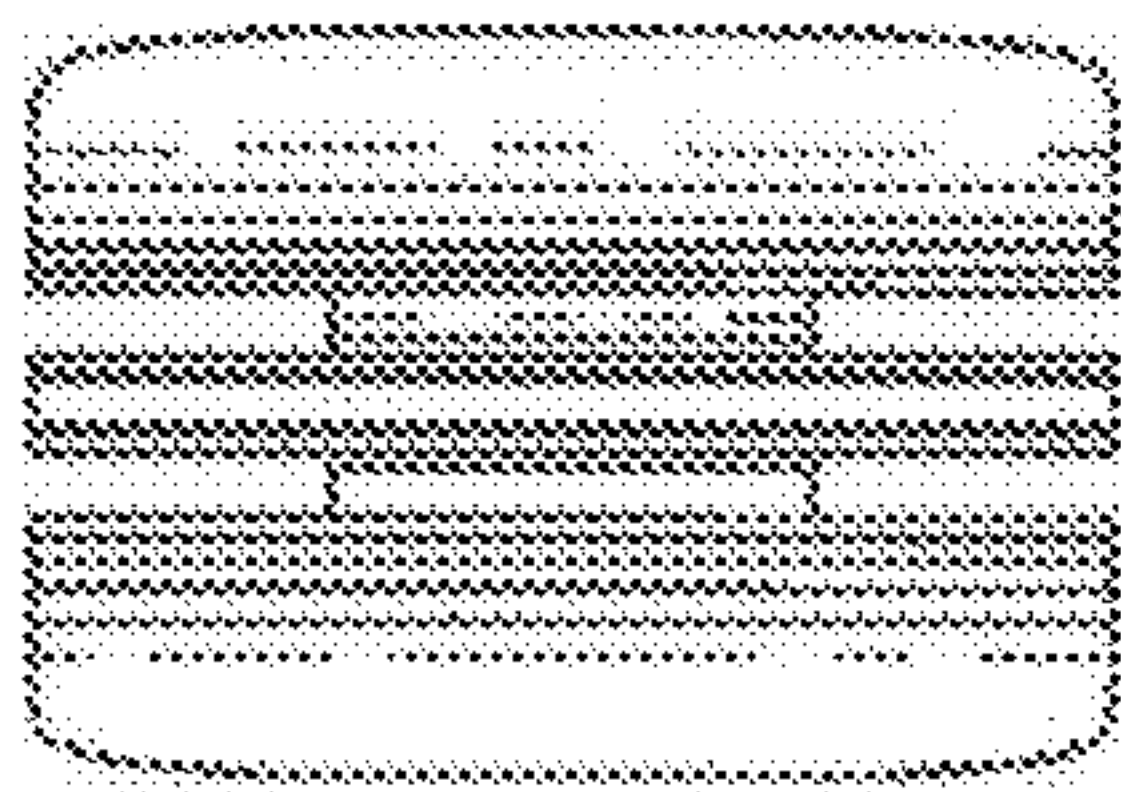


Fig. 1.7

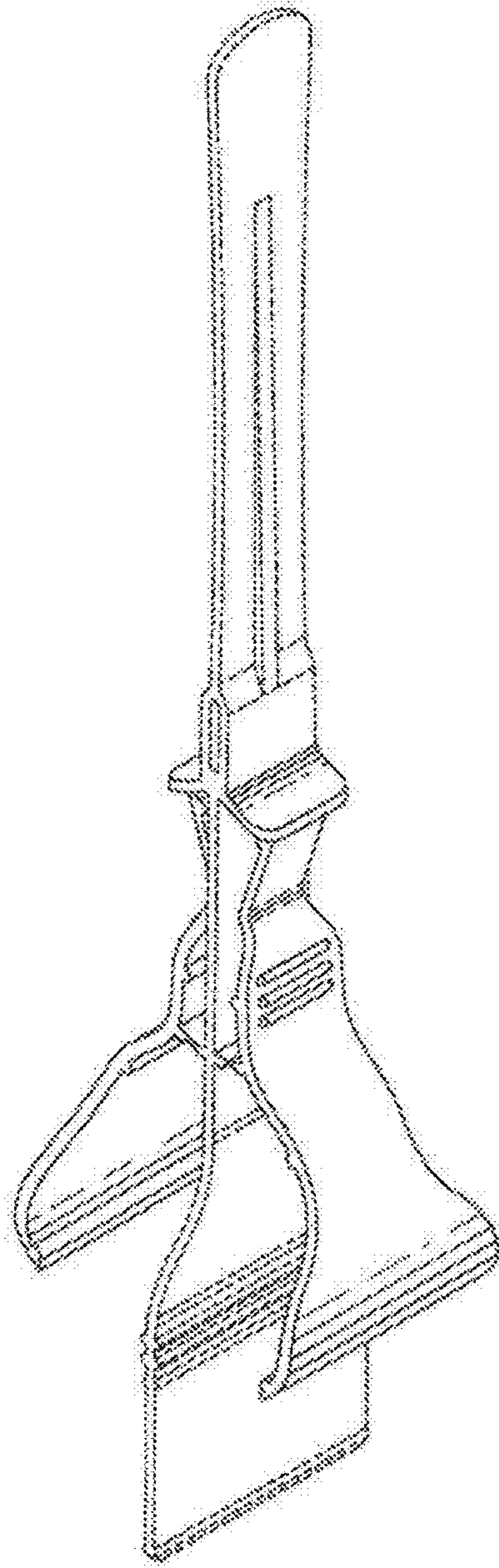


Fig. 1.8