



US00D858244S

(12) **United States Design Patent**
Hyma et al.

(10) **Patent No.:** **US D858,244 S**
(45) **Date of Patent:** **** Sep. 3, 2019**

(54) **SCREWDRIVER**
(71) Applicant: **MILWAUKEE ELECTRIC TOOL CORPORATION**, Brookfield, WI (US)
(72) Inventors: **Steven W. Hyma**, Milwaukee, WI (US); **Joseph M. DeBaker**, Greenfield, WI (US); **Kyle C. Anderson**, Milwaukee, WI (US)
(73) Assignee: **Mikwaukee Electric Tool Corporation**, Brookfield, WI (US)
(**) Term: **15 Years**

D475,268 S 6/2003 Lisle
D482,590 S 11/2003 Lisle
D482,591 S 11/2003 Lisle
D513,378 S 1/2006 Lin
D516,893 S 3/2006 Kuo
D531,005 S 10/2006 Chang
D534,052 S * 12/2006 Lin D8/107
D552,956 S 10/2007 Wen
D572,105 S 7/2008 Brockman
D585,261 S 1/2009 Shih
D629,666 S 12/2010 Lai
D634,172 S * 3/2011 Robinson D8/83
D635,430 S * 4/2011 Robinson D8/83
D637,467 S * 5/2011 Wang D8/83
D637,470 S 5/2011 Vigil
D645,717 S 9/2011 Ou
9,796,070 B2 * 10/2017 Sun B25G 1/085

(21) Appl. No.: **29/606,913**
(22) Filed: **Jun. 8, 2017**
(51) **LOC (12) Cl.** **08-04**
(52) **U.S. Cl.**
USPC **D8/83**
(58) **Field of Classification Search**
USPC ... D8/82, 83, 84, 85, 86, 87, 107, 300, 303;
D24/133; D7/395
See application file for complete search history.

* cited by examiner
Primary Examiner — Philip S Hyder
(74) *Attorney, Agent, or Firm* — Reinhart Boerner Van Deuren s.c.

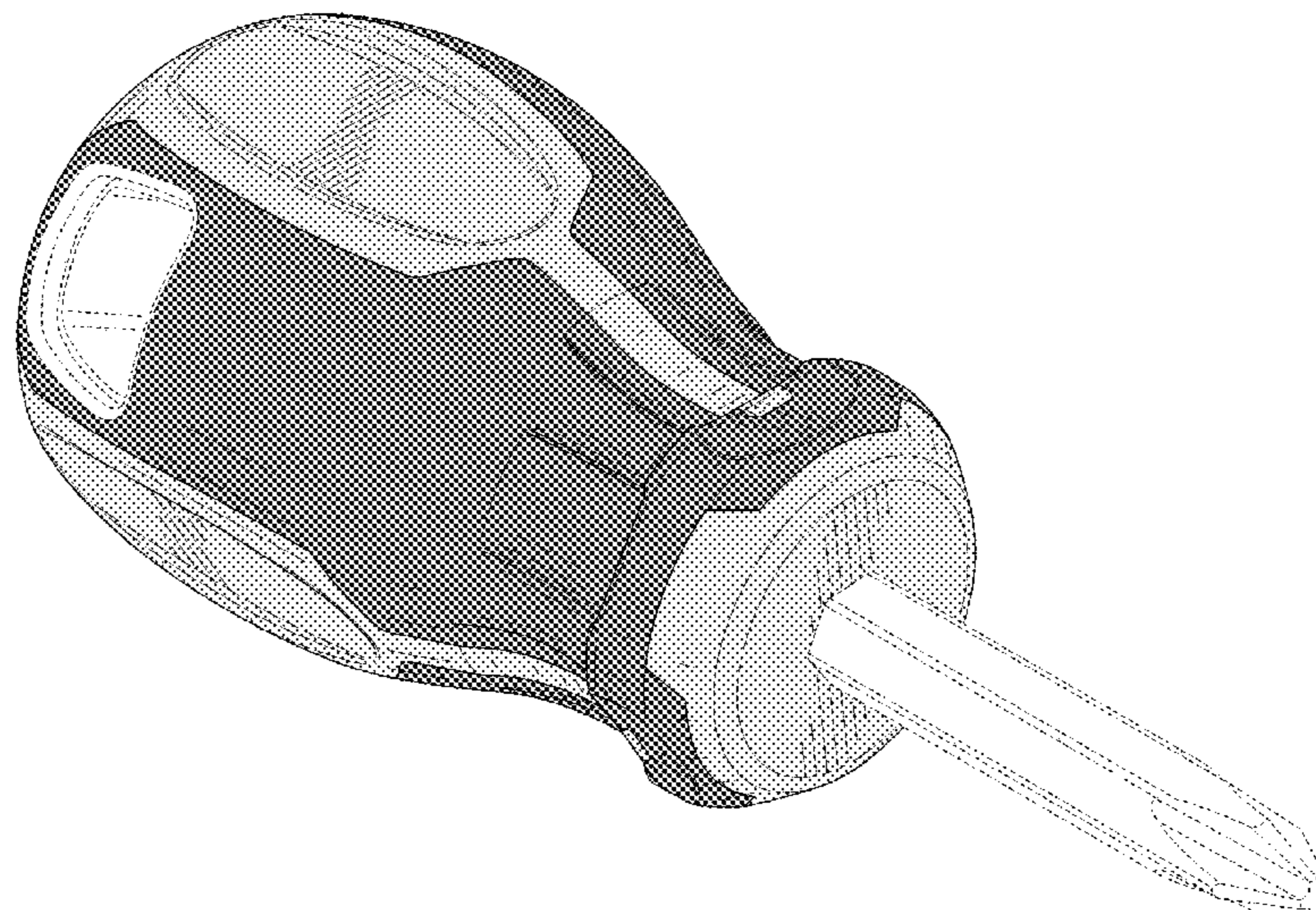
(57) **CLAIM**
We claim the ornamental design for a screwdriver, as shown.

(56) **References Cited**
U.S. PATENT DOCUMENTS
D197,501 S 2/1964 Huxtable
D340,633 S 10/1993 Badiali
D363,012 S 10/1995 Humphries
D408,252 S 4/1999 Holland-Lentz
D412,096 S 7/1999 Kung
D421,887 S 3/2000 Hung
D424,904 S 5/2000 Hasan
D441,269 S 5/2001 Tsai
D452,423 S 12/2001 Shimansky
D463,243 S 9/2002 Lisle
D468,183 S * 1/2003 Hu D8/83

DESCRIPTION

FIG. 1 is a perspective view of a screwdriver according to an embodiment of the invention.
FIG. 2 is a front side view of the screwdriver of FIG. 1.
FIG. 3 is a back side view of the screwdriver of FIG. 1.
FIG. 4 is a first side view of the screwdriver of FIG. 1.
FIG. 5 is a second side view of the screwdriver of FIG. 1.
FIG. 6 is a third side view of the screwdriver of FIG. 1; and, FIG. 7 is a fourth side view of the screwdriver of FIG. 1.
The broken lines depict portions of the screwdriver in which the design is embodied that are not considered part of the claimed design.

1 Claim, 6 Drawing Sheets



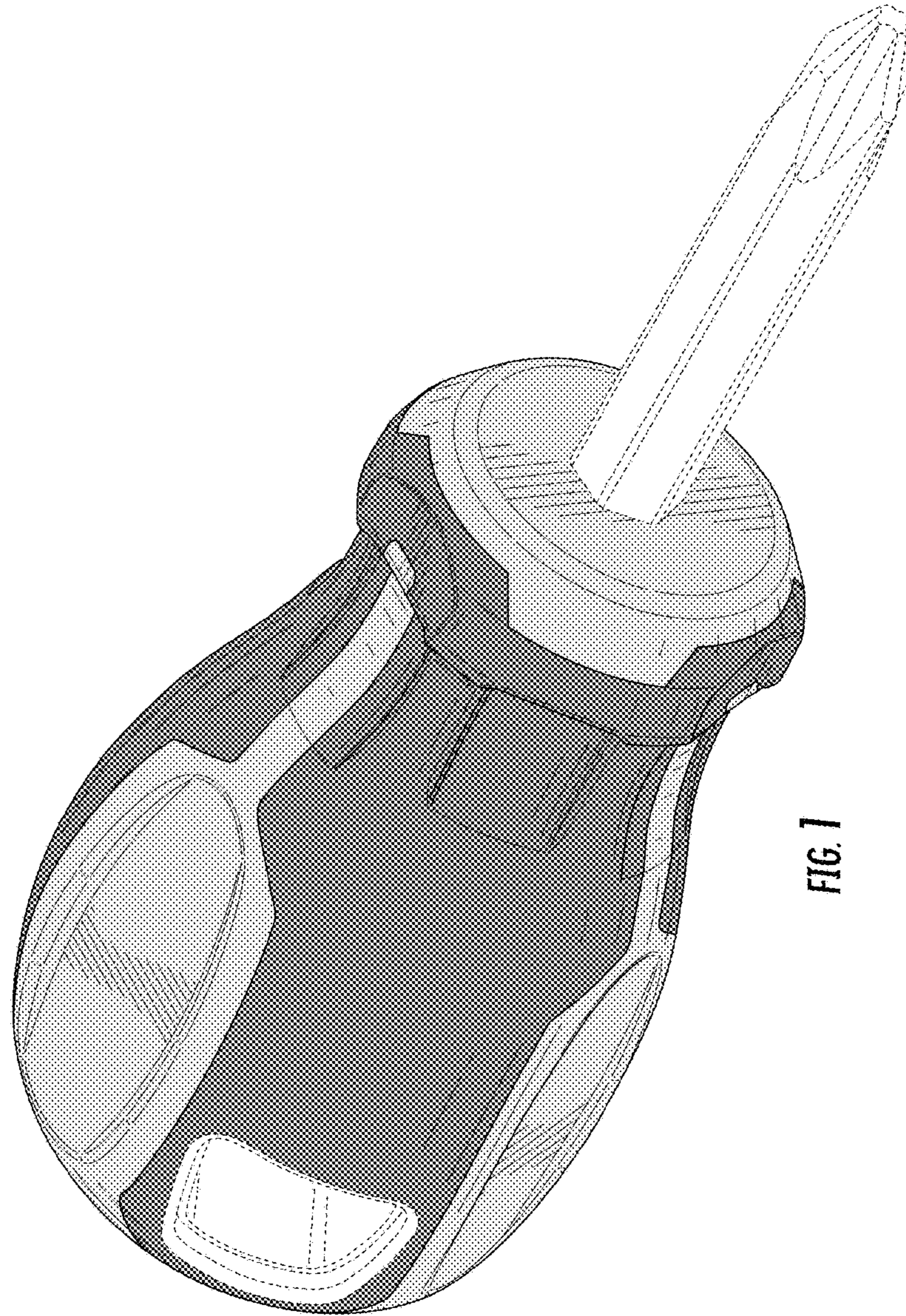


FIG. 1

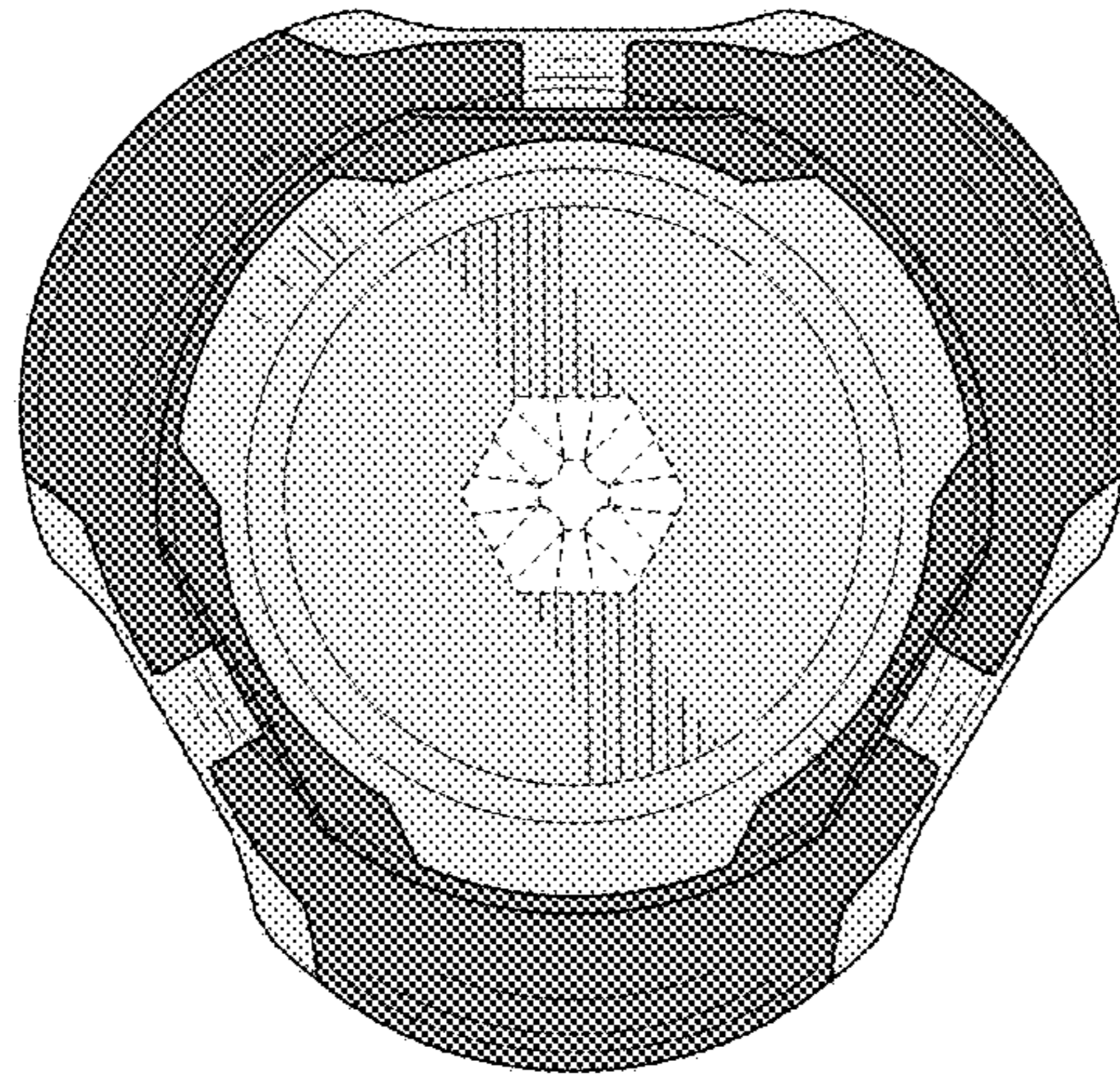


FIG. 2

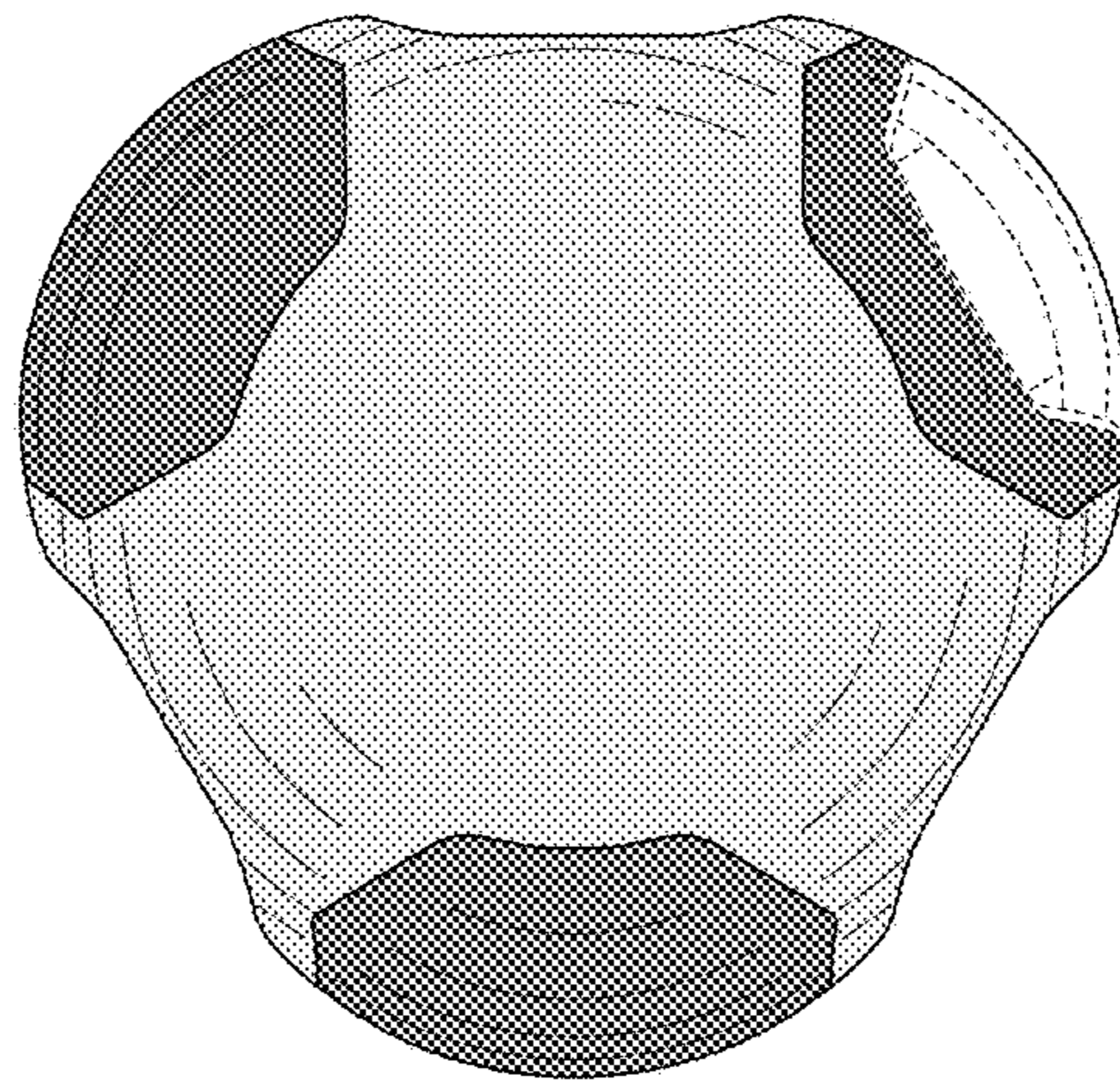


FIG. 3

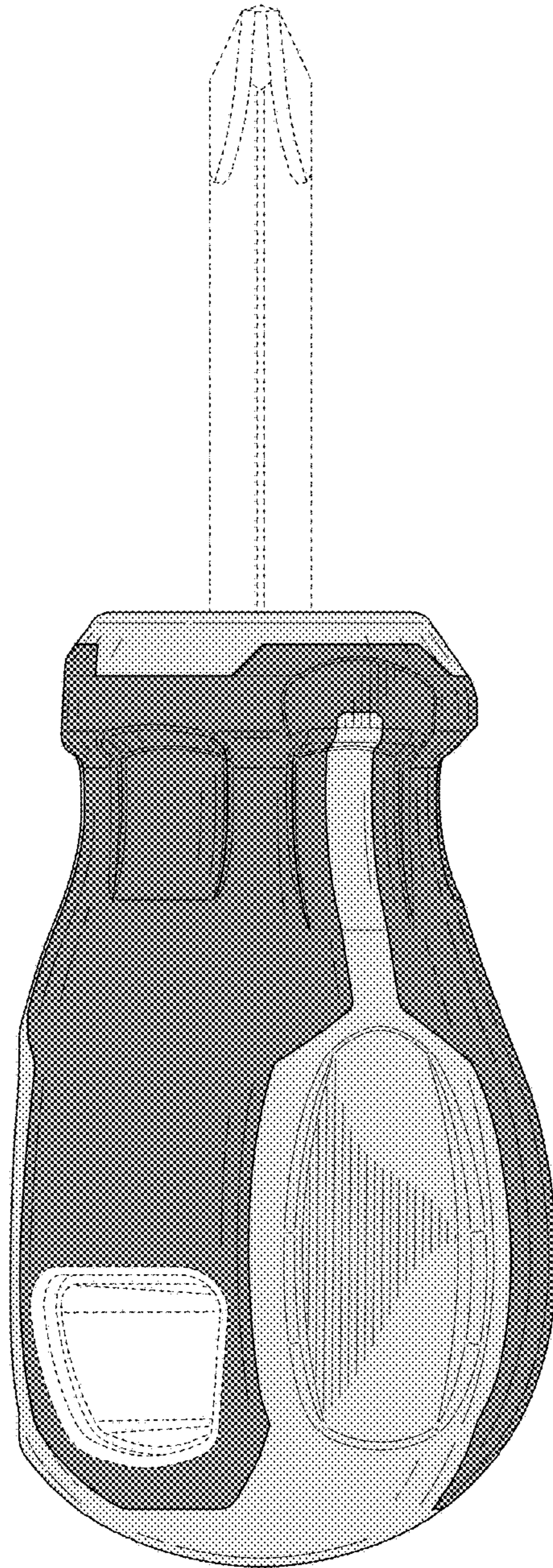


FIG. 4

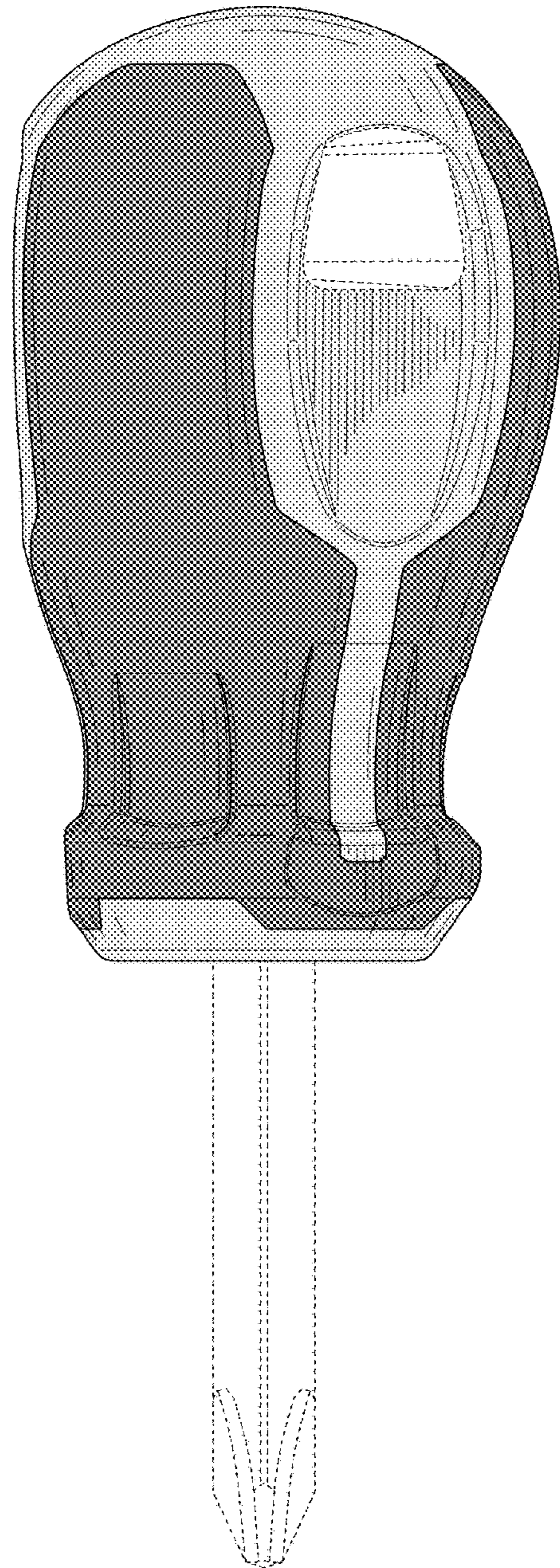


FIG. 5

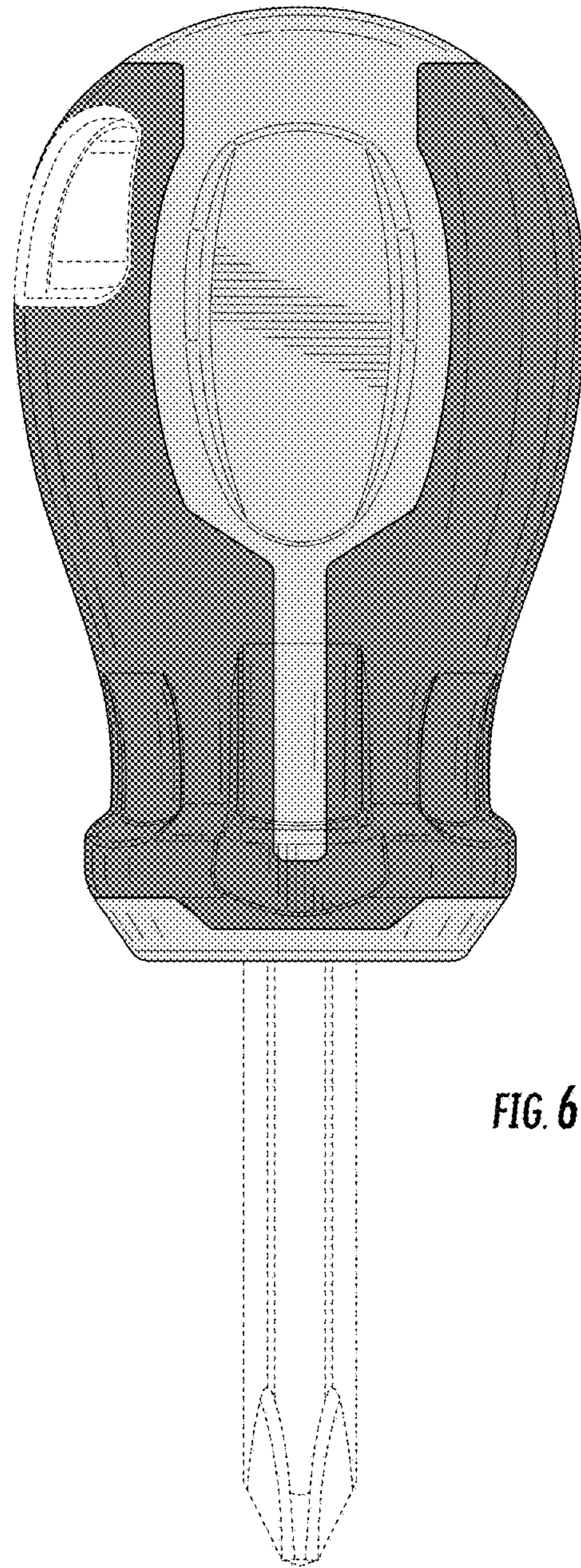


FIG. 6

