



US00D858242S

(12) **United States Design Patent** (10) **Patent No.:** **US D858,242 S**
Lund et al. (45) **Date of Patent:** **** Sep. 3, 2019**

- (54) **MOUNTING CLAMP DEVICE** D370,172 S 5/1996 Rohaly
- (71) Applicant: **Drägerwerk AG & Co. KGaA,** 5,588,166 A 12/1996 Burnett
Luebeck (DE) 5,829,723 A 11/1998 Brunner et al.
D440,853 S 4/2001 Welsh et al.
6,342,138 B1 * 1/2002 Brown C25D 17/06
204/297.01
- (72) Inventors: **Peter Andrew Lund,** Nashua, NH D492,587 S 7/2004 Eason
(US); **Ashleigh C. Collins,** Derry, NH D540,466 S 4/2007 Homra et al.
(US) D543,820 S 6/2007 Brass et al.
D544,565 S * 6/2007 Campbell D22/110
- (73) Assignee: **Drägerwerk AG & Co. KGaA** (DE) D564,871 S * 3/2008 Pitcher D8/395
7,386,922 B1 * 6/2008 Taylor E04D 13/10
24/525
- (**) Term: **15 Years** D597,813 S * 8/2009 Livingston, Jr. D8/72
D629,679 S 12/2010 Riddell et al.
- (21) Appl. No.: **29/658,516** 7,866,617 B2 1/2011 Patzer
- (22) Filed: **Jul. 31, 2018** 8,167,259 B2 5/2012 Spang et al.
8,241,093 B2 8/2012 Piguet

(Continued)

Related U.S. Application Data

- (62) Division of application No. 29/538,820, filed on Sep. 8, 2015, now Pat. No. Des. 829,072.
- (51) **LOC (12) Cl.** **08-05**
- (52) **U.S. Cl.**
USPC **D8/72**
- (58) **Field of Classification Search**
USPC D8/71-74, 394-399, 59; 248/63, 72,
248/74.1, 689, 124.2; 81/487, 385, 386,
81/388-390; 269/3, 4, 6, 143, 165, 240,
269/243, 246-249, 254 R, 147-149;
29/256, 257, 276; 408/103, 104-109
CPC B25B 1/00; B25B 5/00
See application file for complete search history.

FOREIGN PATENT DOCUMENTS

- FR 770507 9/1934
- GB 1280979 7/1972

(Continued)

Primary Examiner — David G Muller
(74) *Attorney, Agent, or Firm* — Design IP

(57) **CLAIM**

The ornamental design for a mounting clamp device, as shown and described.

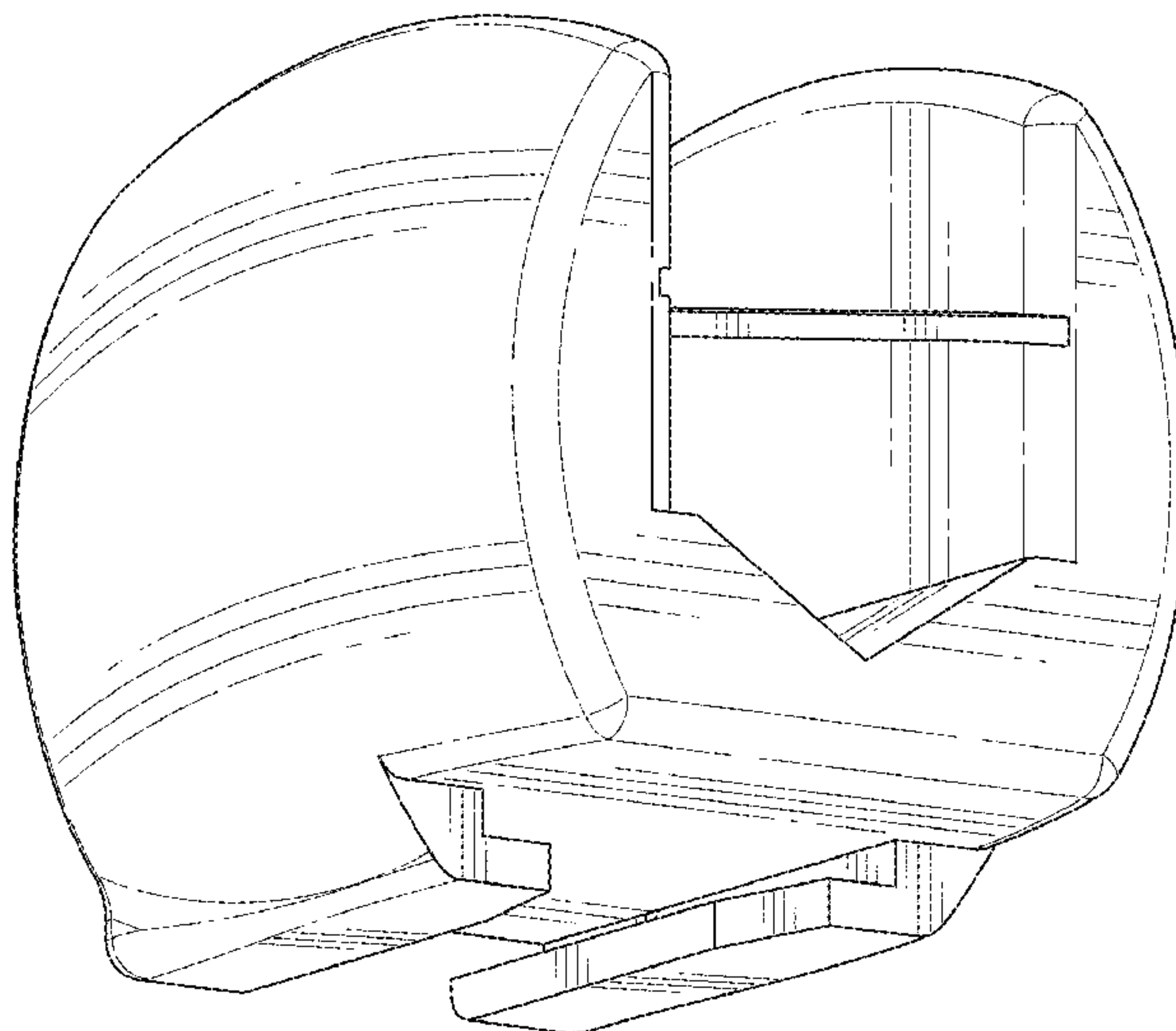
DESCRIPTION

FIG. 1 is a perspective view of a mounting clamp device; FIG. 2 is a top plan view thereof; FIG. 3 is a bottom view thereof; FIG. 4 is a side view thereof; FIG. 5 is a side view thereof; FIG. 6 is a rear view thereof; and, FIG. 7 is a front view thereof.

1 Claim, 7 Drawing Sheets

(56) **References Cited**
U.S. PATENT DOCUMENTS

- 4,674,722 A 6/1987 Danby et al.
- 4,844,397 A 7/1989 Chan et al.
- 5,169,106 A 12/1992 Rasmussen
- 5,271,194 A * 12/1993 Drew E04D 13/10
248/231.71
- 5,332,184 A 7/1994 Davis



(56)

References Cited

U.S. PATENT DOCUMENTS

D677,141 S * 3/2013 Gordon D8/74
D680,843 S 4/2013 Onello et al.
D682,653 S 5/2013 Coope et al.
D696,104 S 12/2013 Kampl
D696,106 S * 12/2013 Tachibana D8/395
D713,711 S 9/2014 Yang
9,079,464 B2 * 7/2015 Onello B25B 1/103
2006/0278781 A1 12/2006 Homra et al.
2007/0193189 A1 * 8/2007 Bennett E04C 5/168
52/677
2008/0251660 A1 * 10/2008 Spyker B63C 15/00
248/176.1
2009/0152419 A1 6/2009 Wallace
2010/0058701 A1 * 3/2010 Yao E04D 13/10
52/547
2010/0314517 A1 12/2010 Patzer
2012/0169000 A1 * 7/2012 Lin B25B 1/106
269/216
2013/0206938 A1 8/2013 Clouser

FOREIGN PATENT DOCUMENTS

WO PCT/US2015/048958 9/2015
WO WO 2013161711 A1 12/2015

* cited by examiner

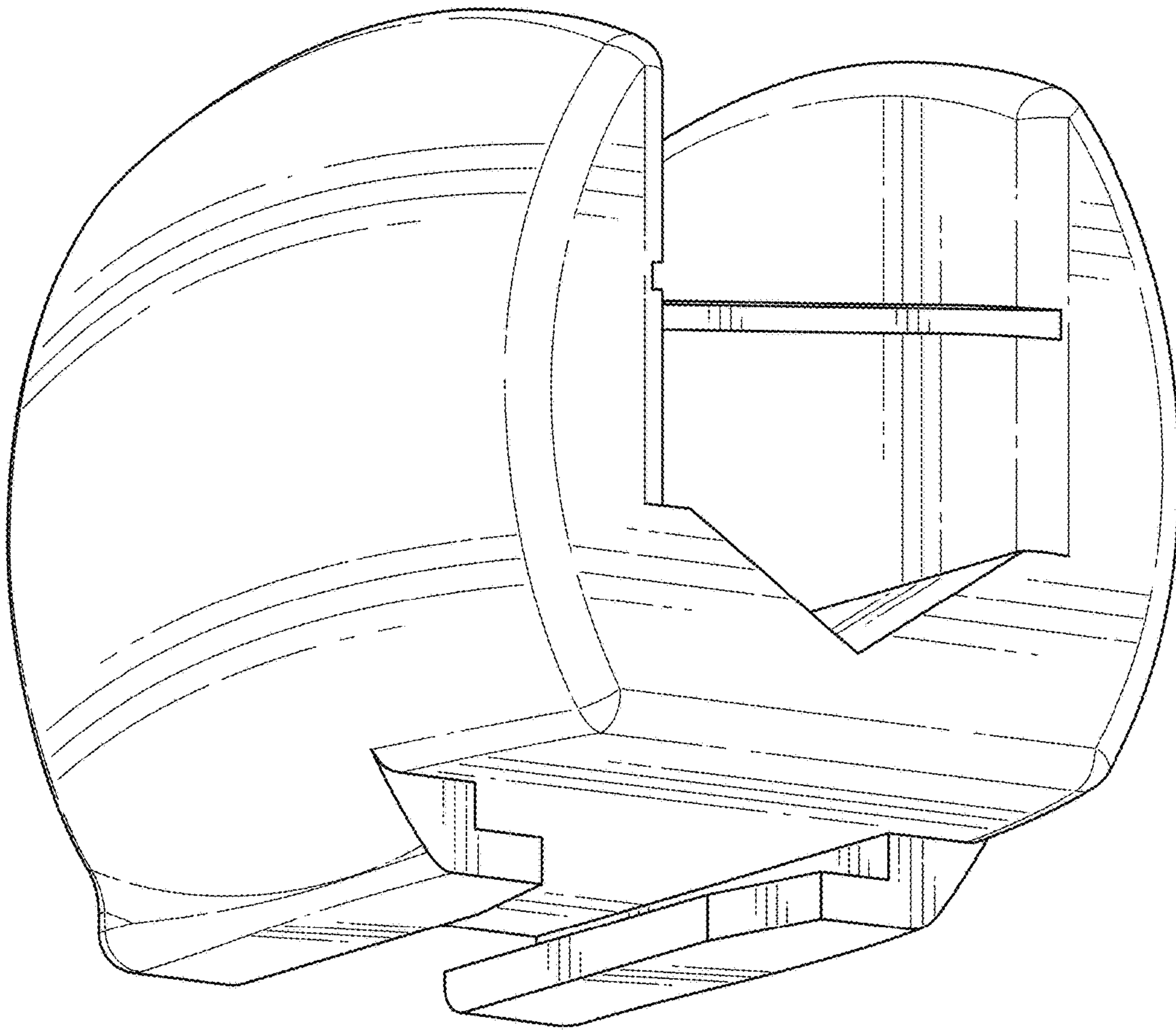


FIG. 1

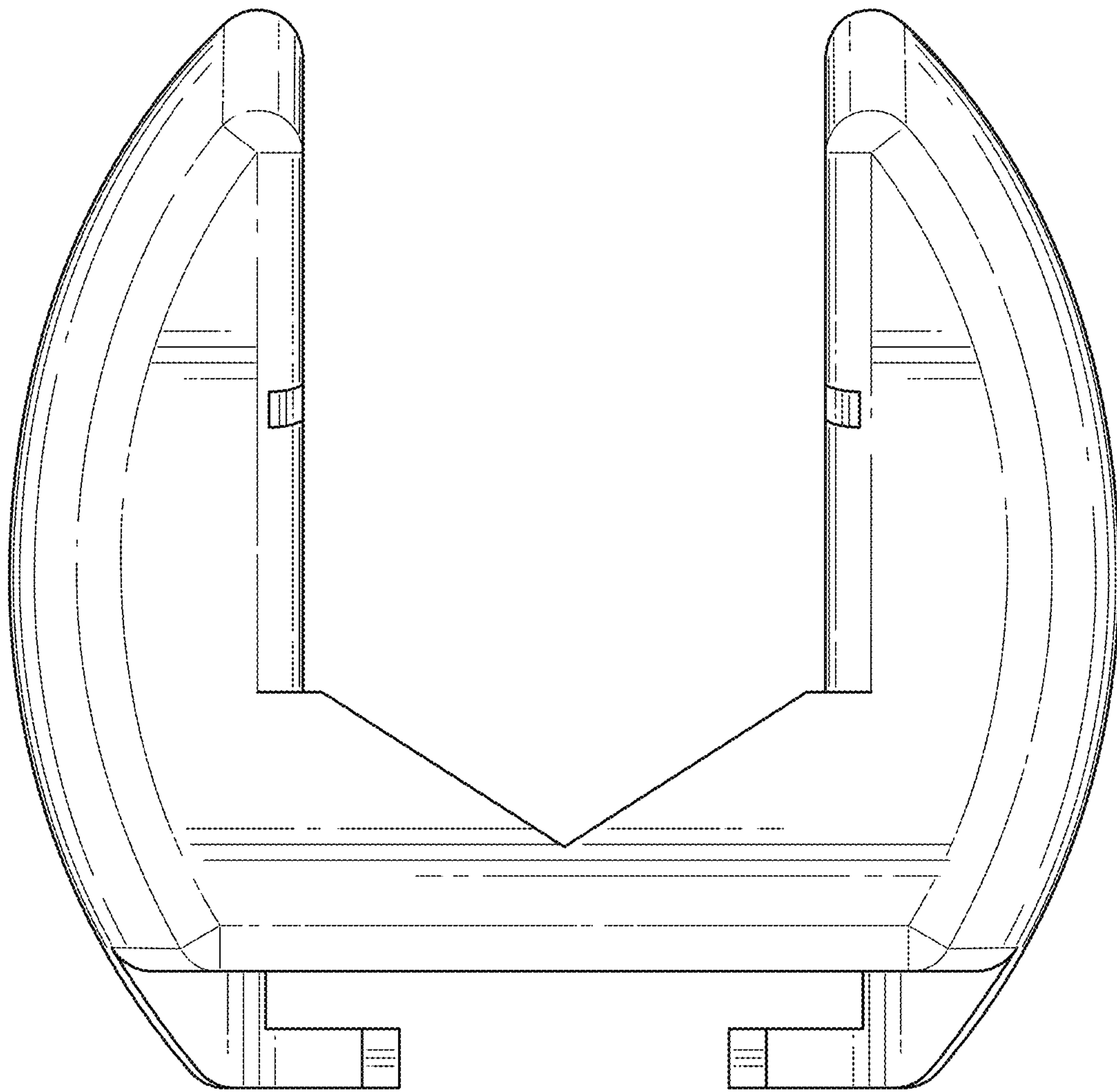


FIG. 2

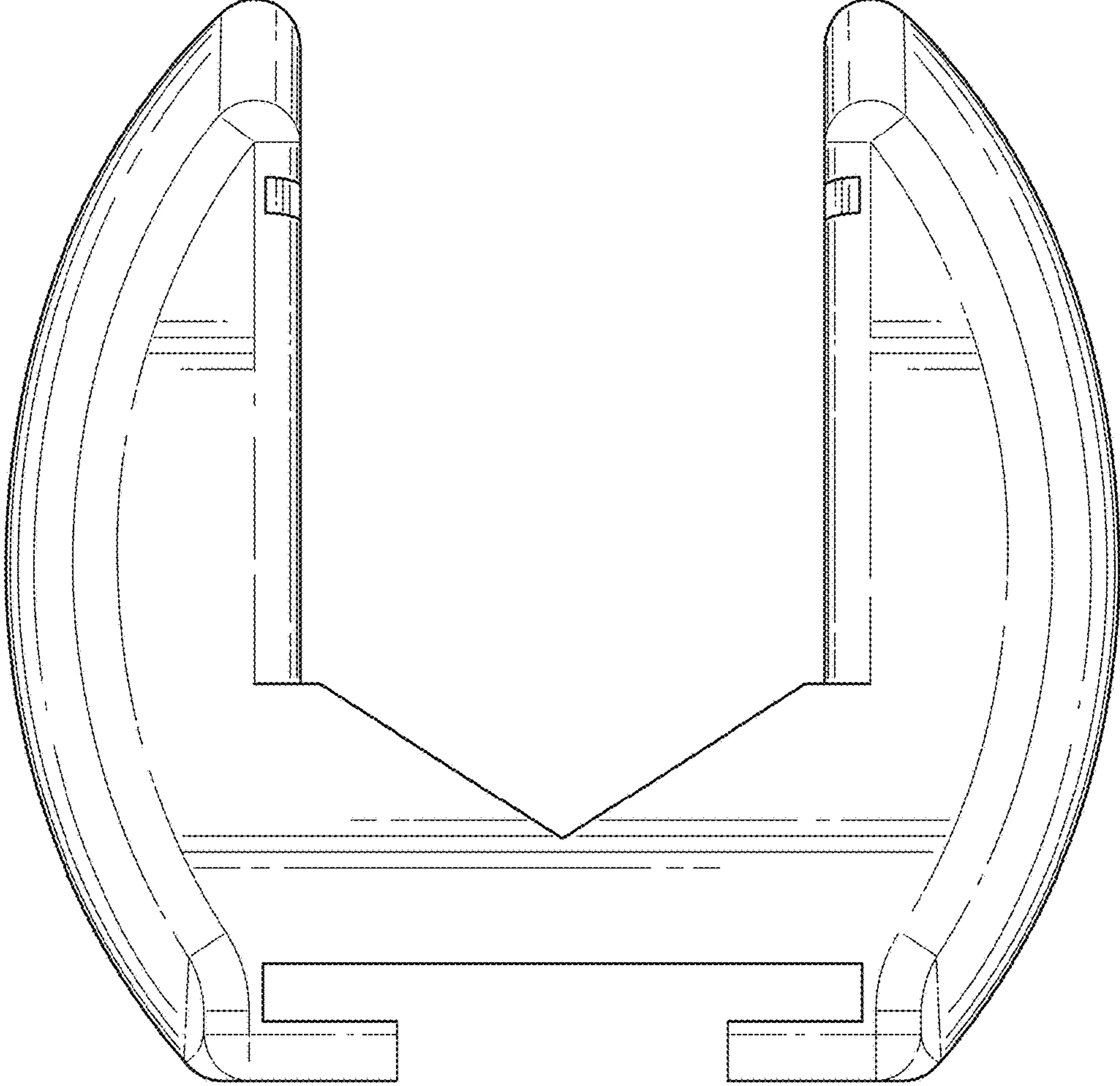


FIG. 3

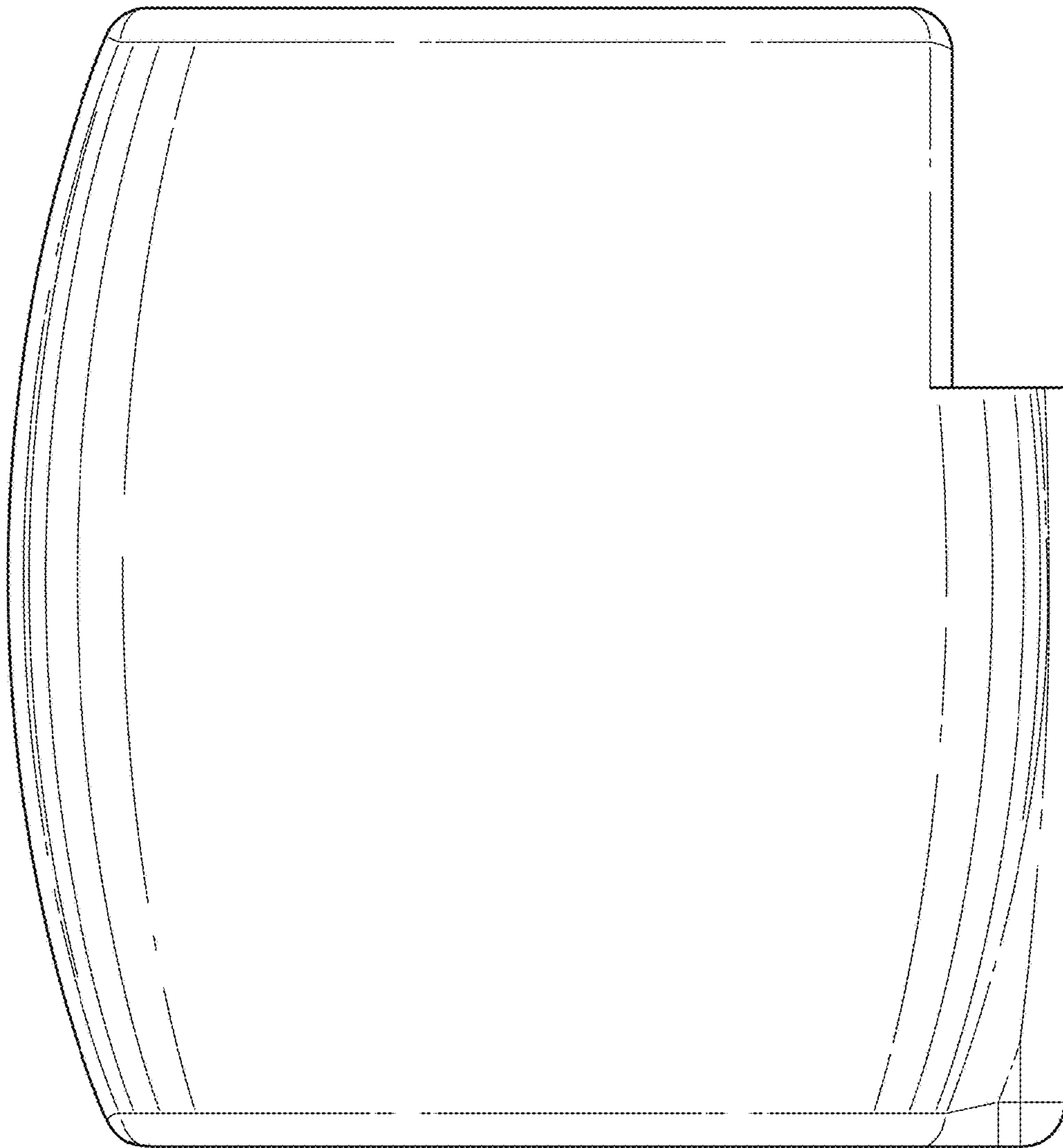


FIG. 4

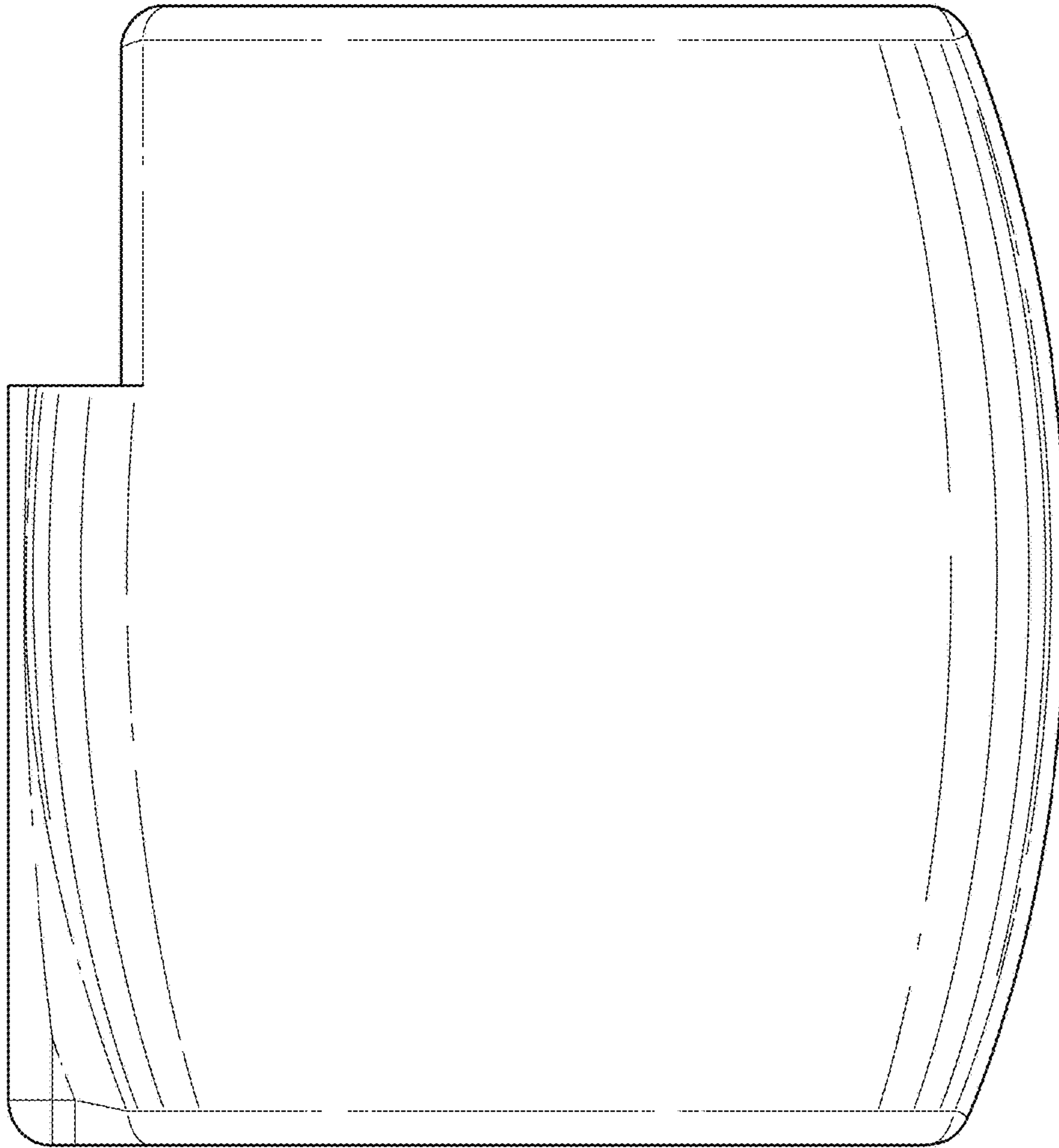


FIG. 5

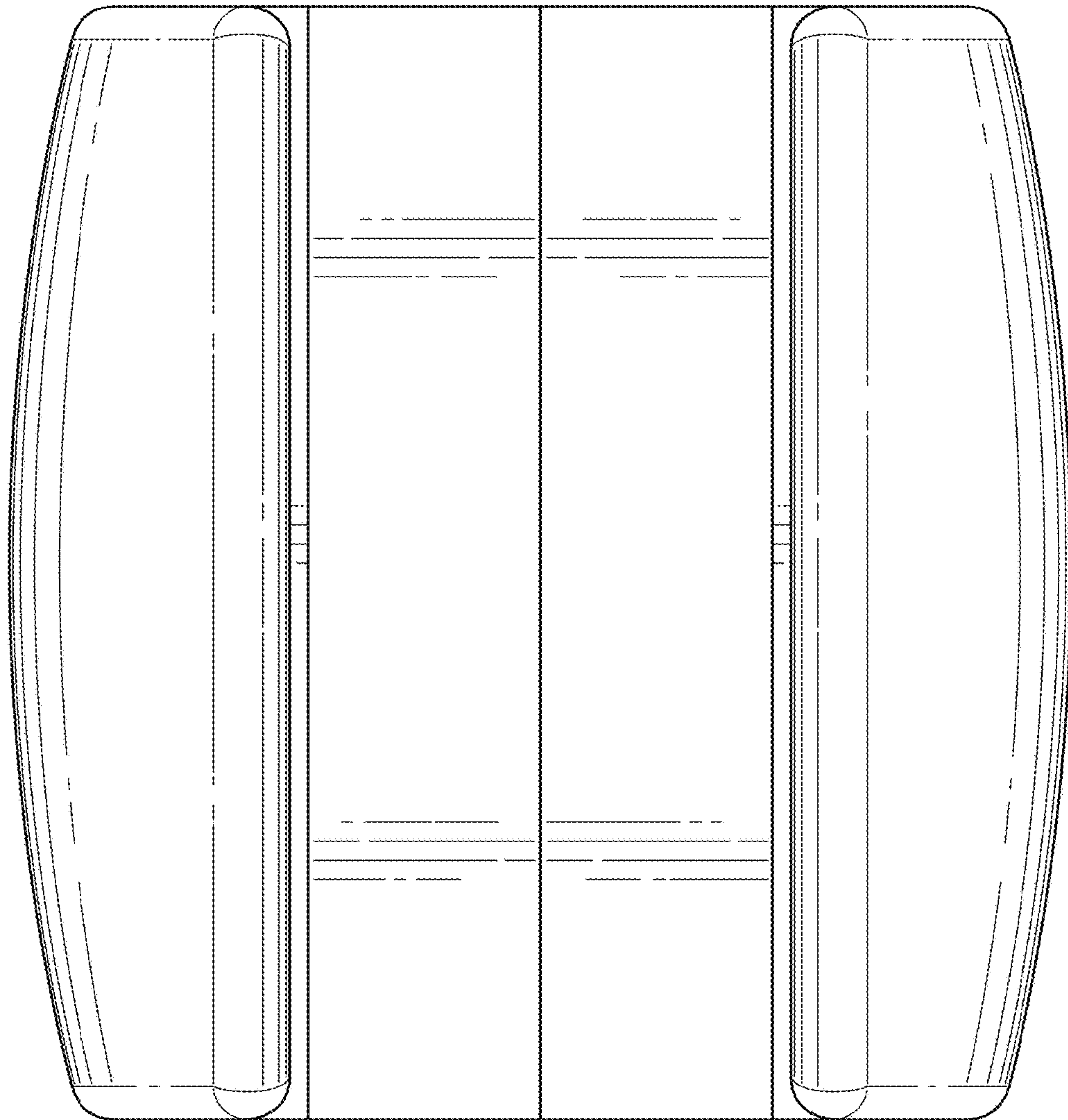


FIG. 6

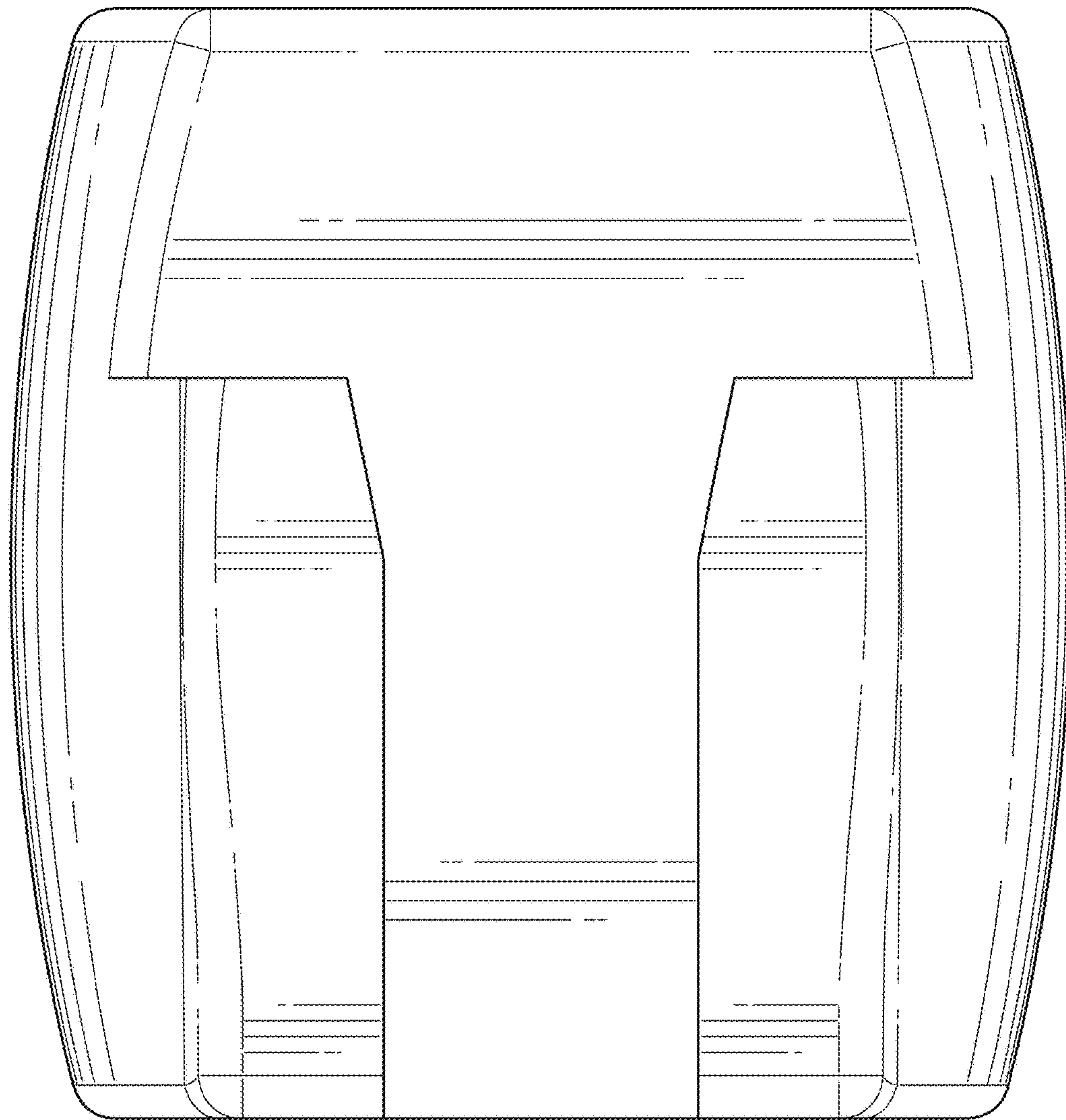


FIG. 7