



US00D858239S

(12) **United States Design Patent**
Hattori

(10) **Patent No.:** **US D858,239 S**

(45) **Date of Patent:** **** Sep. 3, 2019**

(54) **BINDING TOOL**

(71) Applicant: **MAX CO., LTD.**, Chuo-ku, Tokyo (JP)

(72) Inventor: **Takeo Hattori**, Tokyo (JP)

(73) Assignee: **MAX CO., LTD.**, Tokyo (JP)

(**) Term: **15 Years**

(21) Appl. No.: **29/634,055**

(22) Filed: **Jan. 18, 2018**

(51) **LOC (12) Cl.** **08-03**

(52) **U.S. Cl.**
USPC **D8/68**

(58) **Field of Classification Search**
USPC D8/61, 68, 69, 44, 51
CPC B65B 13/285; E04G 21/123; E04G 21/122
See application file for complete search history.

(56) **References Cited**

U.S. PATENT DOCUMENTS

5,279,336	A *	1/1994	Kusakari	E04G 21/123	140/57
D352,438	S *	11/1994	Hattori	D8/68	
D403,937	S *	1/1999	Hattori	D8/68	
6,401,766	B1 *	6/2002	Ishikawa	B65B 13/285	140/119
D481,602	S *	11/2003	Hattori	D8/68	
D619,437	S *	7/2010	Hattori	D8/68	

7,819,143 B2 * 10/2010 Nagaoka B65B 13/285
140/57

2009/0283170 A1 * 11/2009 Nagaoka E04G 21/123
140/119

2011/0146833 A1 * 6/2011 Kusakari E04G 21/123
140/111

* cited by examiner

Primary Examiner — Philip S Hyder

(74) *Attorney, Agent, or Firm* — Drinker Biddle & Reath
LLP

(57) **CLAIM**

The ornamental design for a binding tool, as shown and described.

DESCRIPTION

FIG. 1 is a perspective view of front and left side of a binding tool showing my new design;

FIG. 2 is a perspective view of rear and left side thereof;

FIG. 3 is a front view thereof;

FIG. 4 is a rear view thereof;

FIG. 5 is a left side view thereof;

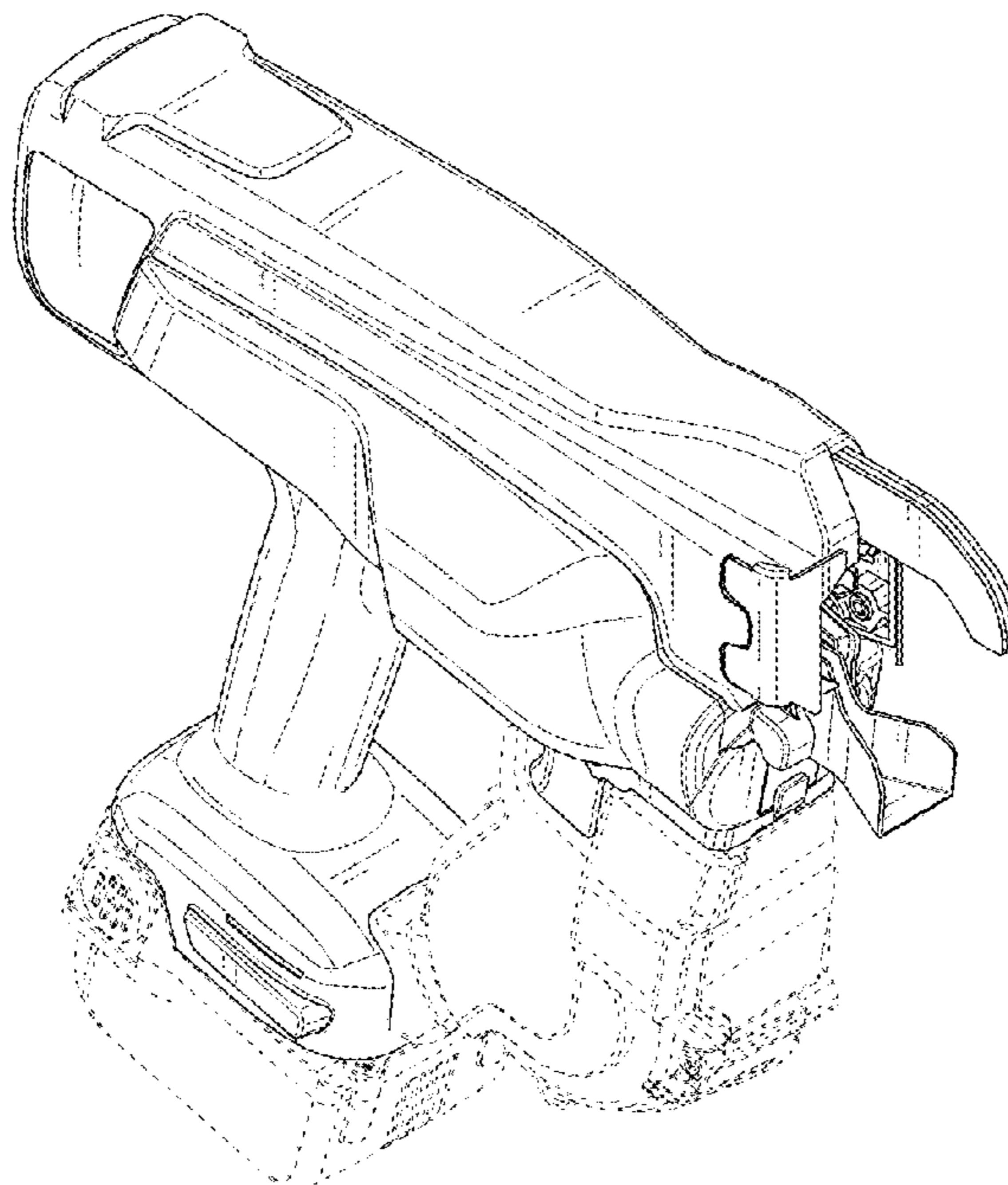
FIG. 6 is a right side view thereof;

FIG. 7 is a top view thereof; and,

FIG. 8 is a bottom view thereof.

The broken lines shown are included for the purpose of illustrating the portions of a binding tool that form no part of the claimed design.

1 Claim, 6 Drawing Sheets



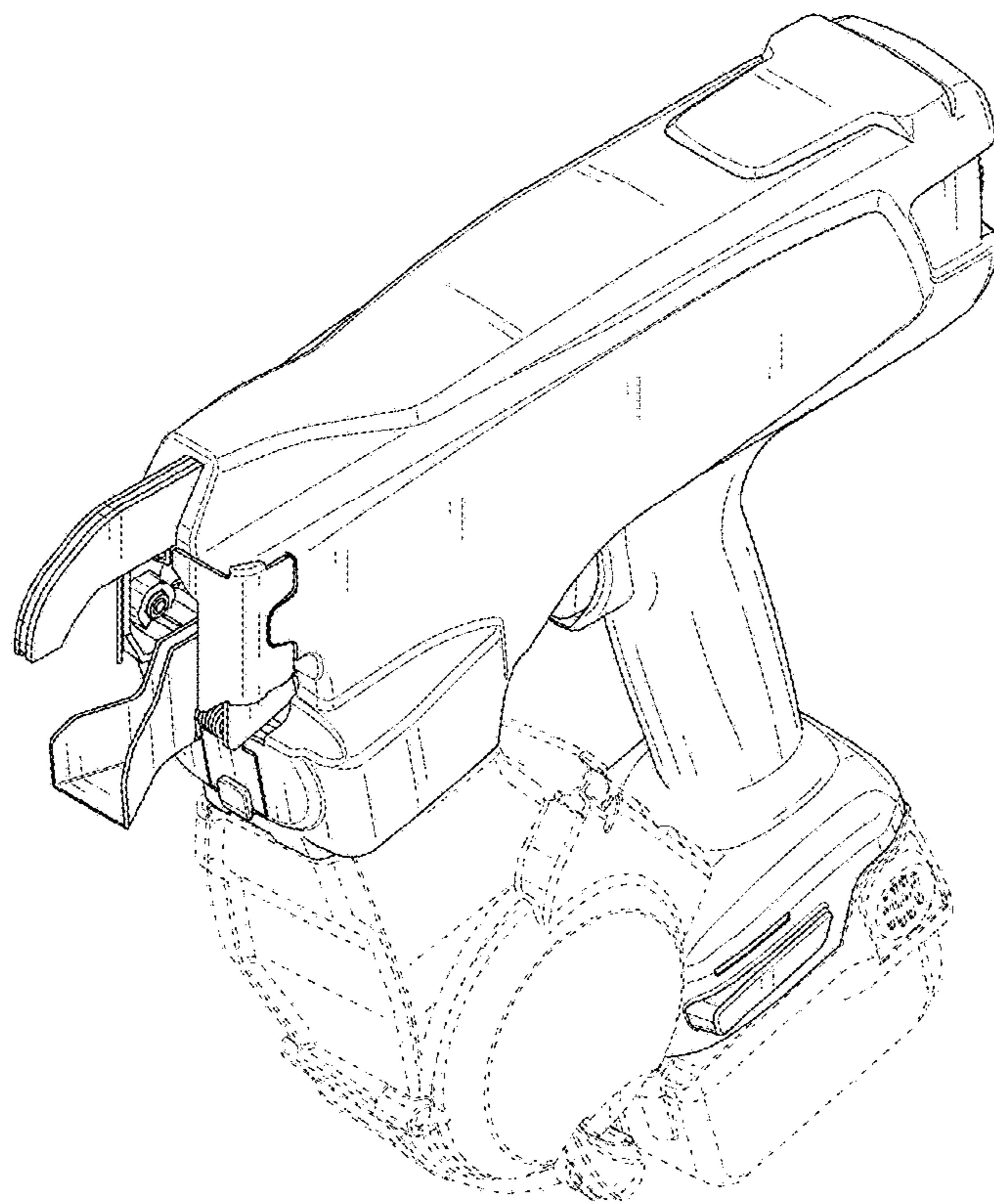


FIG. 1

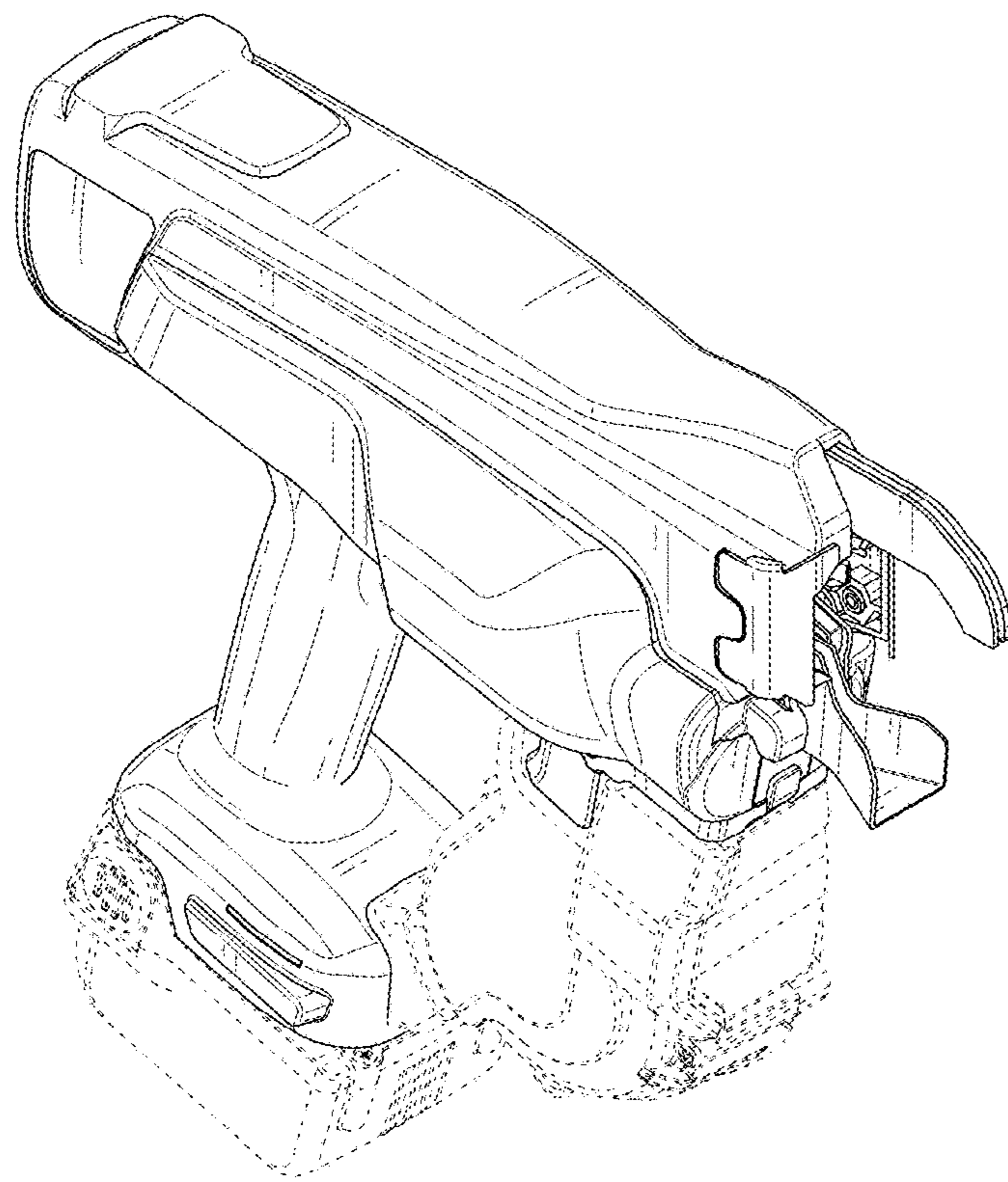


FIG. 2

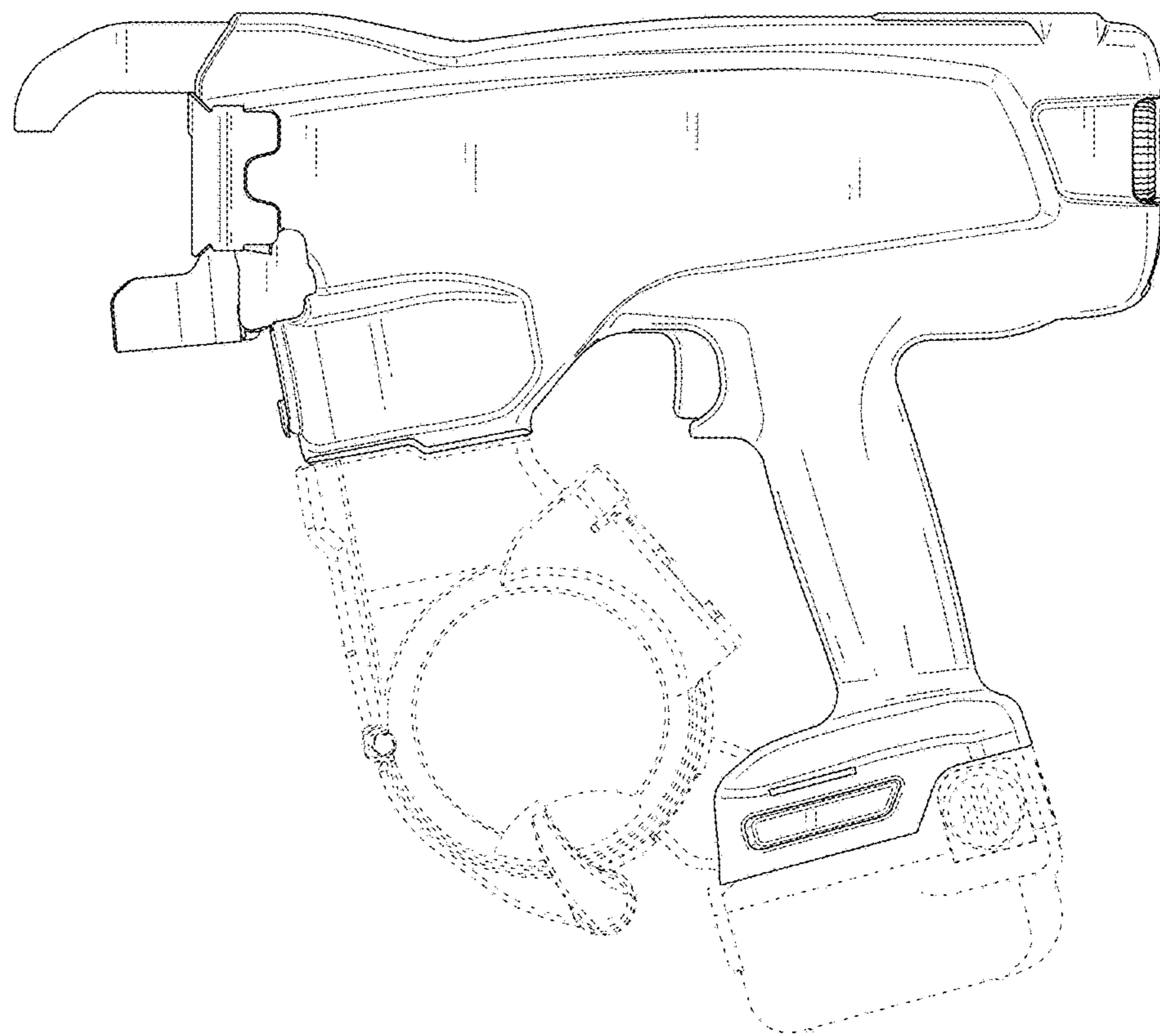


FIG. 3

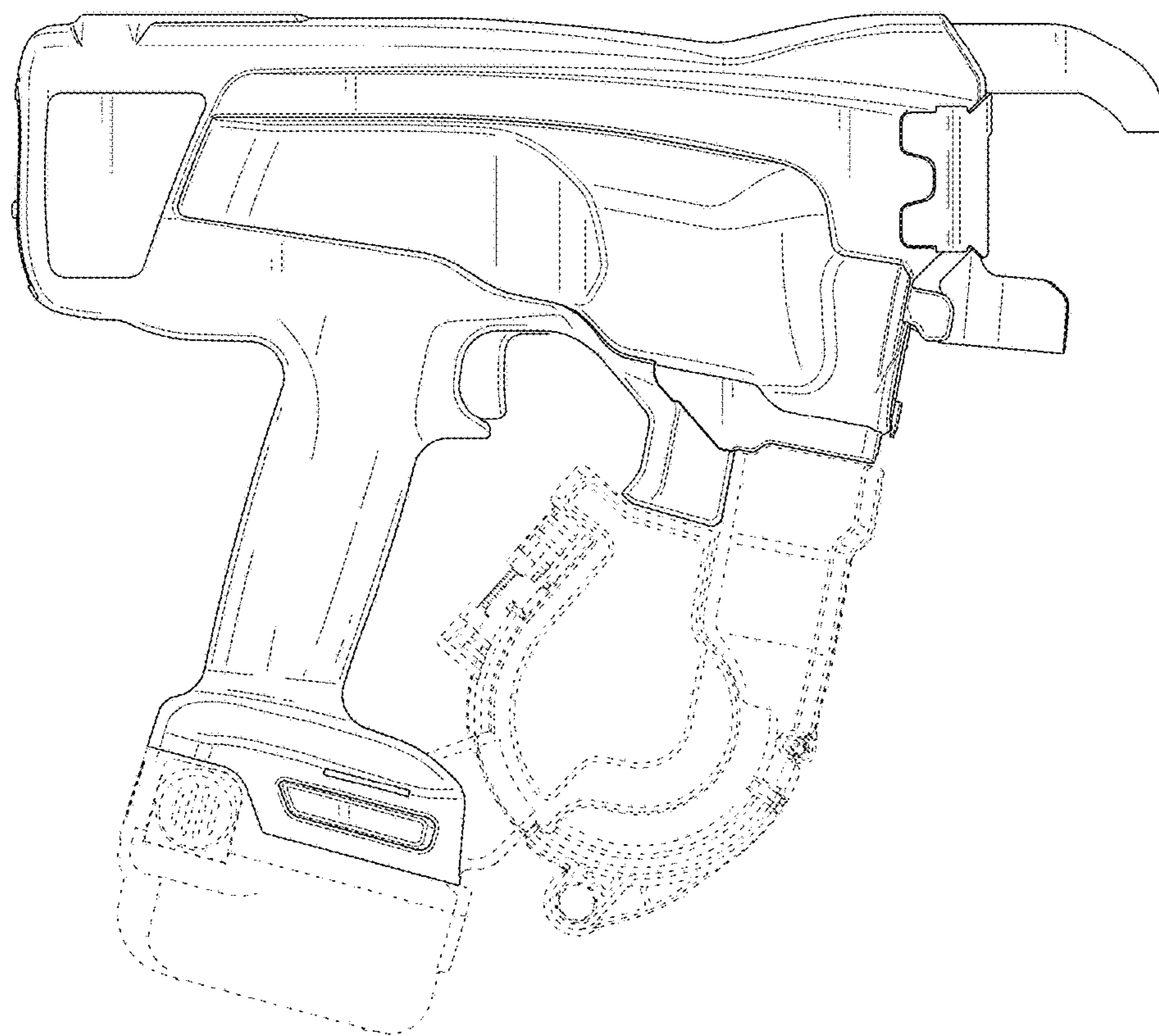


FIG. 4

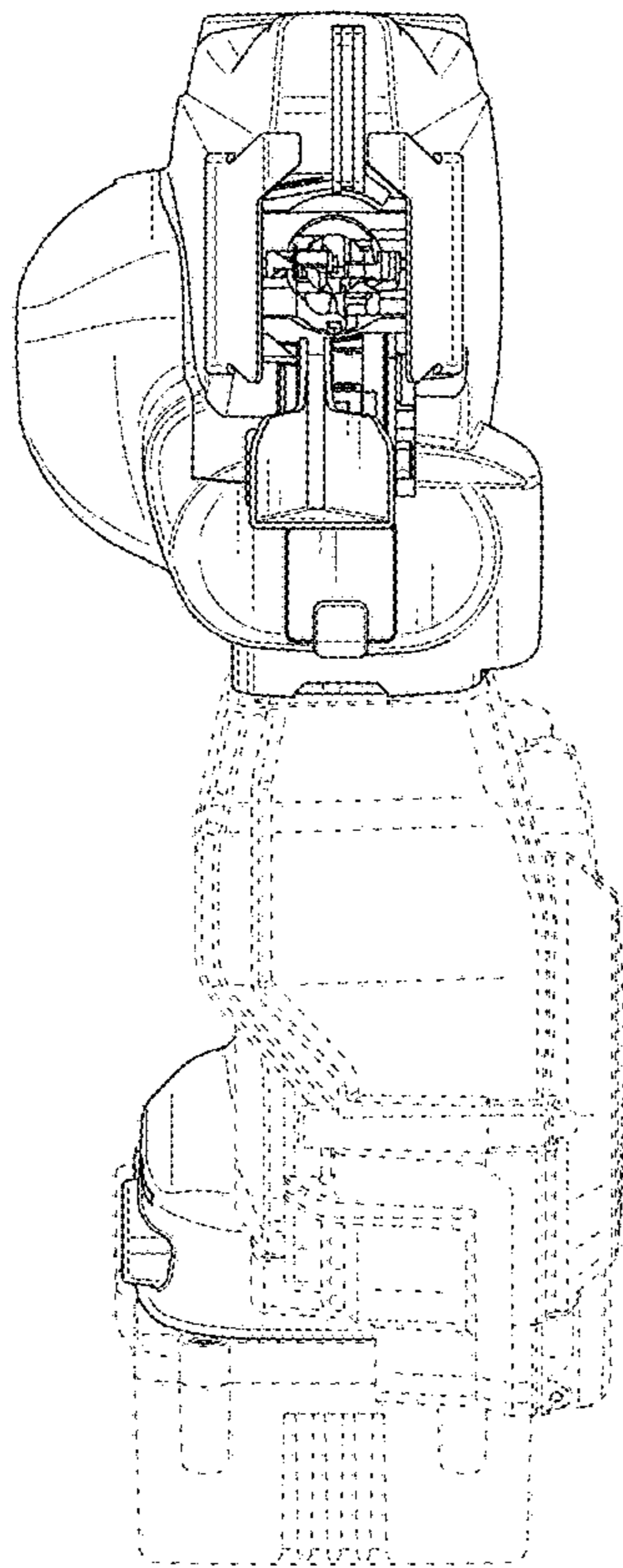


FIG. 5

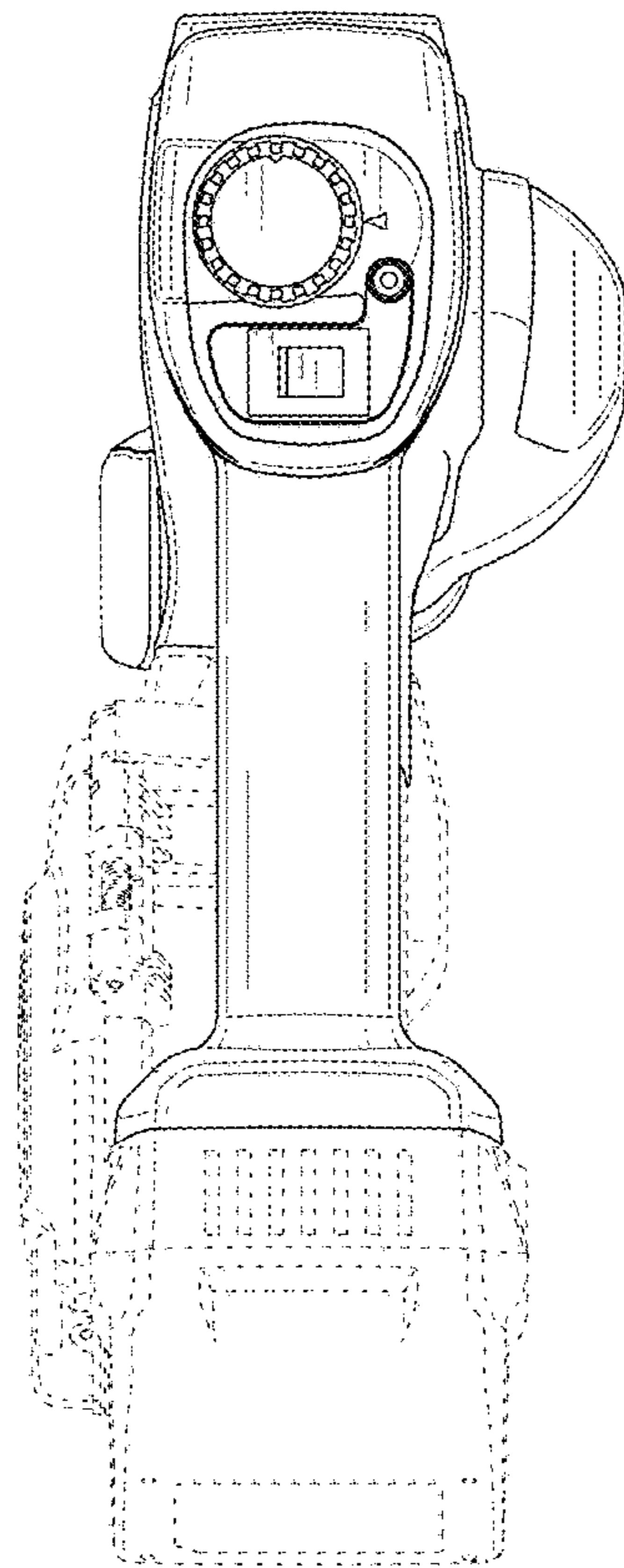


FIG. 6

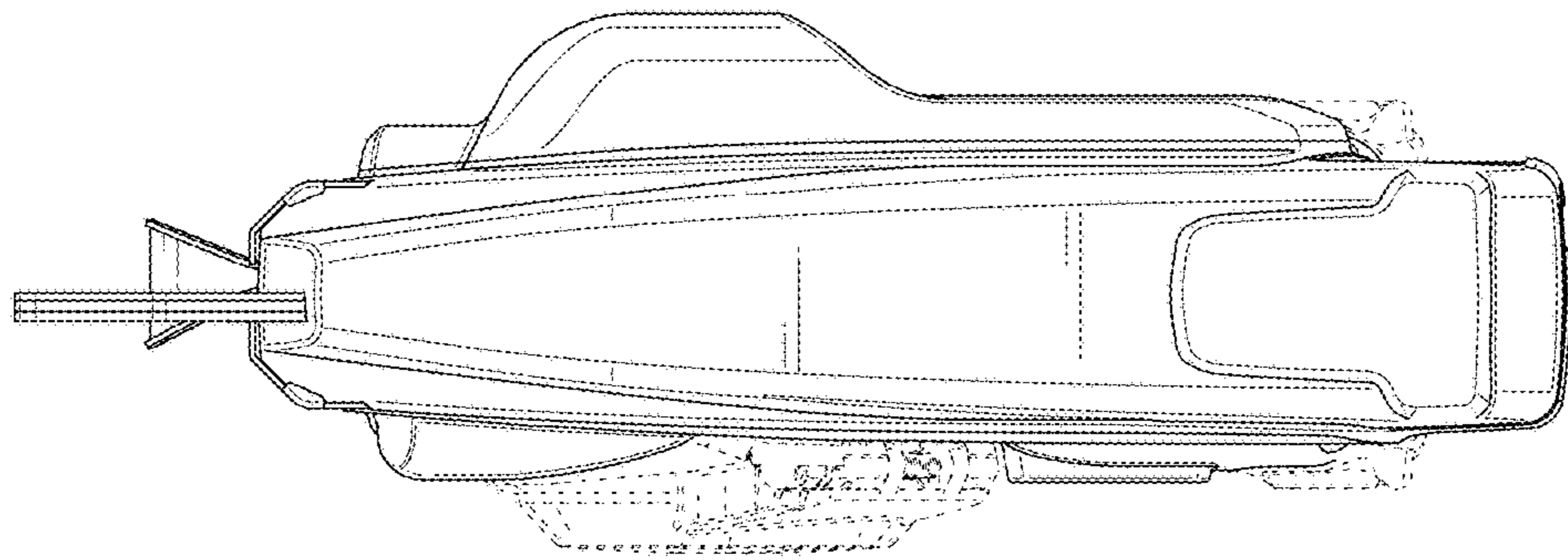


FIG. 7

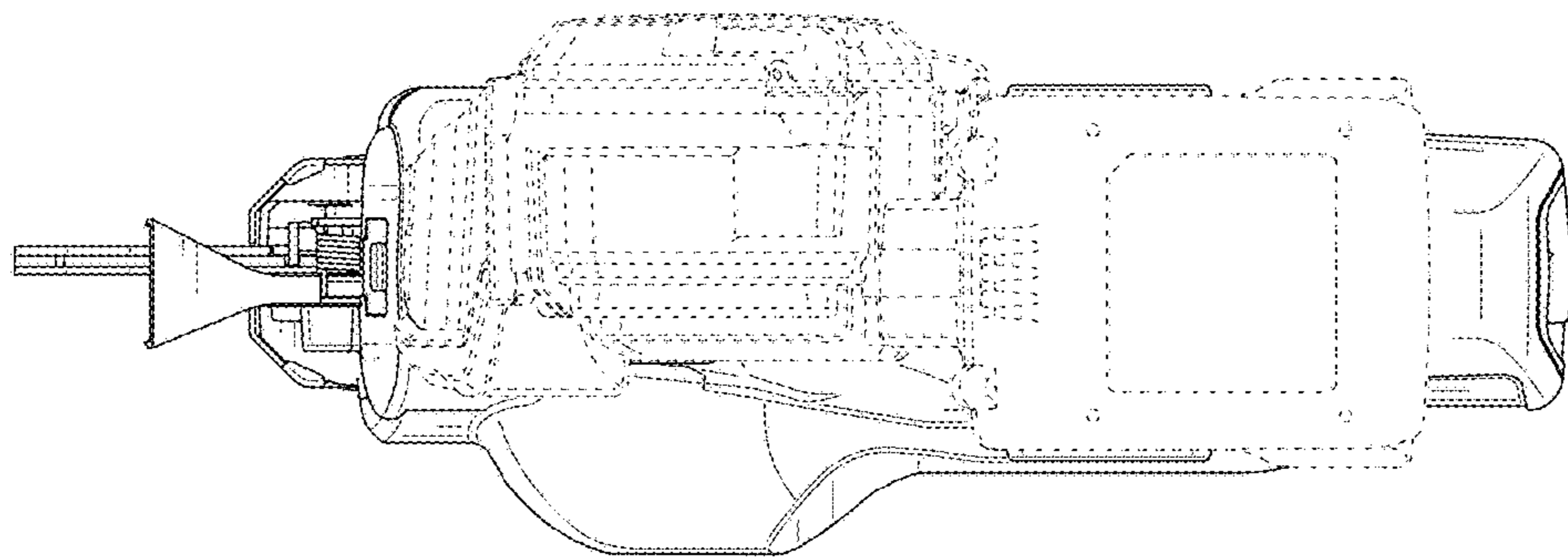


FIG. 8